



US00D609249S

(12) **United States Design Patent**
Foreman et al.

(10) **Patent No.:** **US D609,249 S**

(45) **Date of Patent:** **** Feb. 2, 2010**

(54) **PUMP INTAKE COMPONENT**

(75) Inventors: **Michael Christopher Foreman**,
Northmead (AU); **Kevin Edward**
Burgess, Carlingford (AU)

(73) Assignee: **Weir Minerals Australia, Ltd.**,
Artarmon, NSW (AU)

(**) Term: **14 Years**

(21) Appl. No.: **29/313,843**

(22) Filed: **Feb. 13, 2009**

(30) **Foreign Application Priority Data**

Aug. 14, 2008 (AU) 13902/2008

(51) **LOC (9) Cl.** **15-02**

(52) **U.S. Cl.** **D15/7**

(58) **Field of Classification Search** D15/7-9;
D23/231, 232, 225; 417/410.1, 359, 415-416,
417/234, 321, 265, 405

See application file for complete search history.

(56) **References Cited**

U.S. PATENT DOCUMENTS

D178,105 S *	6/1956	Zulinke	D15/9
D245,005 S *	7/1977	Carter	D15/9
D247,967 S *	5/1978	Hartnett	D15/7
D258,508 S *	3/1981	Serrambana	D15/7
D273,383 S *	4/1984	Griggs, Jr.	D15/7
D293,912 S *	1/1988	Wilgus et al.	D15/7

D368,600 S *	4/1996	Riboldi	D6/381
D429,735 S *	8/2000	Versaw et al.	D15/7
D469,111 S *	1/2003	Morita et al.	D15/9
D582,441 S *	12/2008	Shimomura et al.	D15/7
D586,826 S *	2/2009	Cantrill et al.	D15/7
D603,878 S *	11/2009	Chu	D15/9

OTHER PUBLICATIONS

“Intake components from the Warman AH Ultra Heavy Duty Slurry Pump brochure.”

* cited by examiner

Primary Examiner—Ralf Seifert

(74) *Attorney, Agent, or Firm*—Morris O’Bryant Compagni

(57) **CLAIM**

The ornamental design for the pump intake component, as shown and described herein.

DESCRIPTION

FIG. 1 is a perspective view of the pump intake component of the invention;

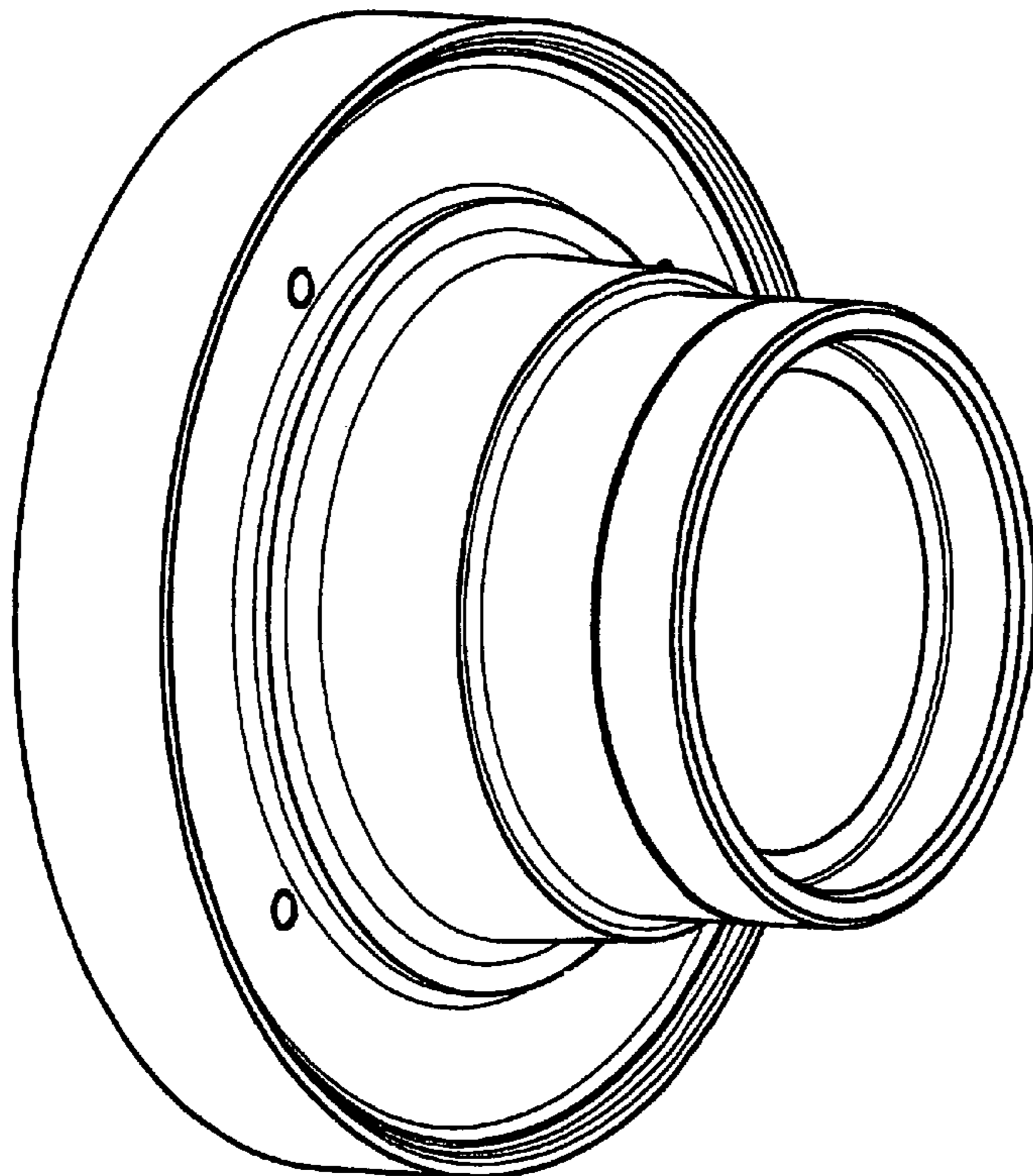
FIG. 2 is a view in elevation of the pump intake component shown in FIG. 1 rotated vertically 45° to the left;

FIG. 3 is a view in elevation of the pump intake component shown in FIG. 2 rotated vertically 180°;

FIG. 4 is a side view of the pump intake component shown in FIG. 1 rotated vertically 90° to the right; and,

FIG. 5 is a perspective view of the pump intake component shown in FIG. 4, rotated 45° to the right.

1 Claim, 5 Drawing Sheets



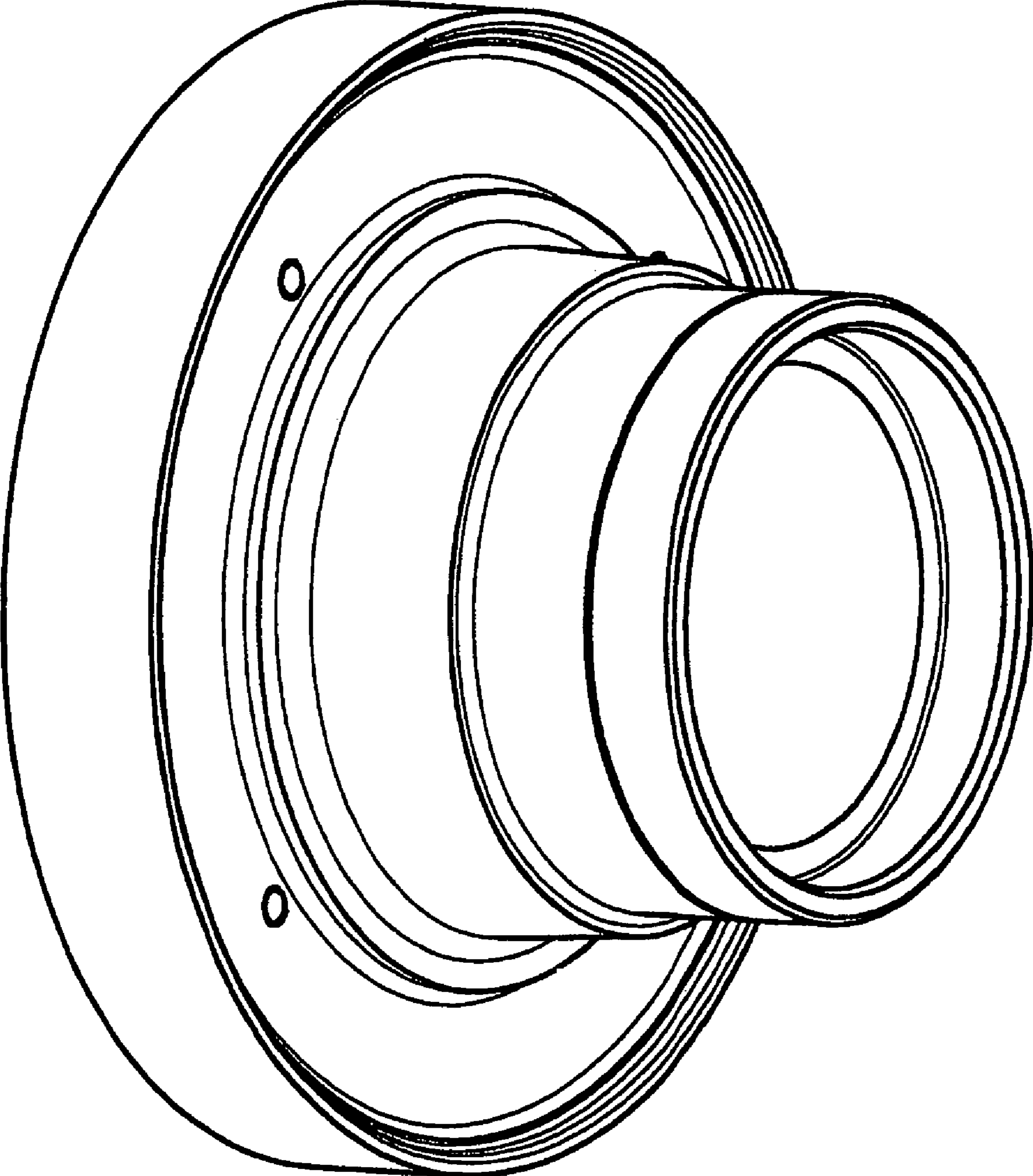


FIG. 1

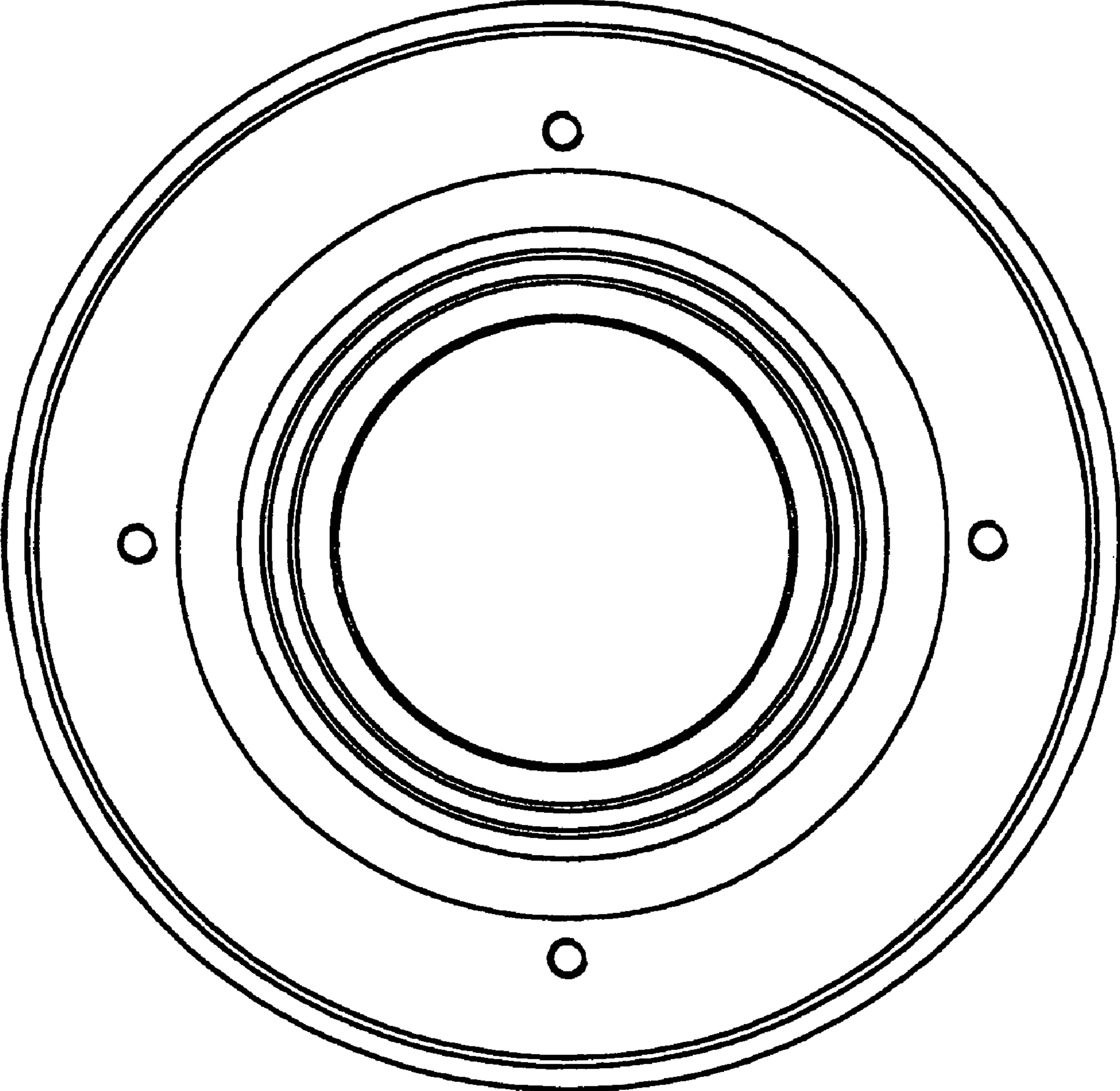


FIG. 2

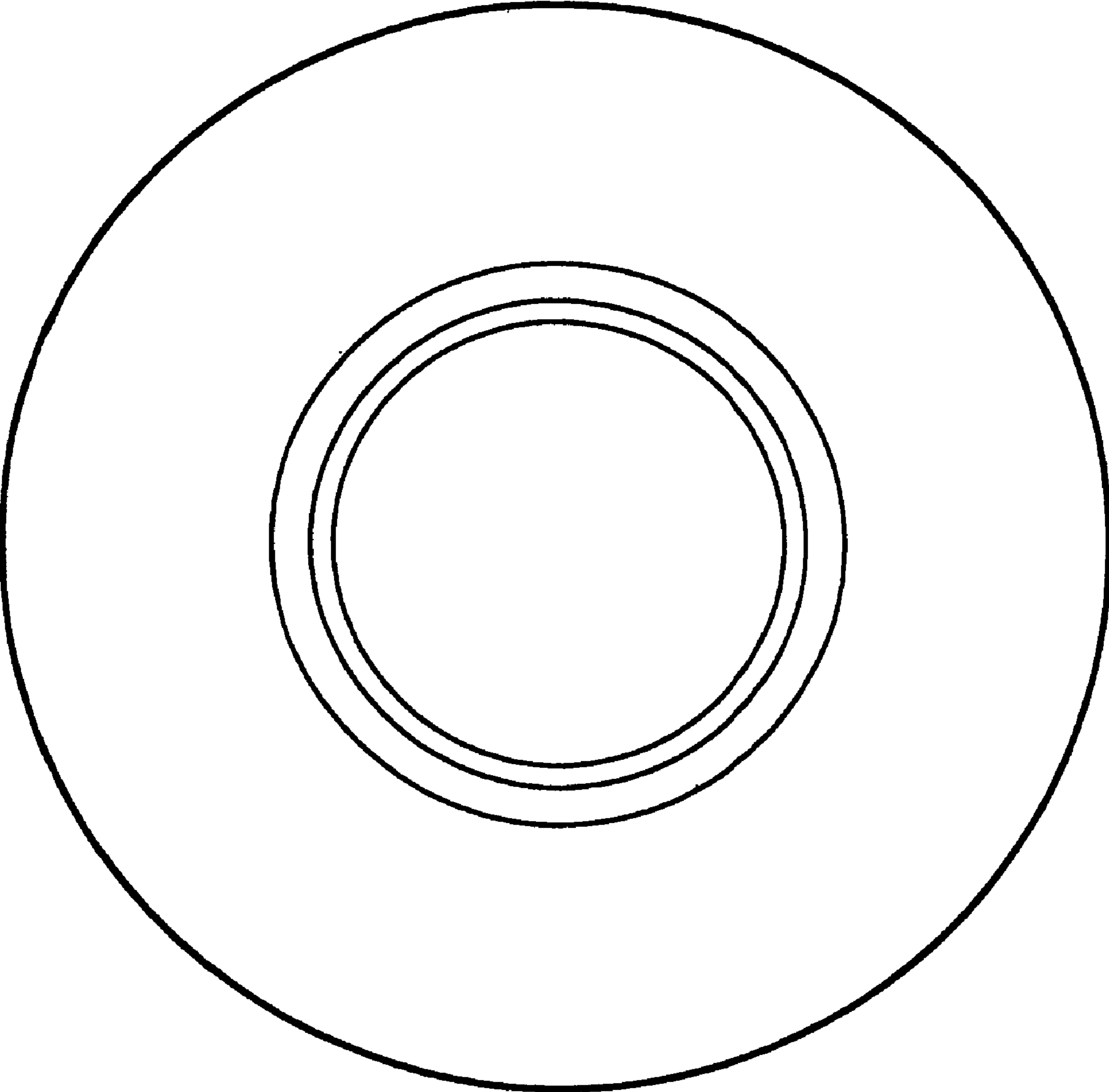


FIG. 3

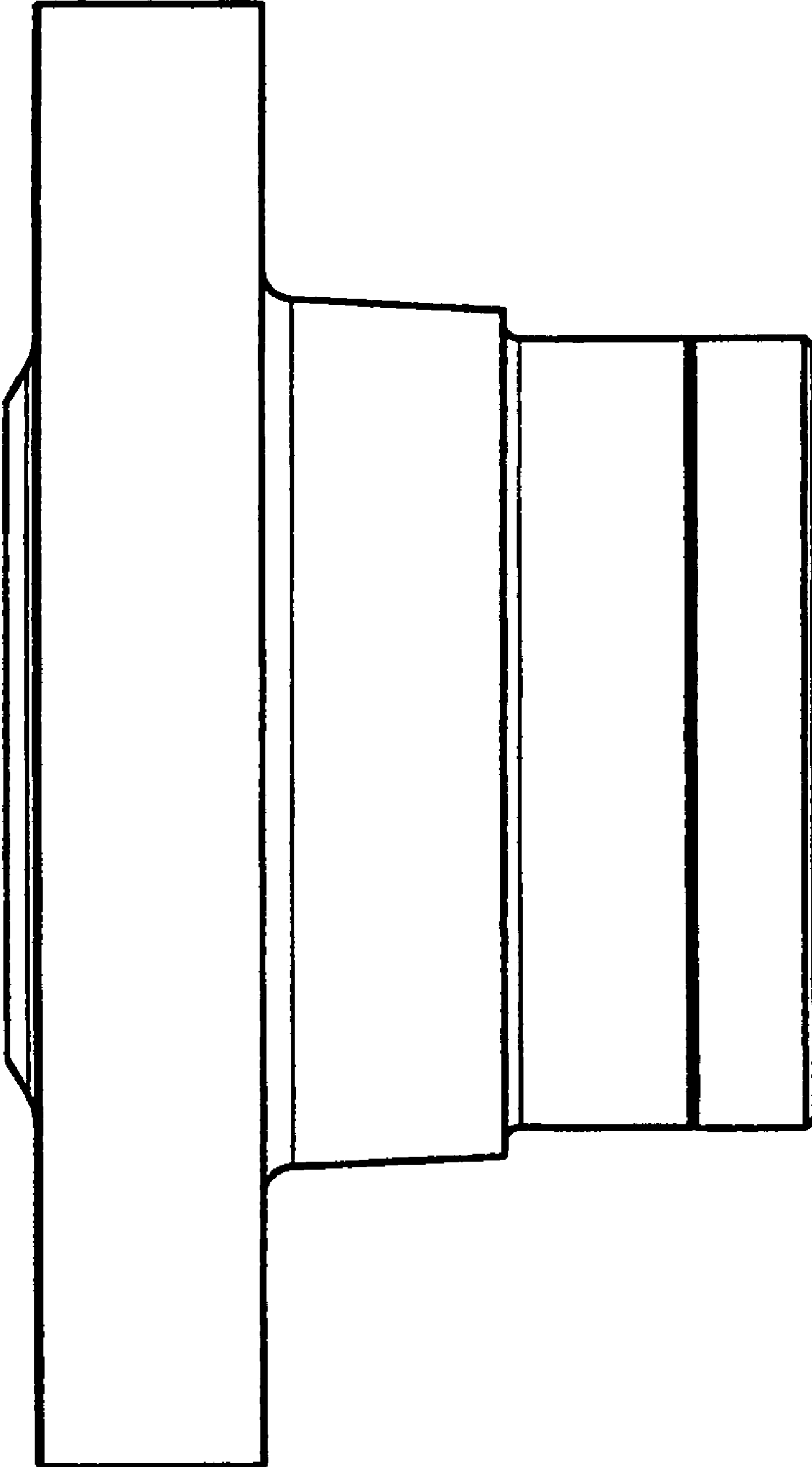


FIG. 4

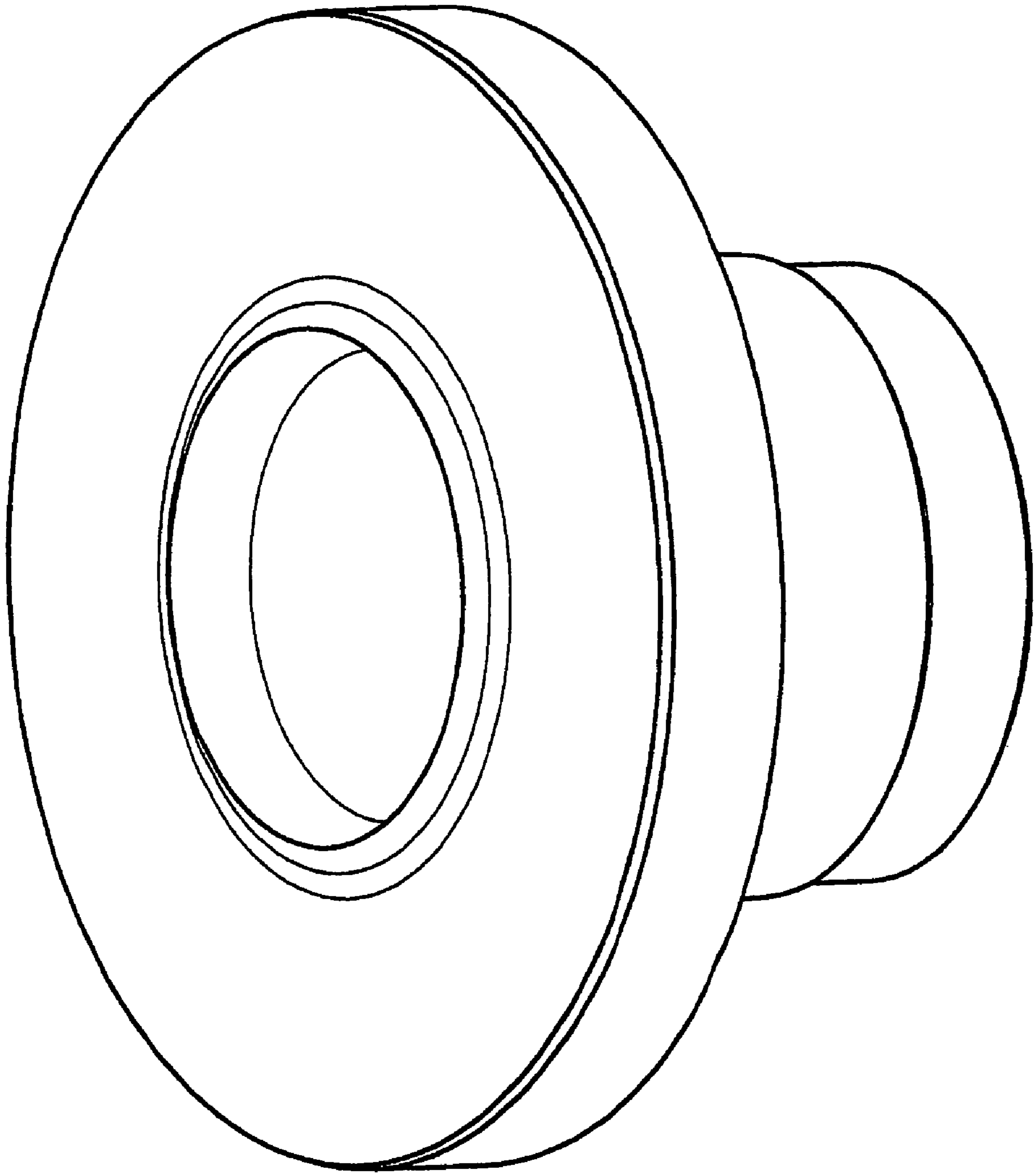


FIG. 5