



US00D609248S

(12) **United States Design Patent**
Foreman et al.

(10) **Patent No.:** **US D609,248 S**

(45) **Date of Patent:** **** Feb. 2, 2010**

(54) **PUMP CASING COMPONENT**

(75) Inventors: **Michael Christopher Foreman**,
Northmead (AU); **Ana Milian**, Quakers
Hill (AU)

(73) Assignee: **Weir Minerals Australia, Ltd.**,
Artarmon, NSW (AU)

(**) Term: **14 Years**

(21) Appl. No.: **29/313,826**

(22) Filed: **Feb. 13, 2009**

(30) **Foreign Application Priority Data**

Aug. 14, 2008 (AU) 13899/2008

(51) **LOC (9) Cl.** **15-02**

(52) **U.S. Cl.** **D15/7**

(58) **Field of Classification Search** D15/7-9;
D23/231, 232, 225; 417/410.1, 359, 415-416,
417/234, 321, 265, 405

See application file for complete search history.

(56) **References Cited**

U.S. PATENT DOCUMENTS

3,319,573 A * 5/1967 Judd 415/144
D368,913 S * 4/1996 Wightley D15/7
D381,339 S * 7/1997 Wightley D15/7
D545,326 S * 6/2007 Zellers D14/480.5
D559,269 S * 1/2008 Wu D15/7

OTHER PUBLICATIONS

“Horizontal Slurry Pumps brochure, Weir Slurry Group, Inc. 2008.”

* cited by examiner

Primary Examiner—Ralf Seifert

(74) *Attorney, Agent, or Firm*—Morris O’Bryant Compagni

(57) **CLAIM**

The ornamental design for the pump casing component, as shown and described herein.

DESCRIPTION

FIG. 1 is a perspective view of the pump casing component of the invention;

FIG. 2 is a view in elevation of the pump casing component shown in FIG. 1 rotated vertically to the left;

FIG. 3 is a view in elevation of the pump casing component shown in FIG. 2 rotated vertically 180°;

FIG. 4 is a top side view of the pump casing component shown in FIG. 1;

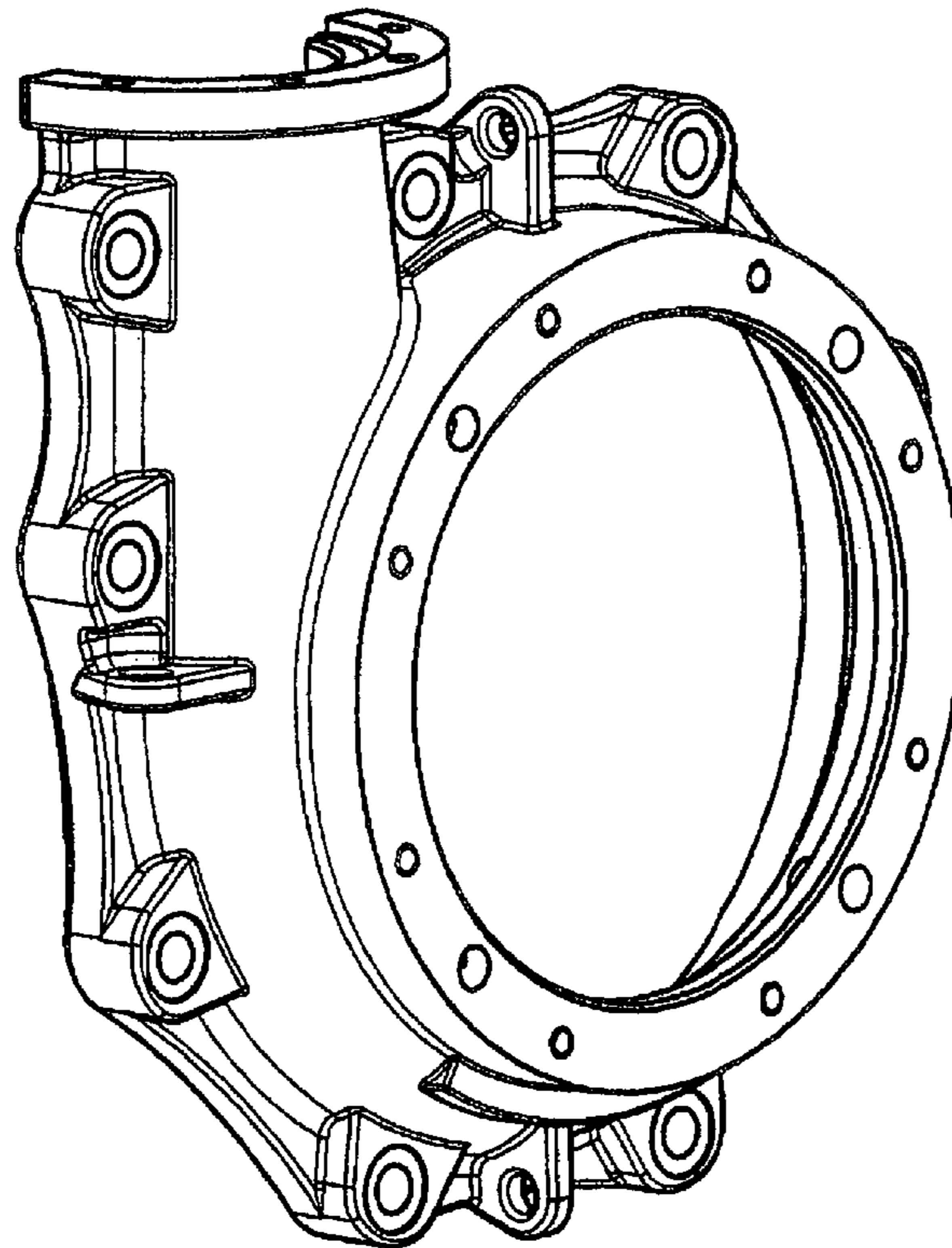
FIG. 5 is a side view of the pump casing component shown in FIG. 2, rotated vertically 90° to the right;

FIG. 6 is a side view of the pump casing component shown in FIG. 2, rotated vertically 90° to the left;

FIG. 7 is bottom side view of the pump casing component shown in FIG. 4, rotated vertically 180°; and,

FIG. 8 is a perspective view of the pump casing component shown in FIG. 1, rotated 180°.

1 Claim, 8 Drawing Sheets



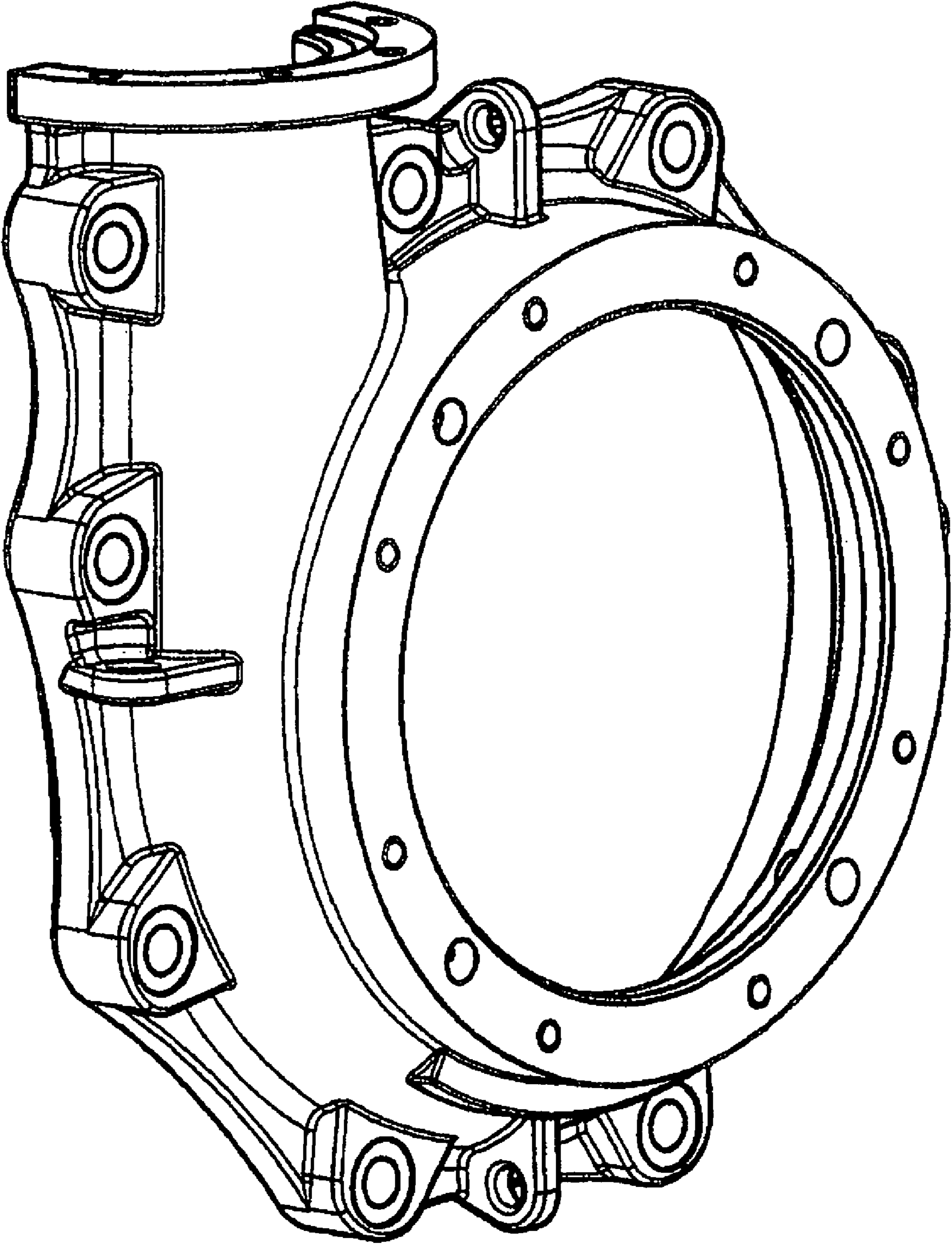


FIG. 1

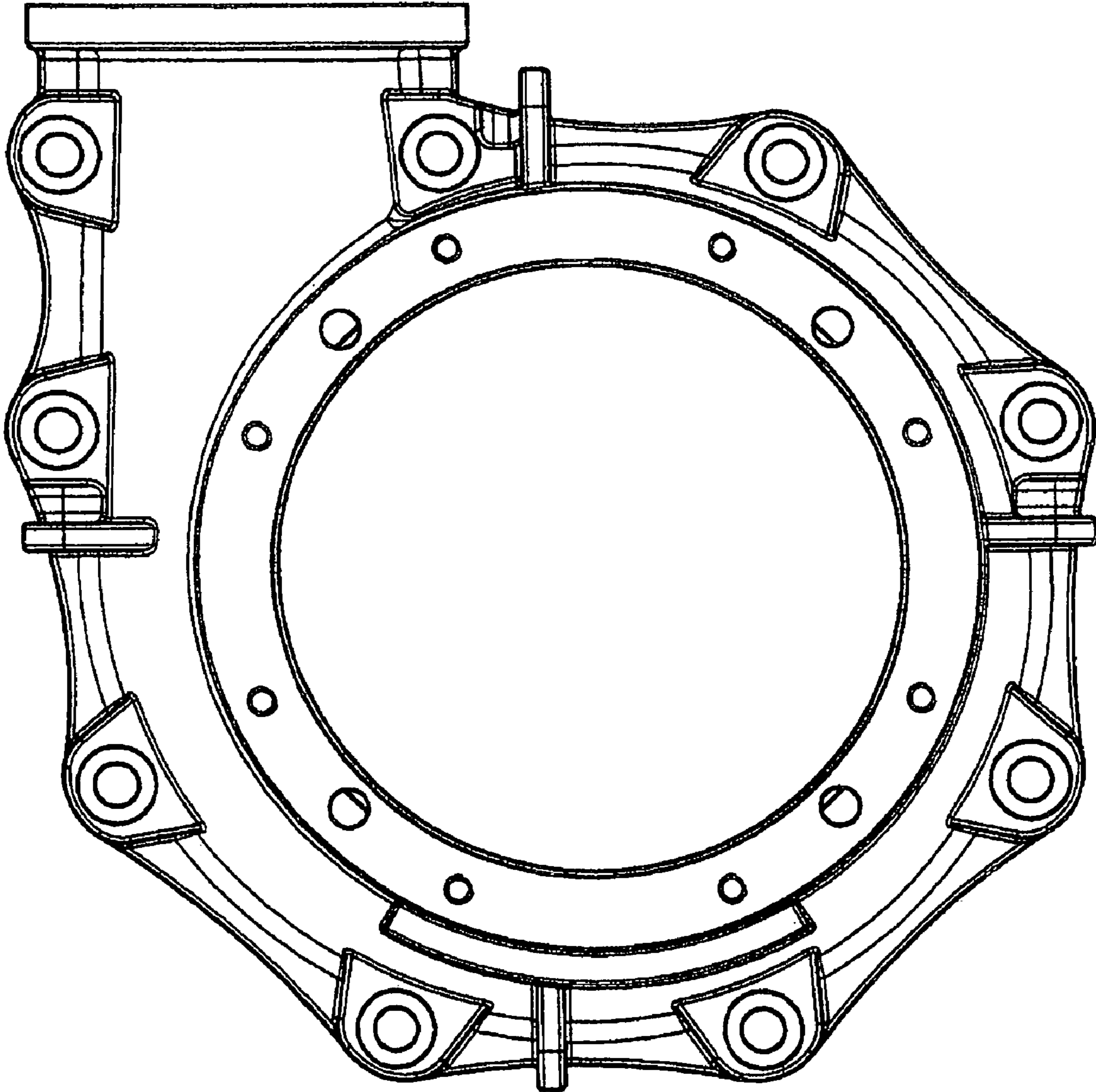


FIG. 2

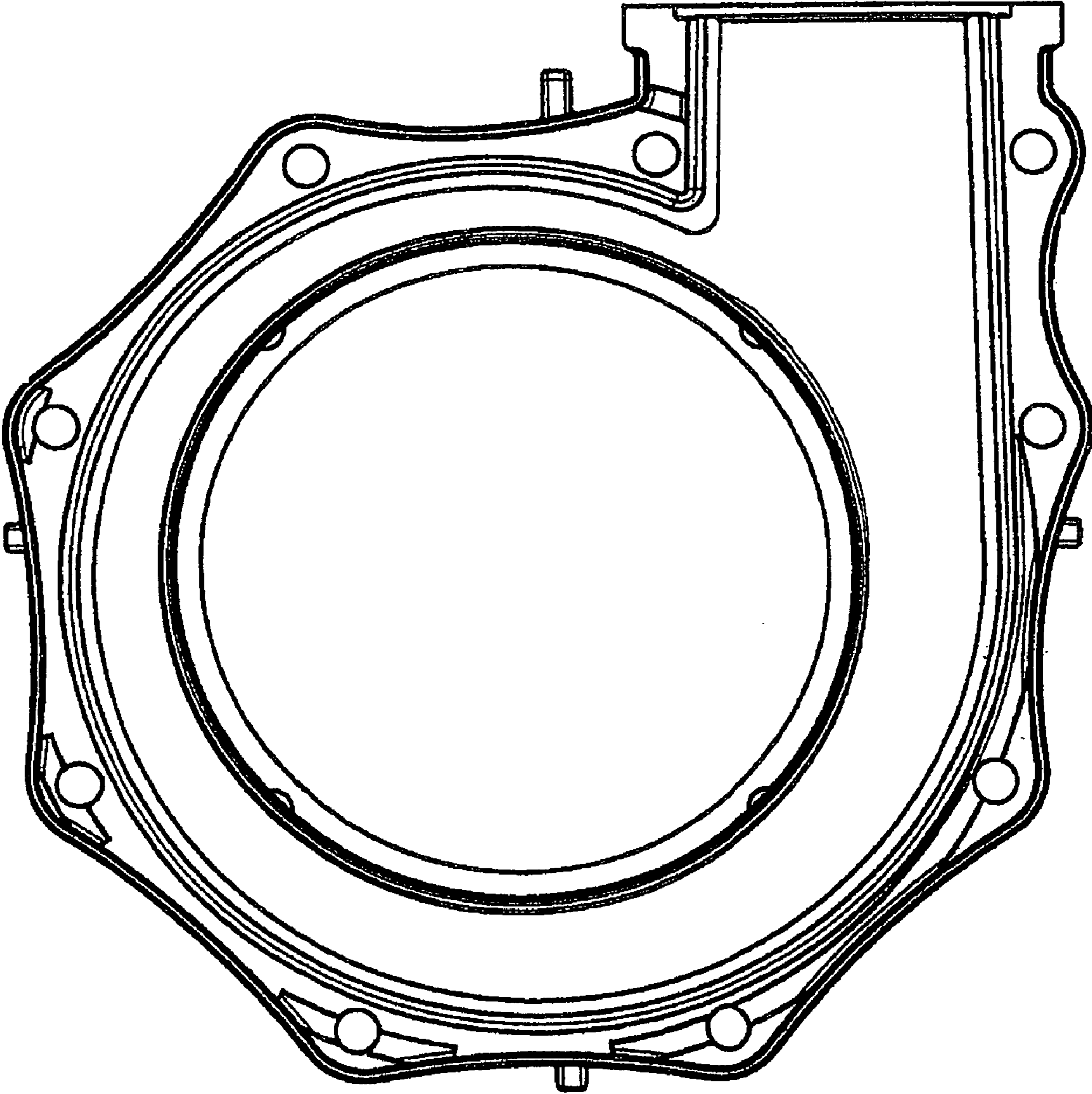


FIG. 3

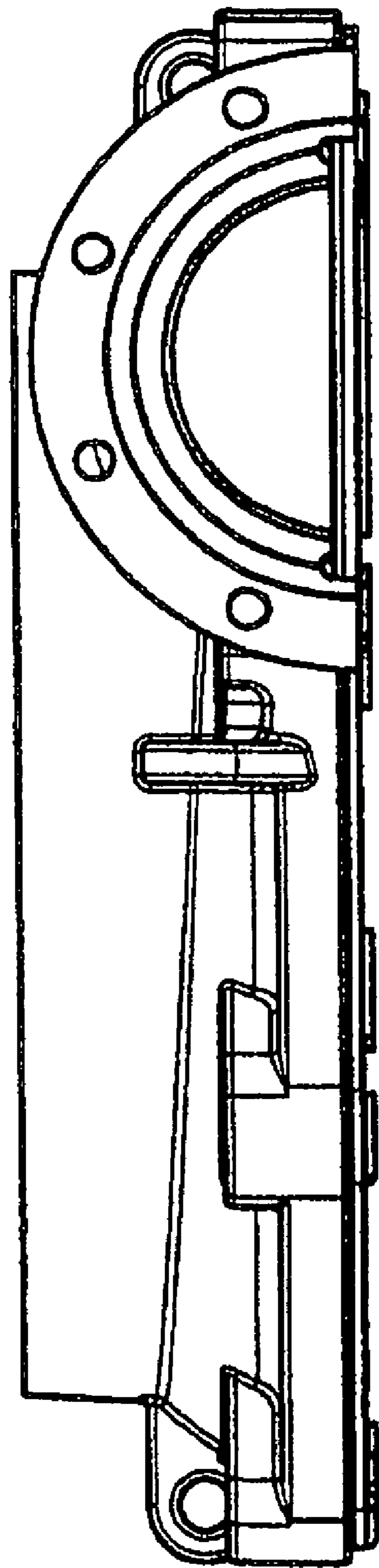


FIG. 4

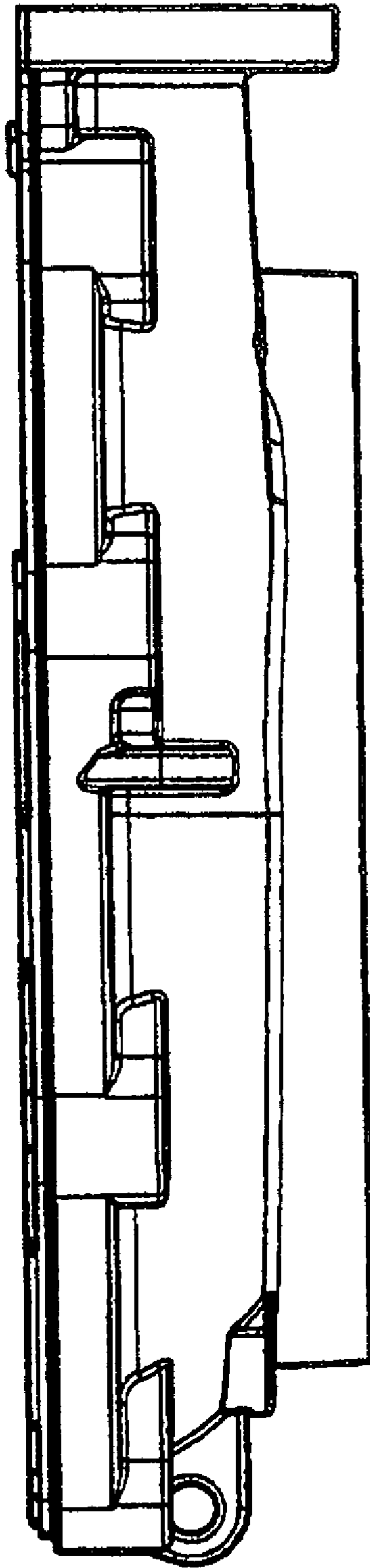


FIG. 5

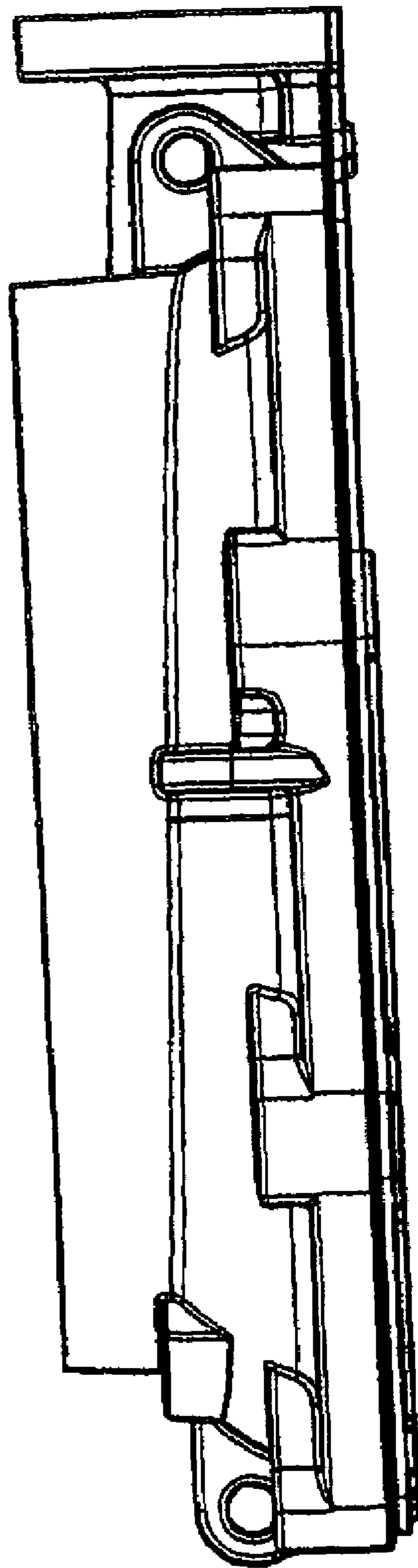


FIG. 6

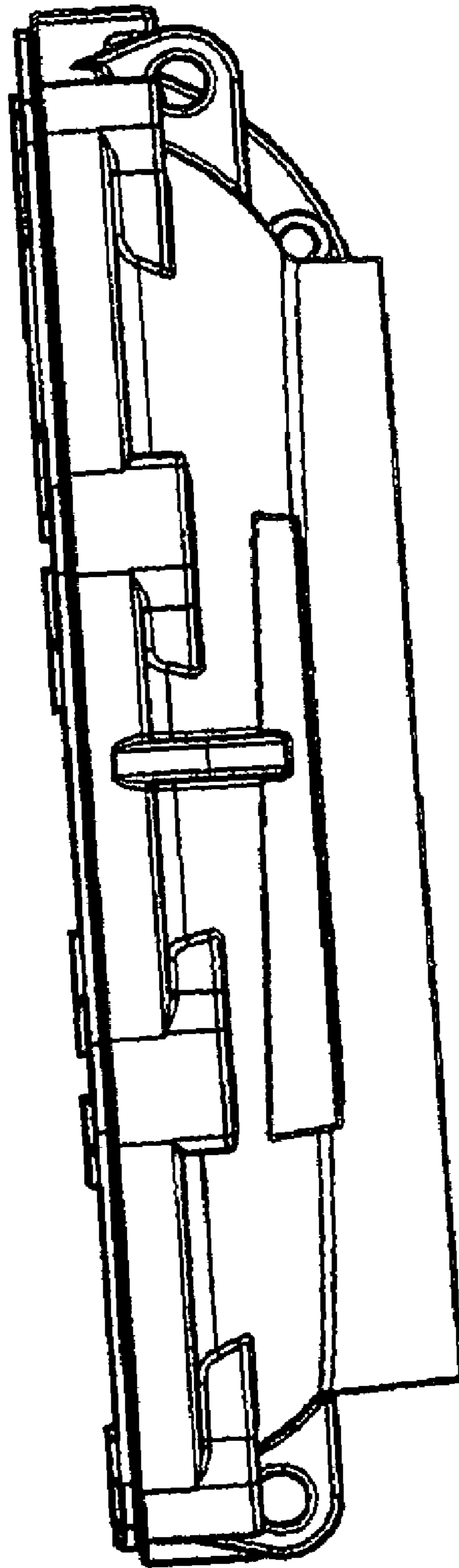


FIG. 7

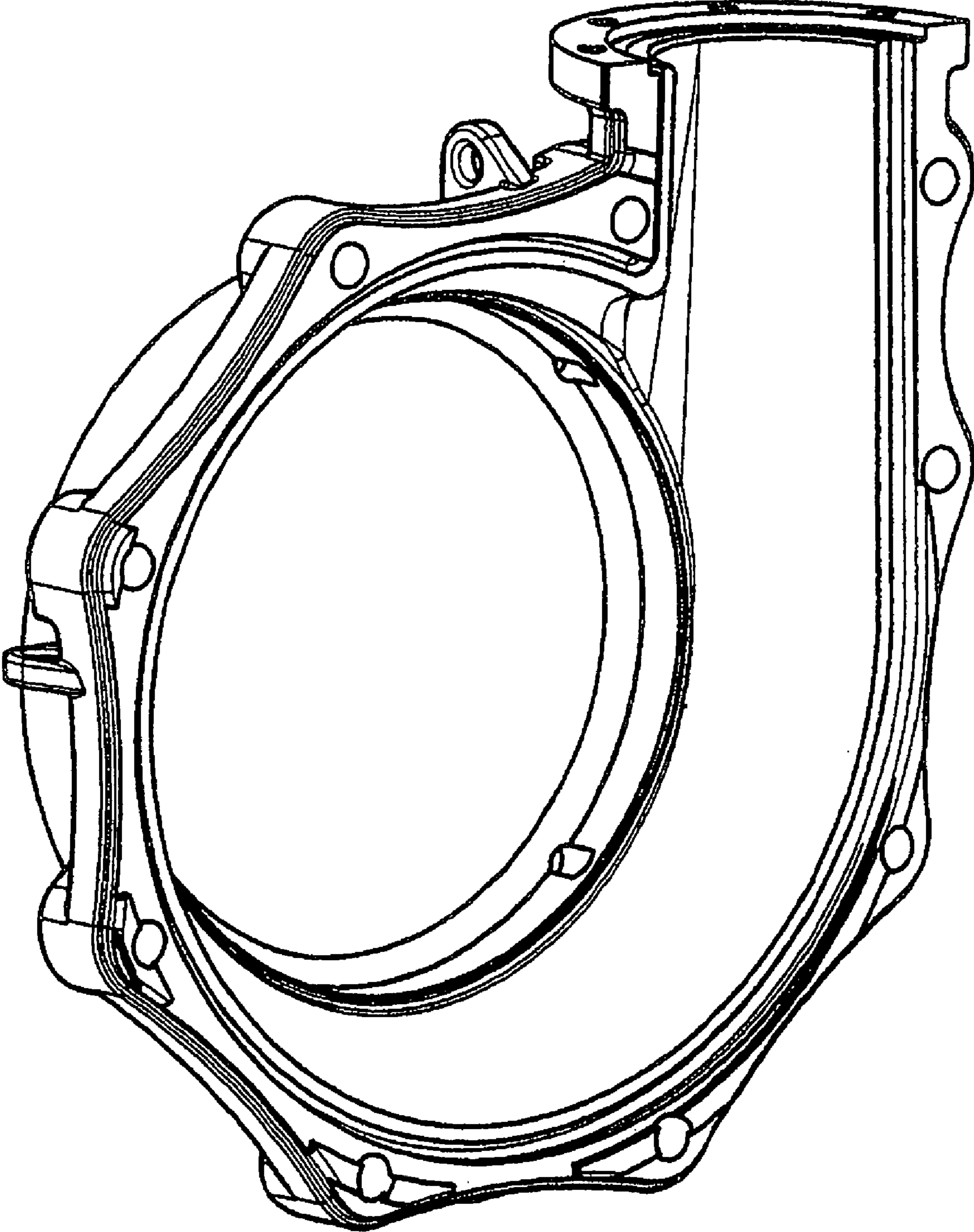


FIG. 8