



US00D609241S

(12) **United States Design Patent**
Wun et al.

(10) **Patent No.:** **US D609,241 S**
(45) **Date of Patent:** **** Feb. 2, 2010**

- (54) **DUAL DISPLAY HAND-HELD ELECTRONIC DEVICE**
- (75) Inventors: **Archer Chi Kwong Wun**, North York (CA); **Kwok Ching Leung**, Richmond Hill (CA); **Todd Andrew Wood**, Guelph (CA)
- (73) Assignee: **Research In Motion Limited**, Waterloo (CA)
- (**) Term: **14 Years**
- (21) Appl. No.: **29/336,298**
- (22) Filed: **Apr. 30, 2009**

Related U.S. Application Data

- (62) Division of application No. 29/303,723, filed on Feb. 15, 2008, now Pat. No. Des. 593,569.
- (51) **LOC (9) Cl.** **14-02**
- (52) **U.S. Cl.** **D14/455; D14/248**
- (58) **Field of Classification Search** D14/341, D14/342, 343, 344, 345, 346, 347, 138 R, D14/138 AA, 138 AB, 138 AC, 138 AD, D14/138 C, 138 G, 315, 316, 320, 331, 333, D14/334, 335, 338, 339, 340, 387, 390, 391, D14/392, 393, 394, 395, 396, 397, 398, 399, D14/400, 401, 406, 420, 426, 427, 428, 429, D14/432, 439, 440, 441, 453, 454, 455, 456, D14/457, 496, 130, 137, 142, 150, 151, 203.1; D14/203.3, 203.4, 203.5, 203.6, 203.7, 238.1, D14/247, 248, 250, 902, 218, 125, 126; D13/168, D13/171; D18/7; D21/324, 329, 330, 331, D21/333; D10/65; 455/556.1, 556.2, 566, 455/575.1, 575.3, 575.4, 90.3; 341/22; 379/433.04, 379/433.06, 433.07, 433.11, 433.12, 433.13, 379/910, 915, 916; 348/14.02, 207.1, 552; 345/169, 168, 901

See application file for complete search history.

(56) **References Cited**

U.S. PATENT DOCUMENTS

D468,279	S	*	1/2003	Kim et al.	D14/138 AB
D469,415	S	*	1/2003	Nam	D14/138 AA
D502,455	S	*	3/2005	Brandis et al.	D14/138 AA
D543,188	S	*	5/2007	Minamide et al.	D14/138 AA
D545,792	S	*	7/2007	Kim et al.	D14/138 AA
D558,179	S	*	12/2007	Hansen	D14/138 AA
D574,817	S	*	8/2008	Eroma et al.	D14/247
D580,403	S	*	11/2008	Jung et al.	D14/138 AD
D585,414	S	*	1/2009	Kim et al.	D14/138 AA
D593,569	S	*	6/2009	Wun et al.	D14/455
D593,570	S	*	6/2009	Wun et al.	D14/455
D596,600	S	*	7/2009	Wun et al.	D14/138 AB
2006/0100004	A1	*	5/2006	Kim et al.	455/575.3

* cited by examiner

Primary Examiner—Jennifer Rivard
Assistant Examiner—Angela J Lee

(57) **CLAIM**

We claim the ornamental design for a dual display hand-held electronic device, as shown and described.

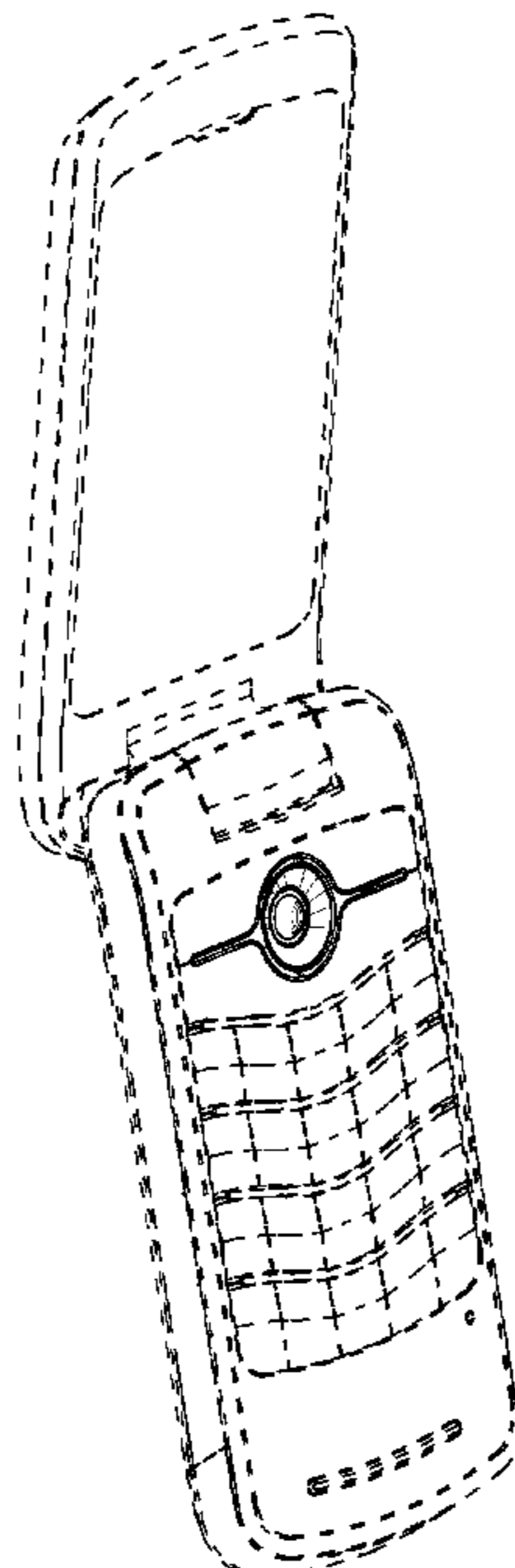
DESCRIPTION

FIG. 1 is a front perspective view of a dual display hand-held electronic device; and,

FIG. 2 is a front elevational view of the dual display hand-held electronic device.

The broken lines showing portions of the dual display hand-held electronic device form no part of the claimed design.

1 Claim, 2 Drawing Sheets



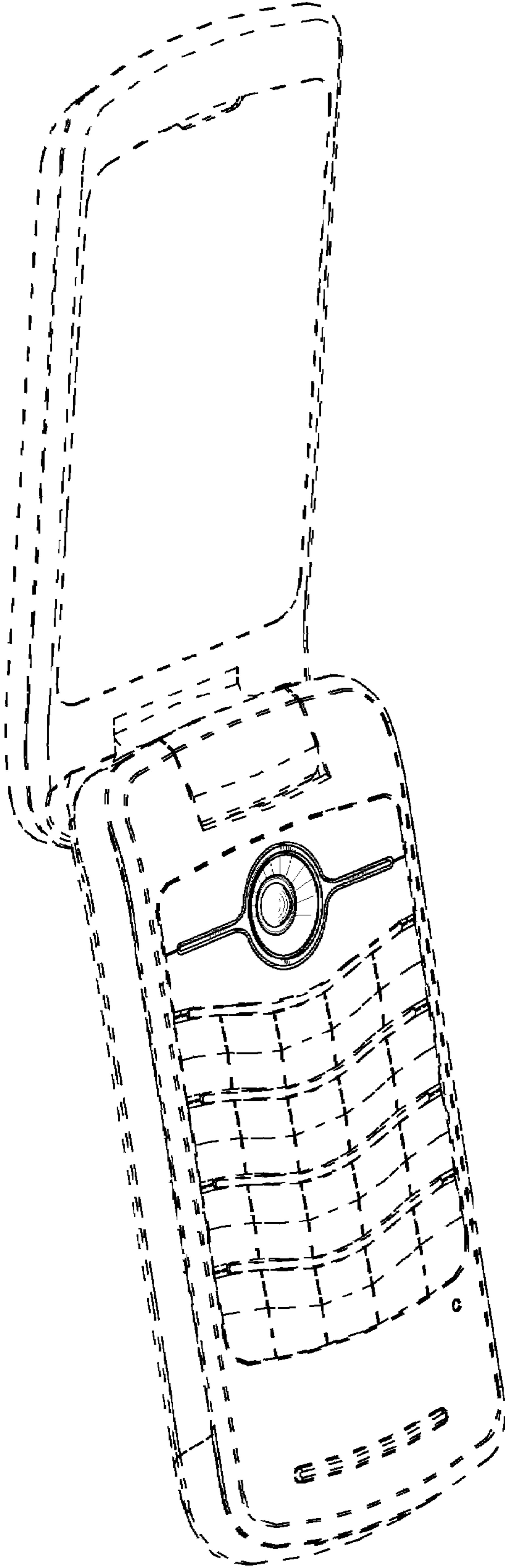


FIG.1

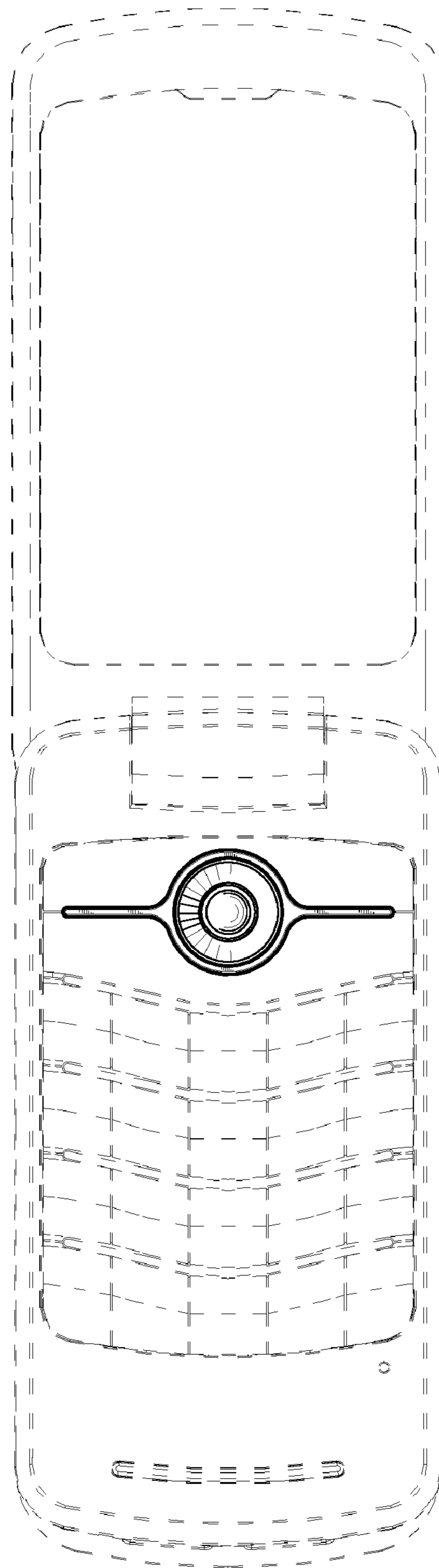


FIG.2