



US00D609238S

(12) **United States Design Patent**  
**Kobayashi et al.**

(10) **Patent No.:** **US D609,238 S**

(45) **Date of Patent:** **\*\* Feb. 2, 2010**

(54) **CRADLE FOR INFORMATION TERMINAL**

(75) Inventors: **Masahiko Kobayashi**, Chino (JP); **Eizo Takahashi**, Asahi-mura (JP)

(73) Assignee: **Seiko Epson Corporation** (JP)

(\*\*) Term: **14 Years**

(21) Appl. No.: **29/308,655**

(22) Filed: **Jun. 26, 2008**

(30) **Foreign Application Priority Data**

Apr. 4, 2008 (JP) ..... 2008-008688

(51) **LOC (9) Cl.** ..... **14-02**

(52) **U.S. Cl.** ..... **D14/434**

(58) **Field of Classification Search** ..... D14/432-434,  
D14/314, 204, 253, 447; D13/108, 146;  
248/346.03, 346.06; 320/112; 361/679.41,  
361/679.31, 679.32, 679.4, 679.43, 731;  
379/446; D10/65

See application file for complete search history.

(56) **References Cited**

**U.S. PATENT DOCUMENTS**

D362,663	S *	9/1995	Nguyen	.....	D14/434
6,035,036	A *	3/2000	Eisenbraun et al.	.....	379/446
D466,516	S *	12/2002	Peiker	.....	D14/447
D469,097	S *	1/2003	Liu	.....	D14/434
D487,897	S *	3/2004	Huang et al.	.....	D14/434
D495,336	S *	8/2004	Andre et al.	.....	D14/434
D499,092	S *	11/2004	Fan	.....	D14/253
6,912,125	B2 *	6/2005	Weng	.....	361/679.41

7,167,372	B2 *	1/2007	Mori et al.	.....	361/731
D549,602	S *	8/2007	Oberrieder et al.	.....	D10/65
D584,731	S *	1/2009	Montgomery et al.	.....	D14/434

\* cited by examiner

*Primary Examiner*—Freda S Nunn

(74) *Attorney, Agent, or Firm*—Harness, Dickey & Pierce, P.L.C.

(57) **CLAIM**

The ornamental design for a cradle for information terminal, as shown and described.

**DESCRIPTION**

FIG. 1 is a perspective view of a cradle for information terminal, as viewed from the top, front and left side, embodying our new design;

FIG. 2 is a perspective view, similar to FIG. 1, but showing portions thereof slid apart;

FIG. 3 is a front view thereof;

FIG. 4 is a rear view thereof;

FIG. 5 is a left side view thereof;

FIG. 6 is a right side view thereof;

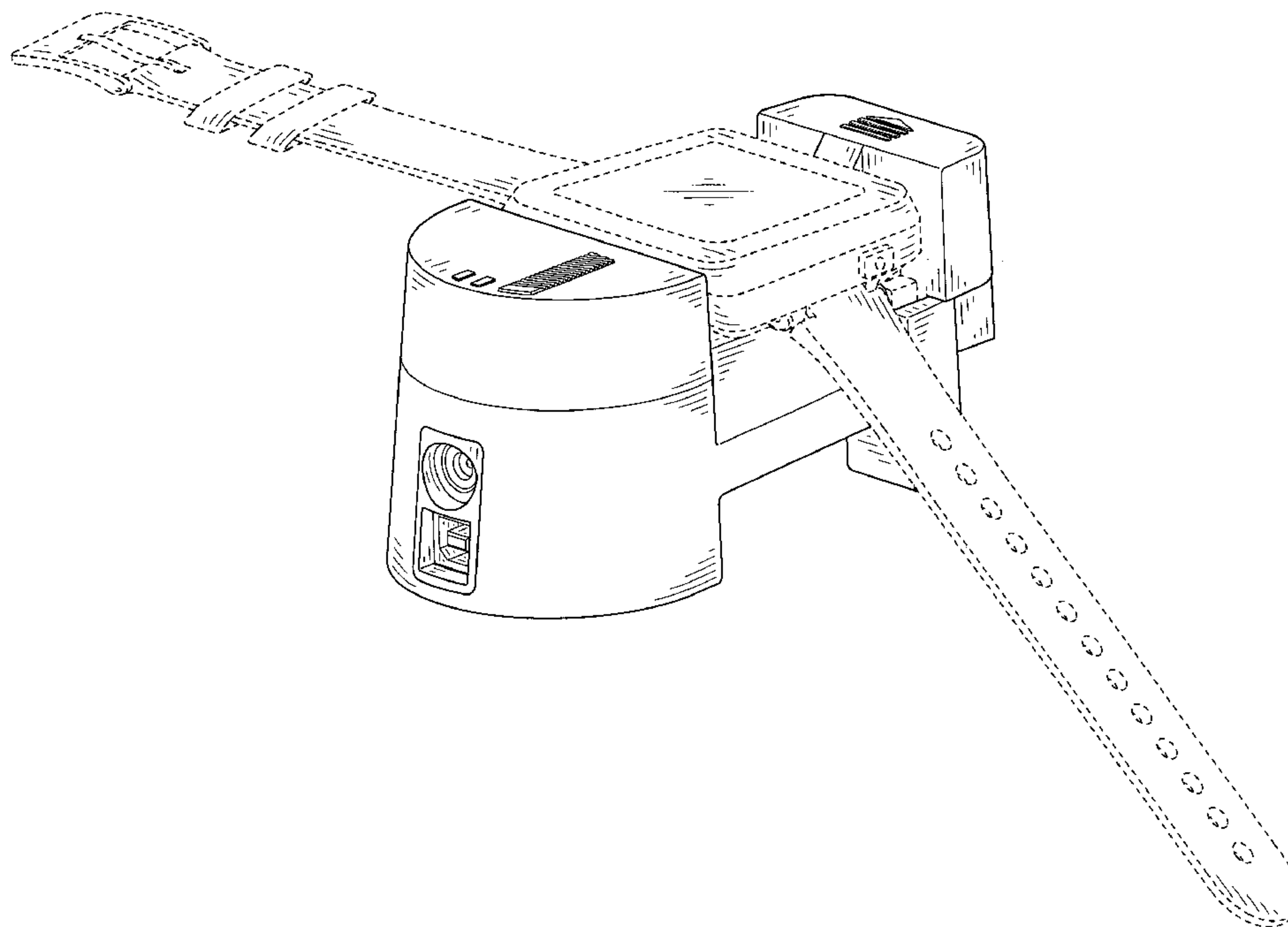
FIG. 7 is a top view thereof;

FIG. 8 is a bottom view thereof; and,

FIG. 9 is a perspective view thereof shown docking a wrist watch type information terminal.

The broken lines are for illustrative purposes only and form no part of the invention.

**1 Claim, 5 Drawing Sheets**



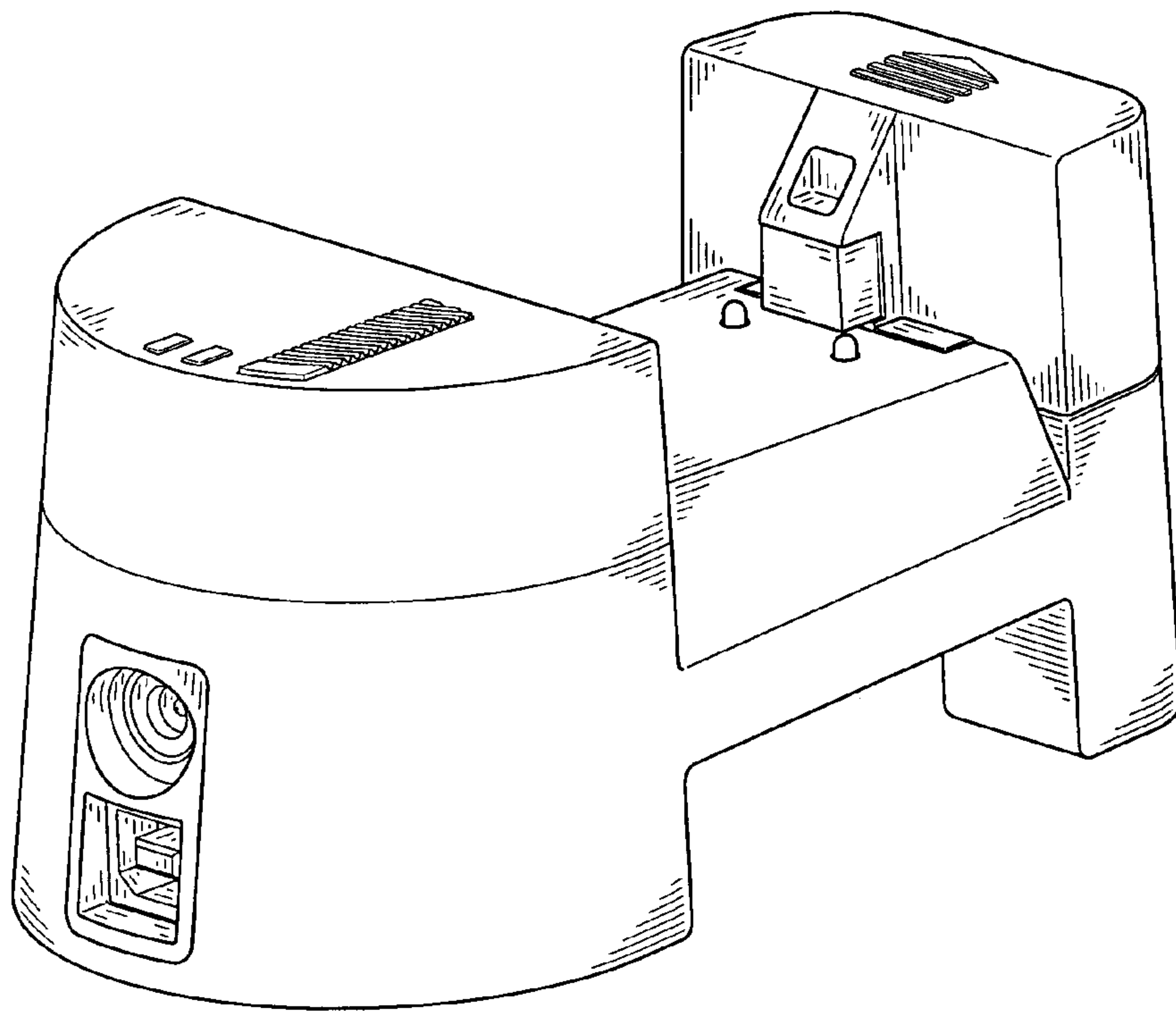


FIG. 1

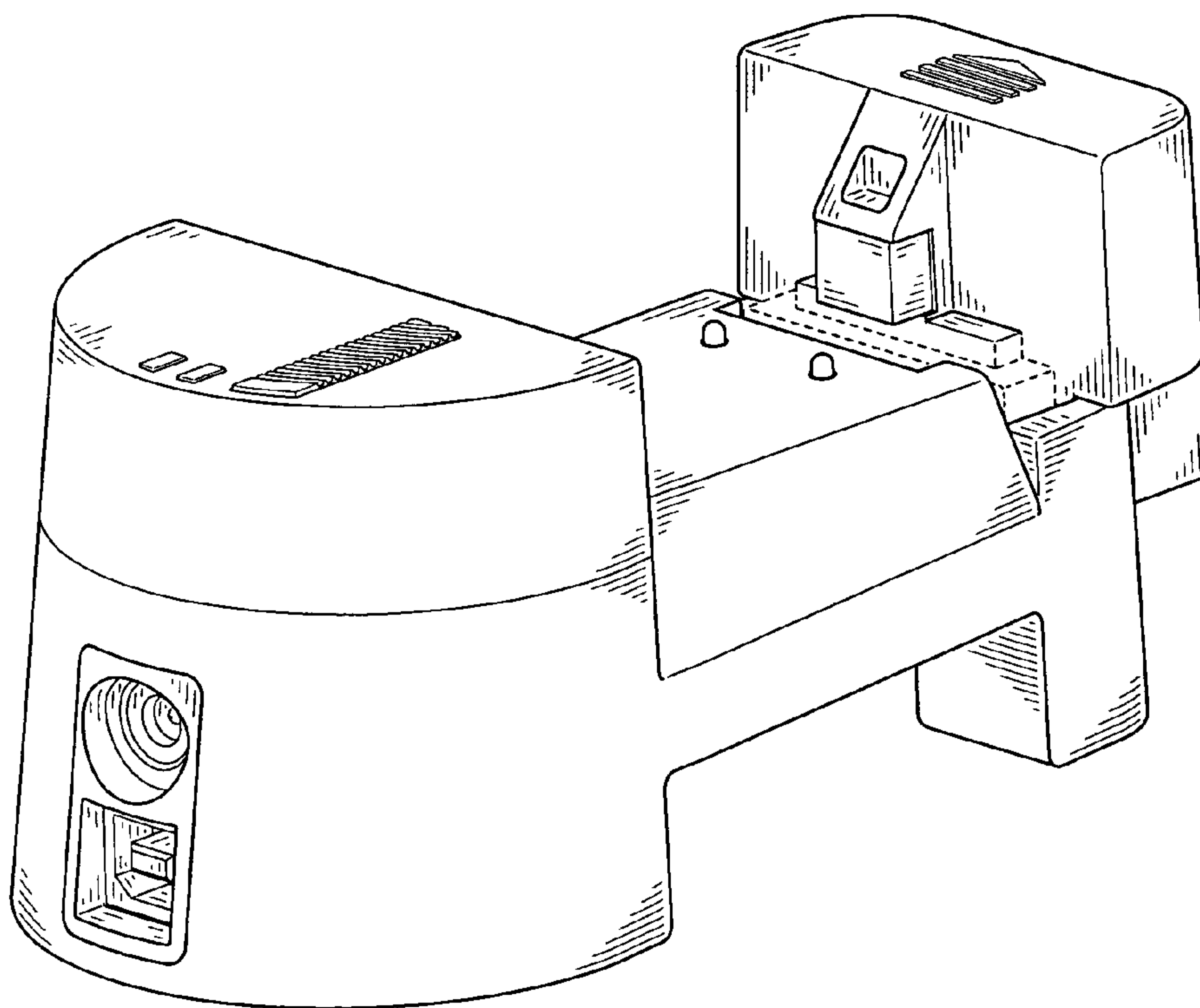


FIG. 2

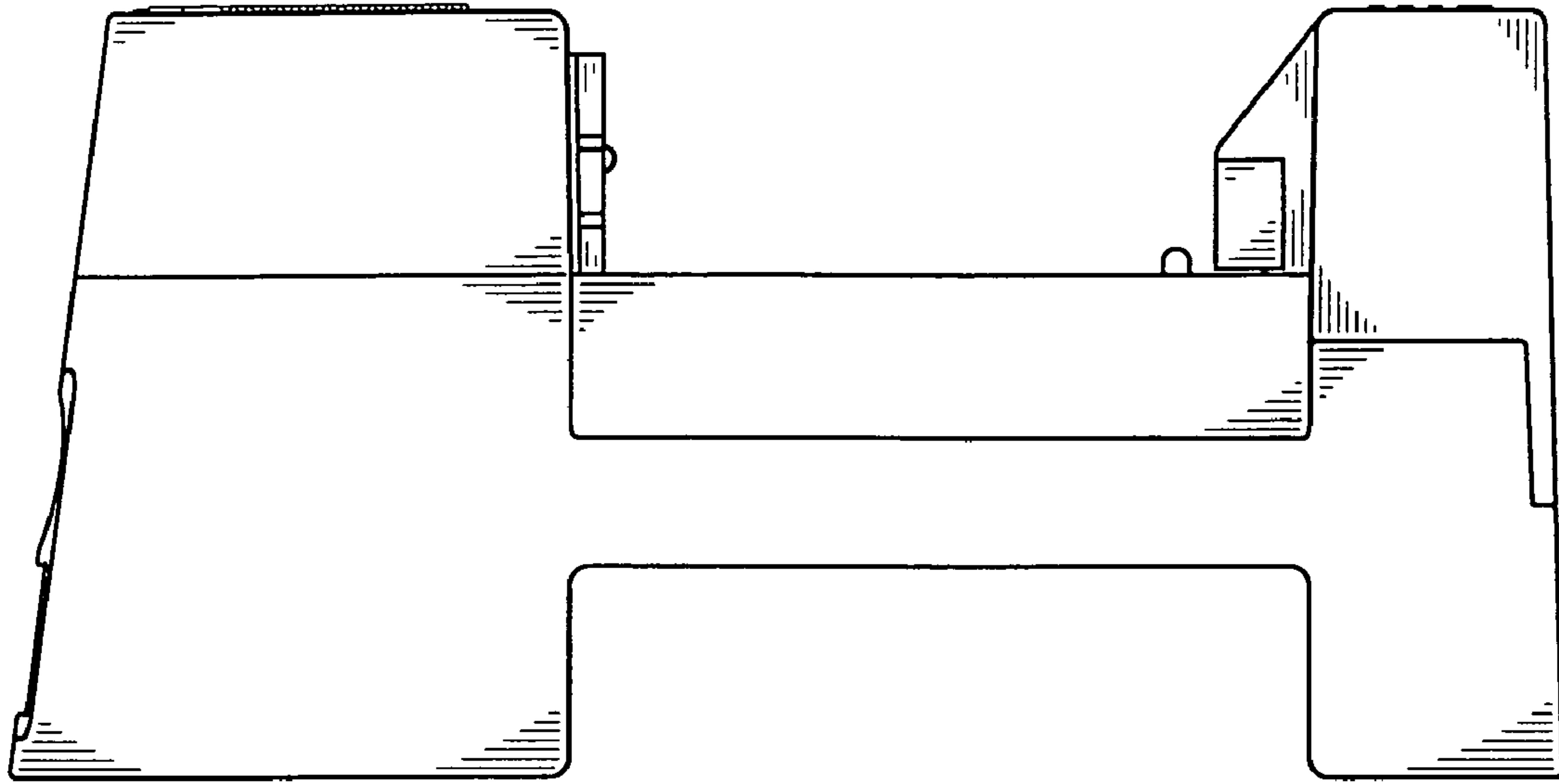


FIG. 3

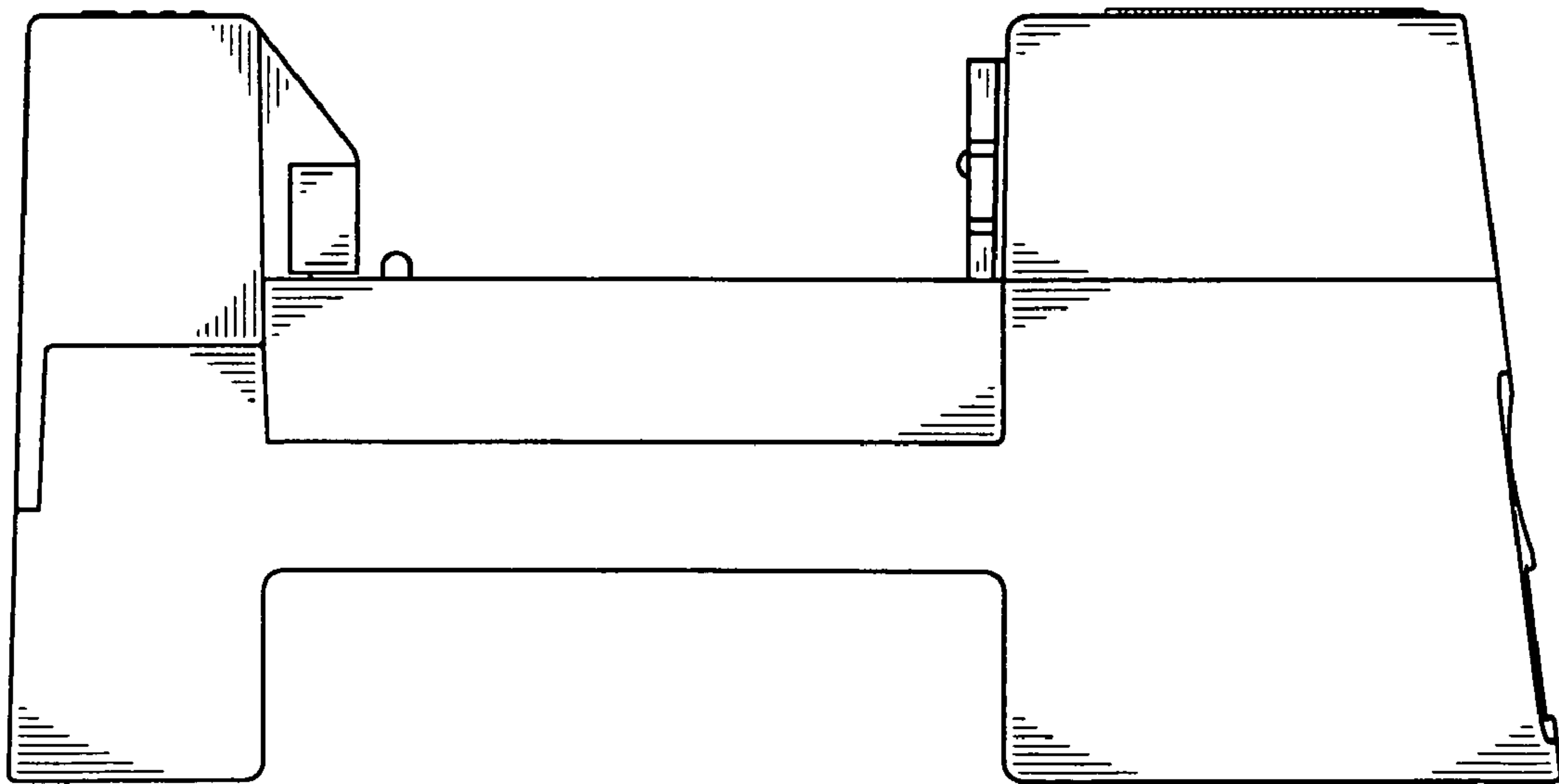


FIG. 4

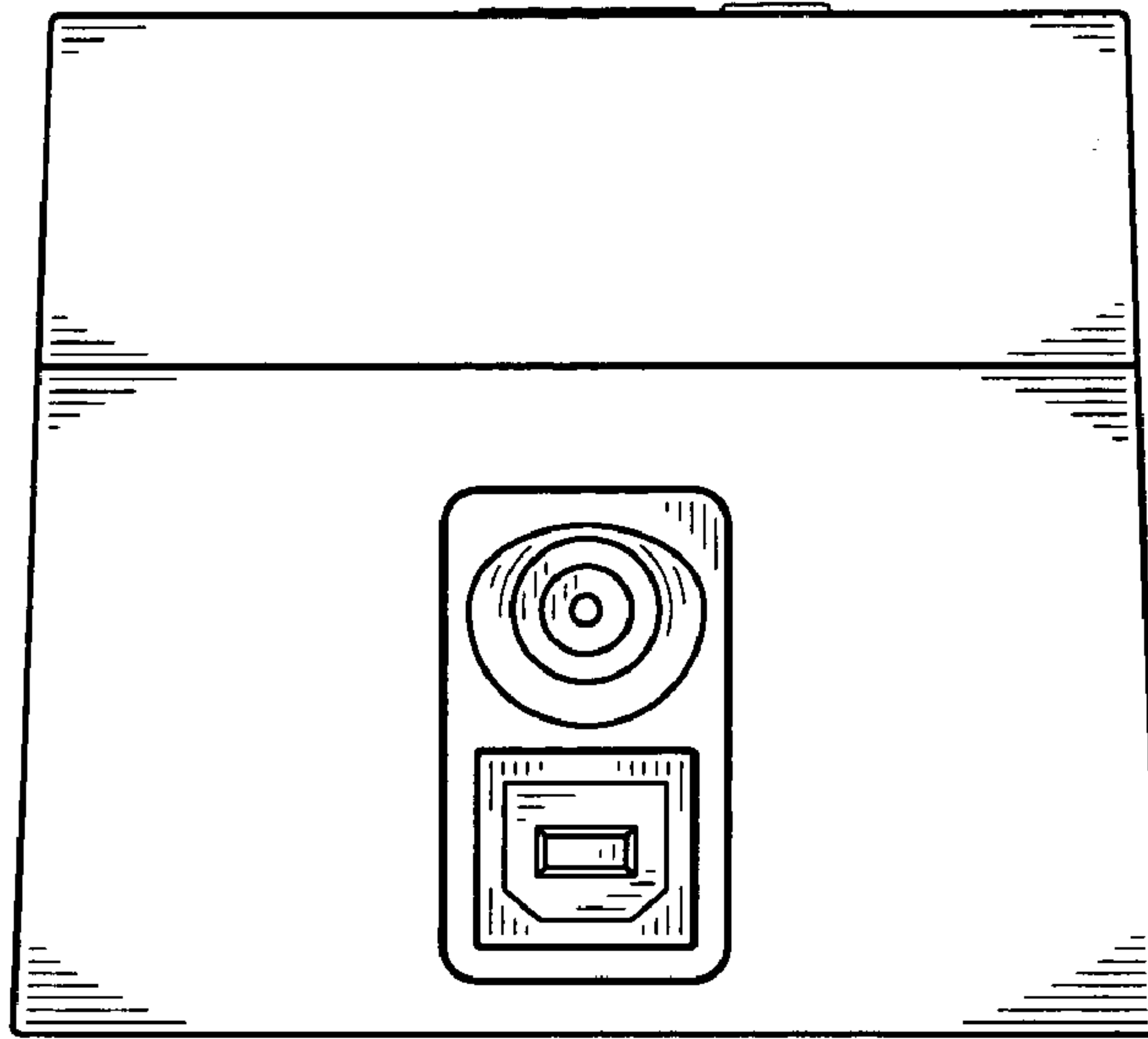


FIG. 5

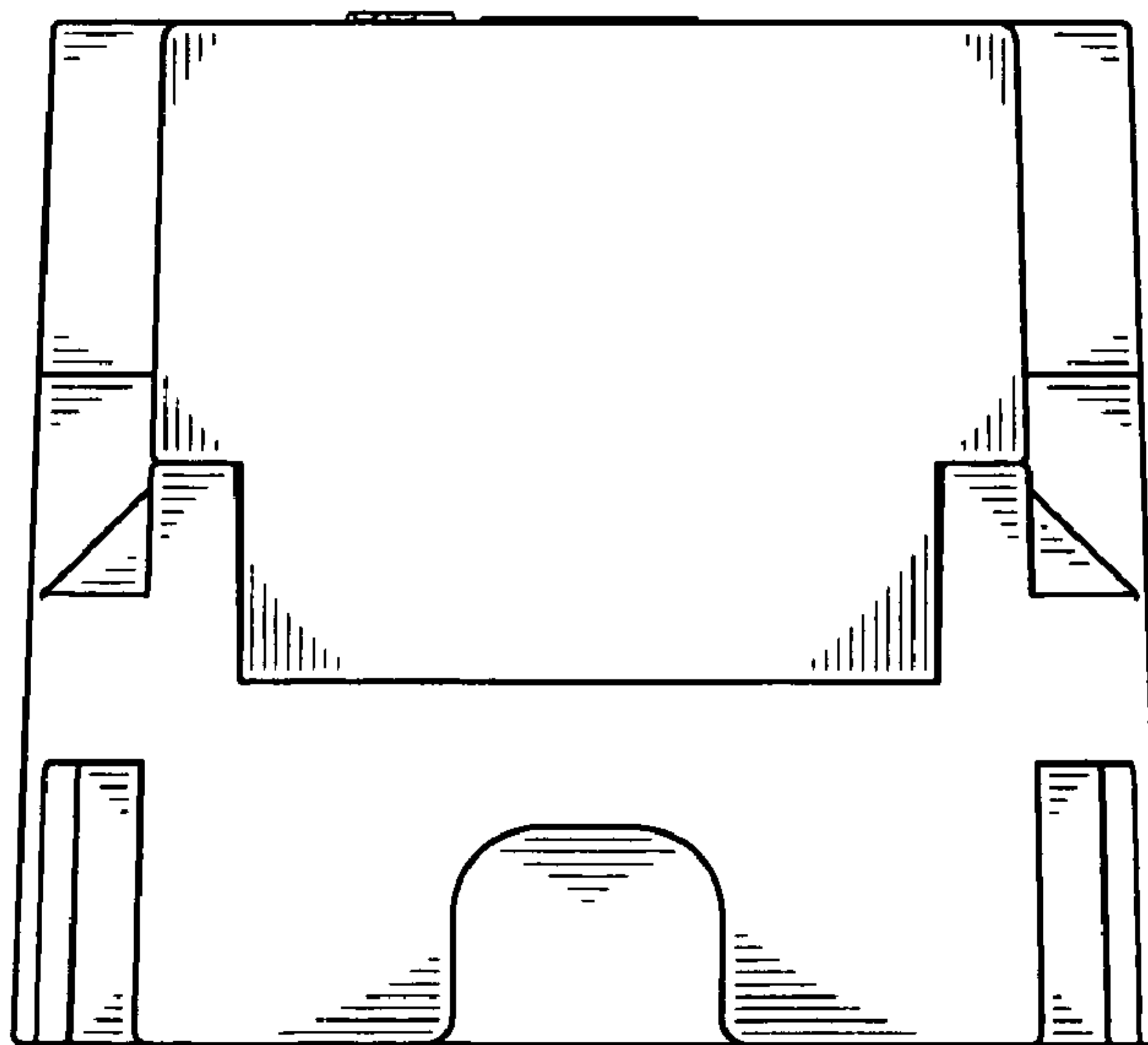


FIG. 6

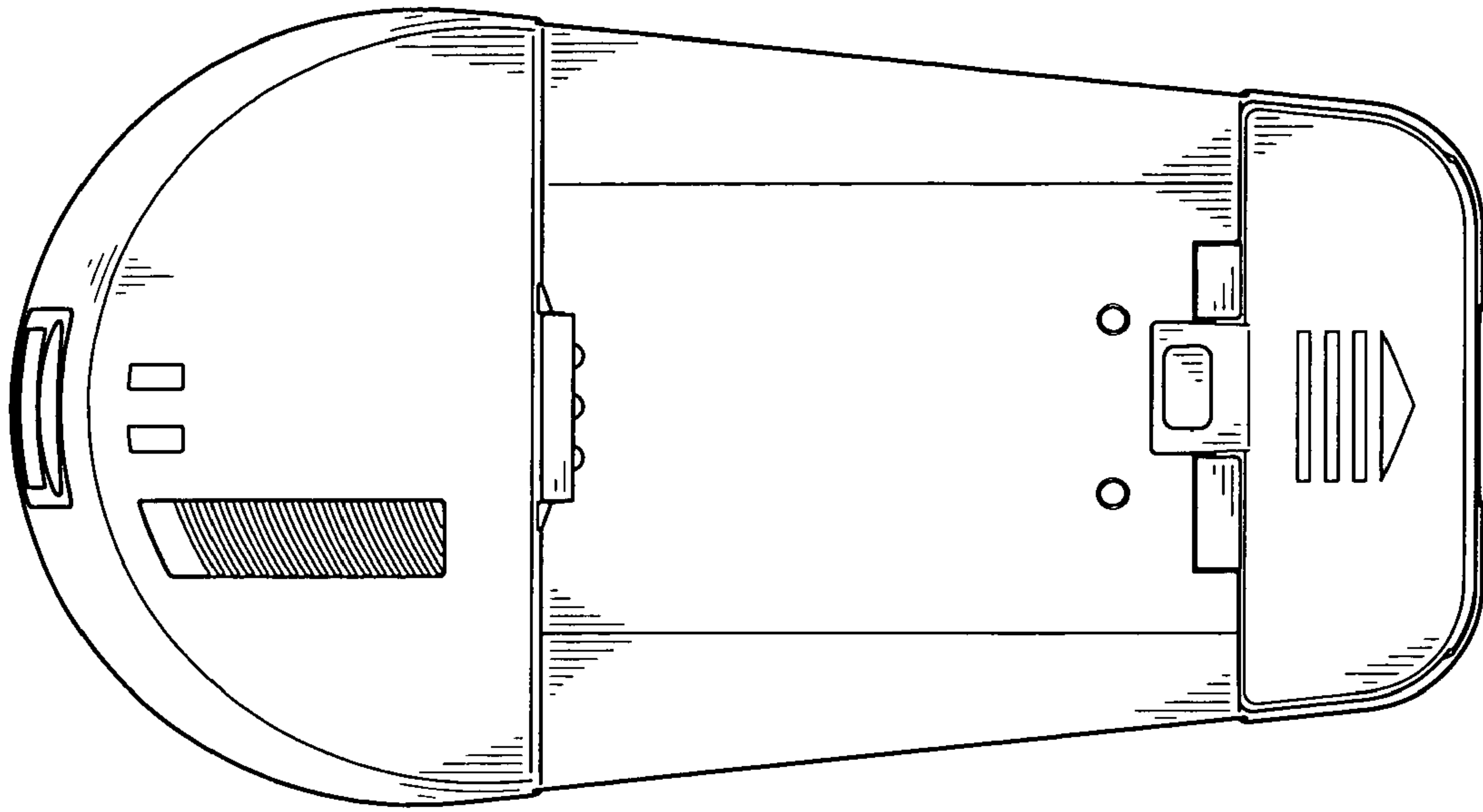


FIG. 7

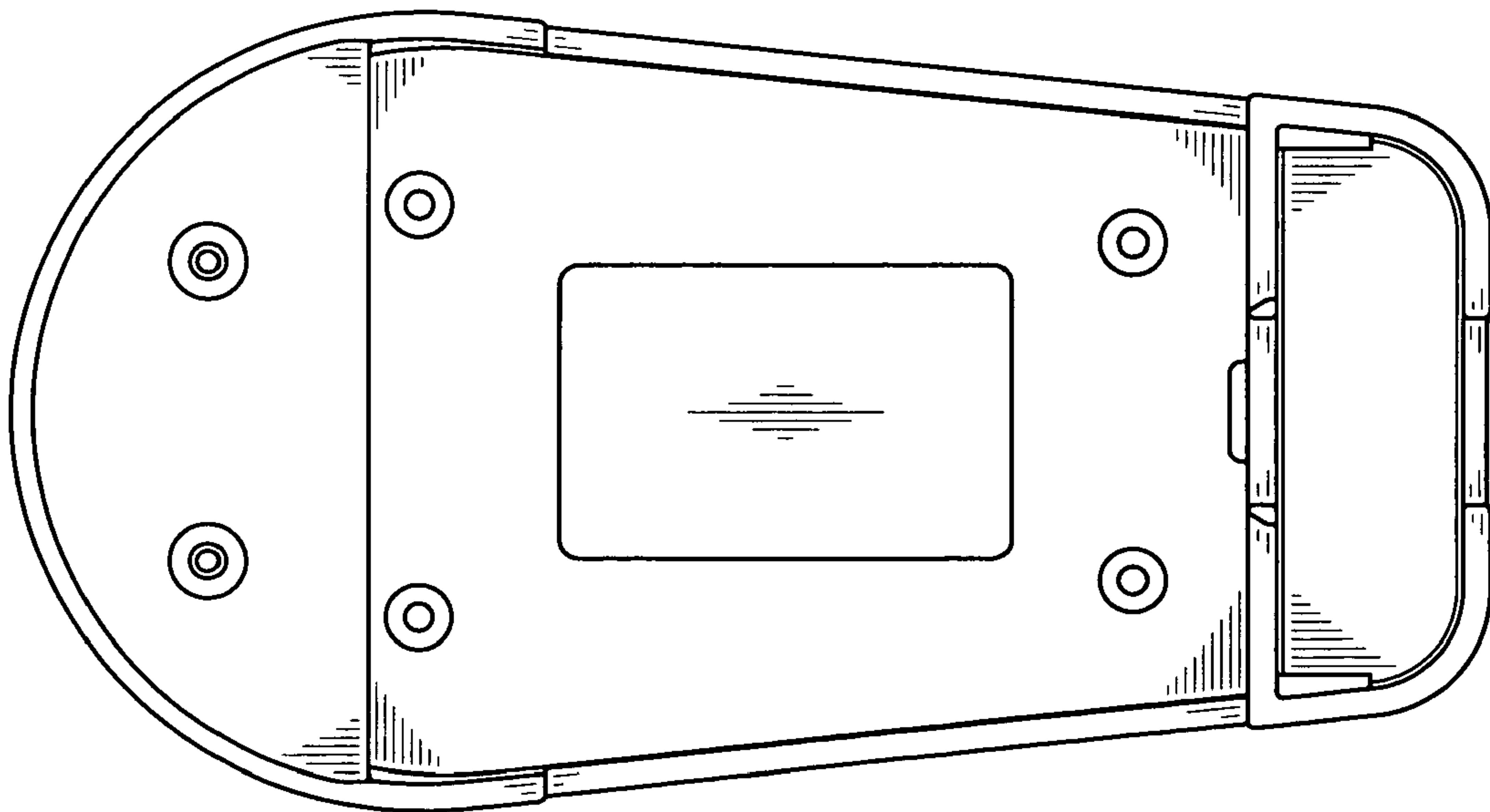


FIG. 8

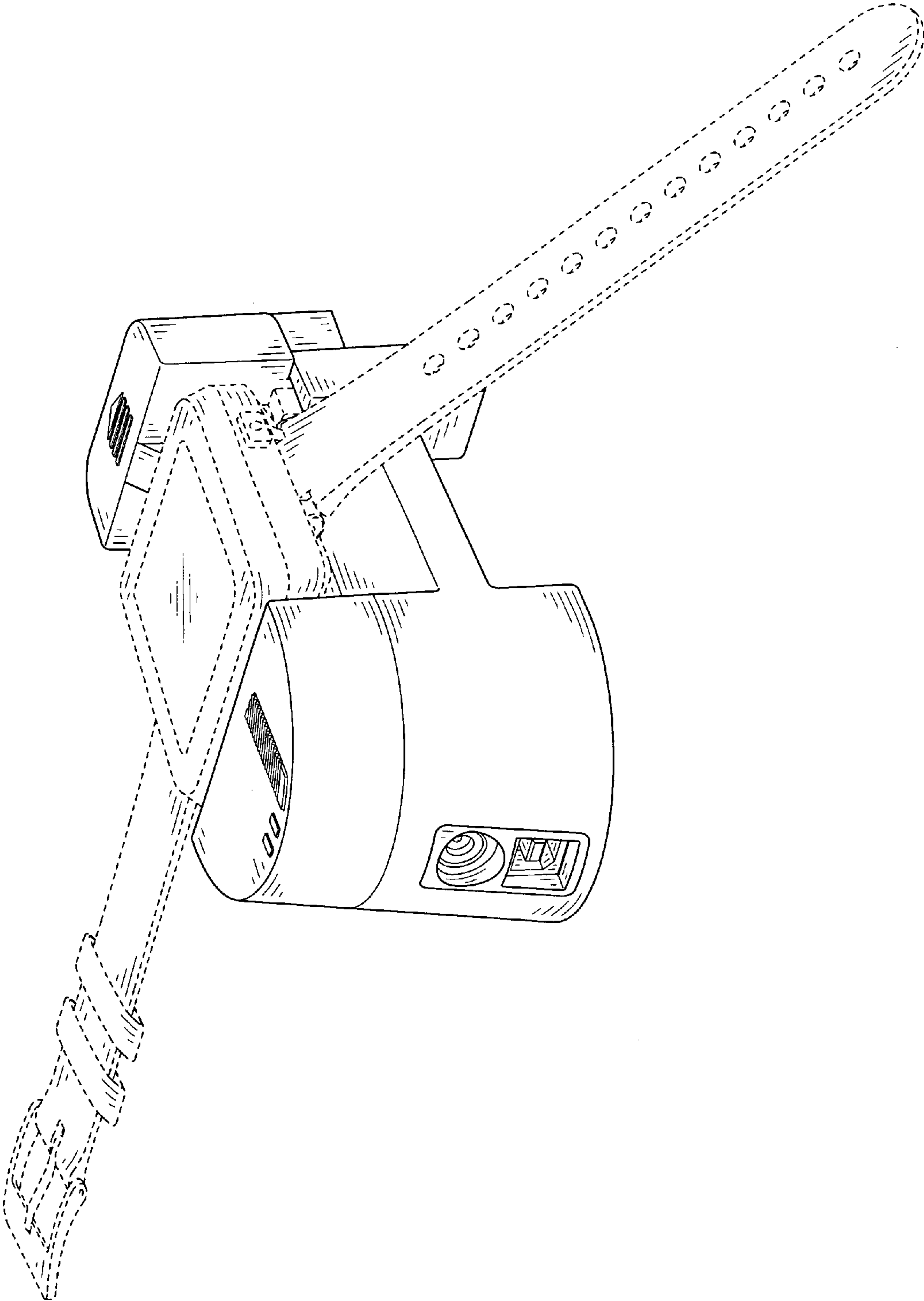


FIG. 9