



US00D609236S

(12) **United States Design Patent**
Matsumoto et al.

(10) **Patent No.:** **US D609,236 S**
(45) **Date of Patent:** **** Feb. 2, 2010**

(54) **IMAGE DISPLAY DEVICE**

(75) Inventors: **Shigeru Matsumoto**, Toyokawa (JP);
Mitsugi Tanaka, Nagoya (JP); **Takeshi Ikeda**, Fukui (JP)

(73) Assignee: **Brother Industries, Ltd.**, Nagoya (JP)

(**) Term: **14 Years**

(21) Appl. No.: **29/287,653**

(22) Filed: **Sep. 4, 2007**

(30) **Foreign Application Priority Data**

Mar. 9, 2007 (JP) 2007-006183

(51) **LOC (9) Cl.** **14-02**

(52) **U.S. Cl.** **D14/372; D8/395; D16/330**

(58) **Field of Classification Search** D14/356–358,
D14/361, 370, 372, 385, 388, 432–439, 447,
D14/458, 474, 480.1, 483, 484.1, 217, 239,
D14/299; D8/349, 354, 395; D16/100, 330;
345/7–9; 351/158

See application file for complete search history.

(56) **References Cited**

U.S. PATENT DOCUMENTS

D303,755 S * 10/1989 McCarthy D8/349
D318,283 S * 7/1991 Cleveland D16/330
D324,990 S * 3/1992 Gary D8/354
D334,557 S * 4/1993 Hunter et al. D14/372
D337,320 S * 7/1993 Hunter et al. D14/372
D356,246 S * 3/1995 Adams D8/395
D356,641 S * 3/1995 Stewart et al. D8/349
D374,739 S * 10/1996 Blanton D8/395
D402,651 S * 12/1998 Depay et al. D14/372
D414,398 S * 9/1999 Benz et al. D8/354
6,023,372 A * 2/2000 Spitzer et al. 345/8
D435,211 S * 12/2000 Rusch D8/349
6,349,001 B1 * 2/2002 Spitzer 351/158
6,384,982 B1 * 5/2002 Spitzer 359/630
6,406,144 B1 * 6/2002 Waters 351/56

6,618,099 B1 * 9/2003 Spitzer 349/13
D511,789 S * 11/2005 Canavan et al. D16/330
D536,606 S * 2/2007 Cox et al. D8/395
D537,078 S * 2/2007 Tanaka et al. D14/372
D543,834 S * 6/2007 Worthy D8/354
D553,178 S * 10/2007 Yip et al. D16/330
D559,250 S * 1/2008 Pombo D14/372
D582,918 S * 12/2008 Scott D14/432
2006/0203084 A1 * 9/2006 Okazaki et al. 348/46

* cited by examiner

Primary Examiner—Cathron C Brooks

Assistant Examiner—Deanna Fluegeman

(74) *Attorney, Agent, or Firm*—Oliff & Berridge, PLC

(57) **CLAIM**

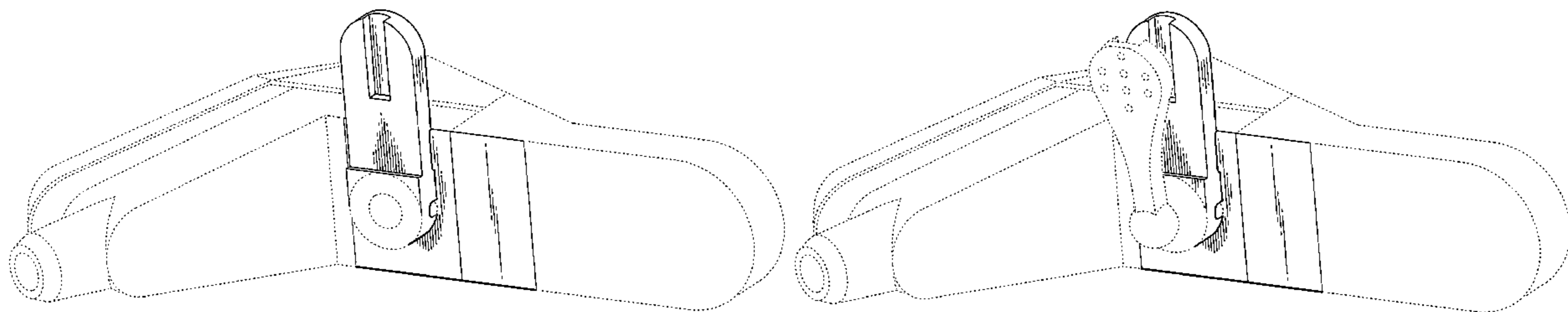
The ornamental design for an image display device, as shown and described.

DESCRIPTION

FIG. 1 is a front view of an image display device;
FIG. 2 is a rear view thereof;
FIG. 3 is a perspective view thereof;
FIG. 4 is a top view thereof;
FIG. 5 is a bottom view thereof;
FIG. 6 is a right-side view thereof;
FIG. 7 is a left-side view thereof;
FIG. 8 is a front view of the image display device including an unclaimed portion in use;
FIG. 9 is a perspective view thereof;
FIG. 10 is a top view thereof;
FIG. 11 is a bottom view thereof;
FIG. 12 is a right-side view thereof; and,
FIG. 13 is a left-side view thereof.

The broken lines depict environmental subject matter only and form no part of the claimed design.

1 Claim, 11 Drawing Sheets



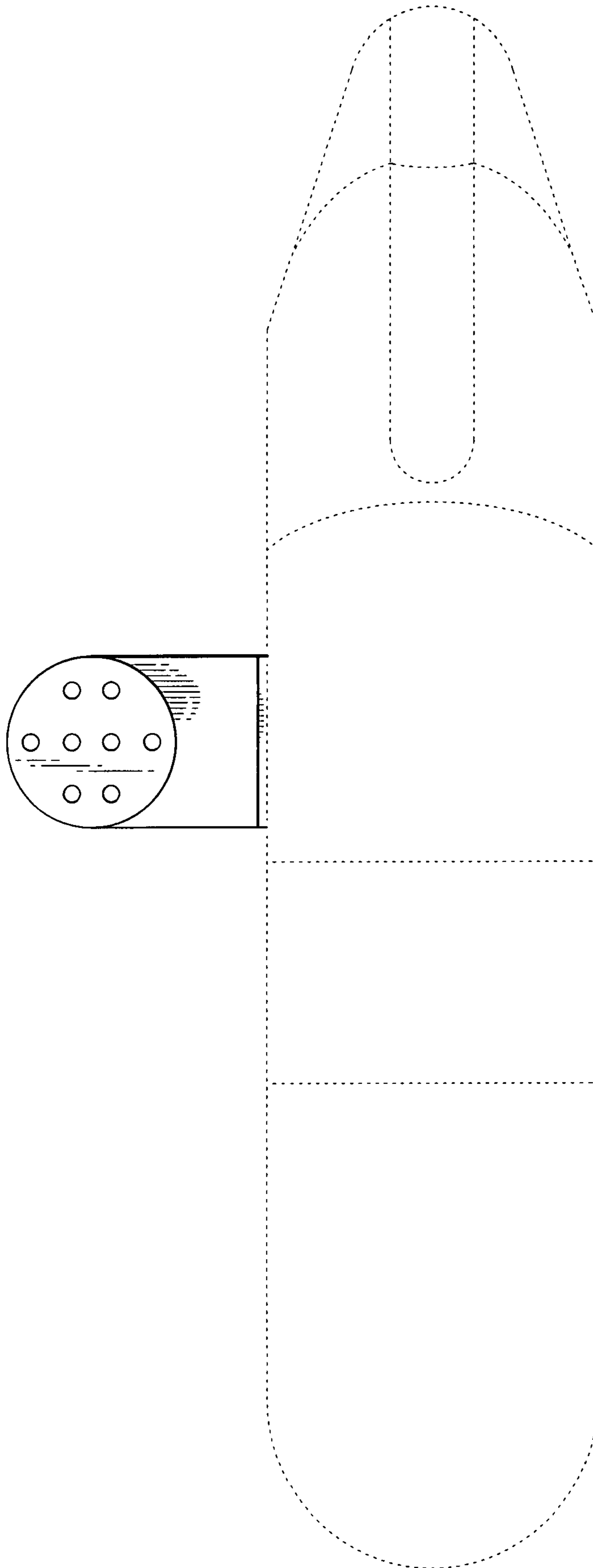


FIG. 1

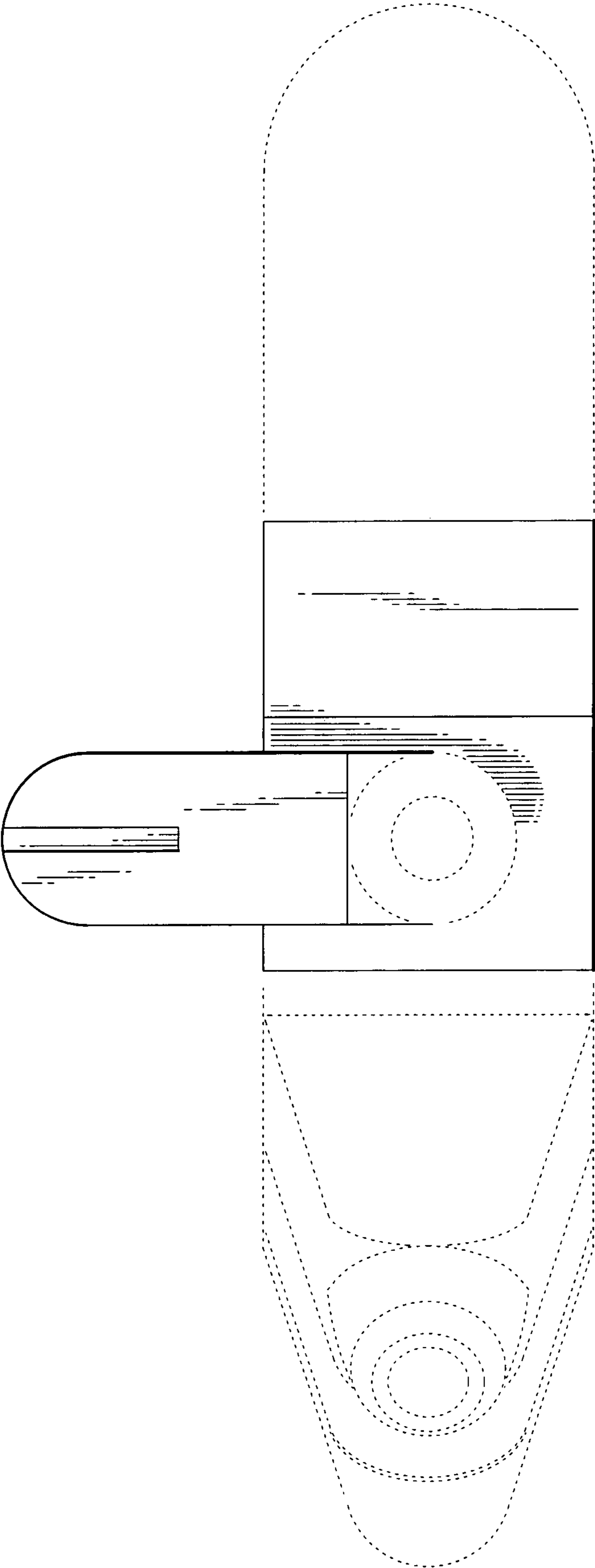


FIG. 2

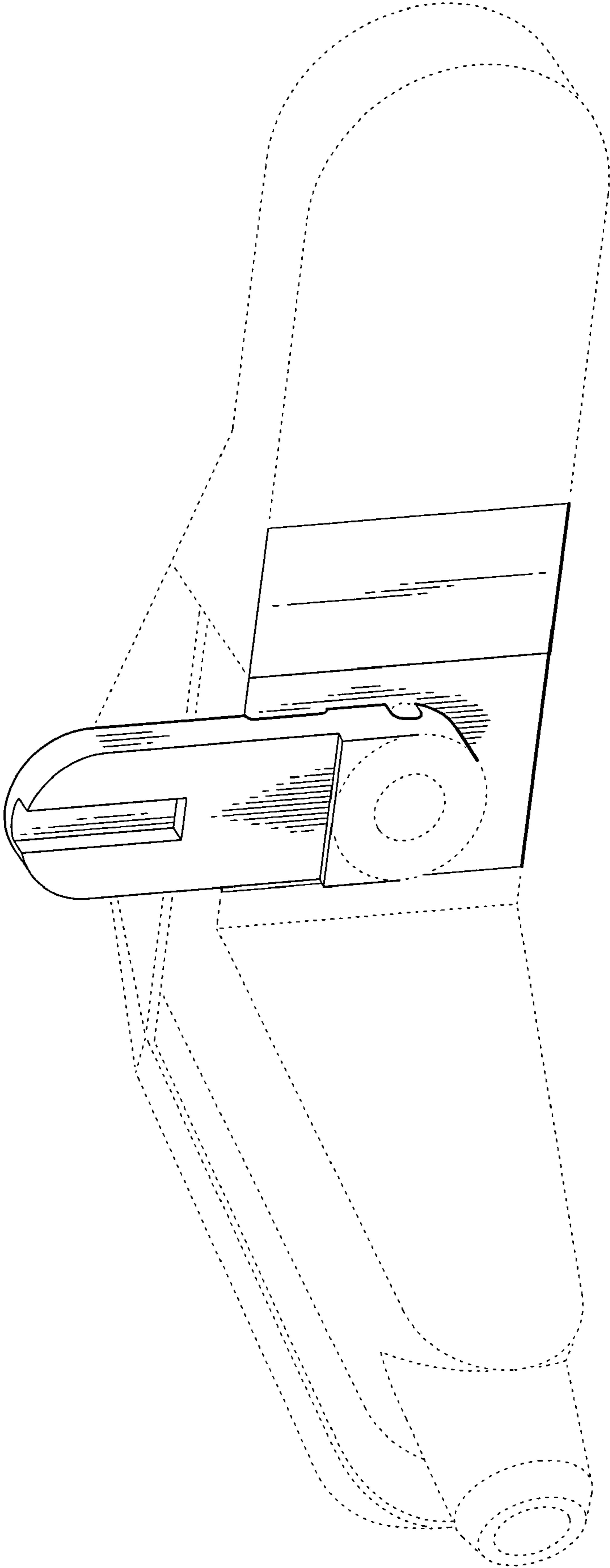


FIG. 3

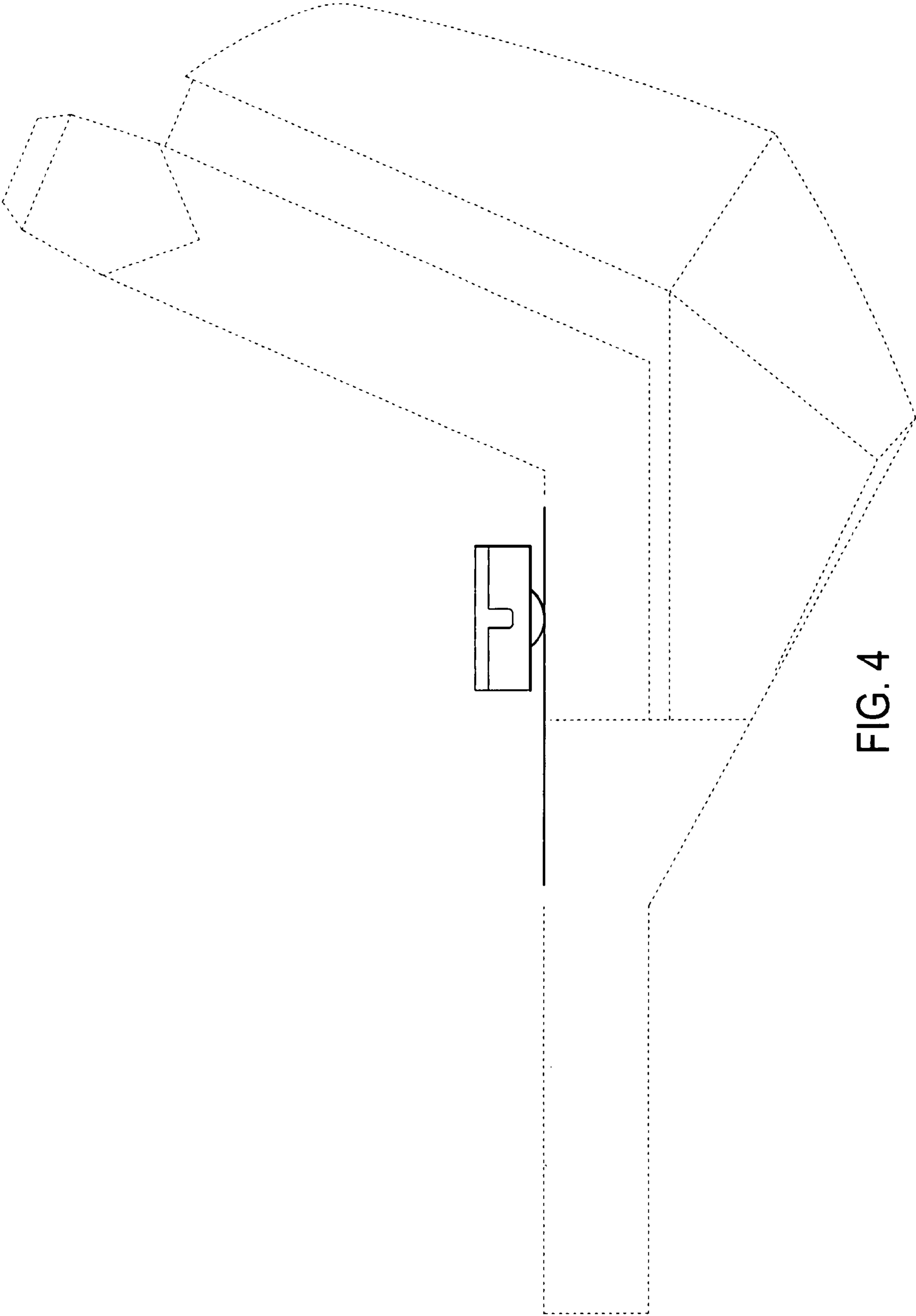


FIG. 4

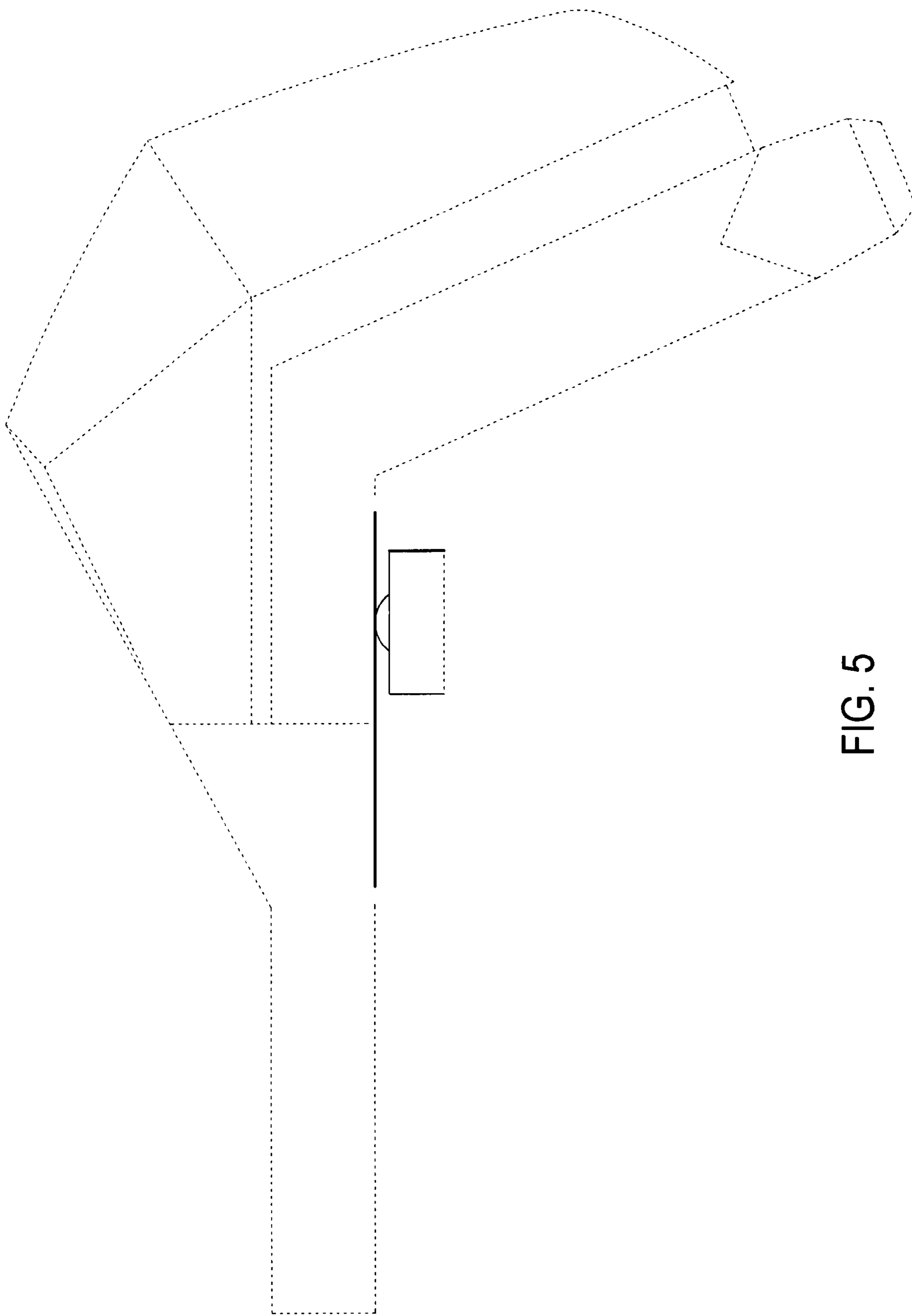


FIG. 5

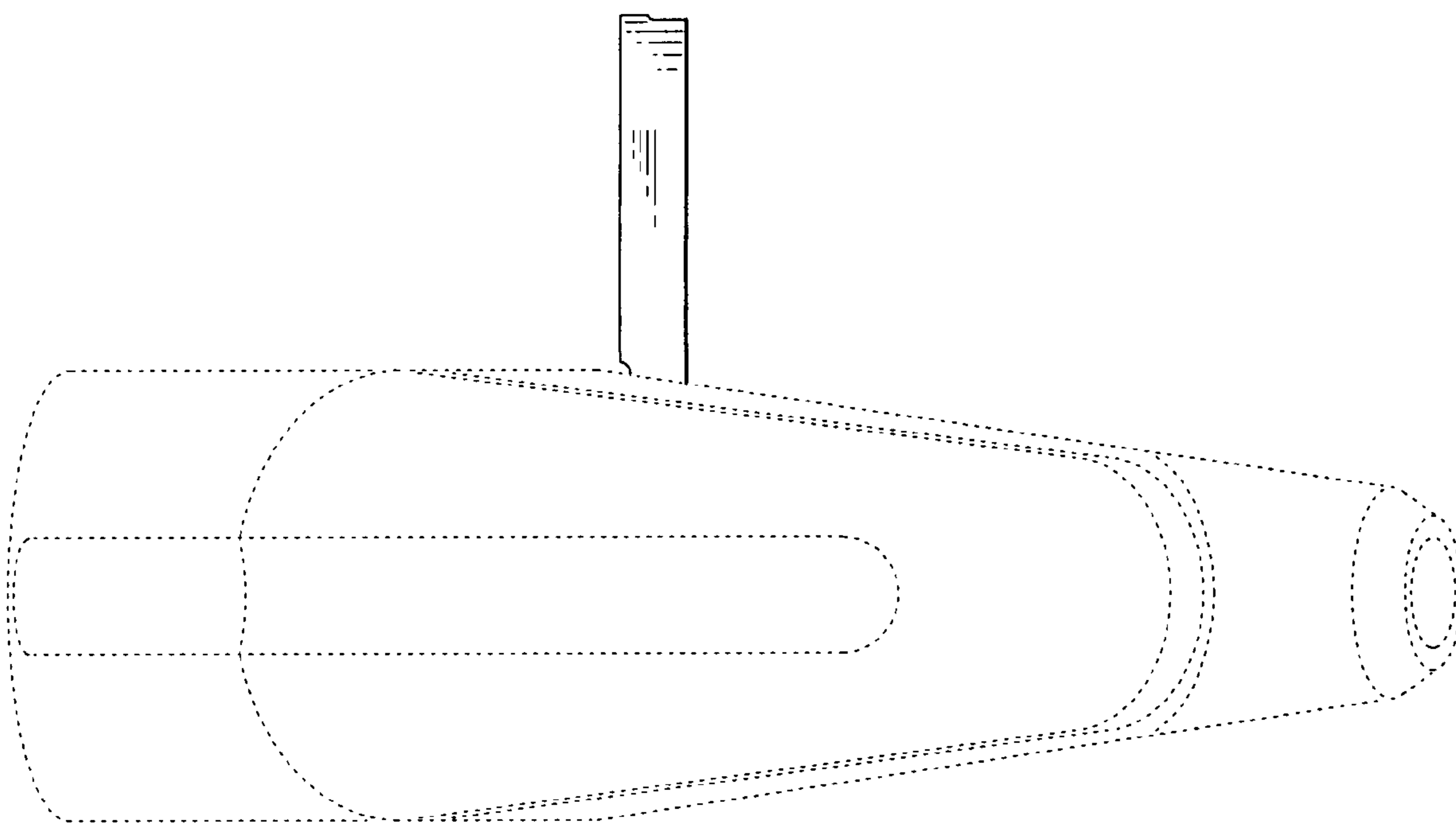


FIG. 6

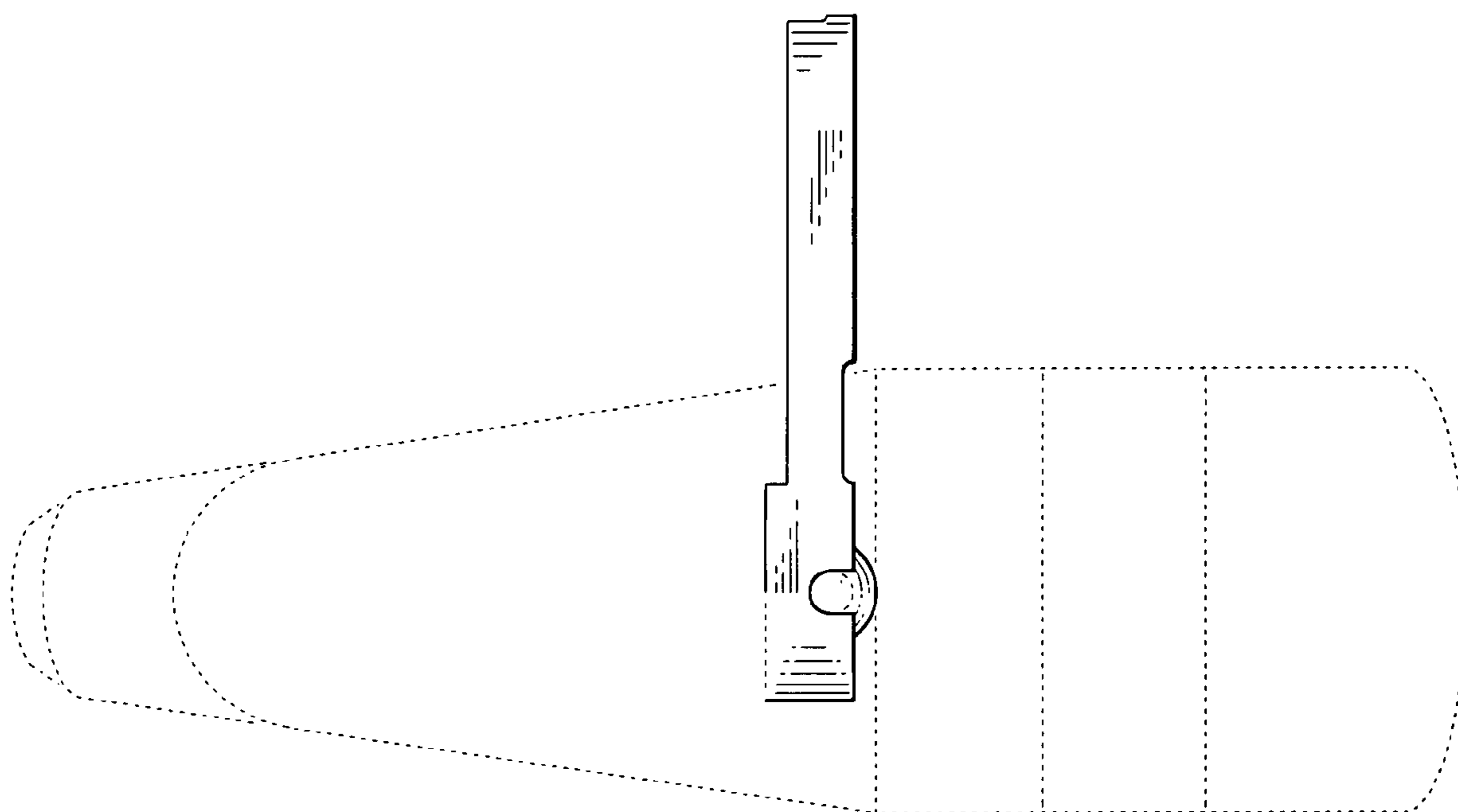


FIG. 7

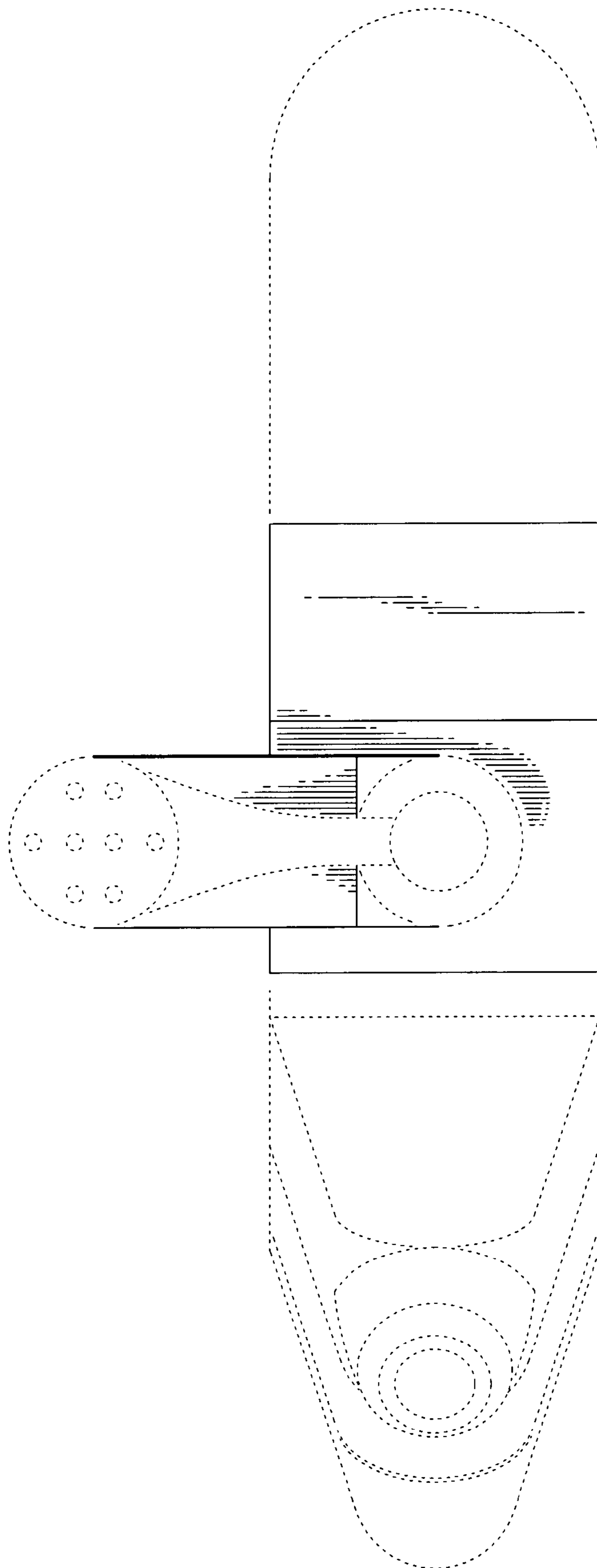


FIG. 8

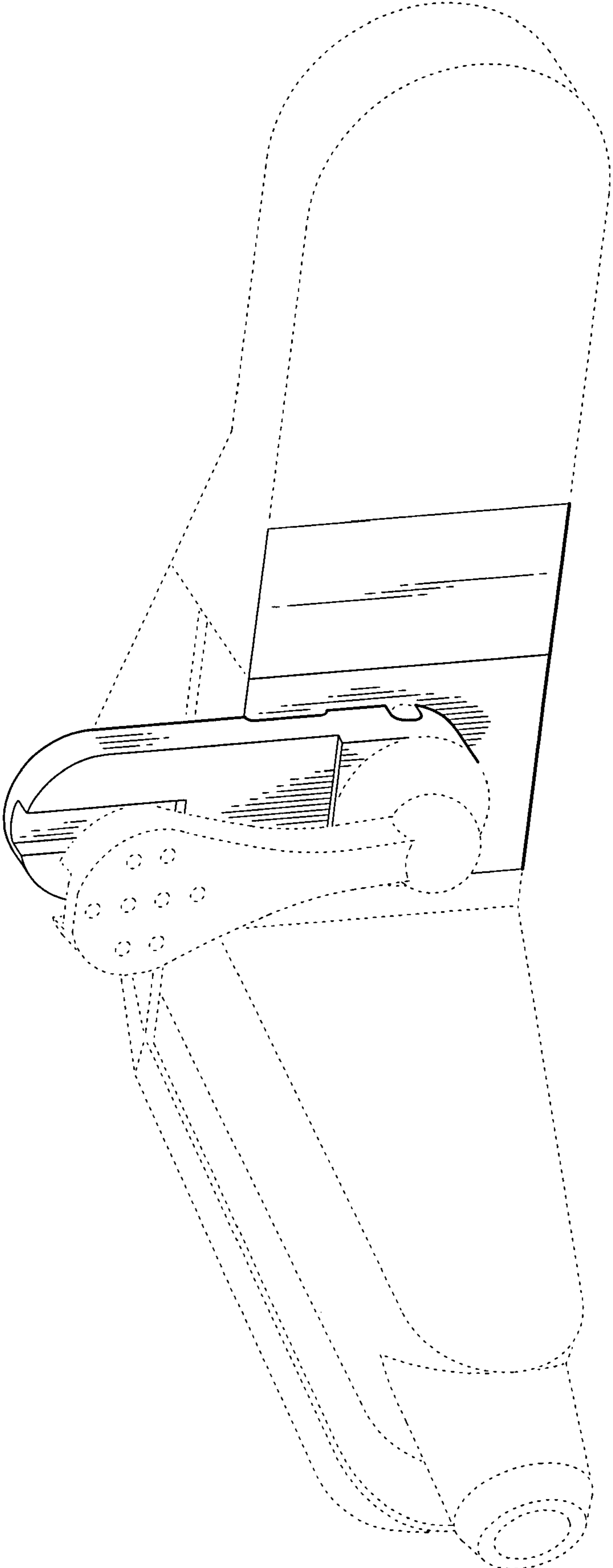


FIG. 9

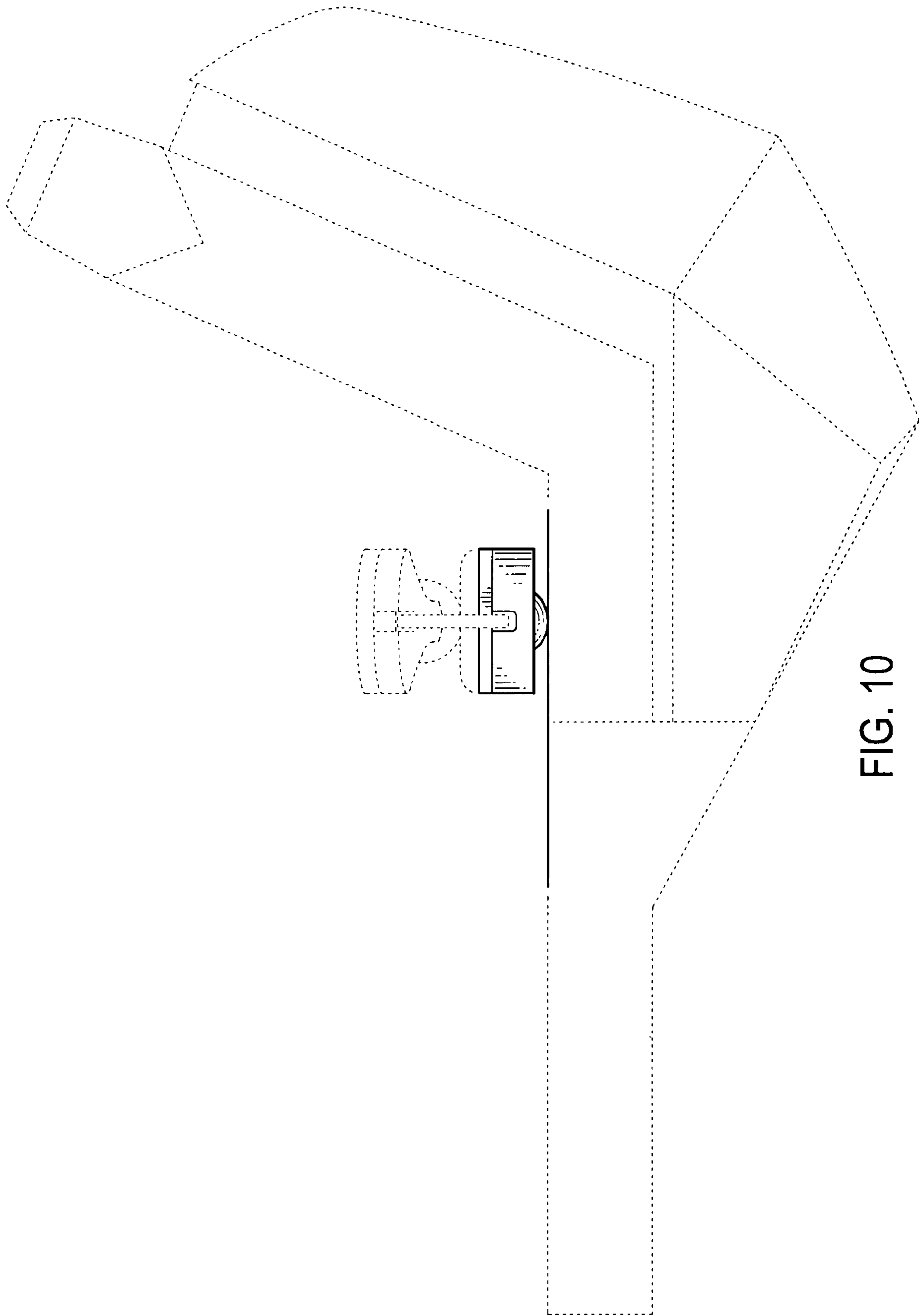


FIG. 10

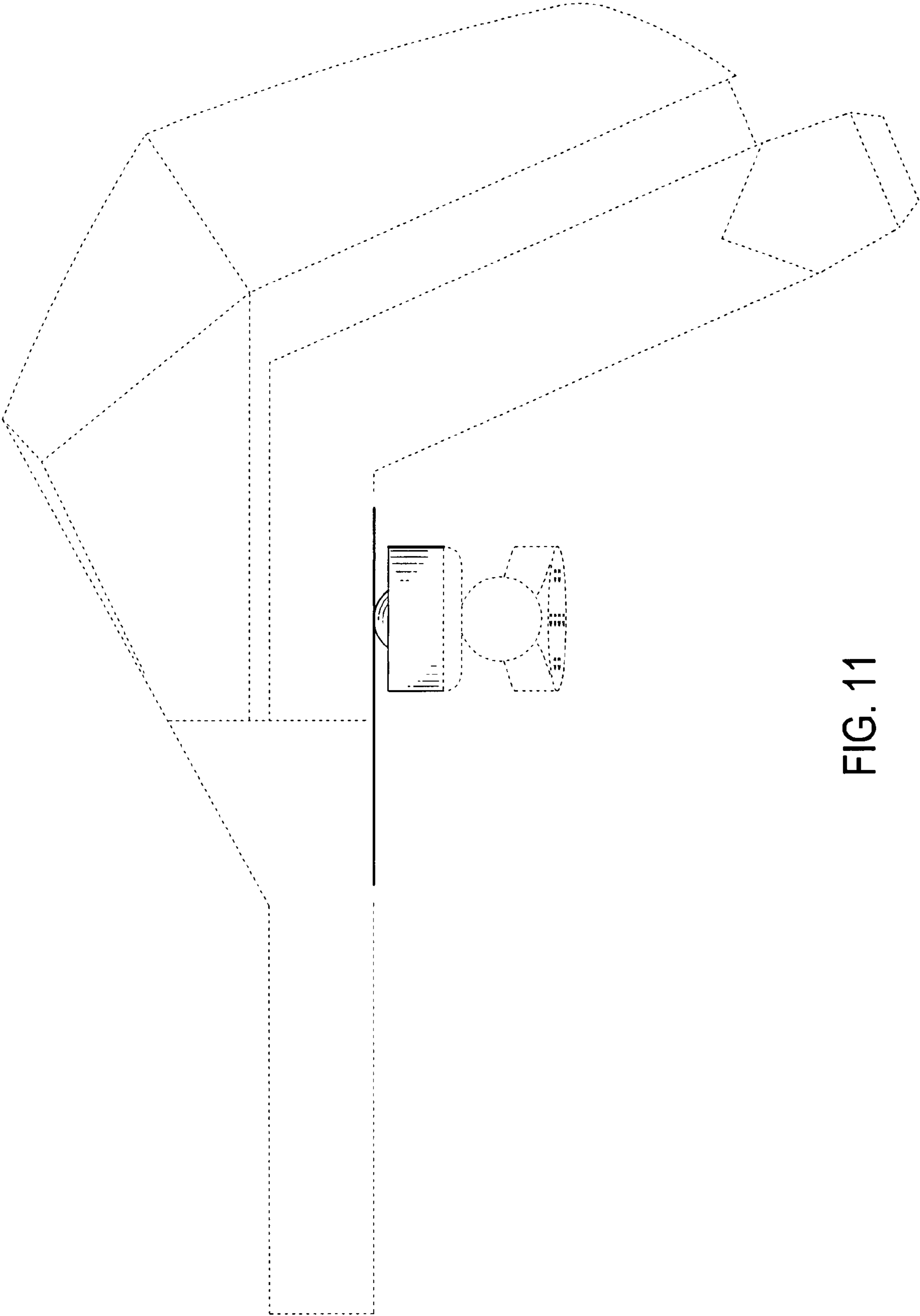


FIG. 11

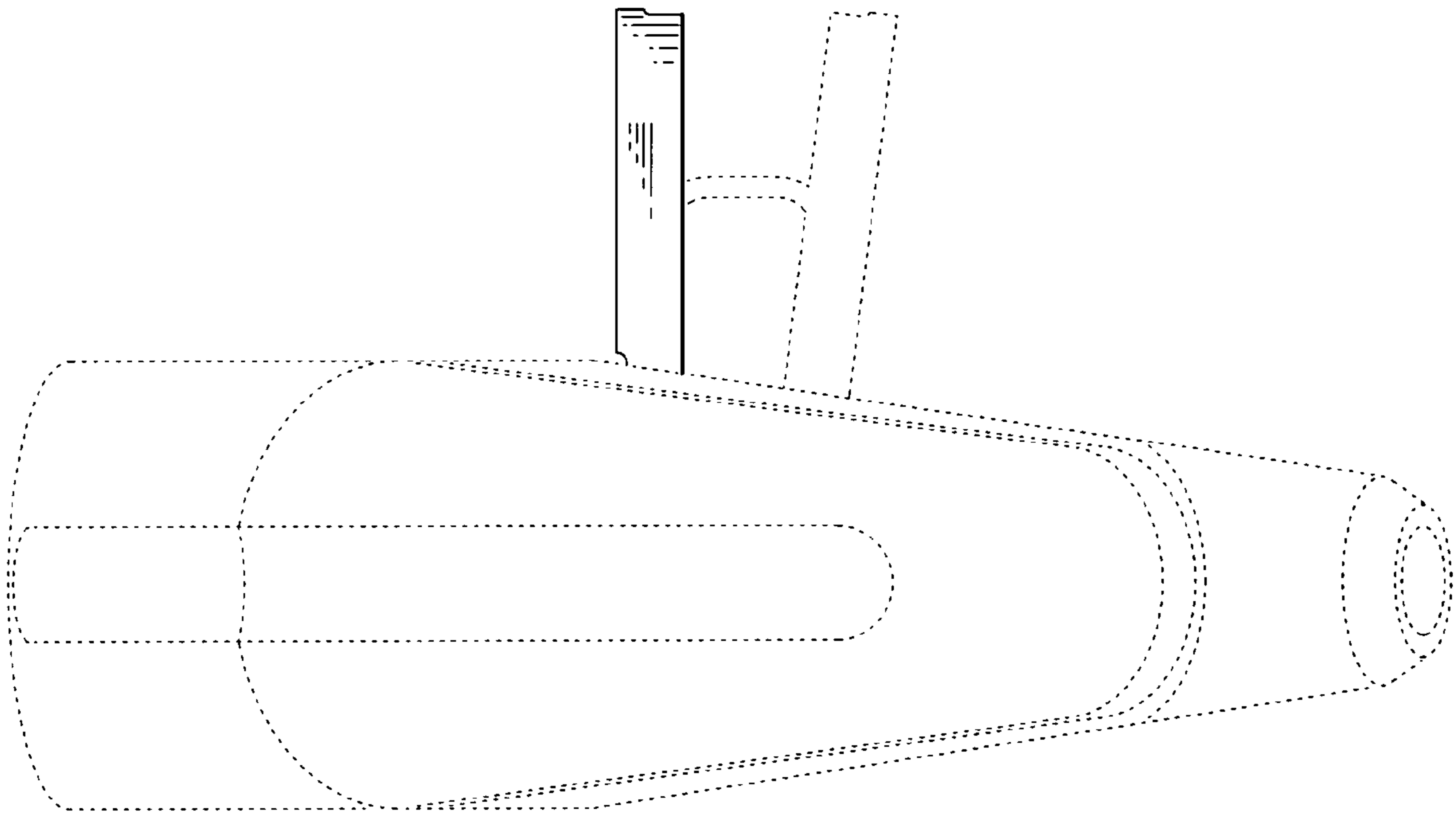


FIG. 12

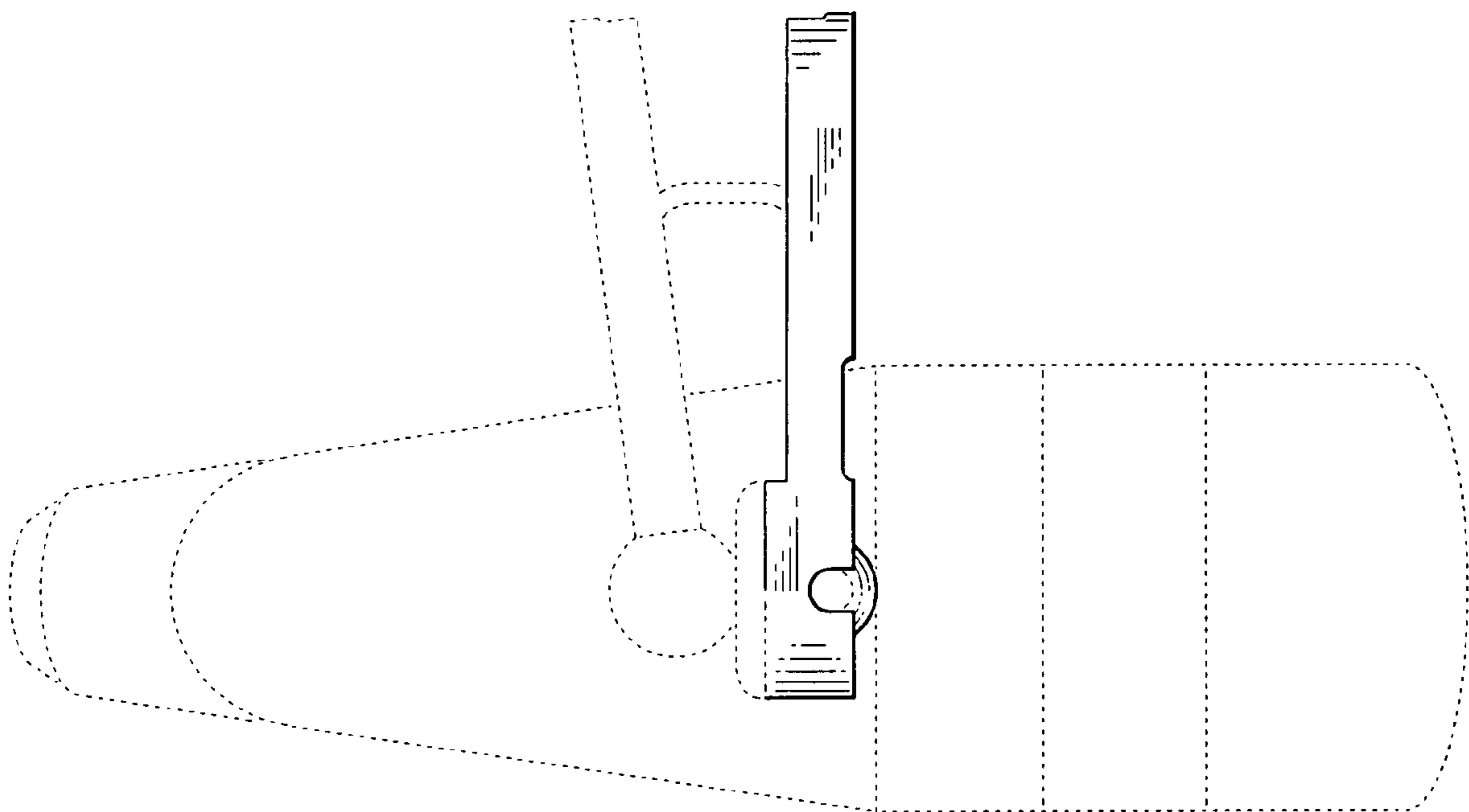


FIG. 13