



US00D609212S

(12) **United States Design Patent**  
**Turnbull et al.**

(10) **Patent No.:** **US D609,212 S**

(45) **Date of Patent:** **\*\* Feb. 2, 2010**

(54) **TELEPHONE SET**

(75) Inventors: **Robert Turnbull**, Calgary (CA);  
**Alexander Feldman**, Vancouver (CA);  
**David Render**, Belleville (CA); **Robbie Roberts**, Port Moody (CA)

(73) Assignee: **Nortel Networks Limited**, St. Laurent, Quebec (CA)

(\*\*) Term: **14 Years**

(21) Appl. No.: **29/297,958**

(22) Filed: **Nov. 23, 2007**

(51) **LOC (9) Cl.** ..... **14-03**

(52) **U.S. Cl.** ..... **D14/151**

(58) **Field of Classification Search** ..... D14/151,  
D14/137, 138 R, 138 AA, 138 AC, 138 G,  
D14/140, 142, 147-150, 240, 242, 247-248,  
D14/487, 489, 492; 379/419, 428.01-428.04,  
379/454-456, 440, 446, 434-436

See application file for complete search history.

(56) **References Cited**

**U.S. PATENT DOCUMENTS**

D206,590 S	1/1967	Haggstrom	
D227,117 S	6/1973	Breger	
D277,476 S *	2/1985	Foggia et al. ....	D14/140.8
D306,027 S *	2/1990	Gagnon .....	D14/140.9
D313,221 S	12/1990	Skully et al.	
D318,276 S	7/1991	Fuqua et al.	
D321,885 S	11/1991	Sheldrake	
D325,576 S	4/1992	Pitkonen	
5,121,427 A	6/1992	Gumb	
D345,558 S *	3/1994	Hillenmayer et al. ....	D14/151
D346,384 S *	4/1994	Ford et al. ....	D14/151
D362,249 S	9/1995	Burstedt et al.	
D366,484 S	1/1996	Levin	
D368,091 S	3/1996	Yoshihiko et al.	
D374,674 S *	10/1996	Elkins et al. ....	D14/140.9
D375,094 S	10/1996	Toh	

(Continued)

**OTHER PUBLICATIONS**

“Nortel IP 1140E Telephone”, 4 pages [on line], [retrieved on Jan. 22, 2009]. Retrieved from Internet, <URL: <http://www.google.com>>.\*

“IP Phone 1140E with Expansion Module”, 4 pages [on line], [retrieved on Jan. 22, 2009]. Retrieved from Internet, <URL: <http://www.google.com>>.\*

(Continued)

*Primary Examiner*—Ian Simmons

*Assistant Examiner*—Wan Laymon

(74) *Attorney, Agent, or Firm*—Ridout & Maybee LLP

(57) **CLAIM**

The ornamental design for a telephone set, as shown and described.

**DESCRIPTION**

FIG. 1 is a top, front, left side perspective view of an embodiment of a telephone set at a first position of inclination according to the new design;

FIG. 2 is a left side view thereof;

FIG. 3 is a right side view thereof;

FIG. 4 is a right side view thereof in a second position of inclination;

FIG. 5 is a bottom perspective view thereof;

FIG. 6 is a rear view of the telephone set of FIG. 1 at the second position of inclination;

FIG. 7 is a rear, left side perspective view of the telephone set of FIG. 1 at the second position of inclination;

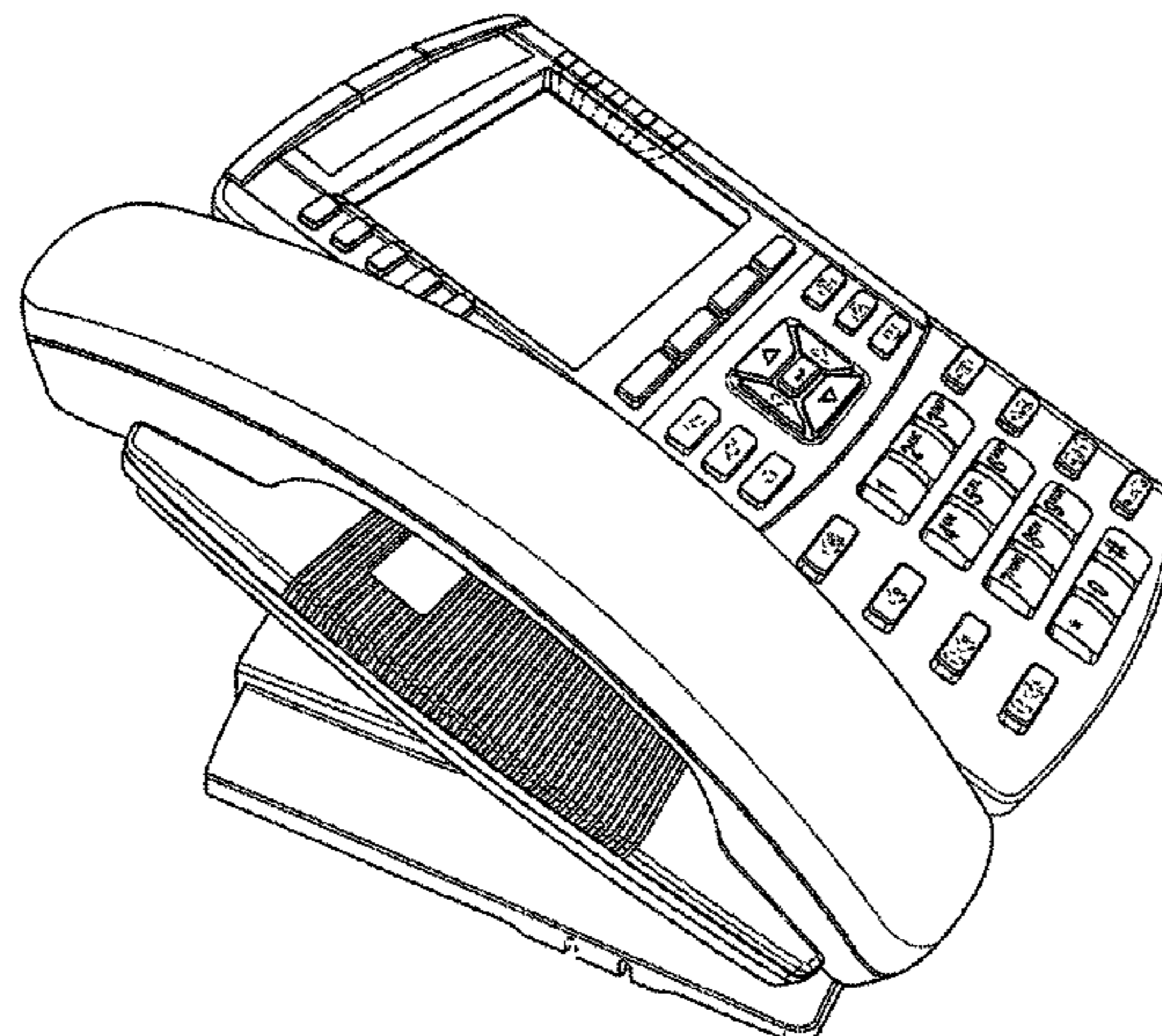
FIG. 8 shows a top view of a second variant of the telephone set of FIG. 1;

FIG. 9 shows a top view of a third variant of the telephone set of FIG. 1; and,

FIG. 10 shows a top view of the telephone set of FIG. 1.

The broken line showing portions of the telephone set is included for illustrating environmental structure and forms no part of the claimed design.

**1 Claim, 10 Drawing Sheets**



# US D609,212 S

Page 2

## U.S. PATENT DOCUMENTS

D387,056 S 12/1997 Yoneyama  
D387,063 S \* 12/1997 Hillenmayer et al. ... D14/140.9  
5,961,016 A 10/1999 Hartmann et al.  
6,038,314 A 3/2000 Dynie et al.  
D427,985 S 7/2000 Takayama et al.  
D428,000 S \* 7/2000 Takayama et al. .... D14/140.9  
6,104,807 A \* 8/2000 Johnson et al. .... 379/428.04  
D433,991 S 11/2000 Buchin et al.  
D439,231 S \* 3/2001 Song ..... D14/144  
D451,486 S 12/2001 Sekiguchi  
D459,332 S 6/2002 Peiker  
6,438,229 B1 8/2002 Overy et al.  
D463,390 S 9/2002 Shen et al.  
6,445,793 B1 9/2002 Vassallo et al.  
D468,685 S 1/2003 Hennenfent et al.  
D472,236 S \* 3/2003 Schramm et al. .... D14/144  
D482,342 S 11/2003 Weidinger  
D482,679 S \* 11/2003 Hillenmayer ..... D14/140.9  
D487,435 S 3/2004 Huang et al.  
D490,394 S 5/2004 Taniguchi et al.  
D499,078 S 11/2004 Abe et al.  
D512,705 S 12/2005 Bhavnani  
D530,303 S \* 10/2006 Tang ..... D14/151  
D530,701 S 10/2006 West et al.

7,130,421 B2 \* 10/2006 Xue ..... 379/435  
D537,065 S \* 2/2007 Chen ..... D14/151  
7,216,401 B2 5/2007 Bae  
D556,181 S 11/2007 Liu  
D556,191 S \* 11/2007 Griffin ..... D14/247  
D558,181 S 12/2007 Takada et al.  
D563,400 S \* 3/2008 Arnholt et al. .... D14/247  
D573,974 S \* 7/2008 Liu ..... D14/140.8  
D574,816 S \* 8/2008 Tang ..... D14/247  
D577,706 S \* 9/2008 Andrews et al. .... D14/151  
2003/0012367 A1 1/2003 Seo  
2003/0193478 A1 \* 10/2003 Ng et al. .... 345/168  
2004/0234071 A1 11/2004 Bae et al.  
2005/0069126 A1 3/2005 Xue

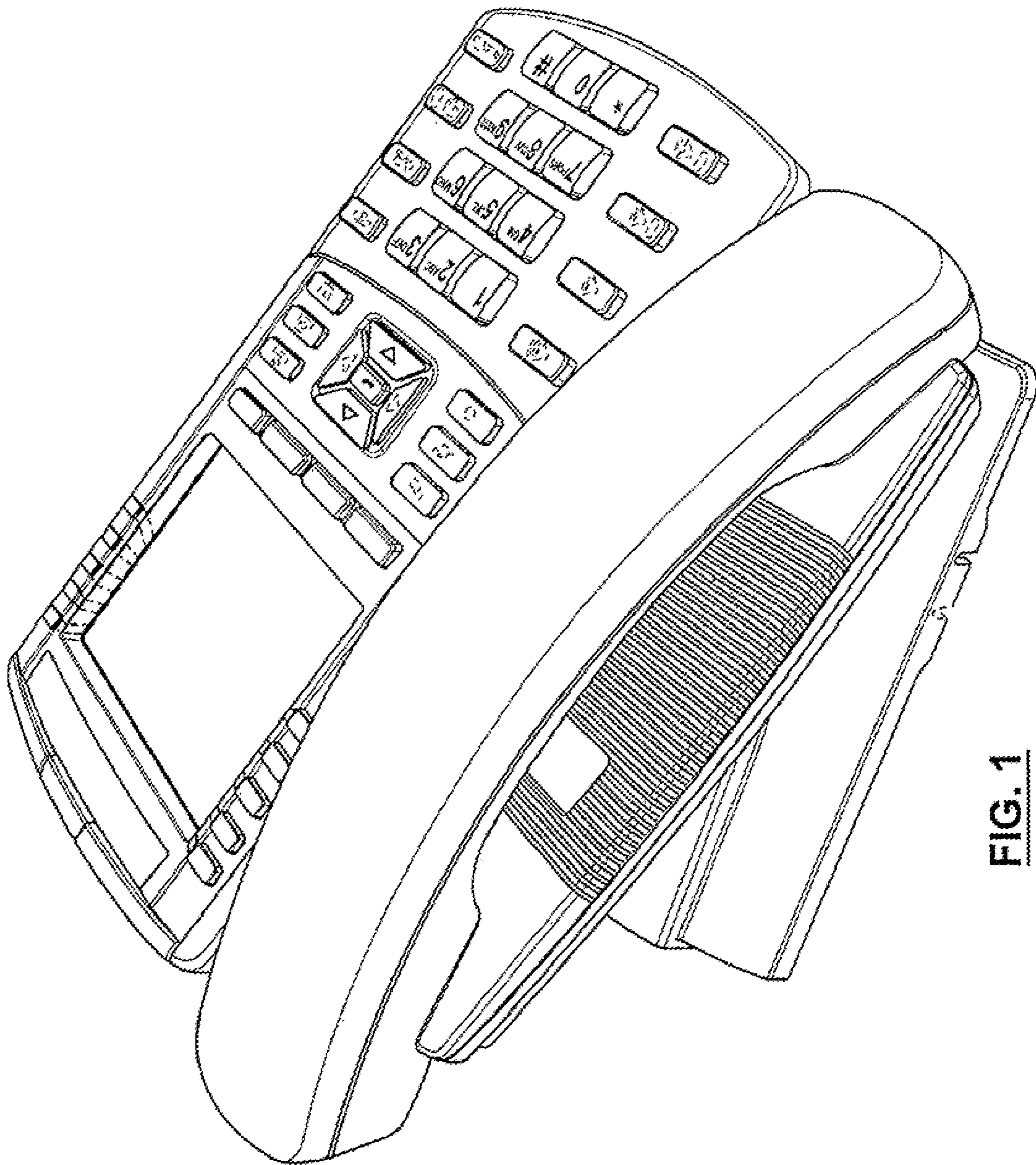
## OTHER PUBLICATIONS

“Expansion Module for IP Phone 2000 Series”, 4 pages [on line], [retrieved on Jan. 22, 2009]. Retrieved from Internet, <URL: <http://www.nortel.com>>.\*

“Nortel T7316 Phone—NT8B27”, 3 pages [on line], [retrieved on Jan. 22, 2009]. Retrieved from Internet, <URL: <http://www.google.com>>.\*

“IP Phone 1140 E”, 1 p including photo [online], URL:<http://products.nortel.com/go/product13>.

\* cited by examiner



**FIG. 1**

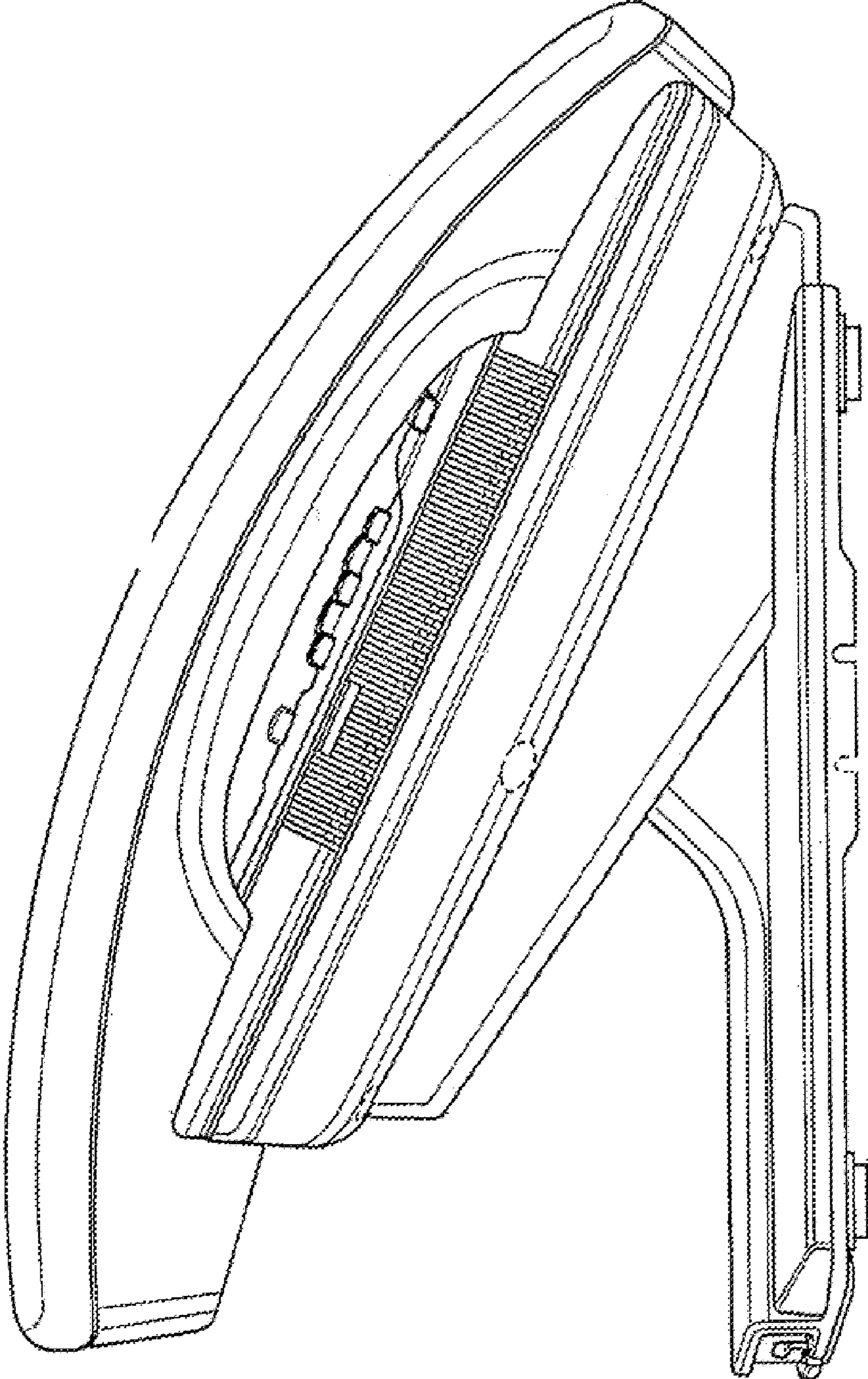
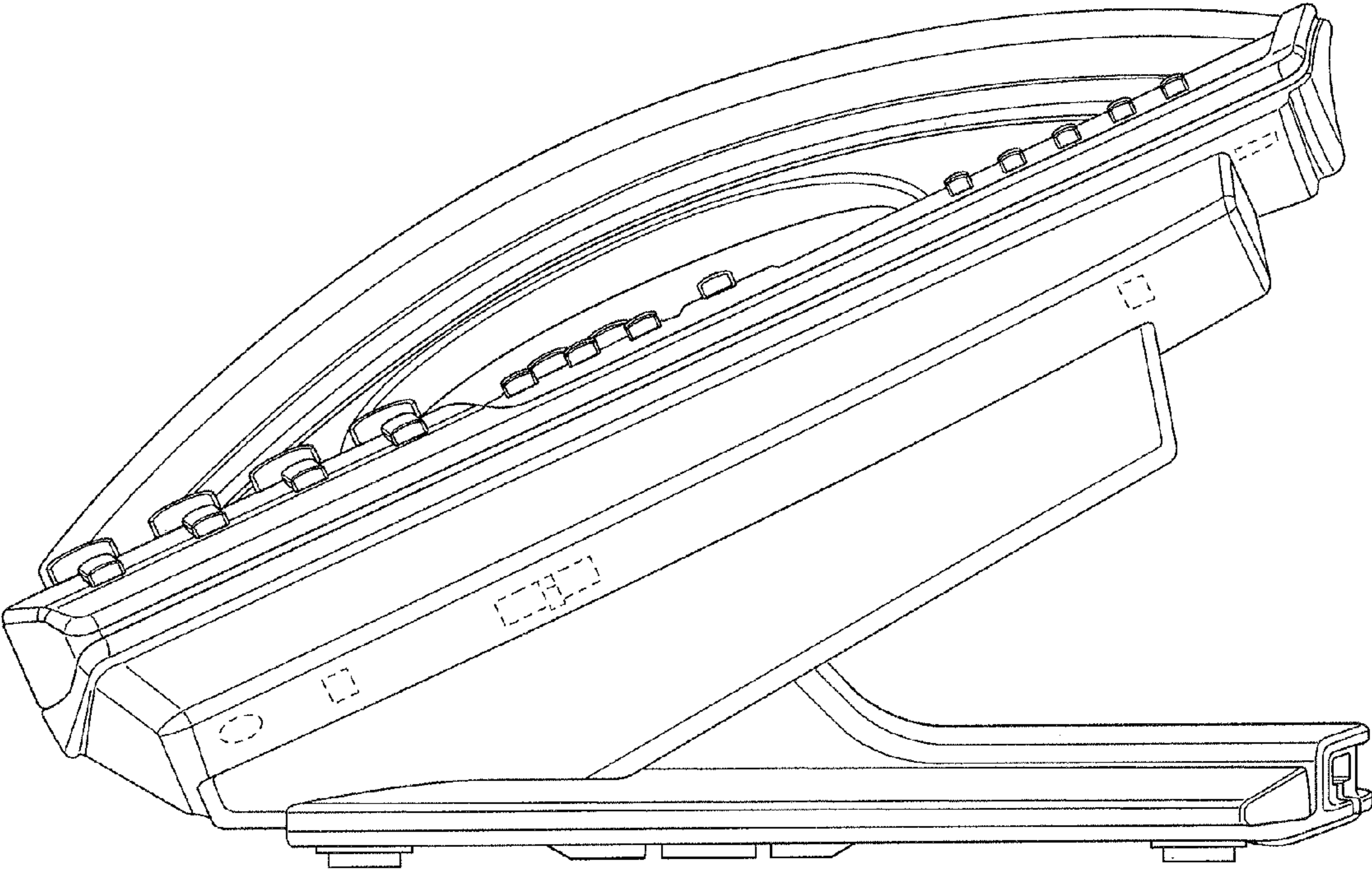
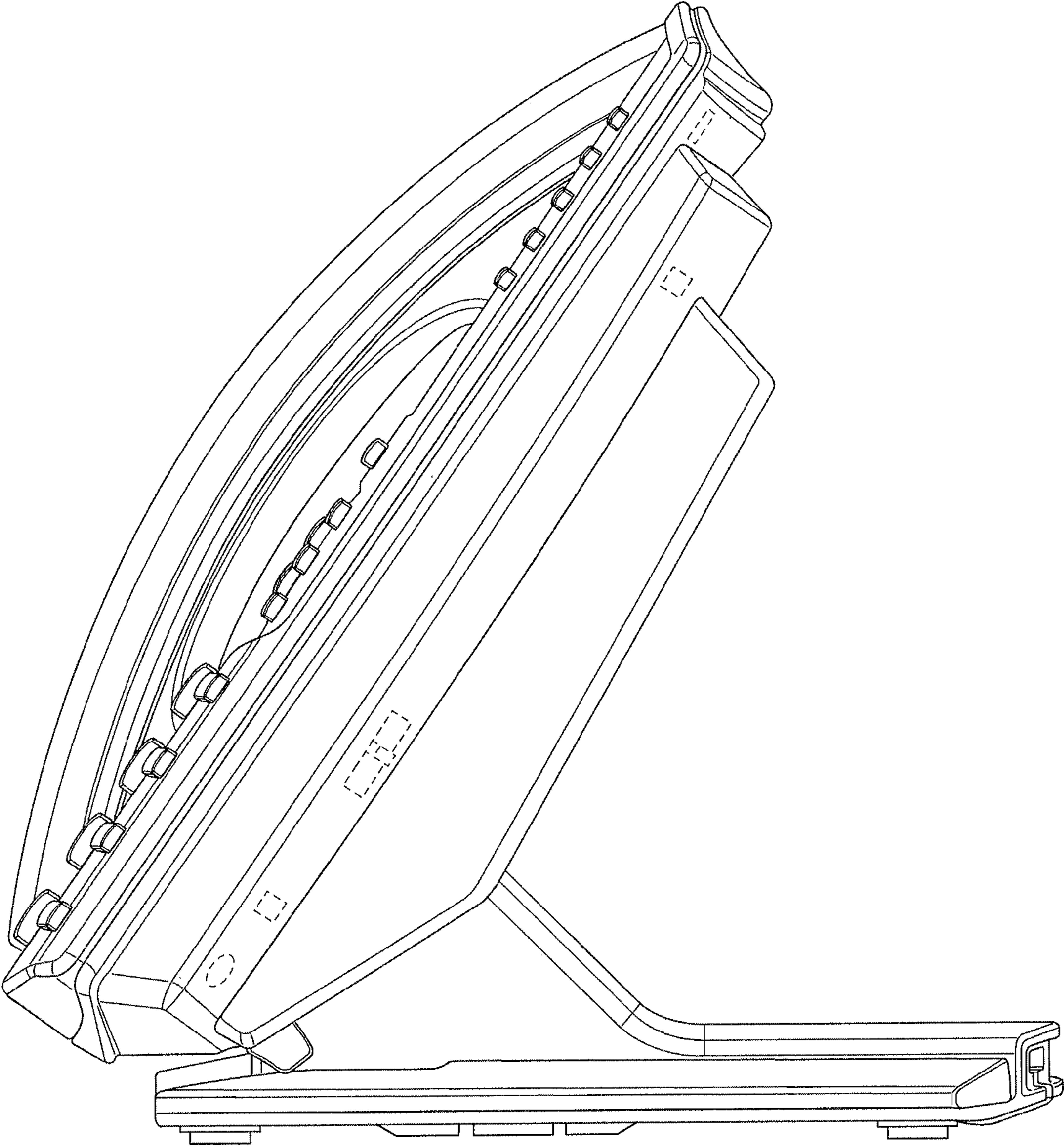


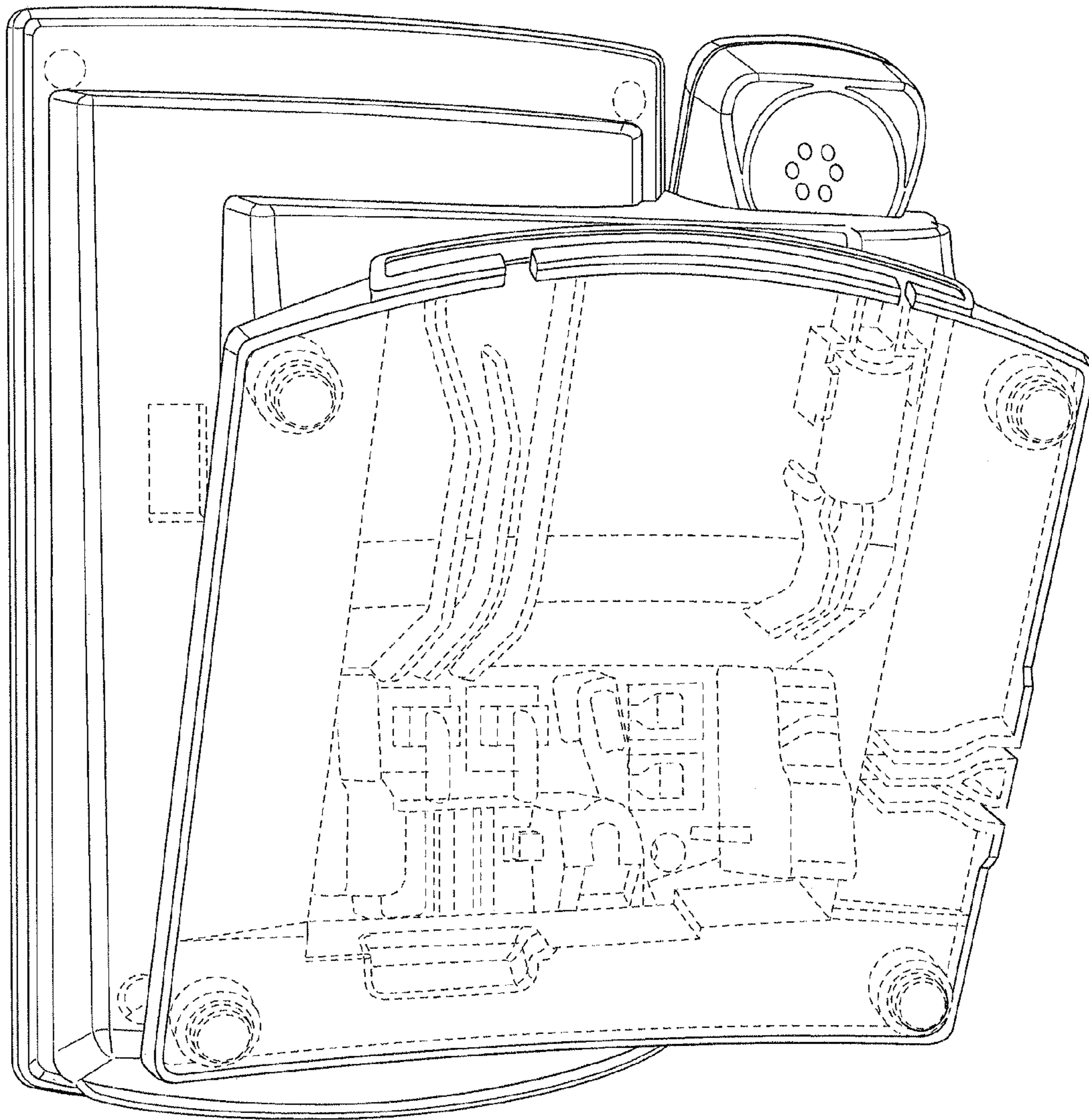
FIG. 2



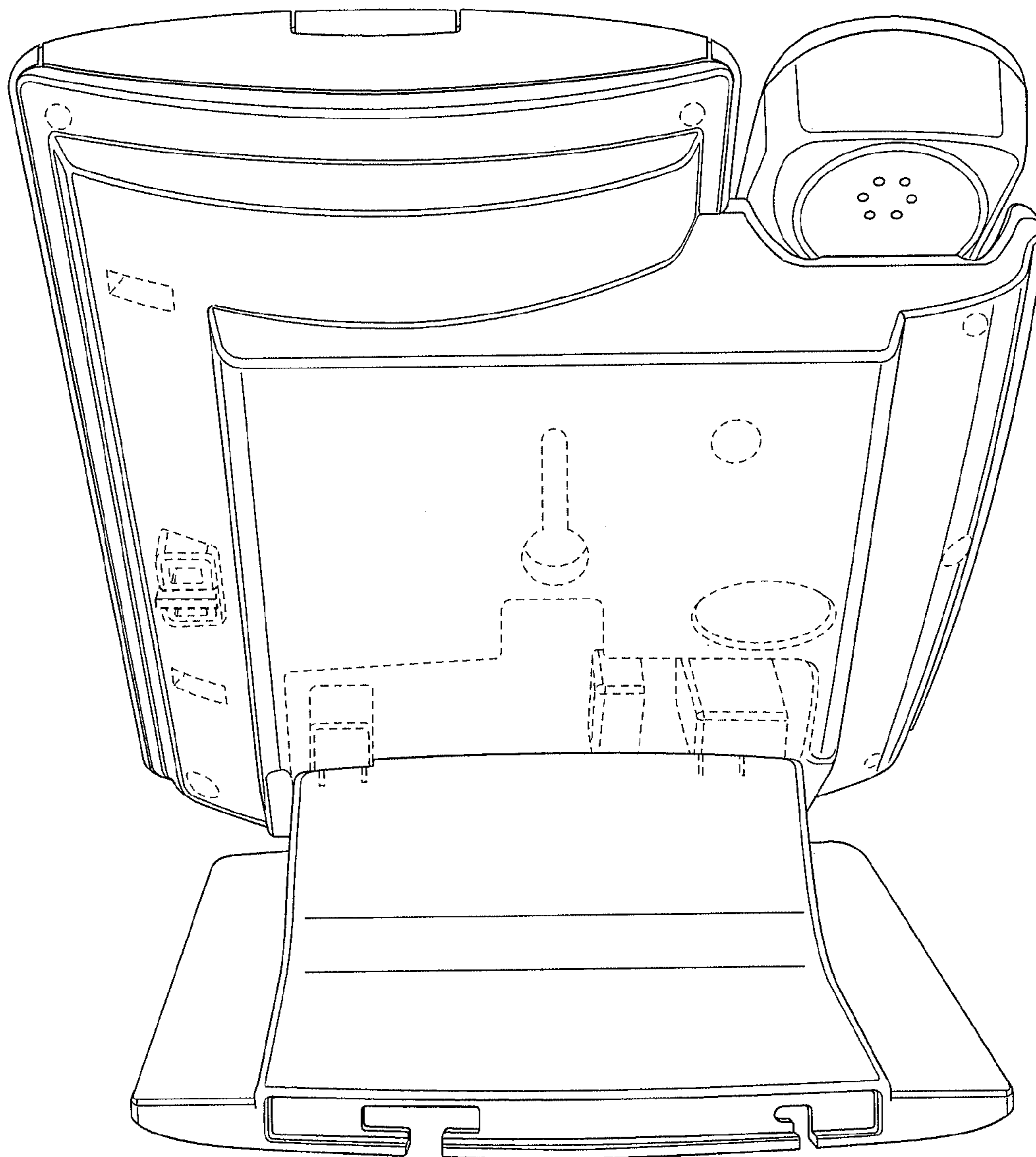
**FIG. 3**



**FIG. 4**

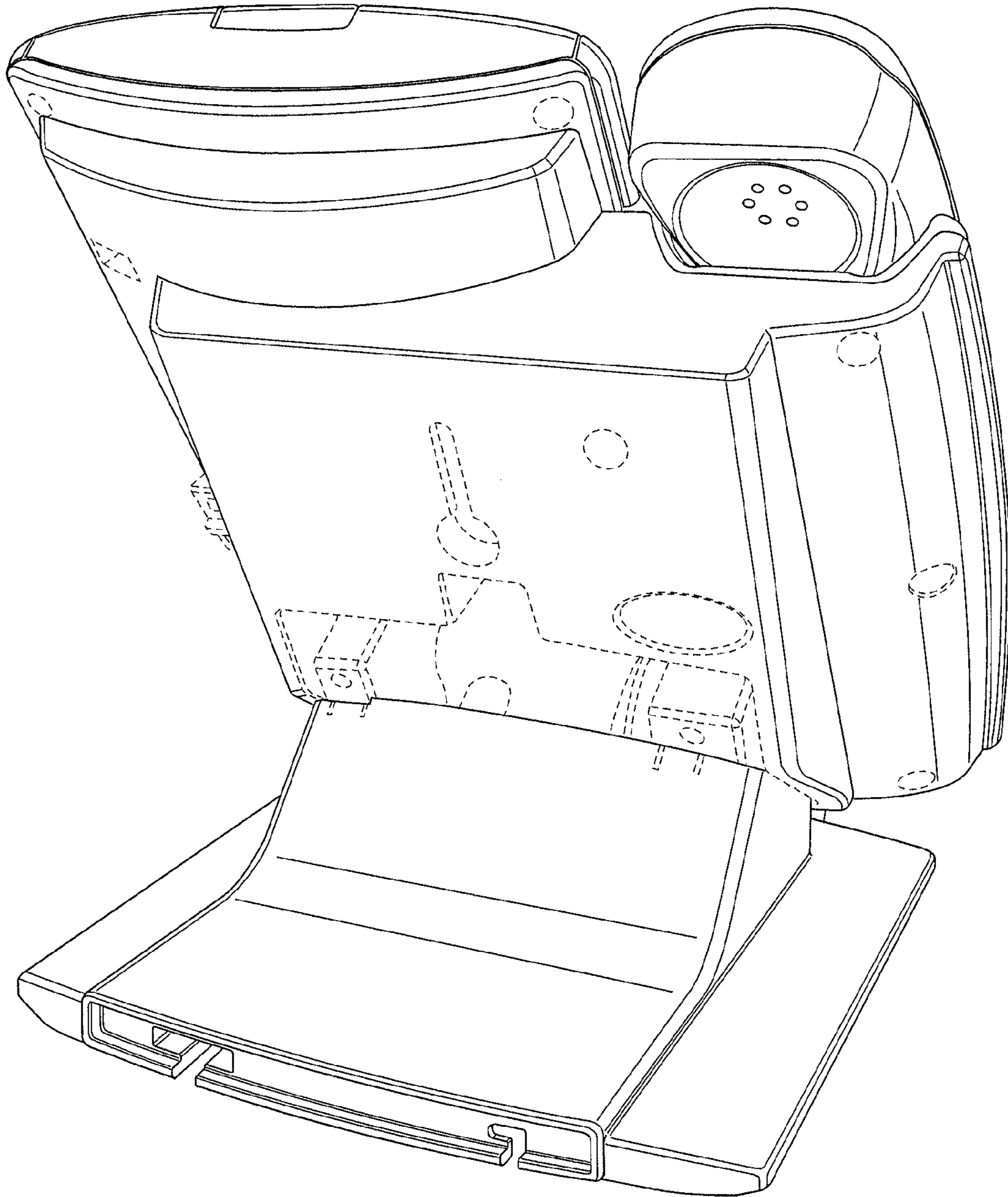


**FIG. 5**



**FIG. 6**





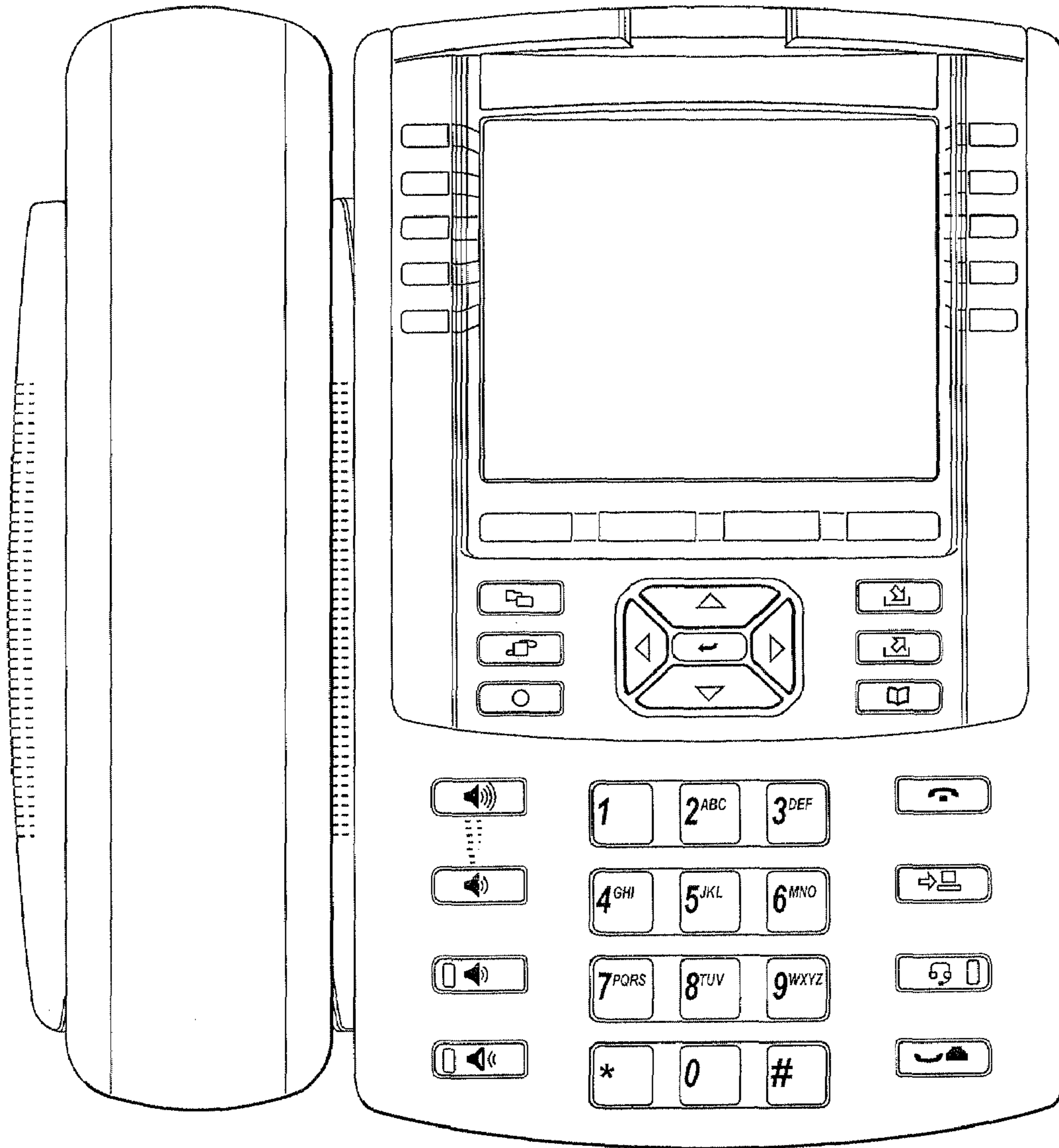
**FIG. 7**



**FIG. 8**



**FIG. 9**



**FIG. 10**