

US00D609204S

(12) **United States Design Patent**
Kim et al.

(10) **Patent No.:** **US D609,204 S**
(45) **Date of Patent:** **** Feb. 2, 2010**

(54) **PORTABLE PHONE**

(75) Inventors: **Yu-Guen Kim**, Seoul (KR); **Hyun-Seop Kim**, Seoul (KR); **Chang-Soo Lee**, Incheon-Si (KR)

(73) Assignee: **Samsung Electronics Co., Ltd.**, Suwon-Si (KR)

(**) Term: **14 Years**

(21) Appl. No.: **29/321,839**

(22) Filed: **Jul. 24, 2008**

(30) **Foreign Application Priority Data**

May 15, 2008 (KR) 30-2008-0020418

(51) **LOC (9) Cl.** **14-03**

(52) **U.S. Cl.** **D14/138 AA**

(58) **Field of Classification Search** D14/138 AA, D14/138 R, 147, 341, 346, 137; 455/575.1, 455/90.3, 556.1; 379/433.01, 433.04

See application file for complete search history.

(56) **References Cited**

U.S. PATENT DOCUMENTS

- D525,229 S * 7/2006 Friesen et al. D14/138 AA
- D532,767 S * 11/2006 Yoshino et al. D14/138 AA
- D543,186 S * 5/2007 Kim et al. D14/138 AA
- D546,809 S * 7/2007 Kim et al. D14/138 AA
- D548,217 S * 8/2007 Choi et al. D14/138 AA
- D548,219 S * 8/2007 Hwang D14/138 AA
- D549,208 S * 8/2007 Huang et al. D14/138 AA
- D550,193 S * 9/2007 Kim et al. D14/138 AA
- D555,141 S * 11/2007 Ho D14/138 AA
- D556,170 S * 11/2007 Lee et al. D14/138 AA
- D558,707 S * 1/2008 Travis et al. D14/138 AA
- D559,219 S * 1/2008 Suk et al. D14/138 AA
- D561,145 S * 2/2008 Di et al. D14/138 AA
- D562,282 S * 2/2008 Suk et al. D14/138 AA
- D562,297 S * 2/2008 Kim et al. D14/138 AA
- D574,802 S * 8/2008 Eroma et al. D14/138 AA
- D578,101 S * 10/2008 Park et al. D14/138 AA
- D583,350 S * 12/2008 Park et al. D14/138 AA

- D584,712 S * 1/2009 Okkonen D14/138 AA
- D588,563 S * 3/2009 Oh et al. D14/138 R
- D596,599 S * 7/2009 Kim et al. D14/138 AA
- D596,602 S * 7/2009 Cha et al. D14/138 AA
- D597,044 S * 7/2009 Suk et al. D14/138 AA
- D597,051 S * 7/2009 Kim et al. D14/138 AA
- 2008/0039156 A1 * 2/2008 Lee et al. 455/575.1

(Continued)

OTHER PUBLICATIONS

Samsung P220 telephone, announced Apr. 2008, [online], [site visited Sep. 16, 2009]. Available from Internet, <URL: <http://www.gsmarena.com>>.*

Samsung M200 telephone, announced Sep. 2008, [online], [site visited Sep. 16, 2009]. Available from Internet, <URL: <http://www.gsmarena.com>>.*

(Continued)

Primary Examiner—Jeffrey D Asch
(74) *Attorney, Agent, or Firm*—Staas & Halsey LLP

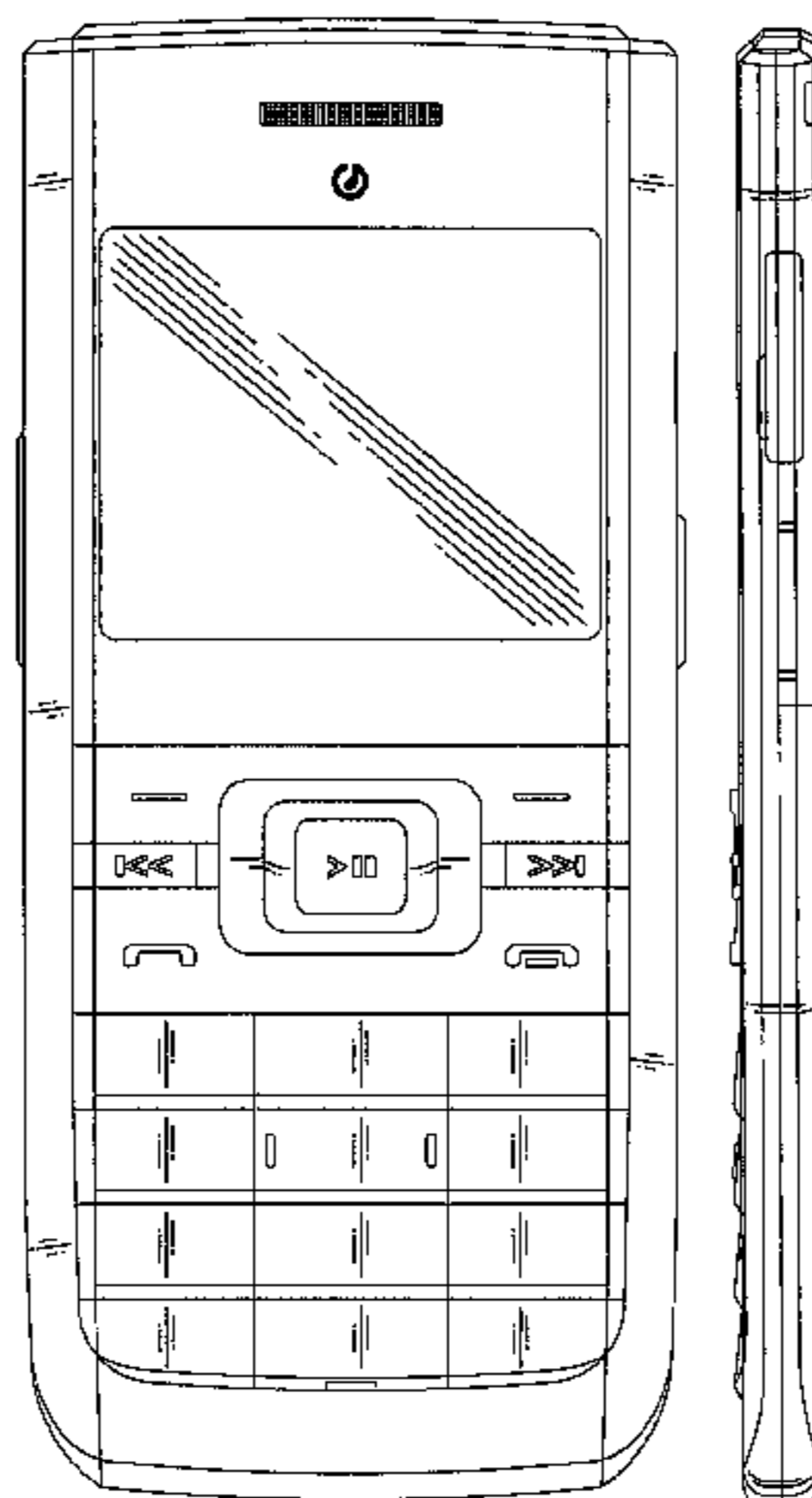
(57) **CLAIM**

The ornamental design for a portable phone, as shown and described.

DESCRIPTION

FIG. 1 is a perspective view of a portable phone;
FIG. 2 is a front view of the portable phone of FIG. 1;
FIG. 3 is a rear view of the portable phone of FIG. 1;
FIG. 4 is a left-side view of the portable phone of FIG. 1;
FIG. 5 is a right-side view of the portable phone of FIG. 1;
FIG. 6 is a top plan view of the portable phone of FIG. 1; and,
FIG. 7 is a bottom plan view of the portable phone of FIG. 1.

1 Claim, 5 Drawing Sheets



OTHER PUBLICATIONS

Pantech PG-1400 telephone, announced 3rd quarter 2005, [online], [site visited Sep. 16, 2009]. Available from Internet, <URL: <http://www.gsmarena.com>>.*

Samsung S7220 Ultra b telephone, announced Feb. 2009, [online], [site visited Sep. 16, 2009]. Available from Internet, <URL: <http://www.gsmarena.com>>.*

* cited by examiner

FIG. 1

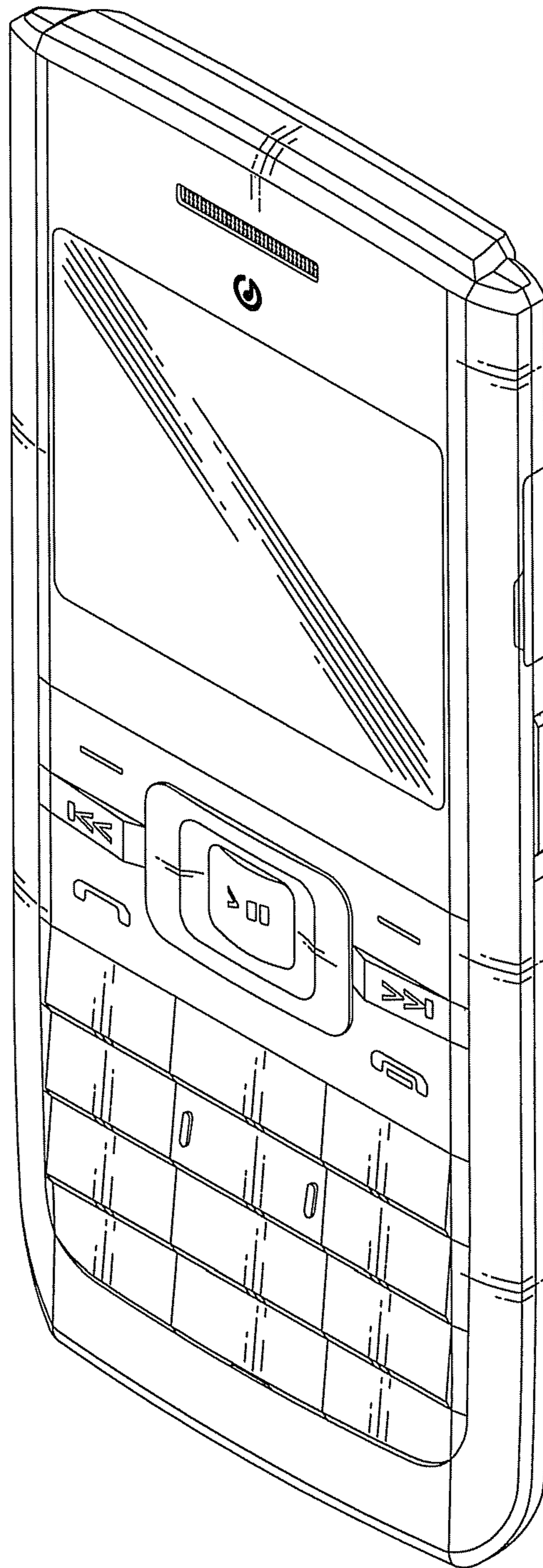


FIG. 2

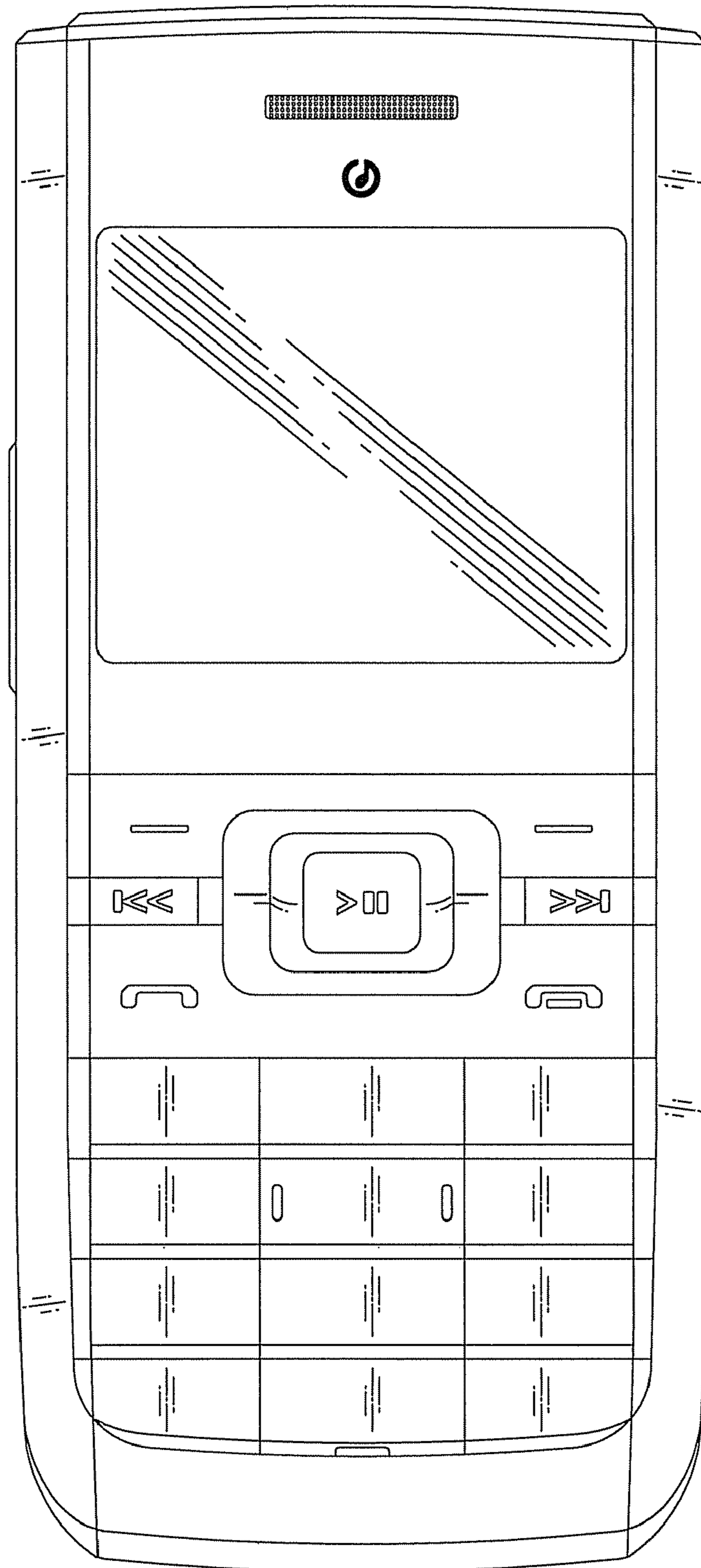


FIG. 3

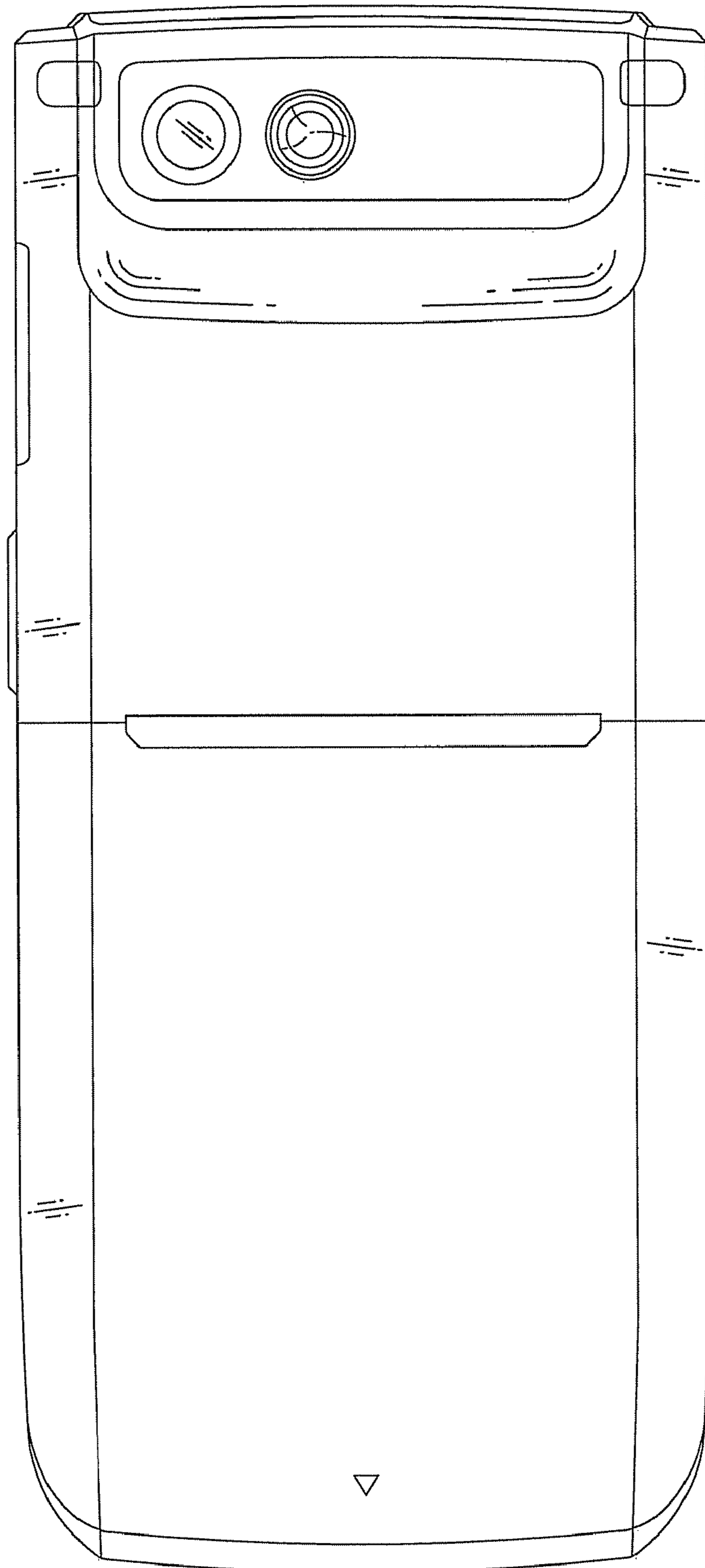


FIG. 4

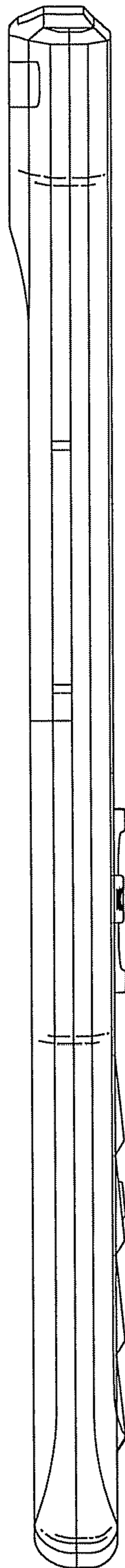


FIG. 5

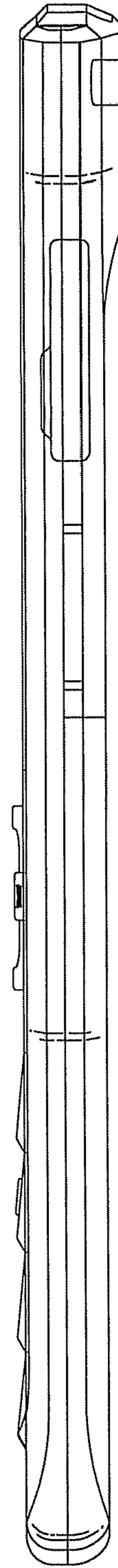


FIG. 6

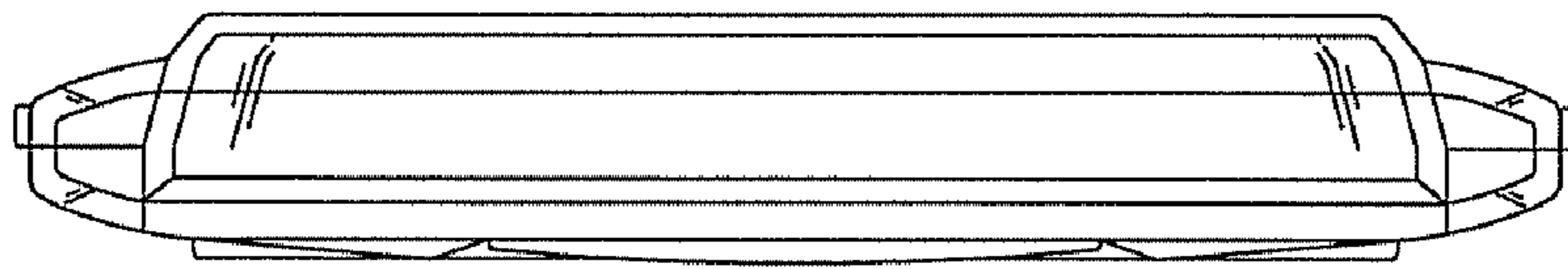


FIG. 7

