



US00D609198S

(12) **United States Design Patent**
Hsu et al.

(10) **Patent No.:** **US D609,198 S**
(45) **Date of Patent:** **** Feb. 2, 2010**

- (54) **BACK PLATE FOR A HEAT SINK**
- (75) Inventors: **Yung-Lin Hsu**, Taipei County (TW);
Chia-Ming Tung, Taipei County (TW)
- (73) Assignees: **Xigmatek Co., Ltd.**, Taipei County (TW); **Golden Sun News Techniques Co., Ltd.**, Taipei Hsien (TW)

2005/0183842	A1 *	8/2005	Lin	165/80.2
2005/0195572	A1 *	9/2005	Franz et al.	361/707
2006/0219386	A1 *	10/2006	Hsia et al.	165/80.3
2007/0091576	A1 *	4/2007	Wung et al.	361/719
2009/0080161	A1 *	3/2009	Peng et al.	361/719
2009/0168349	A1 *	7/2009	Li et al.	361/697
2009/0244837	A1 *	10/2009	Chan et al.	361/689

* cited by examiner

Primary Examiner—Selina Sikder
(74) *Attorney, Agent, or Firm*—WPAT, P.C.; Anthony King; Kay Yang

- (**) Term: **14 Years**
- (21) Appl. No.: **29/334,031**
- (22) Filed: **Mar. 19, 2009**

(57) **CLAIM**

- (51) **LOC (9) Cl.** **13-03**
- (52) **U.S. Cl.** **D13/179**
- (58) **Field of Classification Search** D13/179;
165/80.3, 104.33, 151, 122, 185; 257/706,
257/707, 718–722; 361/687, 695, 697, 700,
361/702, 704, 709, 710, 711, 719; D8/354
See application file for complete search history.

The ornamental design for a back plate for a heat sink, as shown and described.

DESCRIPTION

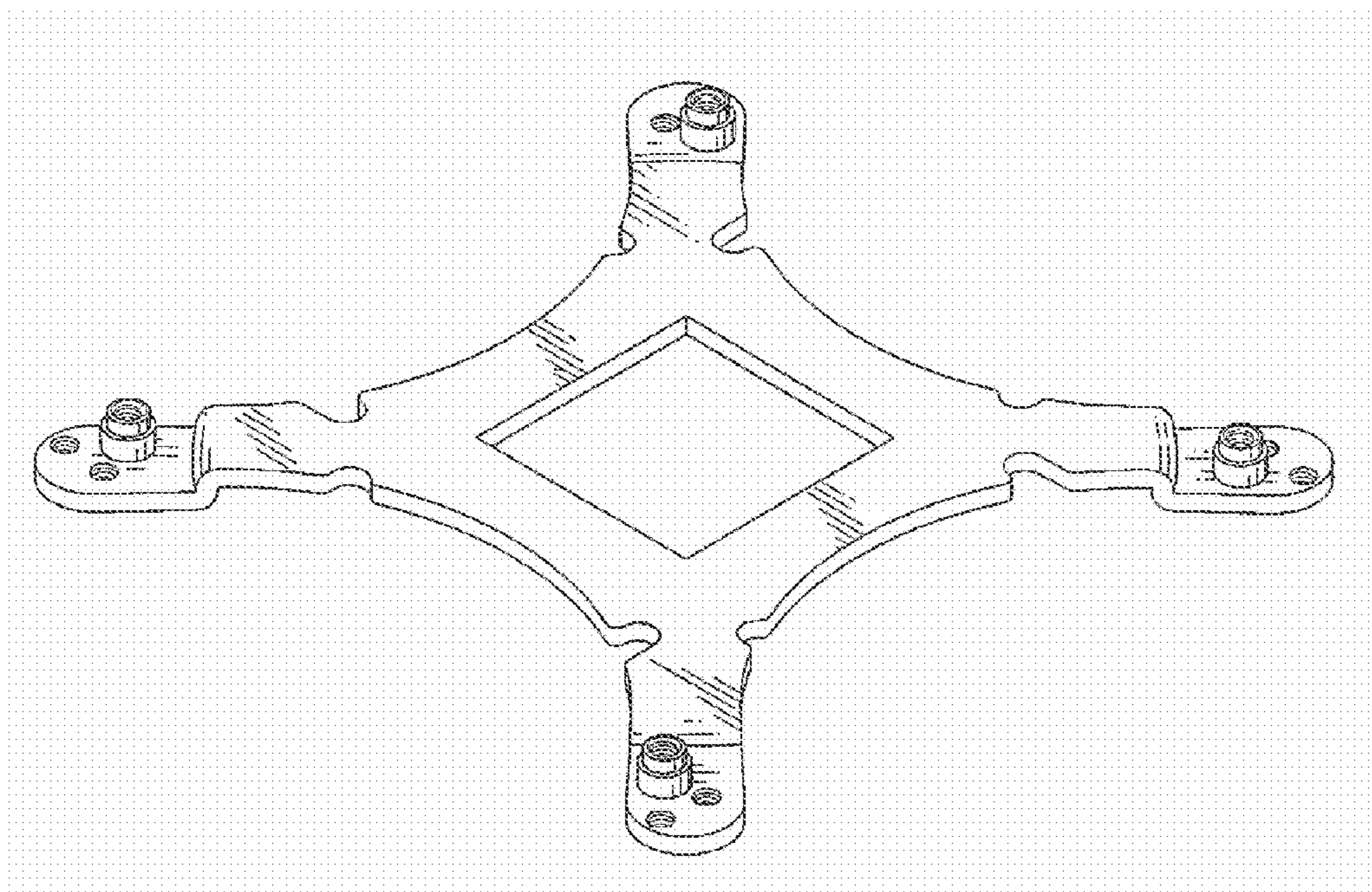
(56) **References Cited**

U.S. PATENT DOCUMENTS

6,515,860	B1 *	2/2003	Shih	361/704
6,778,396	B2 *	8/2004	Liu	361/719
7,142,426	B2 *	11/2006	Wang et al.	361/704
7,269,013	B2 *	9/2007	Chen et al.	361/700
7,269,016	B2 *	9/2007	Wang et al.	361/704
7,283,368	B2 *	10/2007	Wung et al.	361/719
7,292,447	B2 *	11/2007	Xia et al.	361/719
7,362,573	B2 *	4/2008	Lu et al.	361/695
7,492,596	B1 *	2/2009	Peng et al.	361/700
7,499,280	B2 *	3/2009	Otsuki et al.	361/704
7,576,989	B2 *	8/2009	Li et al.	361/719
7,589,972	B2 *	9/2009	Ma et al.	361/719
2004/0017662	A1 *	1/2004	Liu	361/719

FIG. 1 is a top perspective view of a back plate for a heat sink showing our new design;
 FIG. 2 is a front view thereof;
 FIG. 3 is a rear view thereof;
 FIG. 4 is a left view thereof;
 FIG. 5 is a right view thereof;
 FIG. 6 is a top view thereof;
 FIG. 7 is a bottom view thereof;
 FIG. 8 is a bottom perspective view thereof; and,
 FIG. 9 is an operational perspective view thereof, showing the back plate mounted on a bottom of a heat sink, the broken lines are shown for illustrative purposes only and form no part of the claimed design.

1 Claim, 5 Drawing Sheets



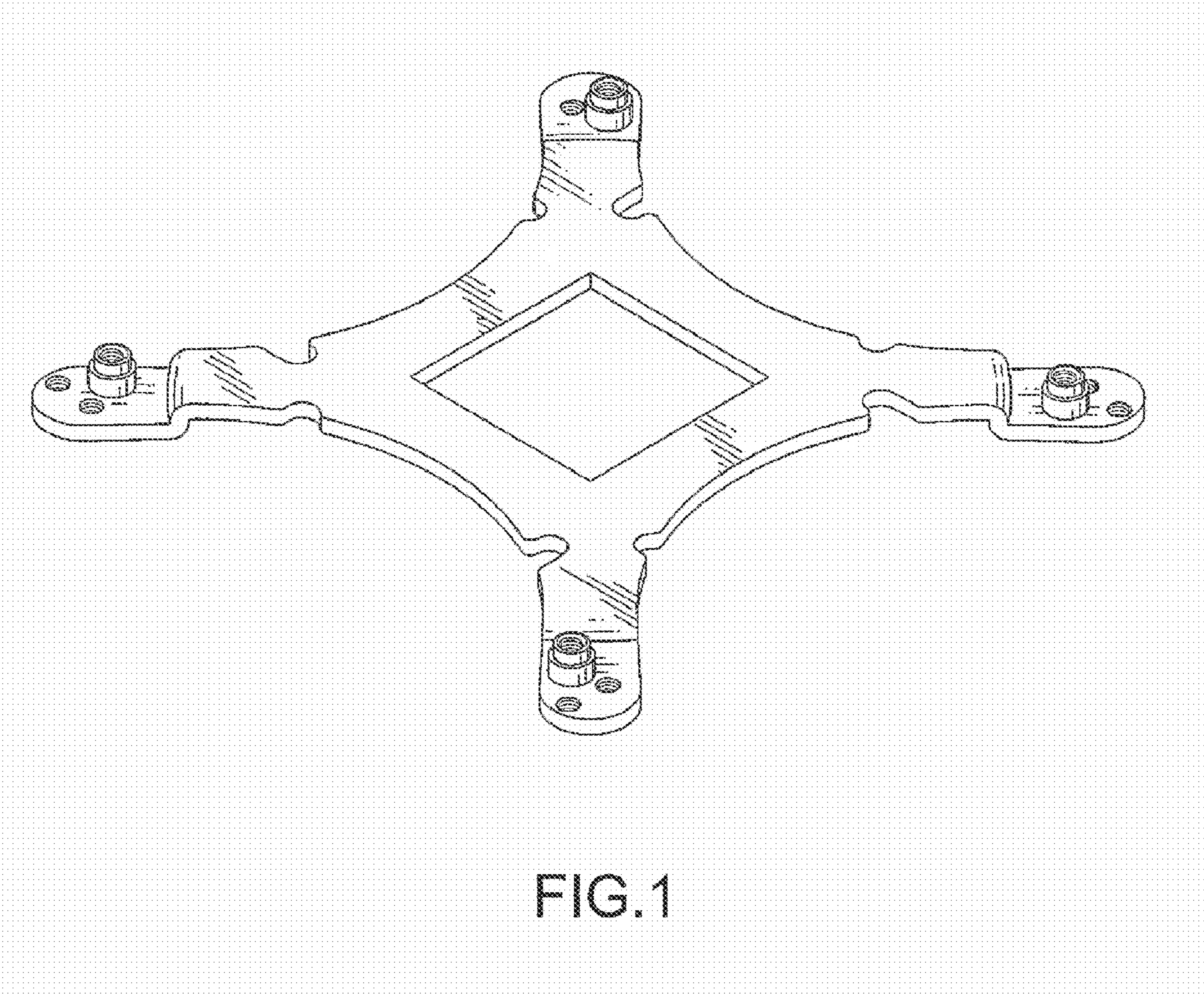


FIG.1

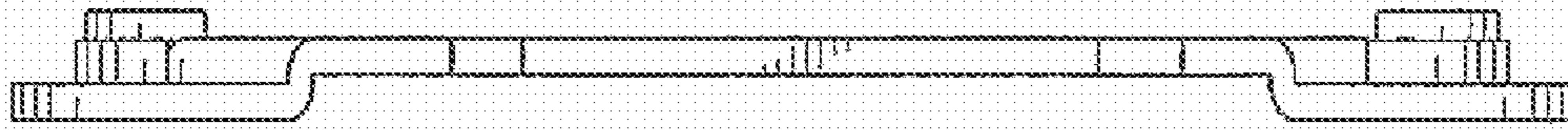


FIG. 2

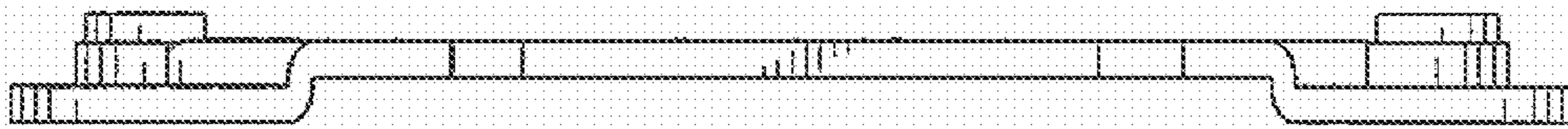


FIG. 3

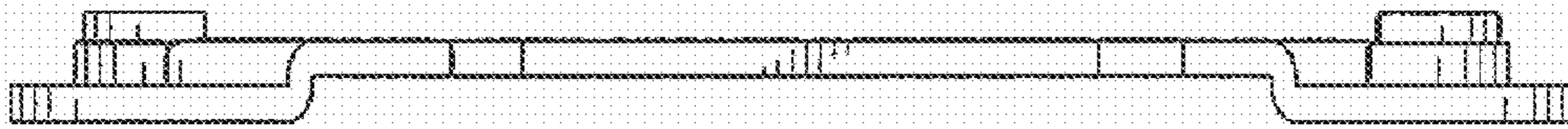


FIG. 4

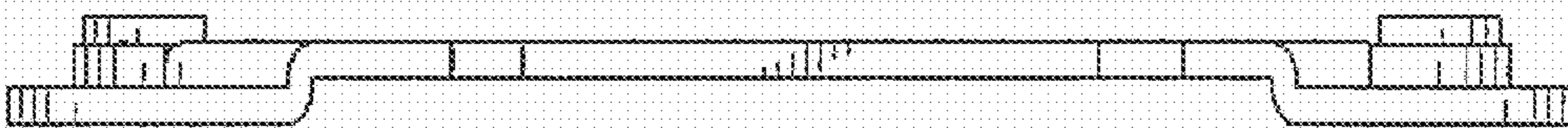
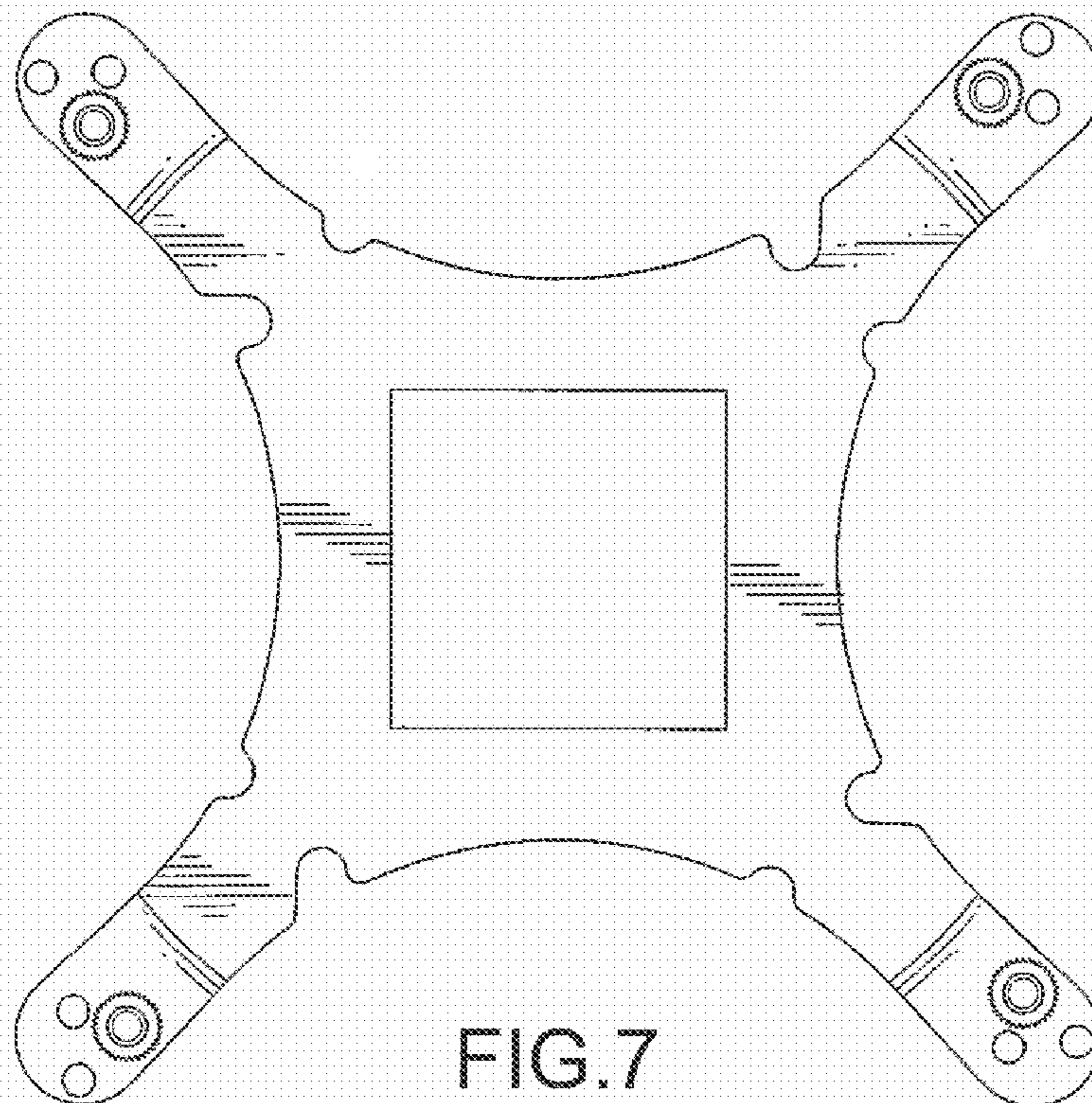
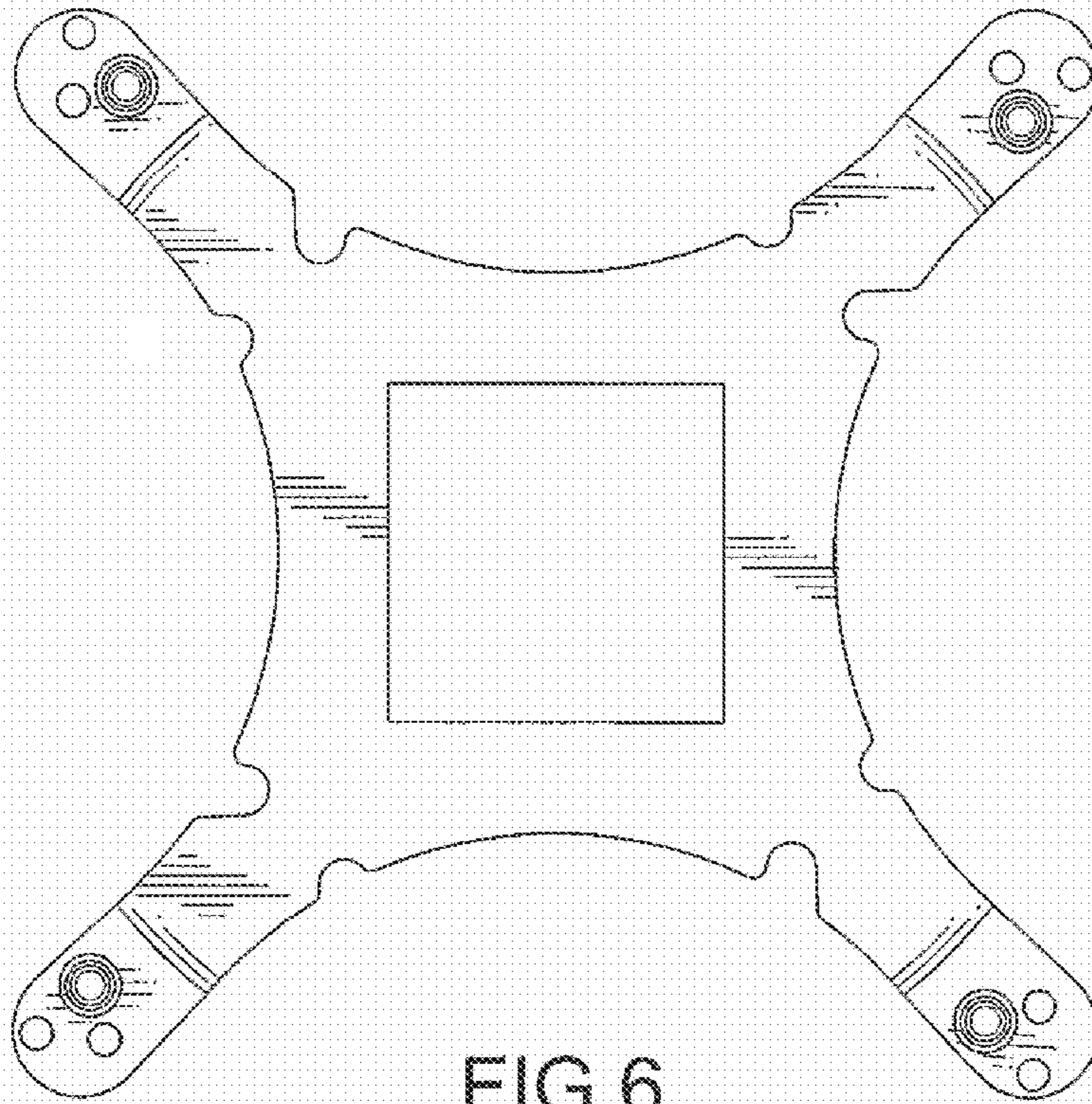


FIG. 5



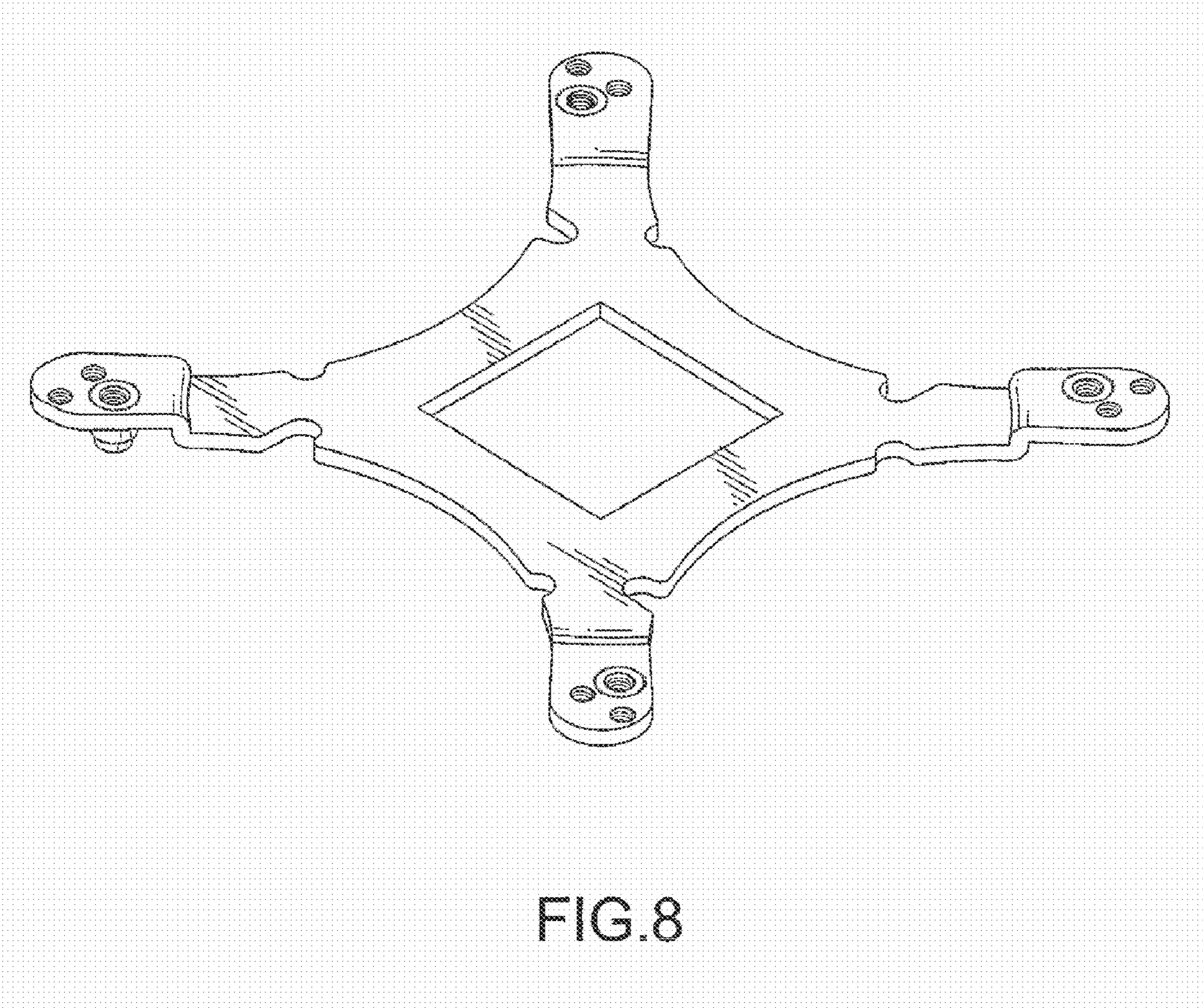


FIG. 8

