



US00D609194S

(12) **United States Design Patent**  
**Lin et al.**

(10) **Patent No.:** **US D609,194 S**  
(45) **Date of Patent:** **\*\* Feb. 2, 2010**

(54) **CONTROL BOX OF ACTUATOR**

(75) Inventors: **Tai-Hung Lin**, Taichung (TW); **Li-Fen Liao**, Taichung (TW)

(73) Assignee: **Hiwin Mikrosystem Corp.**, Taichung (TW)

(\*\*) Term: **14 Years**

(21) Appl. No.: **29/313,215**

(22) Filed: **Dec. 17, 2008**

(51) **LOC (9) Cl.** ..... **13-03**

(52) **U.S. Cl.** ..... **D13/158; D13/184**

(58) **Field of Classification Search** ..... D13/147,  
D13/158, 162, 164, 174, 177, 184, 199; D15/143,  
D15/199; 74/73.12, 89.15, 335, 411.5, 490.09;  
91/61, 136, 451; 310/20, 80  
See application file for complete search history.

(56) **References Cited**

**U.S. PATENT DOCUMENTS**

- D465,797 S \* 11/2002 Landerholm et al. .... D15/143
- D543,957 S \* 6/2007 Landerholm et al. .... D13/184
- D546,352 S \* 7/2007 Tsou et al. .... D15/143

D572,281 S \* 7/2008 Wei et al. .... D15/143

\* cited by examiner

*Primary Examiner*—Daniel D Bui

*Assistant Examiner*—Thomas J Johannes

(74) *Attorney, Agent, or Firm*—Charles E. Baxley

(57) **CLAIM**

The ornamental design for a control box for actuator, as shown.

**DESCRIPTION**

FIG. 1 is a front perspective view of a control box for actuator showing our new design;

FIG. 2 is a front elevational view thereof;

FIG. 3 is a rear elevational view thereof;

FIG. 4 is a left side elevational view thereof;

FIG. 5 is a right side elevational view thereof;

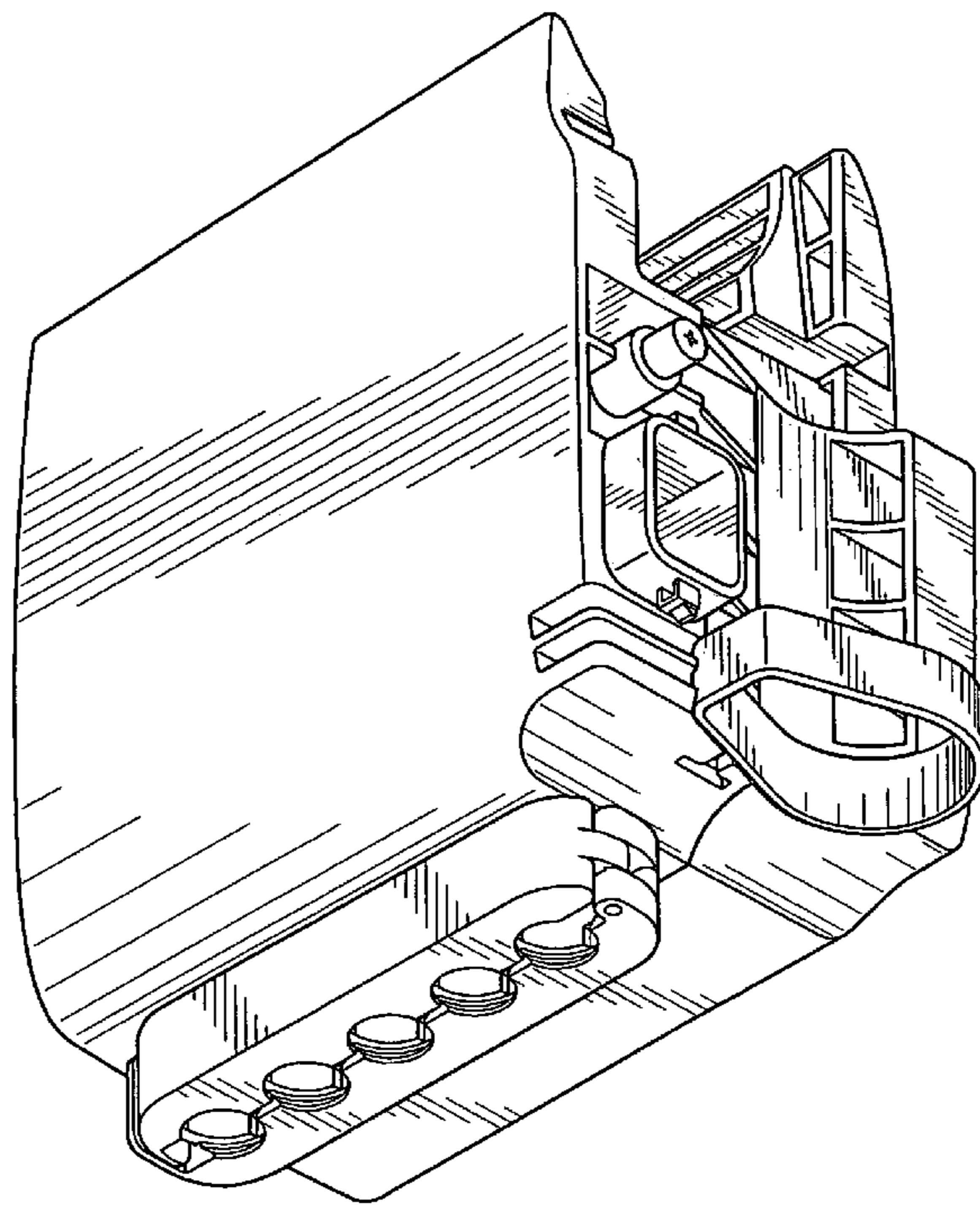
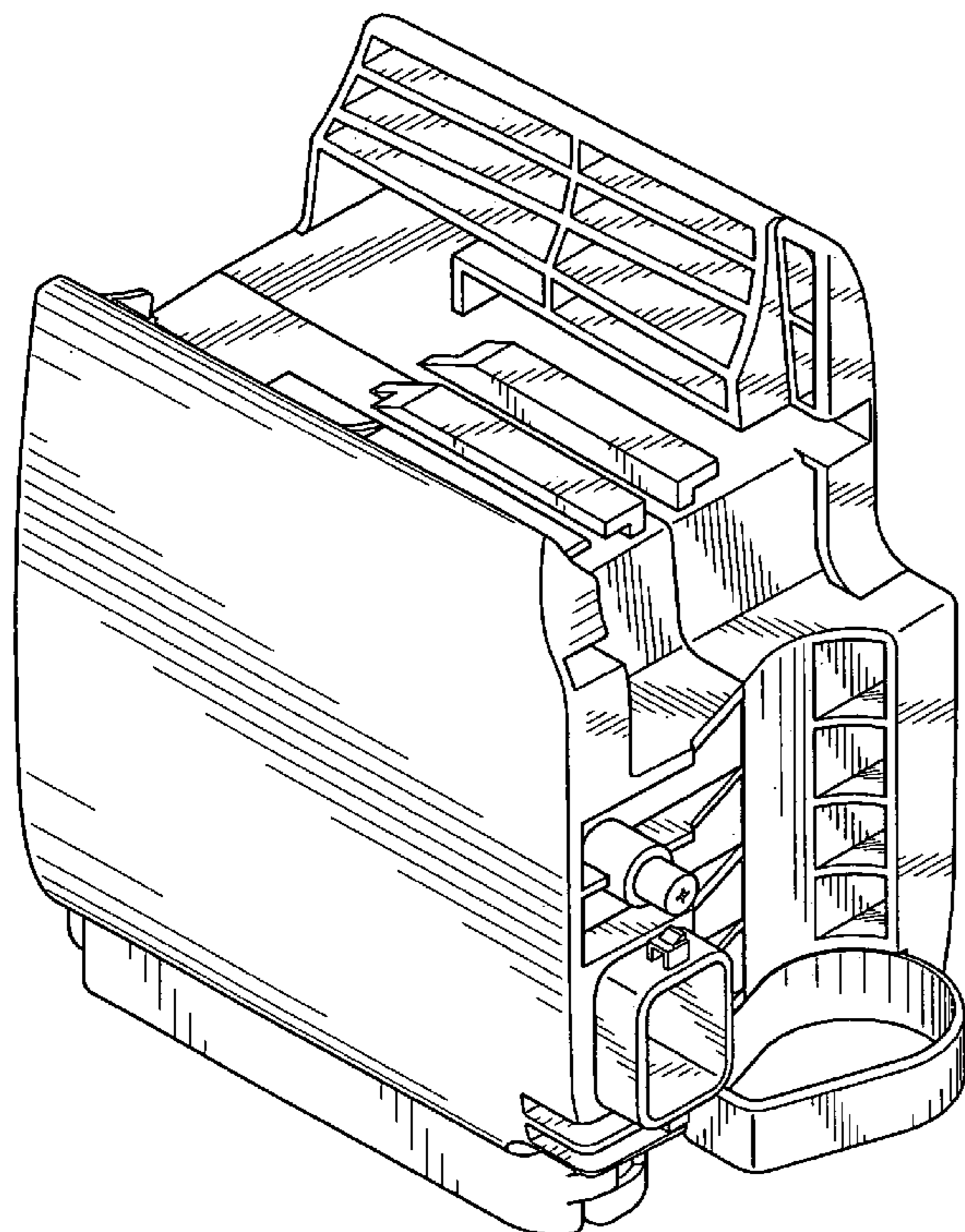
FIG. 6 is a top plan view thereof; and

FIG. 7 is a bottom plan view thereof;

FIG. 8 is a rear perspective view thereof; and,

FIG. 9 is a bottom perspective view thereof.

**1 Claim, 8 Drawing Sheets**



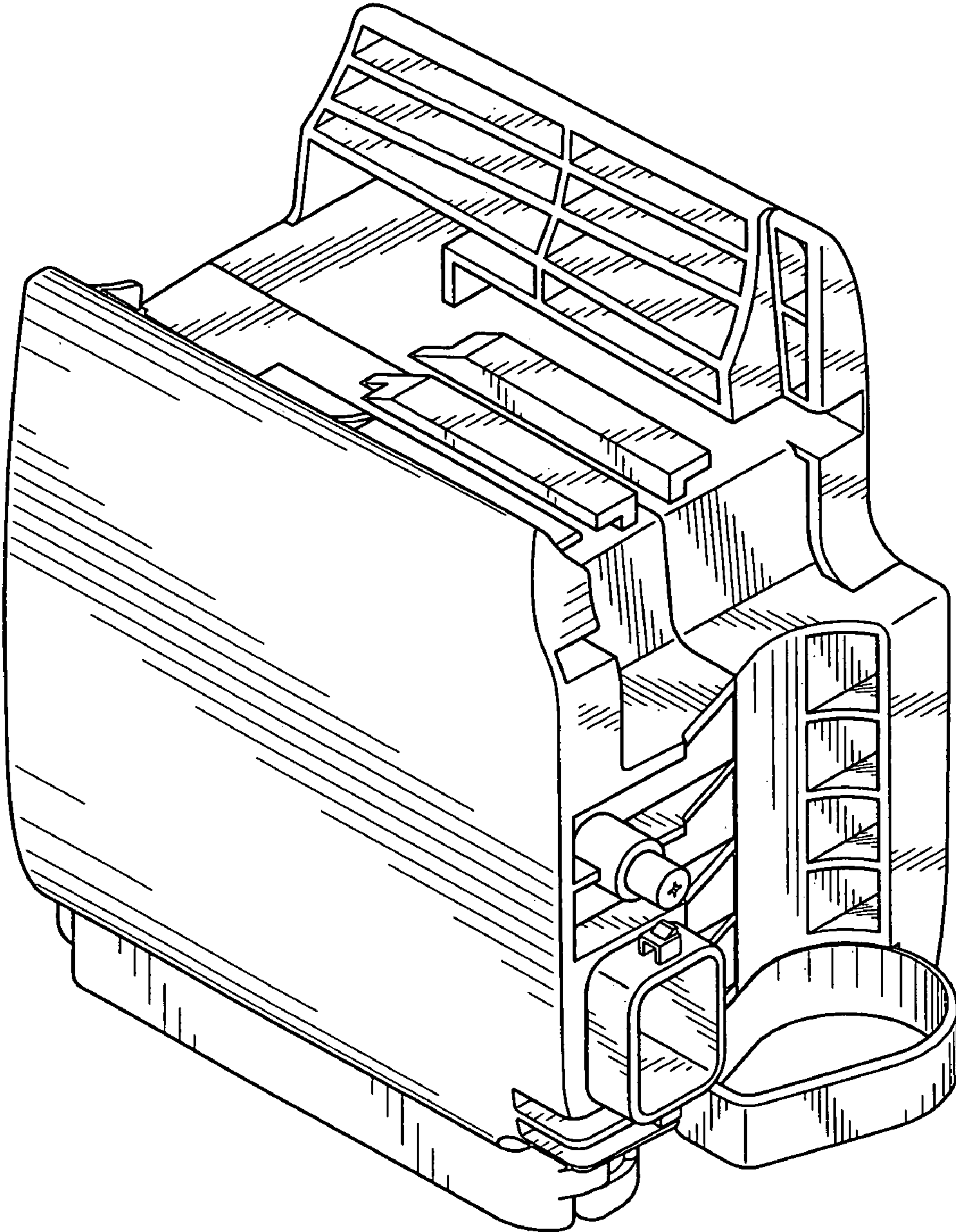


FIG. 1

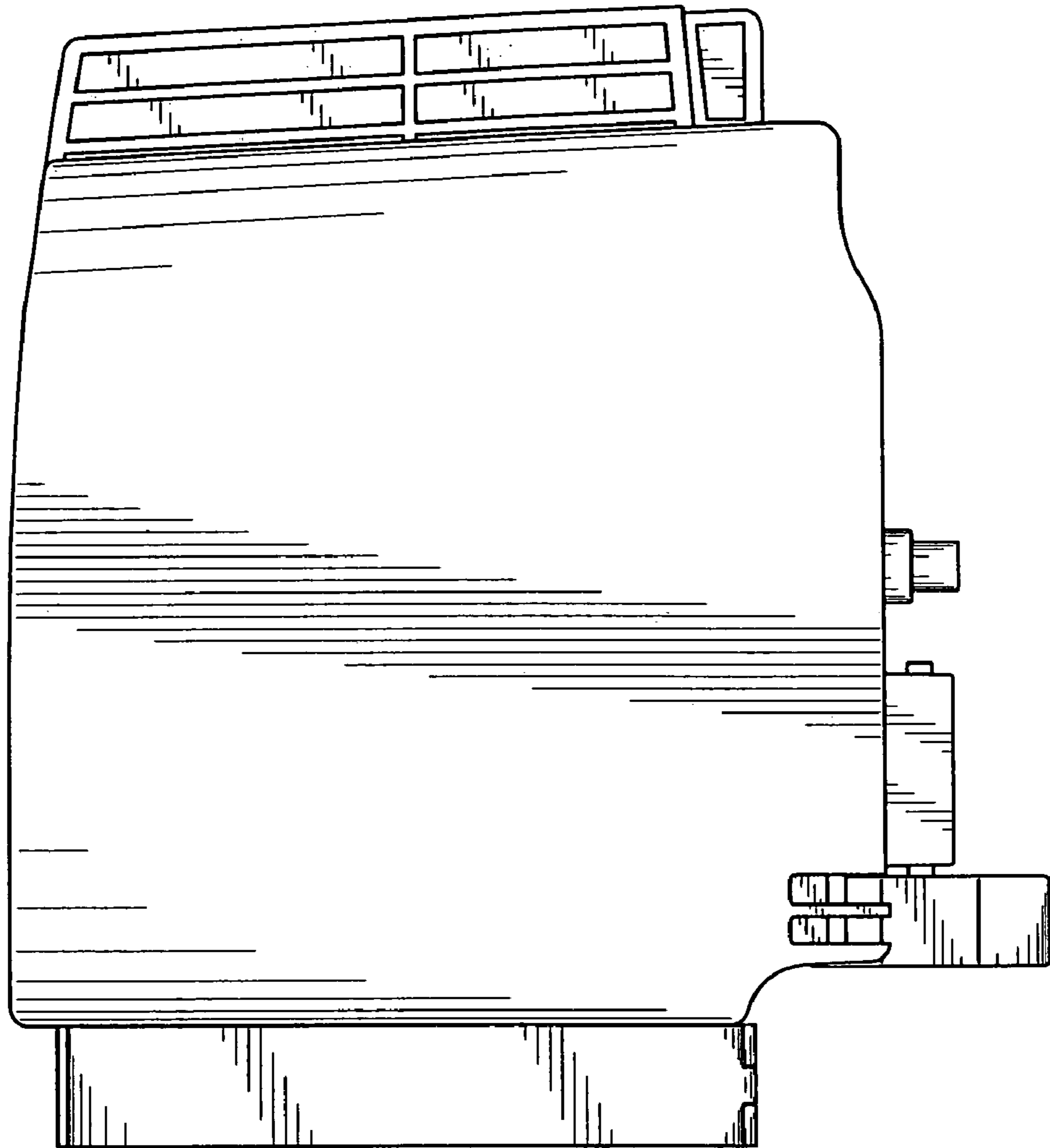


FIG. 2

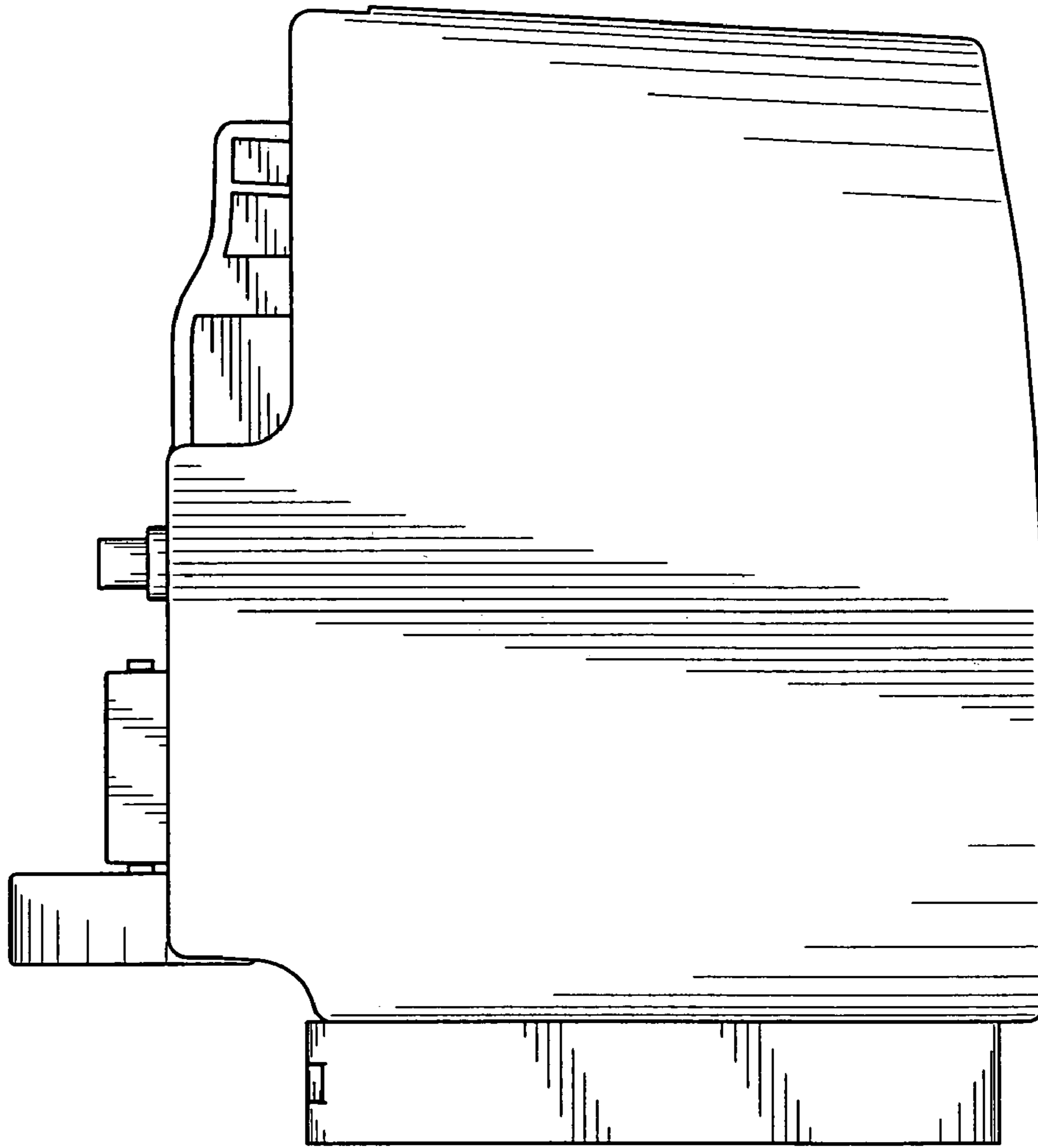


FIG. 3

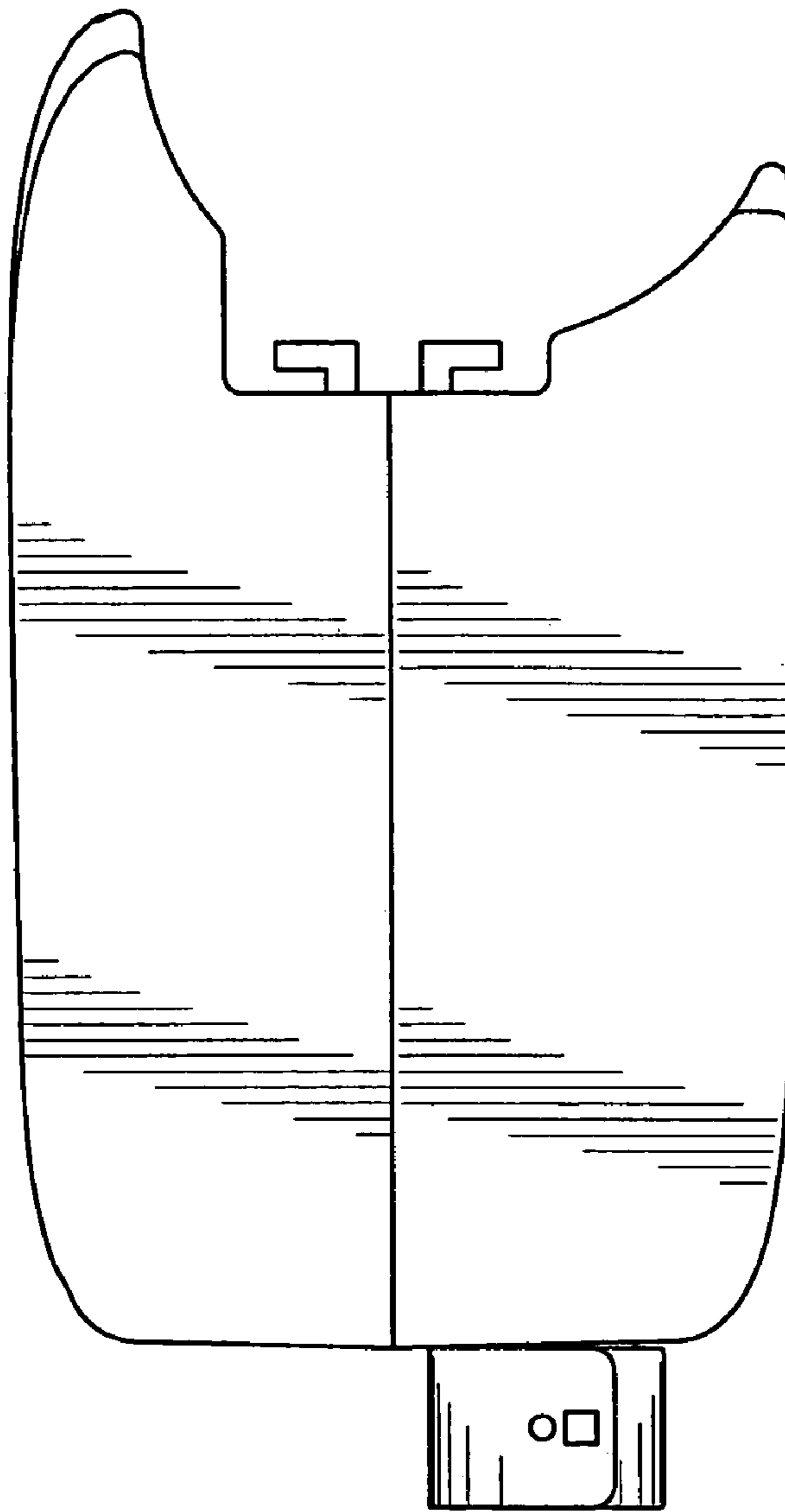


FIG. 4

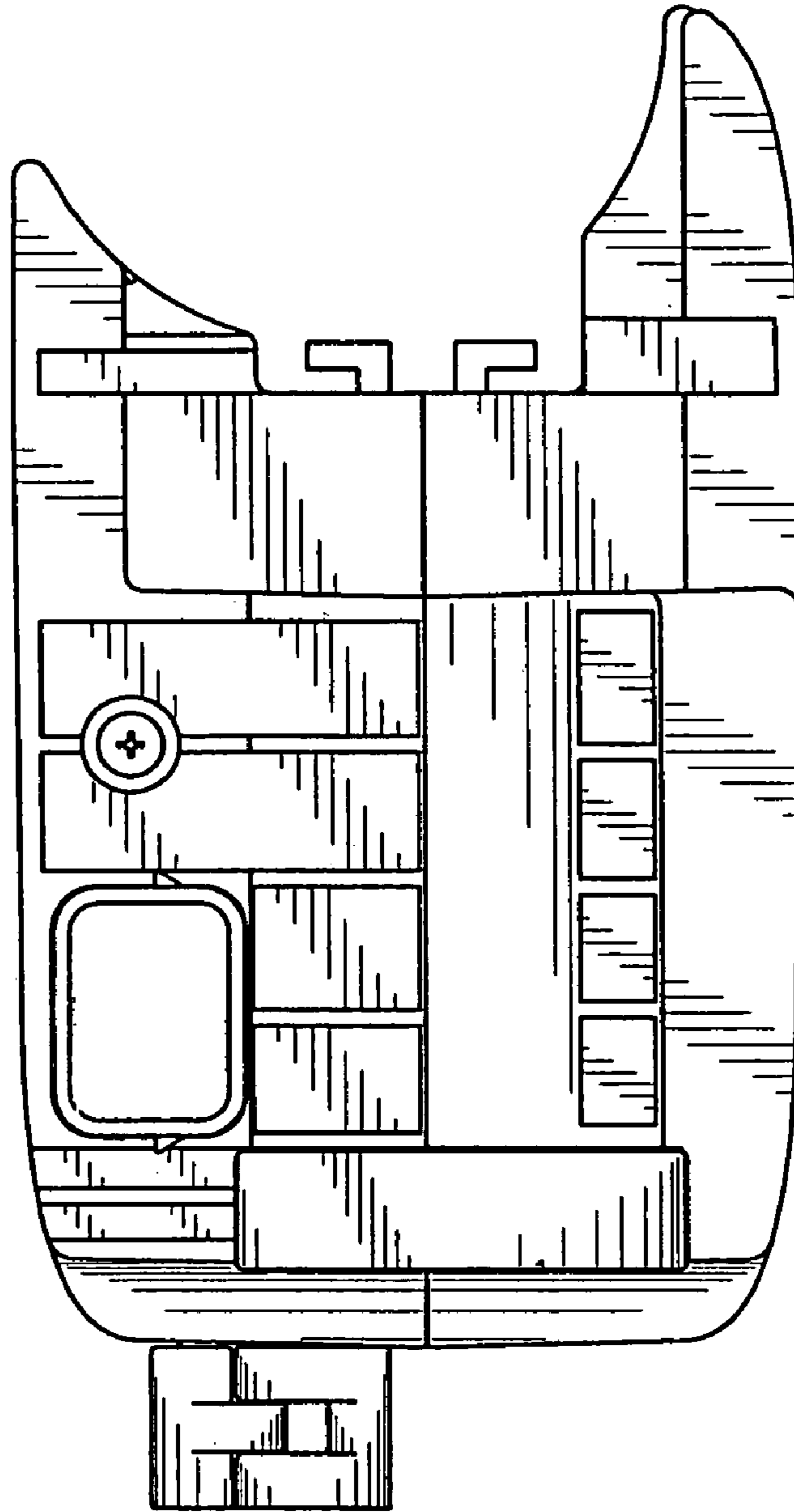


FIG. 5

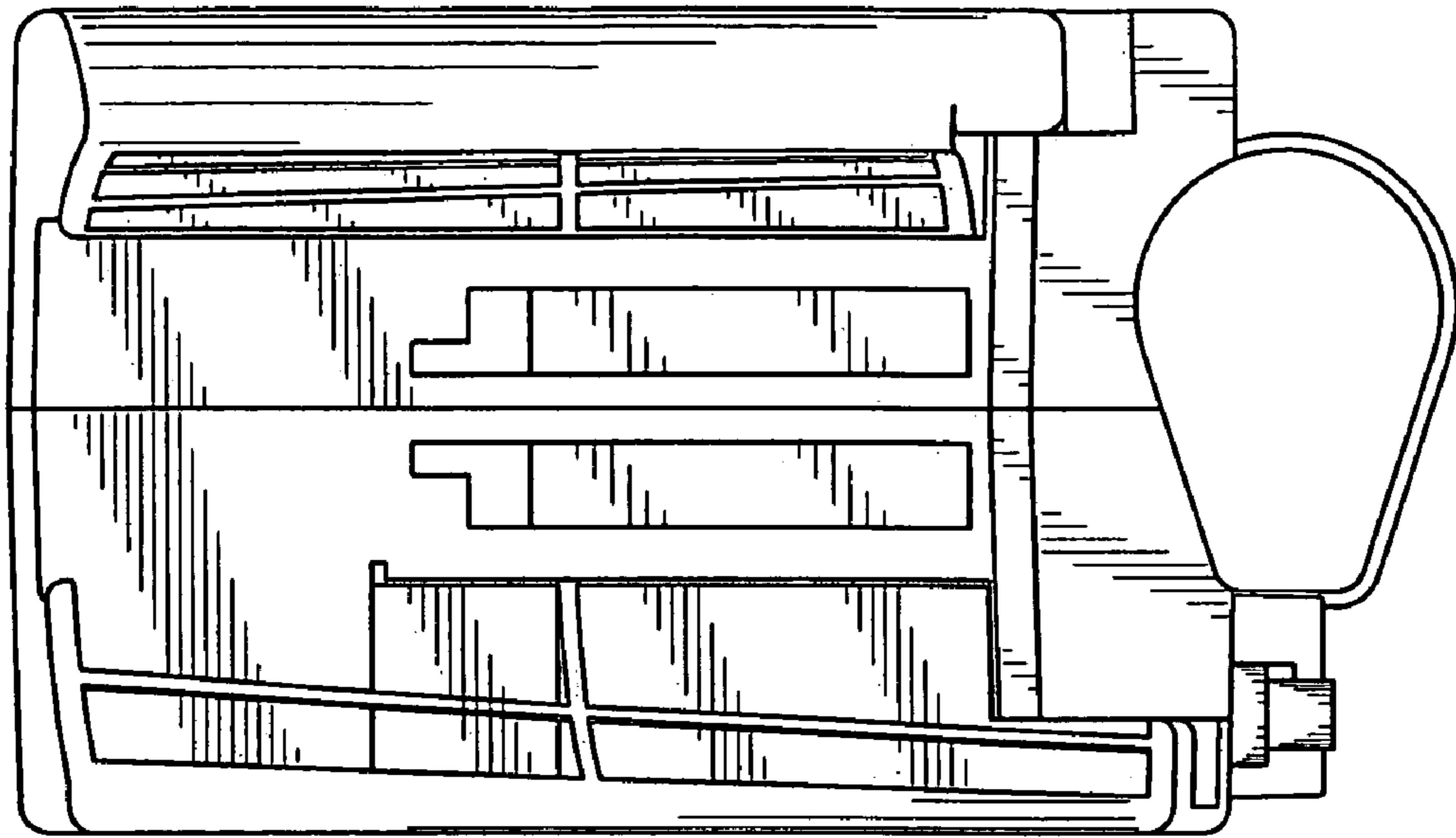


FIG. 6

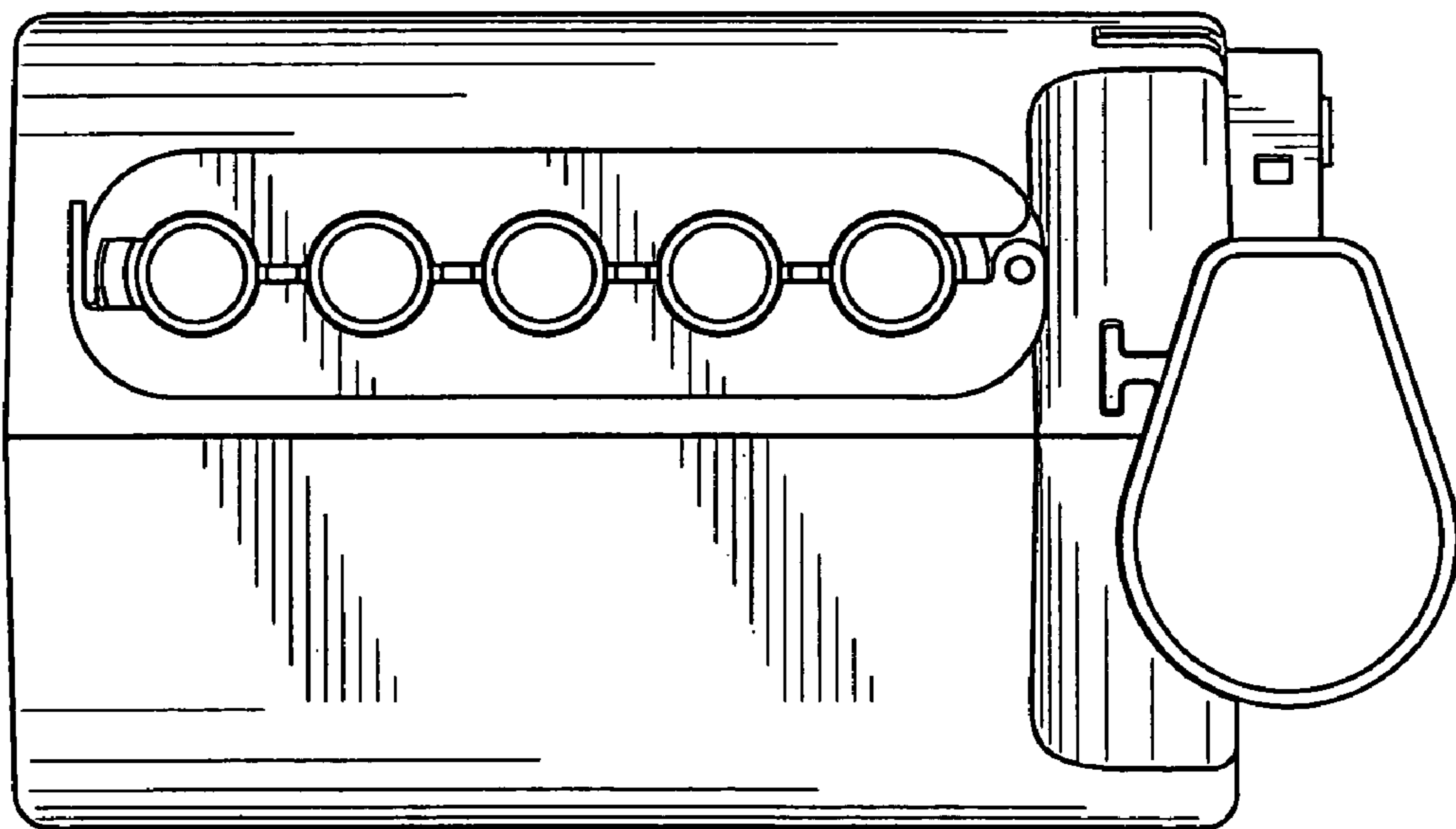


FIG. 7

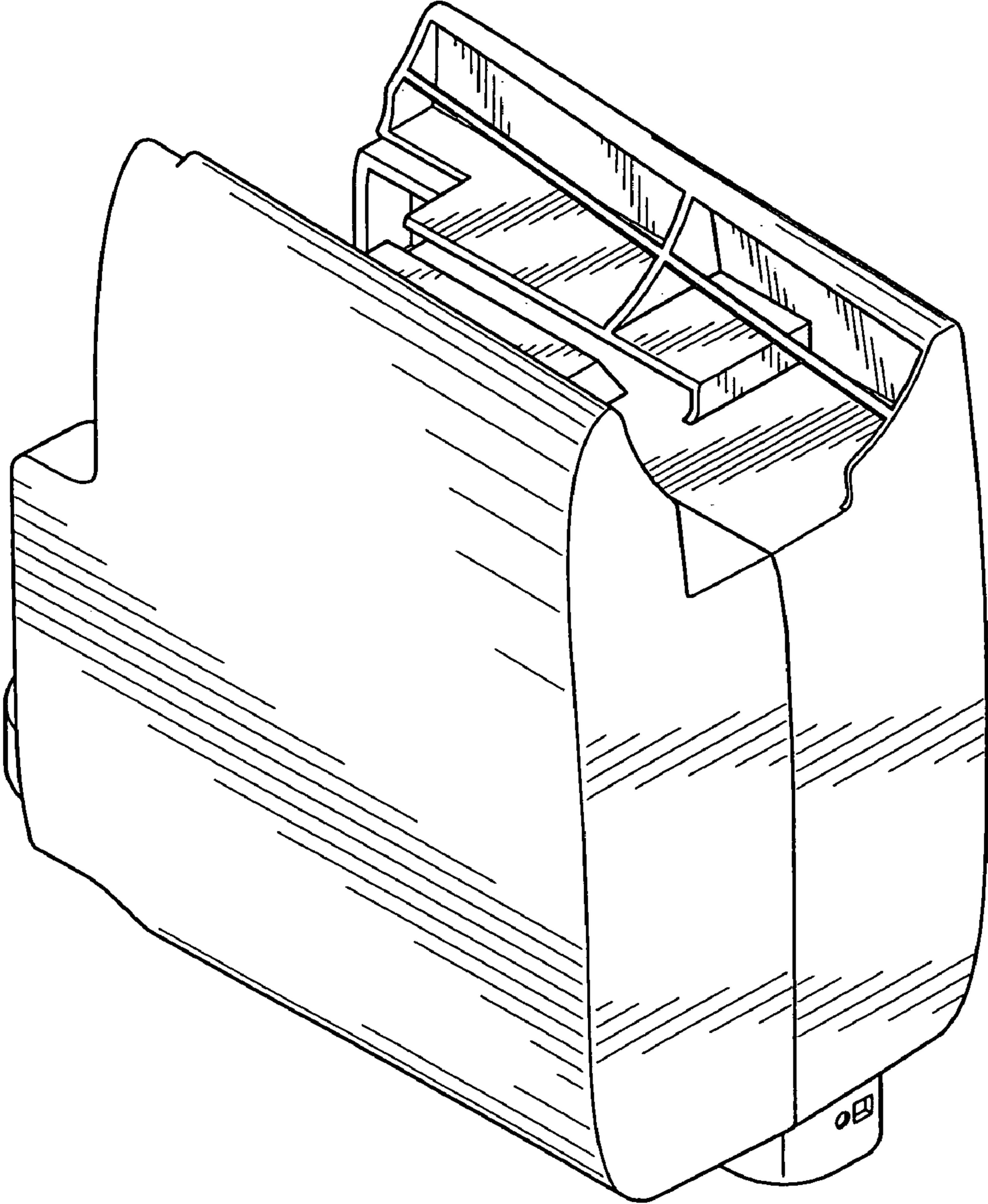


FIG. 8



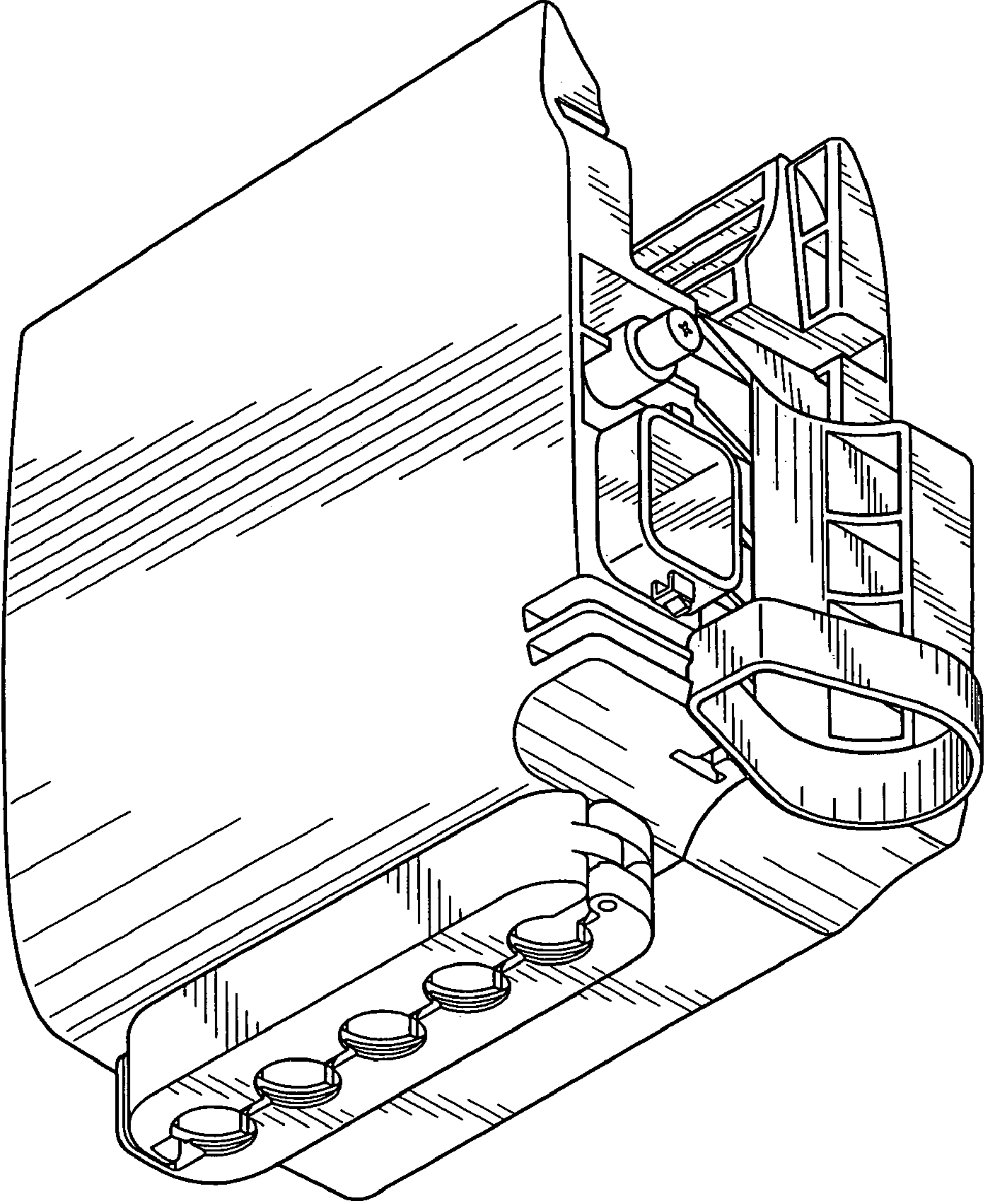


FIG. 9