



US00D609193S

(12) **United States Design Patent**  
**Al-Ali et al.**

(10) **Patent No.:** **US D609,193 S**

(45) **Date of Patent:** **\*\* \*Feb. 2, 2010**

(54) **CONNECTOR ASSEMBLY**

(75) Inventors: **Ammar Al-Ali**, Tustin, CA (US); **Kevin Forrest**, Rancho Santa Margarita, CA (US); **Yassir Abdul-Hafiz**, Irvine, CA (US); **Eric Yang**, Baldwin Park, CA (US)

(73) Assignee: **MASIMO Corporation**, Irvine, CA (US)

(\*) Notice: This patent is subject to a terminal disclaimer.

(\*\*) Term: **14 Years**

(21) Appl. No.: **29/296,064**

(22) Filed: **Oct. 12, 2007**

(51) **LOC (9) Cl.** ..... **13-03**

(52) **U.S. Cl.** ..... **D13/156**

(58) **Field of Classification Search** ..... D13/133,  
D13/138.1, 154, 156, 184; 439/357, 358,  
439/447, 483, 586, 578, 606-610, 668-669,  
439/678-676, 889, 892

See application file for complete search history.

(56) **References Cited**

**U.S. PATENT DOCUMENTS**

4,960,128	A	10/1990	Gordon et al.
4,964,408	A	10/1990	Hink et al.
5,041,187	A	8/1991	Hink et al.
5,069,213	A	12/1991	Polczynski

(Continued)

**FOREIGN PATENT DOCUMENTS**

WO WO 9748151 12/1997

**OTHER PUBLICATIONS**

U.S. Appl. No. 29/296,067.

(Continued)

*Primary Examiner*—Nanda Bondade

(74) *Attorney, Agent, or Firm*—Knobbe Martens Olson & Bear LLP

(57) **CLAIM**

The ornamental design for a connector assembly, as shown and described.

**DESCRIPTION**

FIG. 1 is a top plan view of a joined connector assembly showing our new design in accordance with an embodiment of the invention;

FIG. 2 is a side elevational view thereof;

FIG. 3 is a perspective view of the top and one side of a male sensor connector half of the connector assembly, shown separately for clarity of illustration;

FIG. 4 is a perspective view of the bottom and opposite side thereof;

FIG. 5 is a top plan view thereof;

FIG. 6 is a bottom plan view thereof;

FIG. 7 is a front elevational view thereof;

FIG. 8 is a back elevational view thereof;

FIG. 9 is a side elevational view thereof;

FIG. 10 is a perspective view of the top and one side of the female patient cable connector half of the connector assembly, shown separately for clarity of illustration;

FIG. 11 is a perspective view of the bottom and opposite side thereof;

FIG. 12 is a top plan view thereof;

FIG. 13 is a bottom plan view thereof;

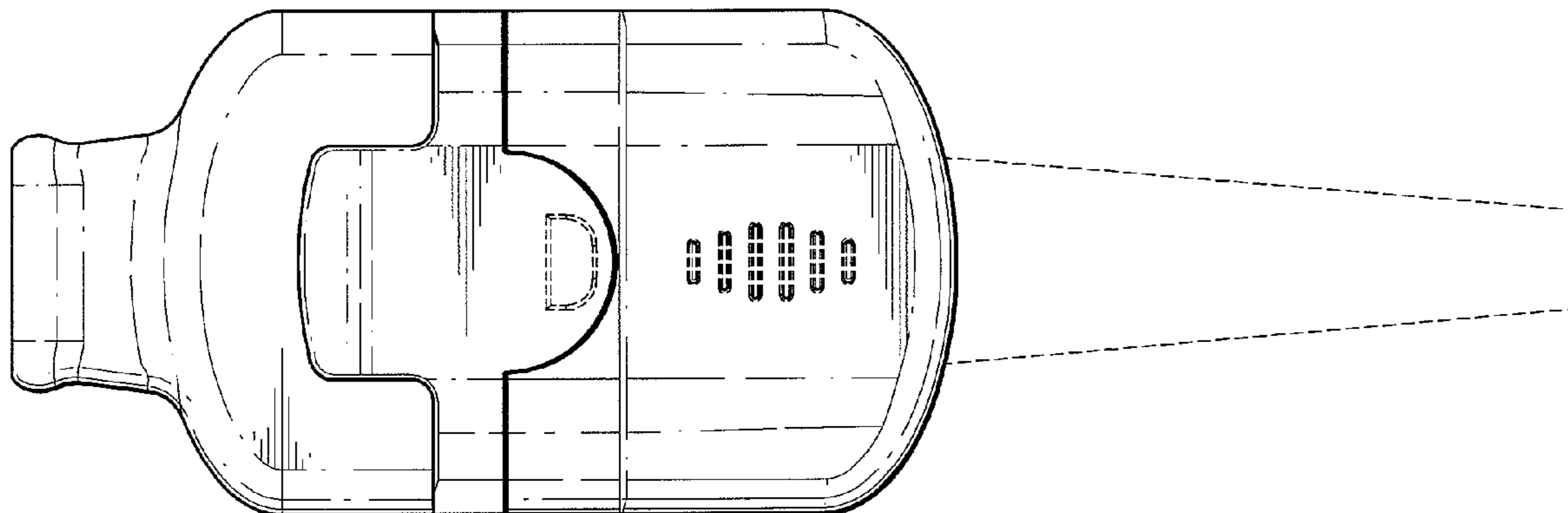
FIG. 14 a front elevational view thereof;

FIG. 15 is a back elevational view thereof; and,

FIG. 16 is a side elevational view thereof.

The broken line showing on the drawing disclosure is for illustrative purposes only and forms no part of the claimed design.

**1 Claim, 7 Drawing Sheets**



# US D609,193 S

U.S. PATENT DOCUMENTS					
			6,263,222	B1	7/2001 Diab et al.
			6,278,522	B1	8/2001 Lepper, Jr. et al.
			6,280,213	B1	8/2001 Tobler et al.
			6,285,896	B1	9/2001 Tobler et al.
			6,321,100	B1	11/2001 Parker
			6,334,065	B1	12/2001 Al-Ali et al.
			6,343,224	B1	1/2002 Parker
			6,349,228	B1	2/2002 Kiani et al.
			6,360,114	B1	3/2002 Diab et al.
			6,368,283	B1	4/2002 Xu et al.
			6,371,921	B1	4/2002 Caro et al.
			6,377,829	B1	4/2002 Al-Ali
			6,388,240	B2	5/2002 Schulz et al.
			6,397,091	B2	5/2002 Diab et al.
			6,430,525	B1	8/2002 Weber et al.
			6,463,311	B1	10/2002 Diab
			6,470,199	B1	10/2002 Kopotic et al.
			6,501,975	B2	12/2002 Diab et al.
			6,505,059	B1	1/2003 Kollias et al.
			6,515,273	B2	2/2003 Al-Ali
			6,519,487	B1	2/2003 Parker
			6,525,386	B1	2/2003 Mills et al.
			6,526,300	B1	2/2003 Kiani et al.
			6,541,756	B2	4/2003 Schulz et al.
			6,542,764	B1	4/2003 Al-Ali et al.
			6,580,086	B1	6/2003 Schulz et al.
			6,584,336	B1	6/2003 Ali et al.
			6,595,316	B2	7/2003 Cybulski et al.
			6,597,932	B2	7/2003 Tian et al.
			6,597,933	B2	7/2003 Kiani et al.
			6,606,511	B1	8/2003 Ali et al.
			6,632,181	B2	10/2003 Flaherty et al.
			6,639,668	B1	10/2003 Trepagnier
			6,640,116	B2	10/2003 Diab
			6,643,530	B2	11/2003 Diab et al.
			6,650,917	B2	11/2003 Diab et al.
			6,654,624	B2	11/2003 Diab et al.
			6,658,276	B2	12/2003 Kianl et al.
			6,661,161	B1	12/2003 Lanzo et al.
			6,671,531	B2	12/2003 Al-Ali et al.
			6,678,543	B2	1/2004 Diab et al.
			6,684,090	B2	1/2004 Ali et al.
			6,684,091	B2	1/2004 Parker
			6,697,656	B1	2/2004 Al-Ali
			6,697,657	B1	2/2004 Shehada et al.
			6,697,658	B2	2/2004 Al-Ali
			RE38,476	E	3/2004 Diab et al.
			6,699,194	B1	3/2004 Diab et al.
			6,714,804	B2	3/2004 Al-Ali et al.
			RE38,492	E	4/2004 Diab et al.
			6,721,582	B2	4/2004 Trepagnier et al.
			6,721,585	B1	4/2004 Parker
			6,725,075	B2	4/2004 Al-Ali
			6,728,560	B2	4/2004 Kollias et al.
			6,735,459	B2	5/2004 Parker
			6,745,060	B2	6/2004 Diab et al.
			6,760,607	B2	7/2004 Al-Ali
			6,770,028	B1	8/2004 Ali et al.
			6,771,994	B2	8/2004 Kiani et al.
			6,792,300	B1	9/2004 Diab et al.
			6,813,511	B2	11/2004 Diab et al.
			6,816,741	B2	11/2004 Diab
			6,822,564	B2	11/2004 Al-Ali
			6,826,419	B2	11/2004 Diab et al.
			6,830,711	B2	12/2004 Mills et al.
			6,850,787	B2	2/2005 Weber et al.
			6,850,788	B2	2/2005 Al-Ali
			6,852,083	B2	2/2005 Caro et al.
			6,861,639	B2	3/2005 Al-Ali
			6,898,452	B2	5/2005 Al-Ali et al.
			6,920,345	B2	7/2005 Al-Ali et al.
			6,931,268	B1	8/2005 Kiani-Azarbayjany et al.
			6,934,570	B2	8/2005 Kiani et al.
5,163,438	A	11/1992	Gordon et al.		
5,237,994	A	8/1993	Goldberg		
5,337,744	A	8/1994	Branigan		
5,341,805	A	8/1994	Stavridi et al.		
D353,195	S	12/1994	Savage et al.		
D353,196	S	12/1994	Savage et al.		
5,377,676	A	1/1995	Vari et al.		
D359,546	S	6/1995	Savage et al.		
5,431,170	A	7/1995	Mathews		
D361,840	S	8/1995	Savage et al.		
D362,063	S	9/1995	Savage et al.		
5,452,717	A	9/1995	Branigan et al.		
D363,120	S	10/1995	Savage et al.		
5,456,252	A	10/1995	Vari et al.		
5,482,036	A	1/1996	Diab et al.		
5,490,505	A	2/1996	Diab et al.		
5,494,043	A	2/1996	O'Sullivan et al.		
5,533,511	A	7/1996	Kaspari et al.		
5,561,275	A	10/1996	Savage et al.		
5,562,002	A	10/1996	Lalin		
5,590,649	A	1/1997	Caro et al.		
5,602,924	A	2/1997	Durand et al.		
5,632,272	A	5/1997	Diab et al.		
5,638,816	A	6/1997	Kiani-Azarbayjany et al.		
5,638,818	A	6/1997	Diab et al.		
5,645,440	A	7/1997	Tobler et al.		
5,685,299	A	11/1997	Diab et al.		
D393,830	S	4/1998	Tobler et al.		
5,743,262	A	4/1998	Lepper, Jr. et al.		
5,758,644	A	6/1998	Diab et al.		
5,760,910	A	6/1998	Lepper, Jr. et al.		
5,769,785	A	6/1998	Diab et al.		
5,782,757	A	7/1998	Diab et al.		
5,785,659	A	7/1998	Caro et al.		
5,791,347	A	8/1998	Flaherty et al.		
5,810,734	A	9/1998	Caro et al.		
5,823,950	A	10/1998	Diab et al.		
5,830,131	A	11/1998	Caro et al.		
5,833,618	A	11/1998	Caro et al.		
5,860,919	A	1/1999	Kiani-Azarbayjany et al.		
5,890,929	A	4/1999	Mills et al.		
5,904,654	A	5/1999	Wohltmann et al.		
5,919,134	A	7/1999	Diab		
5,934,925	A	8/1999	Tobler et al.		
5,940,182	A	8/1999	Lepper, Jr. et al.		
5,995,855	A	11/1999	Kiani et al.		
5,997,343	A	12/1999	Mills et al.		
6,002,952	A	12/1999	Diab et al.		
6,011,986	A	1/2000	Diab et al.		
6,027,452	A	2/2000	Flaherty et al.		
6,036,642	A	3/2000	Diab et al.		
D422,560	S *	4/2000	Lok ..... D13/147		
6,045,509	A	4/2000	Caro et al.		
6,067,462	A	5/2000	Diab et al.		
6,081,735	A	6/2000	Diab et al.		
6,088,607	A	7/2000	Diab et al.		
6,110,522	A	8/2000	Lepper, Jr. et al.		
6,124,597	A	9/2000	Shehada		
6,144,868	A	11/2000	Parker		
6,151,516	A	11/2000	Kiani-Azarbayjany et al.		
6,152,754	A	11/2000	Gerhardt et al.		
6,157,850	A	12/2000	Diab et al.		
6,165,005	A	12/2000	Mills et al.		
6,184,521	B1	2/2001	Coffin, IV et al.		
6,206,830	B1	3/2001	Diab et al.		
6,229,856	B1	5/2001	Diab et al.		
6,232,609	B1	5/2001	Snyder et al.		
6,236,872	B1	5/2001	Diab et al.		
6,241,683	B1	6/2001	Macklem et al.		
6,256,523	B1	7/2001	Diab et al.		
6,257,914	B1 *	7/2001	Comerci et al. .... 439/357		



# US D609,193 S

Page 3

D509,803 S	9/2005	Titchener .....	D13/156	7,149,561 B2	12/2006	Diab	
6,939,305 B2	9/2005	Flaherty et al.		7,186,966 B2	3/2007	Al-Ali	
6,943,348 B1	9/2005	Coffin, IV		7,190,261 B2	3/2007	Al-Ali	
6,950,687 B2	9/2005	Al-Ali		7,215,984 B2	5/2007	Diab	
6,961,598 B2	11/2005	Diab		7,215,986 B2	5/2007	Diab	
6,970,792 B1	11/2005	Diab		7,221,971 B2	5/2007	Diab	
6,979,812 B2	12/2005	Al-Ali		7,225,006 B2	5/2007	Al-Ali et al.	
D513,409 S	1/2006	Suckle .....	D13/156	7,225,007 B2	5/2007	Al-Ali	
6,985,764 B2	1/2006	Mason et al.		RE39,672 E	6/2007	Shehada et al.	
6,993,371 B2	1/2006	Kiani et al.		7,239,905 B2	7/2007	Kiani-Azarbayjany et al.	
6,996,427 B2	2/2006	Ali et al.		7,245,953 B1	7/2007	Parker	
6,999,904 B2	2/2006	Weber et al.		7,254,431 B2	8/2007	Al-Ali et al.	
7,003,338 B2	2/2006	Weber et al.		7,254,433 B2	8/2007	Diab et al.	
7,003,339 B2	2/2006	Diab et al.		7,254,434 B2	8/2007	Schulz et al.	
7,015,451 B2	3/2006	Dalke et al.		7,272,425 B2	9/2007	Al-Ali	
D519,465 S	4/2006	Sirichai et al. ....	D13/156	7,274,955 B2	9/2007	Kiani et al.	
7,024,233 B2	4/2006	Ali et al.		7,280,858 B2	10/2007	Al-Ali et al.	
7,027,849 B2	4/2006	Al-Ali		D567,183 S	4/2008	Victor .....	D13/156
7,030,749 B2	4/2006	Al-Ali		2006/0246780 A1	11/2006	Bert et al.	
D520,459 S	5/2006	Kent et al. ....	D13/156	2007/0123065 A1	5/2007	Rosenfeldt et al.	
7,039,449 B2	5/2006	Al-Ali					
7,041,060 B2	5/2006	Flaherty et al.					
7,044,918 B2	5/2006	Diab					
7,067,893 B2	6/2006	Mills et al.					
D524,759 S	7/2006	Wada et al. ....	D13/156				
7,096,052 B2	8/2006	Mason et al.					
7,096,054 B2	8/2006	Abdul-Hafiz et al.					
7,132,641 B2	11/2006	Schulz et al.					
7,142,901 B2	11/2006	Kiani et al.					

## OTHER PUBLICATIONS

U.S. Appl. No. 29/304,439.  
 U.S. Appl. No. 12/248,856.  
 International Search Report and Written Opinion for Application No.  
 PCT/US2008/079429, mailed Feb. 12, 2009 in 13 pages.

\* cited by examiner

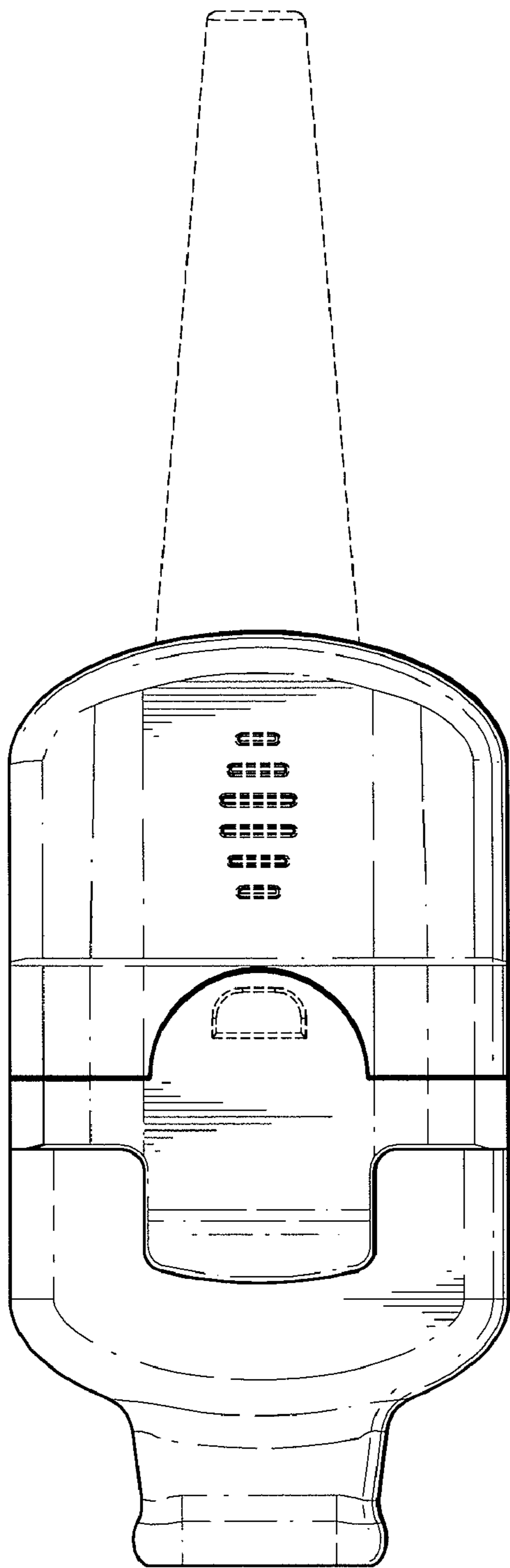


FIG. 1

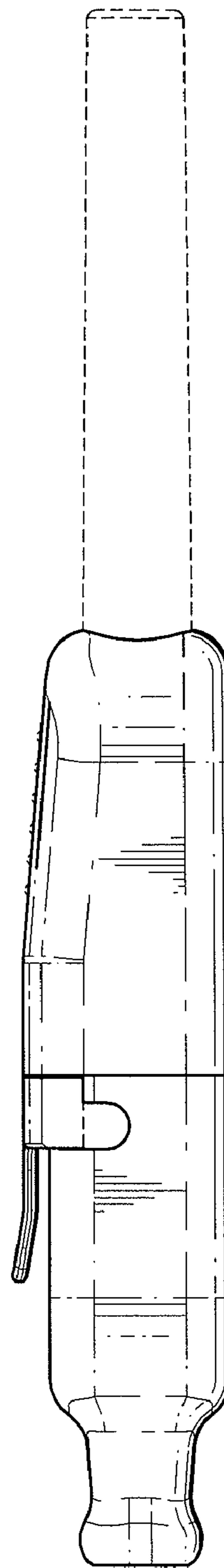
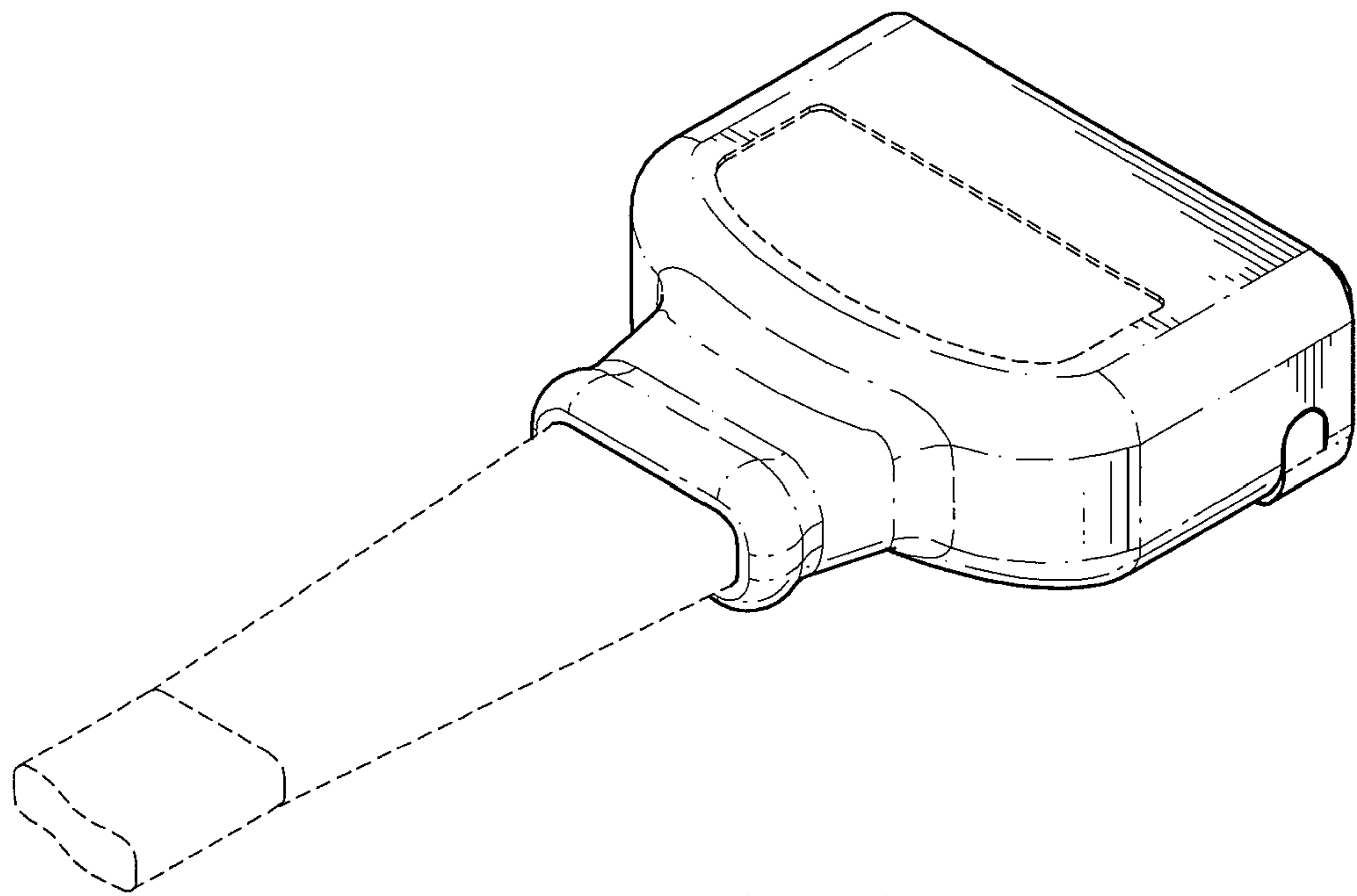
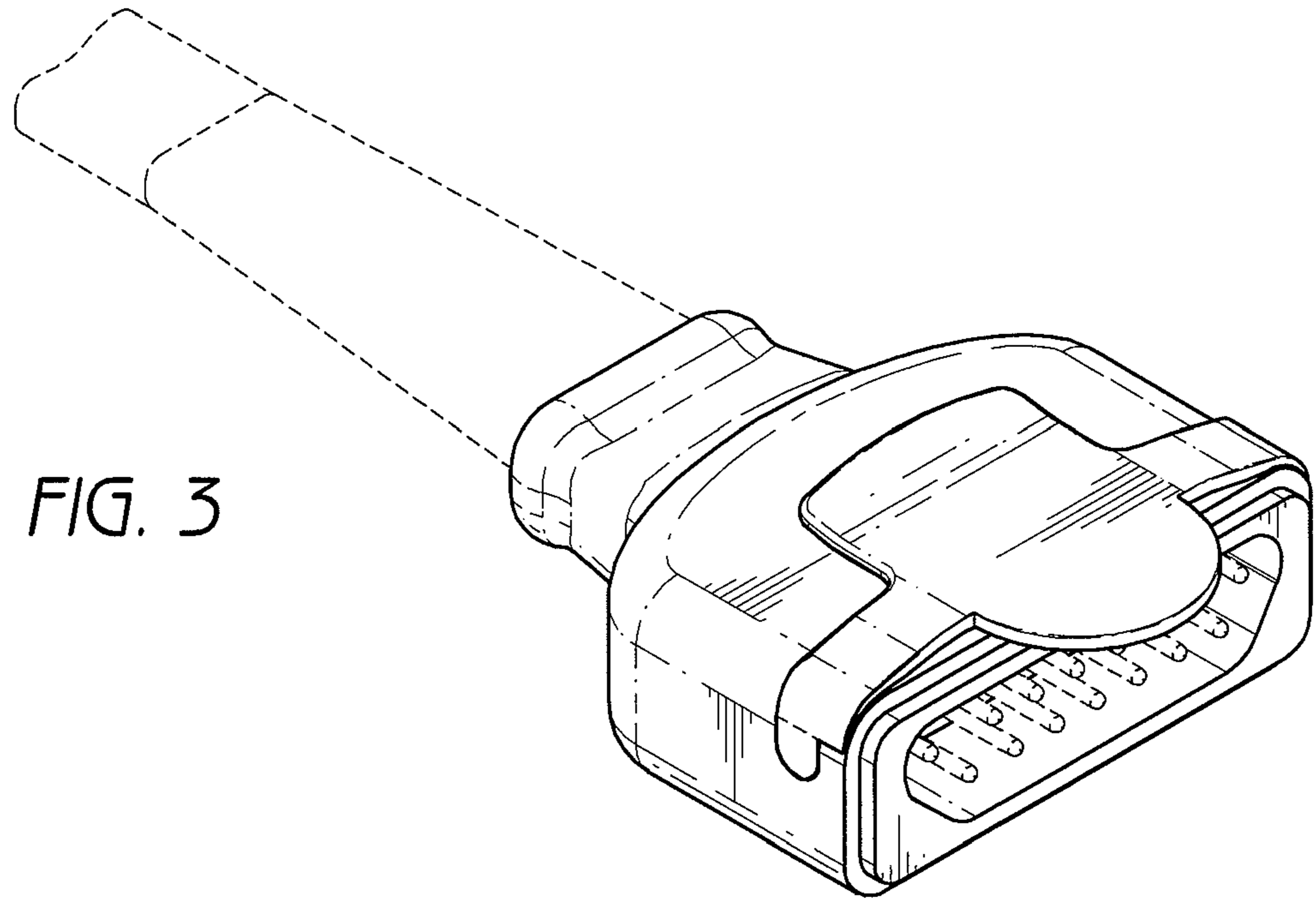


FIG. 2



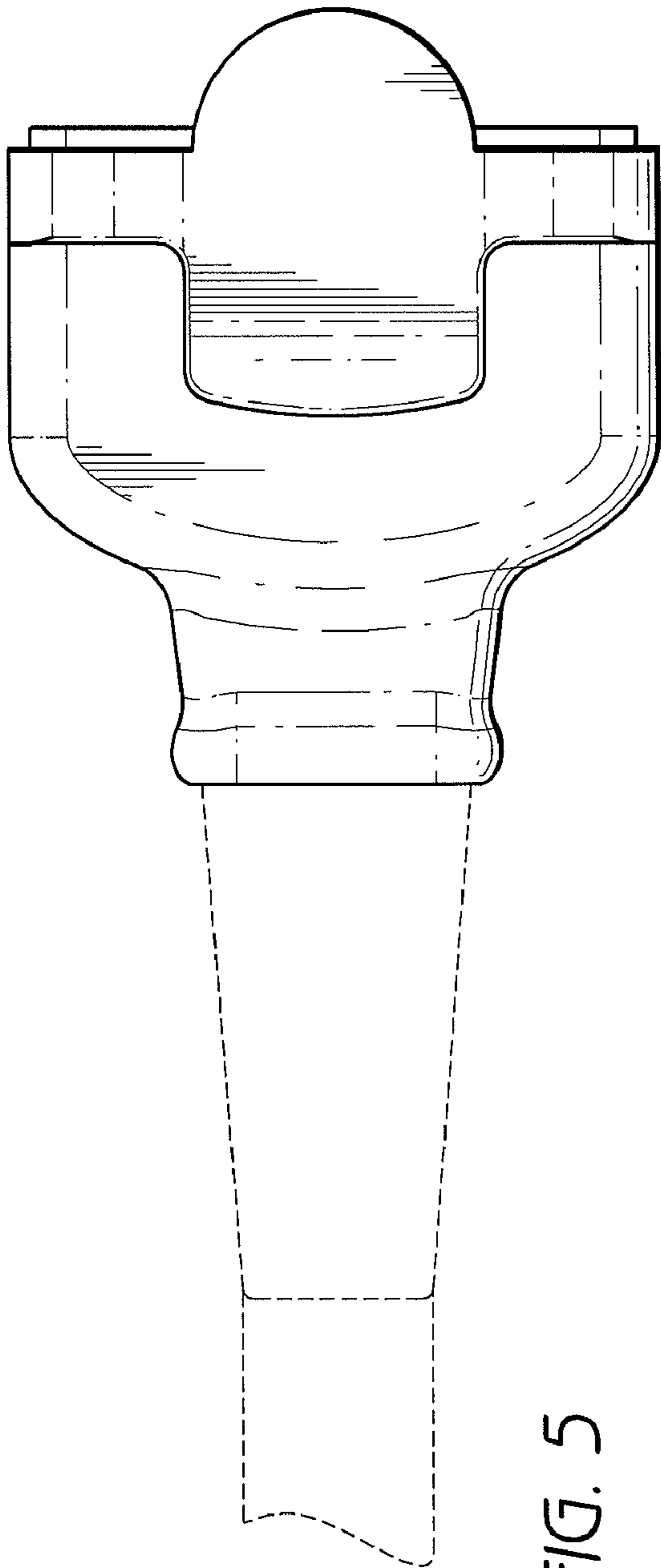


FIG. 5

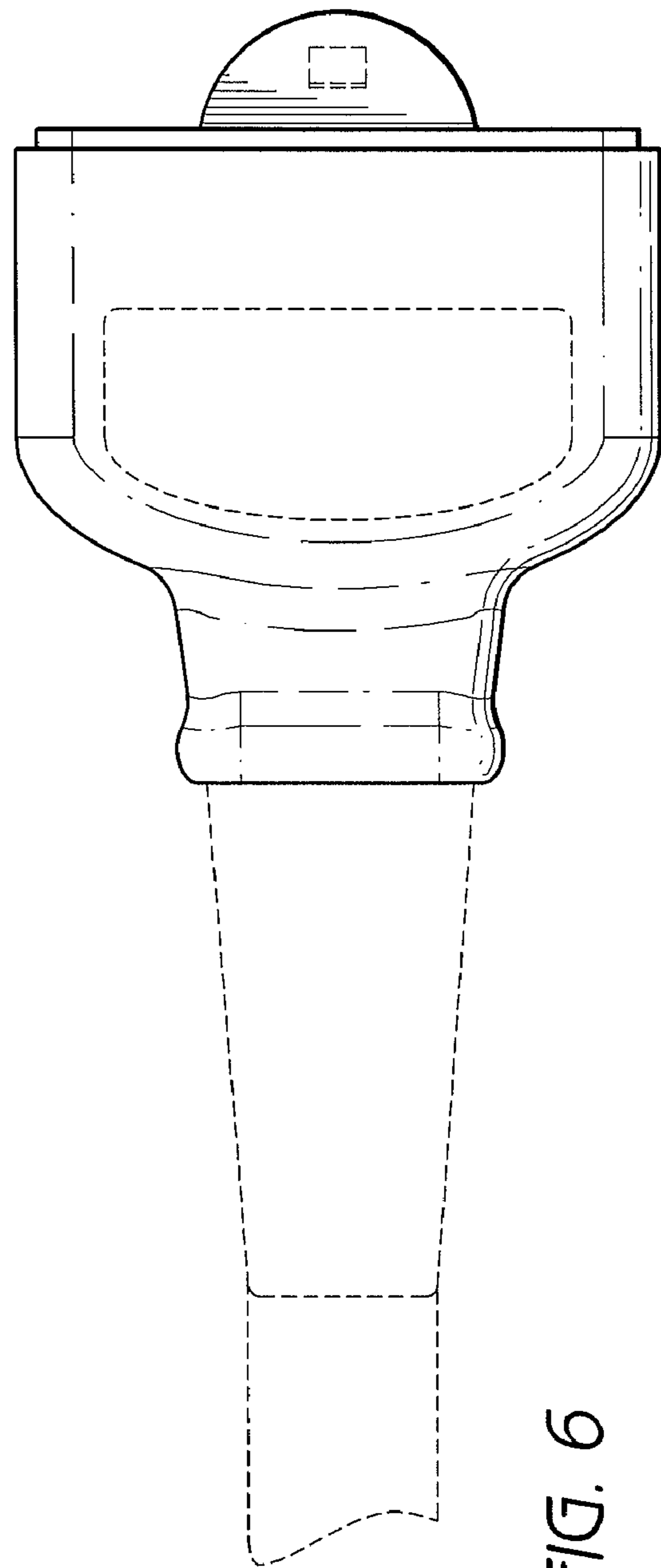


FIG. 6

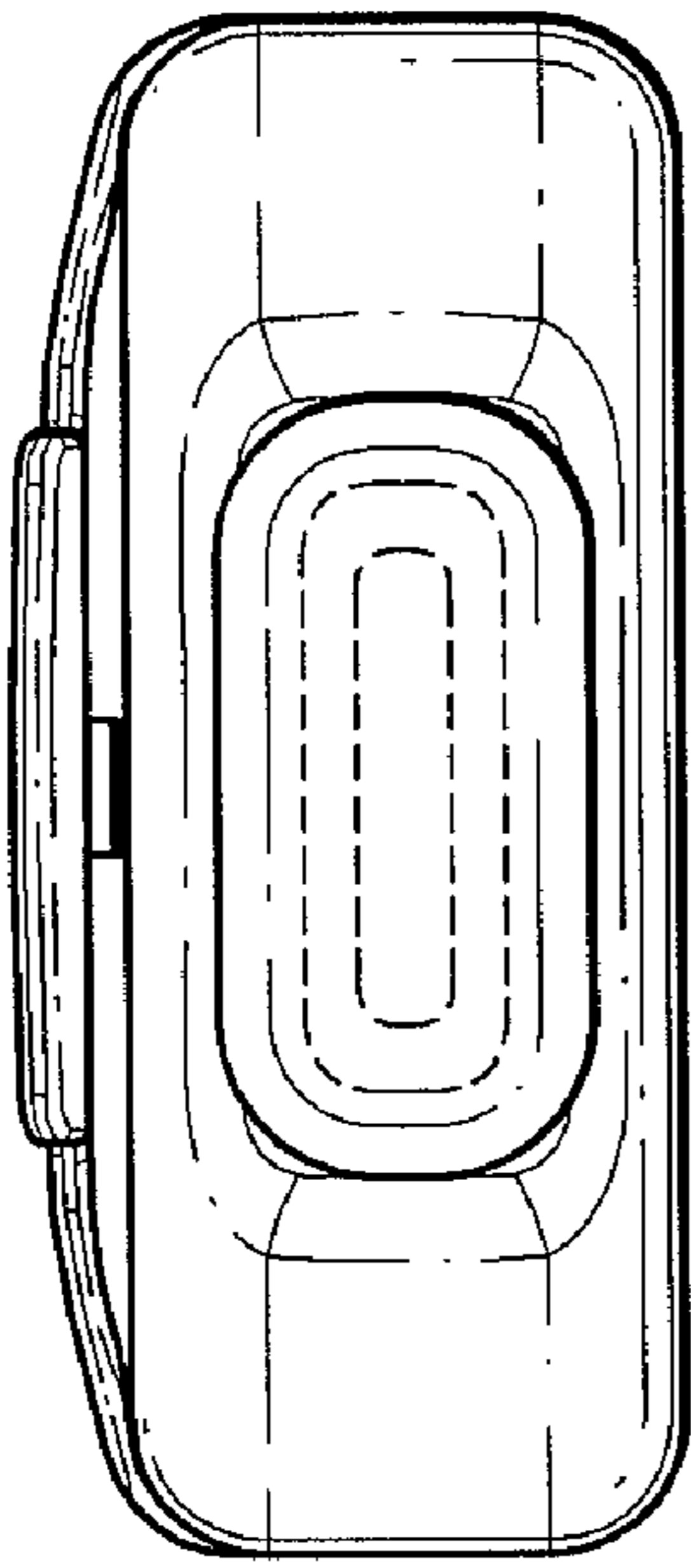


FIG. 8

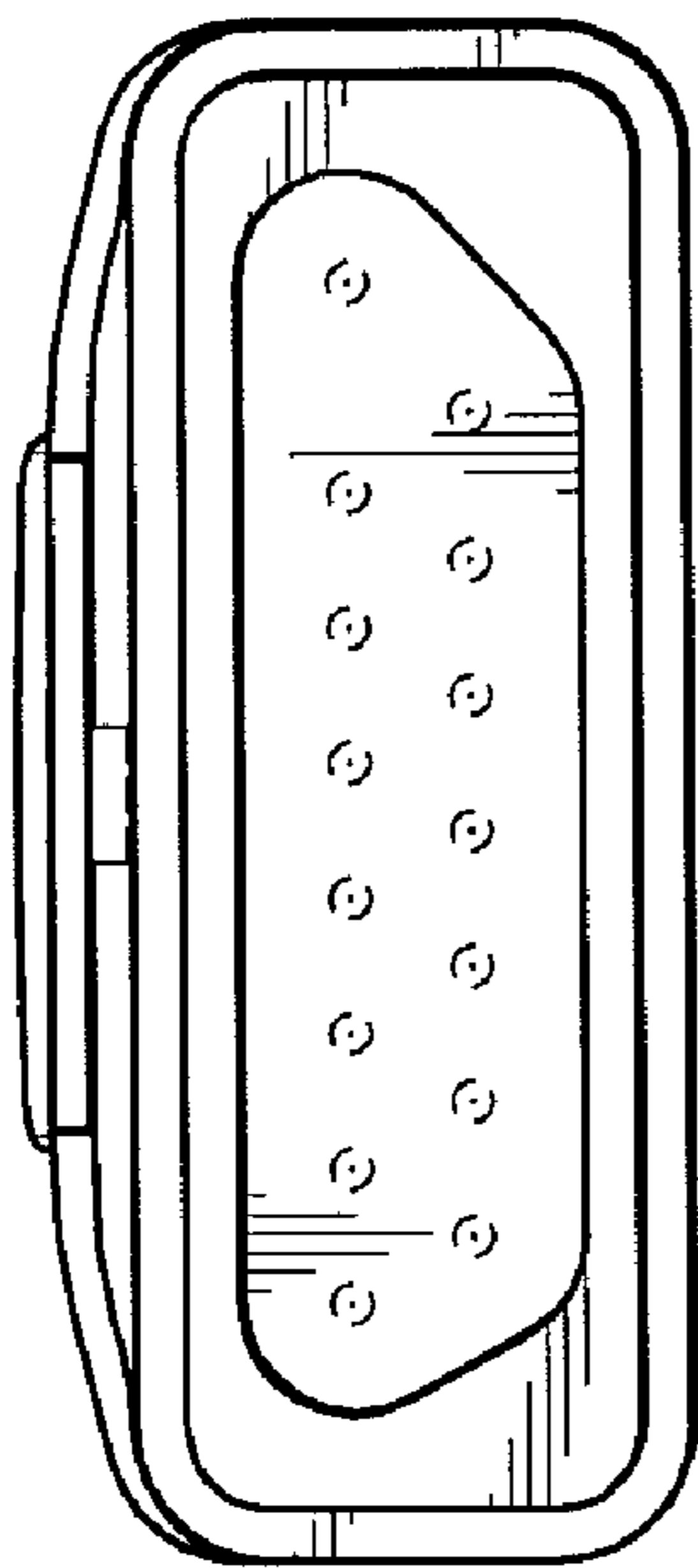


FIG. 7

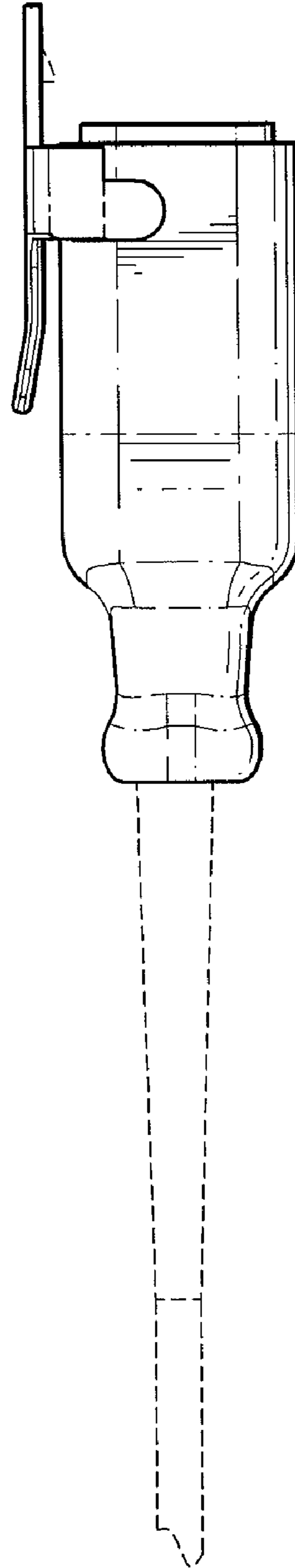


FIG. 9

FIG. 10

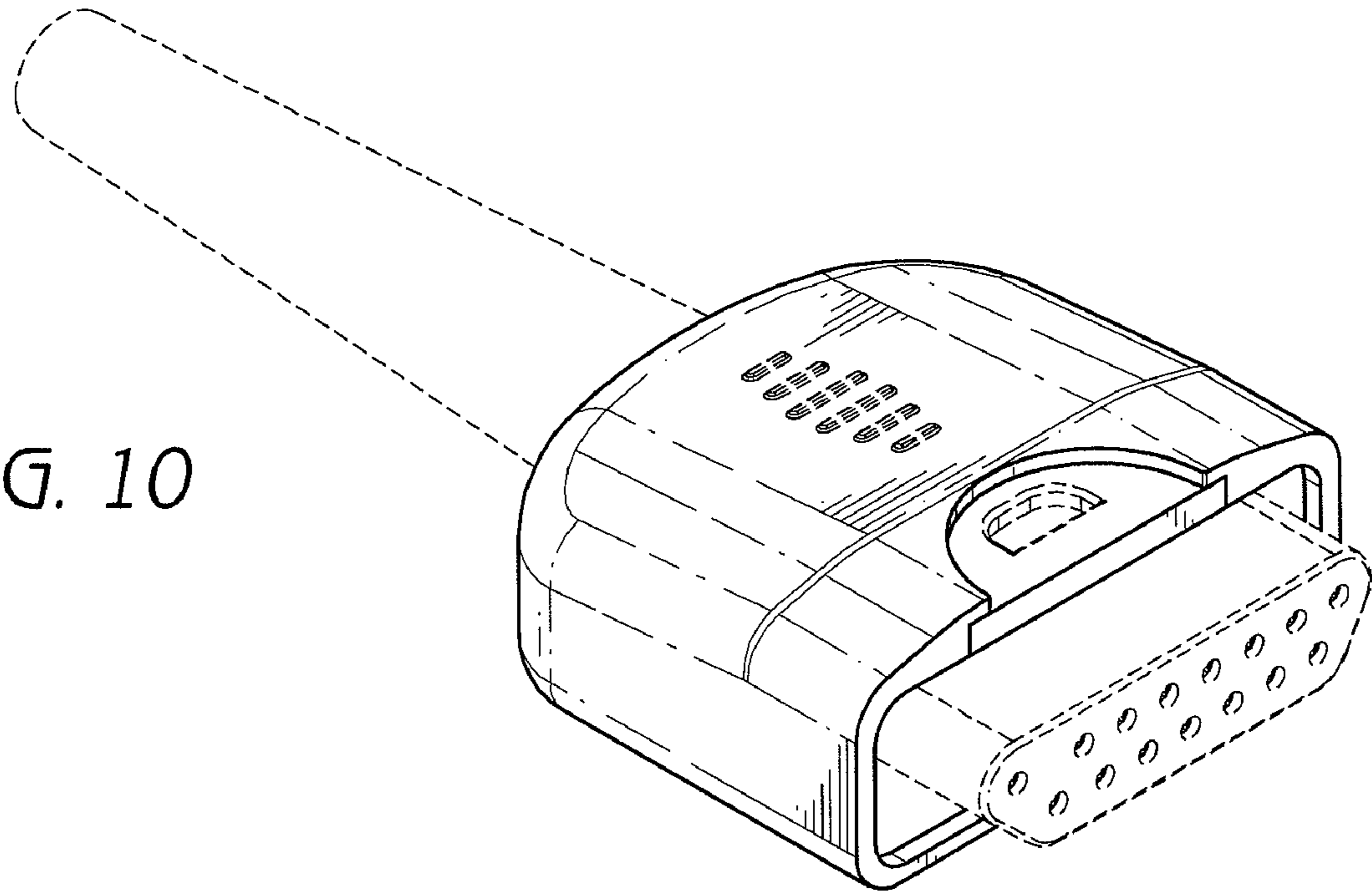
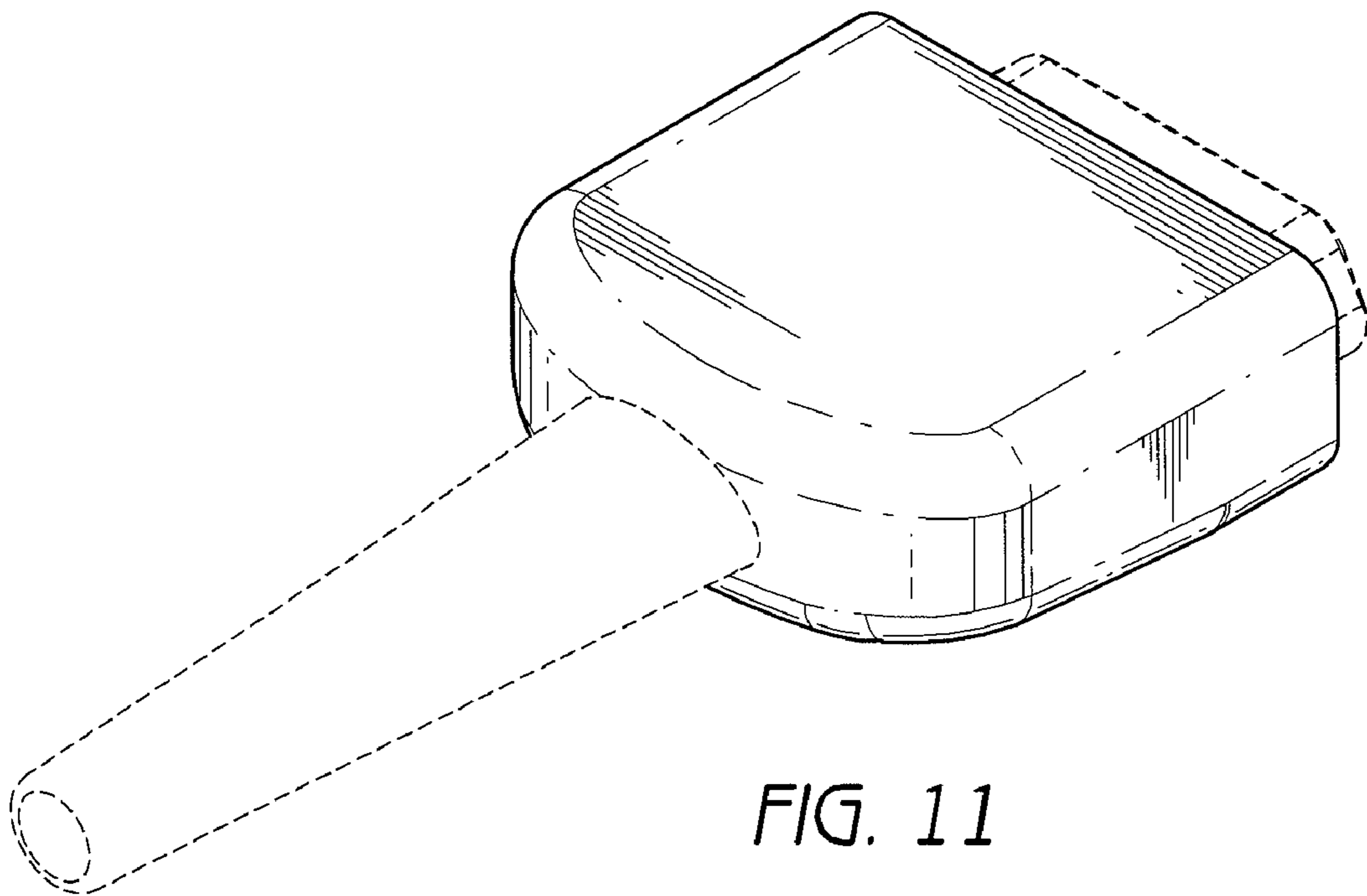


FIG. 11





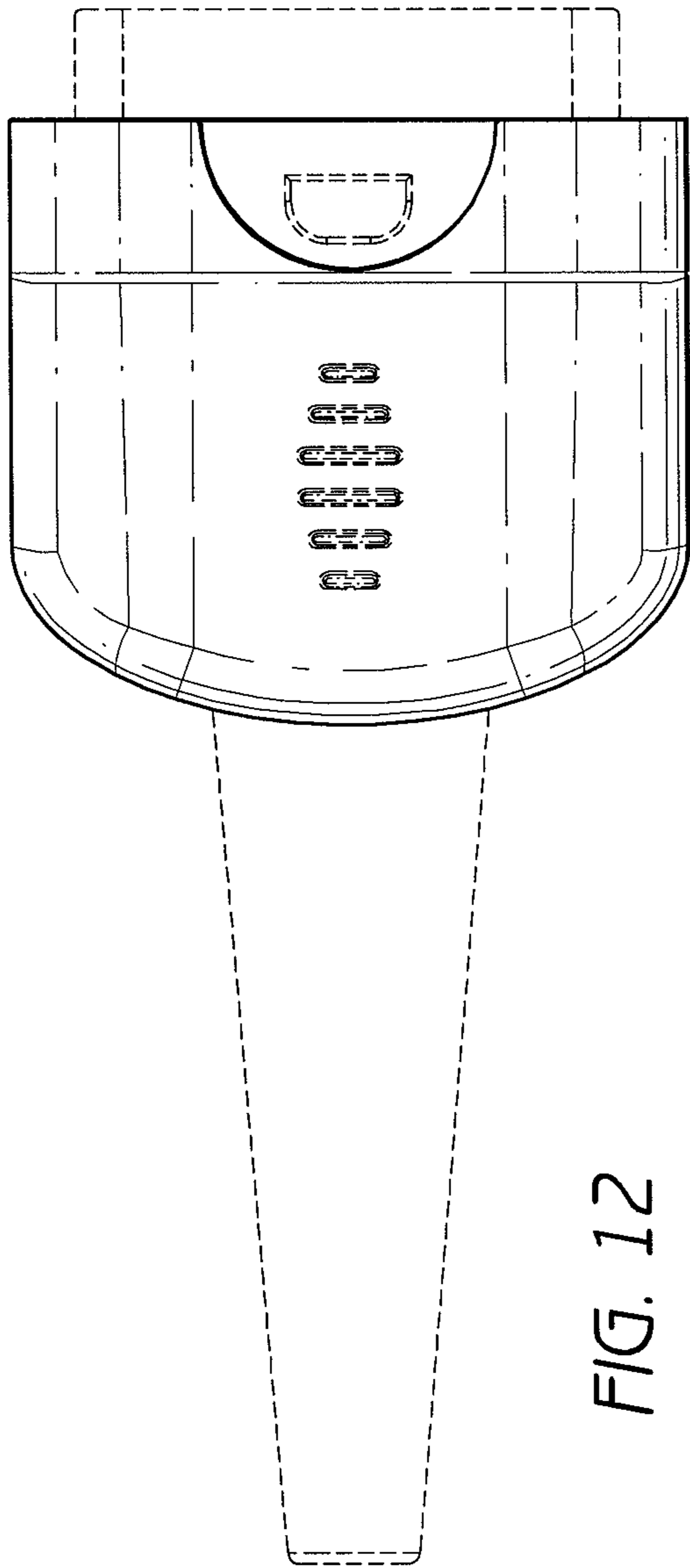


FIG. 12

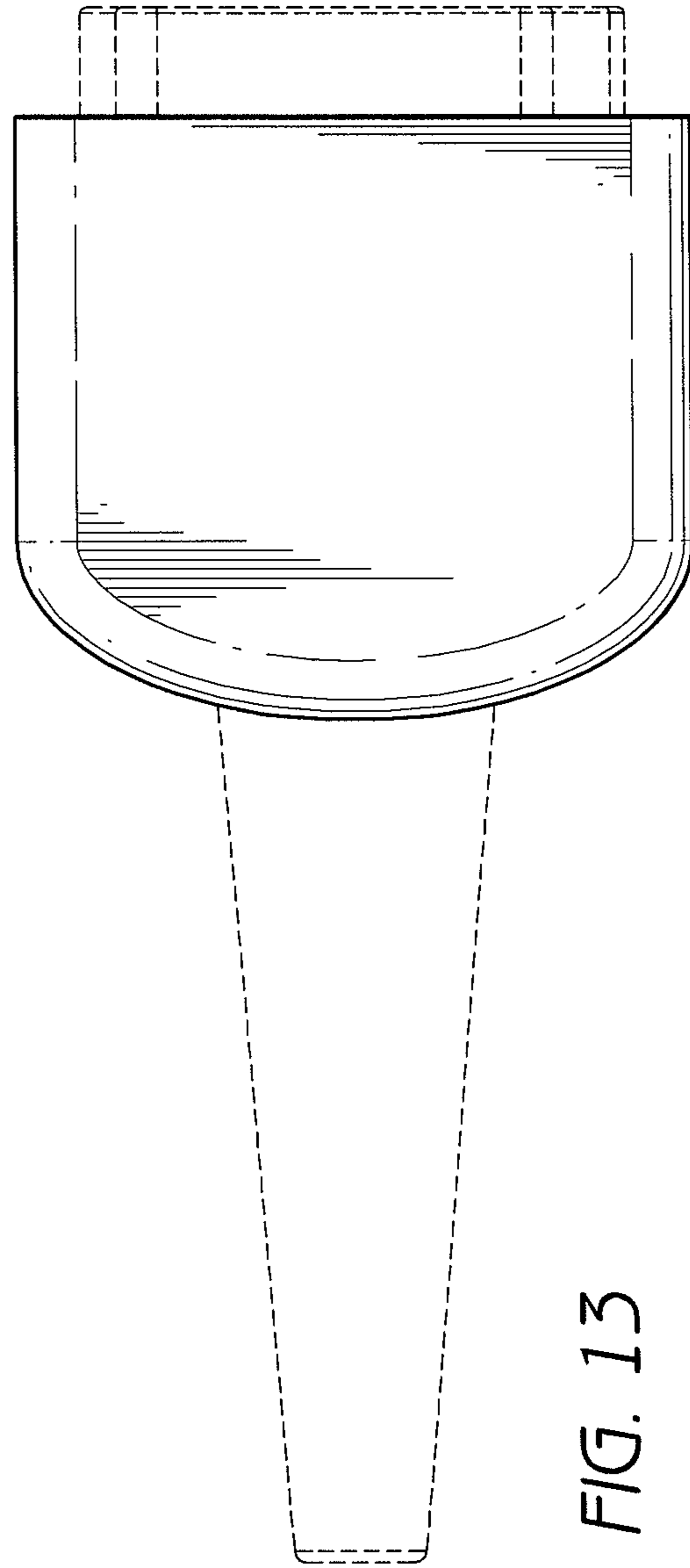


FIG. 13

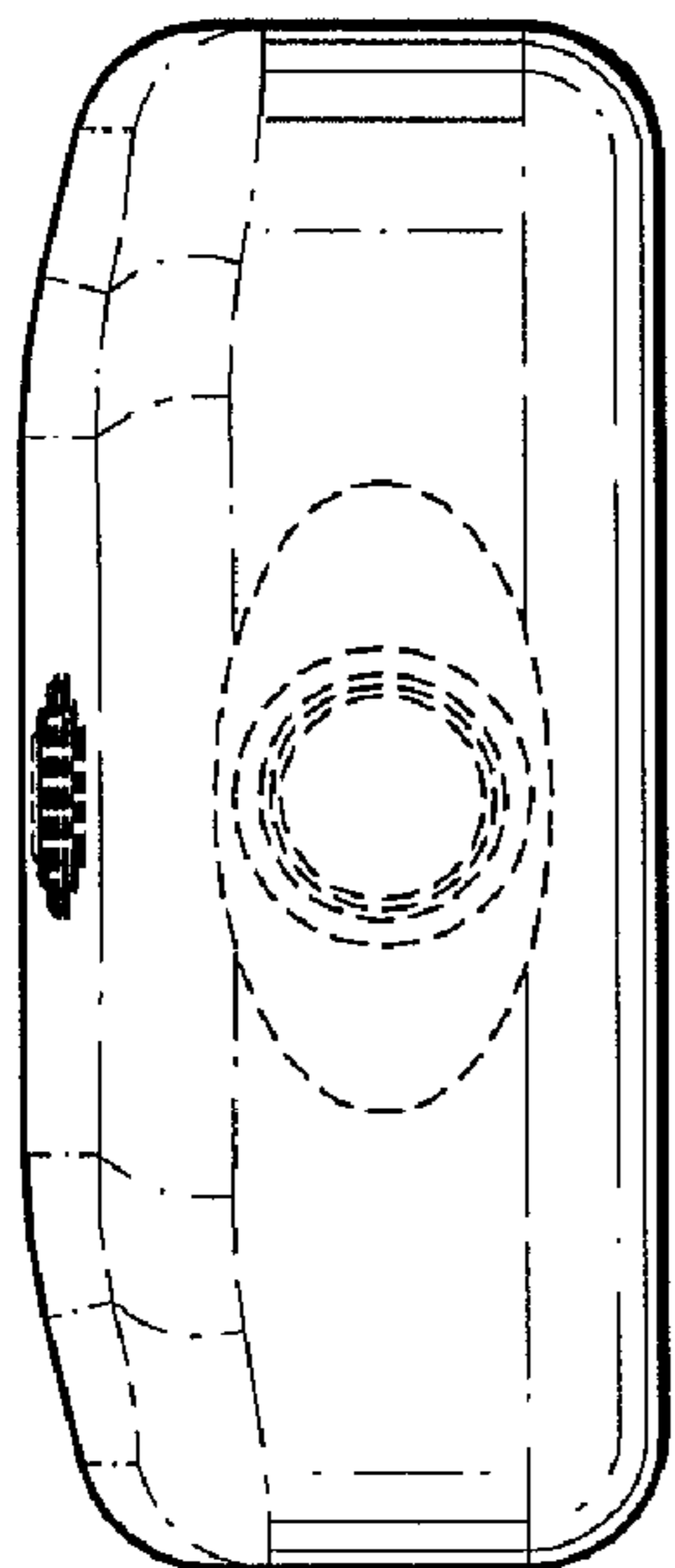


FIG. 15

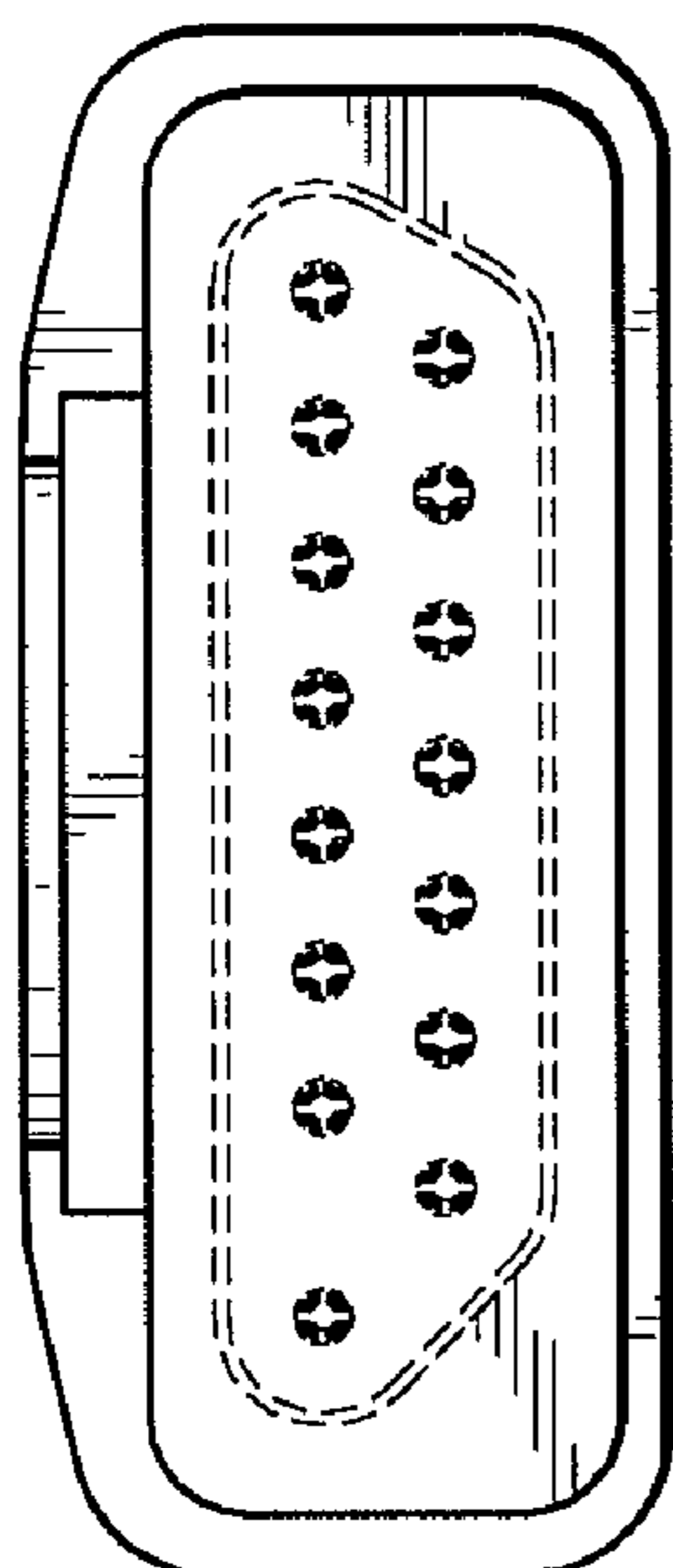


FIG. 14

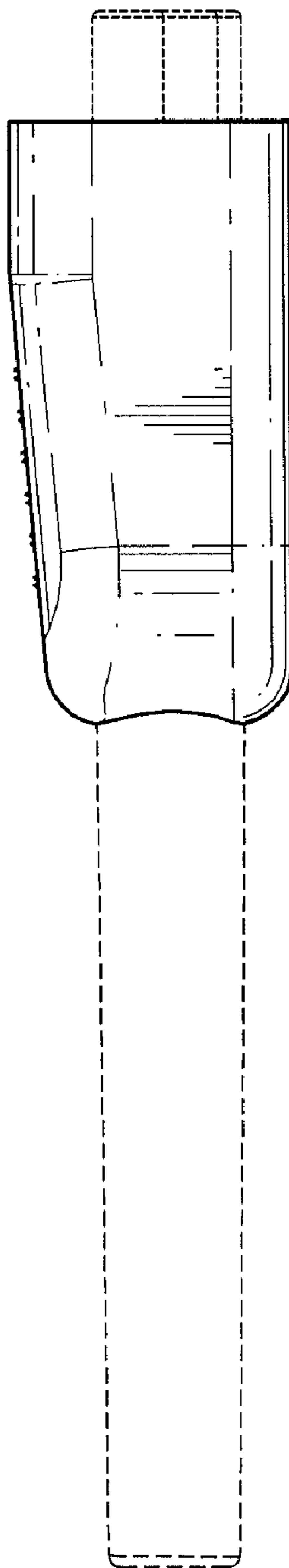


FIG. 16