



US00D609192S

(12) **United States Design Patent**
Sayres et al.

(10) **Patent No.:** **US D609,192 S**
(45) **Date of Patent:** **** Feb. 2, 2010**

(54) **FIBER TROUGH HORIZONTAL CROSS COMPONENT**

4,234,760 A *	11/1980	Lawson	174/138 F
D278,229 S	4/1985	Widell		
4,907,767 A	3/1990	Corsi		
4,951,716 A	8/1990	Tsunoda		
D320,782 S	10/1991	Henneberger		
D320,976 S	10/1991	Henneberger		
D321,682 S	11/1991	Henneberger		
D321,862 S	11/1991	Henneberger		

(75) Inventors: **Derek Sayres**, Lonsdale, MN (US);
Thomas C. Tinucci, Chaska, MN (US);
Yilmaz Bayazit, St. Louis Park, MN (US)

(73) Assignee: **ADC Telecommunications, Inc.**, Eden Prairie, MN (US)

(Continued)

(**) Term: **14 Years**

FOREIGN PATENT DOCUMENTS

DE 1 130 492 5/1962

(21) Appl. No.: **29/328,318**

(Continued)

(22) Filed: **Nov. 21, 2008**

OTHER PUBLICATIONS

U.S. Appl. No. 29/276,485, filed Jan. 26, 2007.

Related U.S. Application Data

(Continued)

(63) Continuation of application No. 11/246,003, filed on Oct. 7, 2005, now Pat. No. 7,471,868.

Primary Examiner—Rosemary K Tarcza

(74) *Attorney, Agent, or Firm*—Merchant & Gould P.C.

(51) **LOC (9) Cl.** **13-03**

(52) **U.S. Cl.** **D13/155**

(58) **Field of Classification Search** D8/356;
D13/154–157, 184; 104/275; 138/106–107,
138/112–113, 116–117, 155–158, 162–163,
138/166–169, 174; 14/169.5; 174/101, 38,
174/68.1, 68.3, 72 A, 72 C, 75 R, 84 R, 91,
174/92, 95, 97, 135; 385/134, 136; 248/68.1;
403/293, 294

(57)

CLAIM

The ornamental design for a fiber trough horizontal cross component, as shown and described.

See application file for complete search history.

DESCRIPTION

FIG. 1 is a first top perspective view of the fiber trough horizontal cross component.

FIG. 2 is a second top perspective view thereof.

FIG. 3 is a bottom perspective view thereof.

FIG. 4 is a top view thereof.

FIG. 5 is a bottom view thereof.

FIG. 6 is a first side view thereof; and,

FIG. 7 is a second side view thereof.

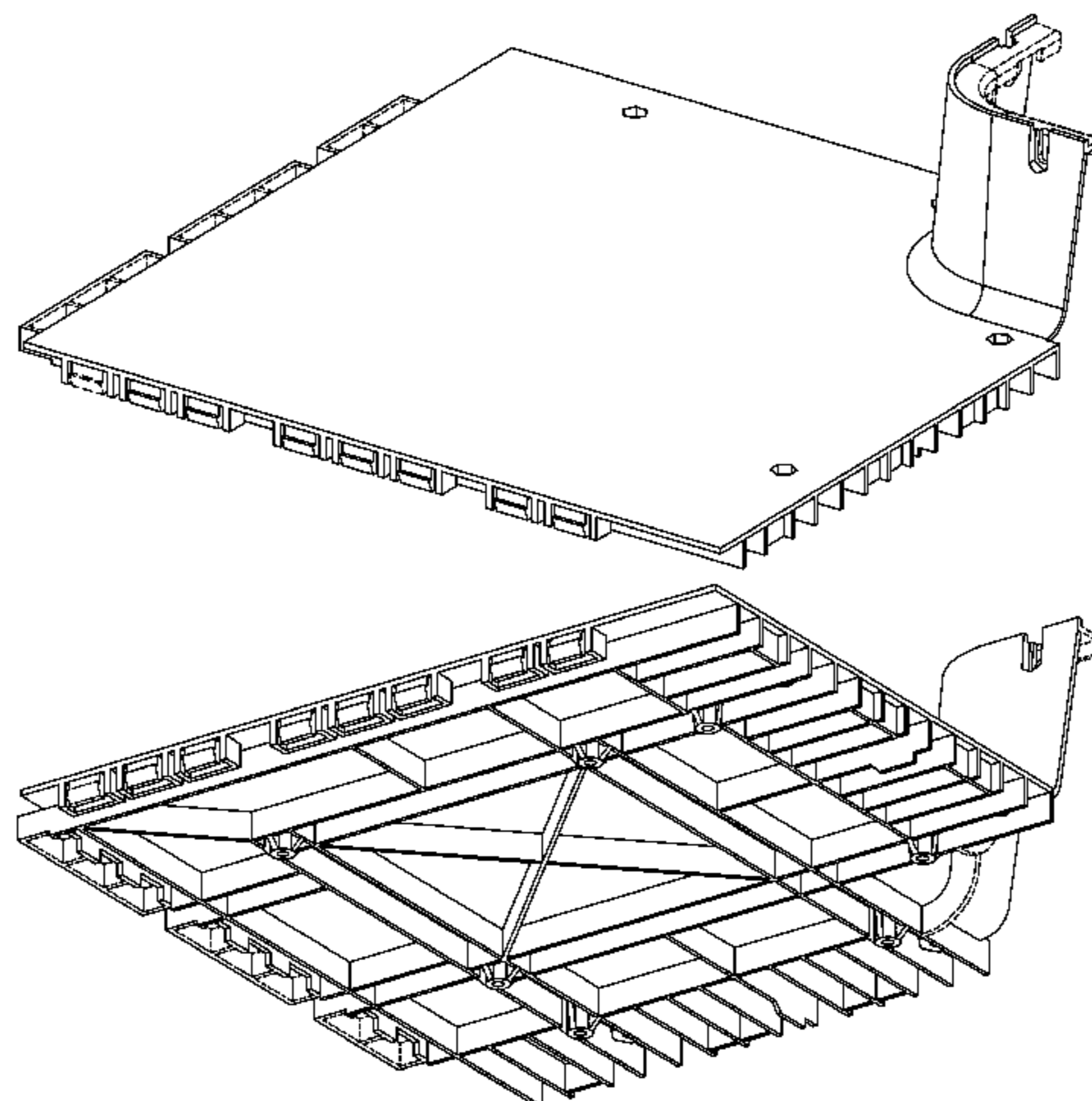
The broken line showing aspects of the trough horizontal cross component is for the purpose of illustrating environmental structure and forms no part of the claimed design.

(56) **References Cited**

U.S. PATENT DOCUMENTS

799,320 A	9/1905	Franks	
D49,682 S *	9/1916	Abbott D13/155
D49,683 S *	9/1916	Abbott D13/155
D184,913 S *	4/1959	Cataldo D13/155
3,035,800 A	5/1962	McLeod	
3,351,699 A	11/1967	Merckle	
3,761,603 A	9/1973	Hays	
D237,500 S	11/1975	Legerius	
3,927,698 A	12/1975	Johannsen	
4,077,434 A	3/1978	Sieckert	

1 Claim, 6 Drawing Sheets



US D609,192 S

Page 2

U.S. PATENT DOCUMENTS

5,067,678	A	11/1991	Henneberger et al.	
D322,596	S	12/1991	Henneberger	
5,160,811	A	11/1992	Ritzmann	
5,161,580	A	11/1992	Klug	
5,240,209	A	8/1993	Kutsch	
5,271,585	A	12/1993	Zetena, Jr.	
5,316,243	A	5/1994	Henneberger	
5,316,244	A	5/1994	Zetena, Jr.	
5,335,349	A	8/1994	Kutsch	
5,469,893	A	11/1995	Caveney	
5,503,354	A	4/1996	Lohf	
5,715,099	A	2/1998	Takemoto	
5,752,781	A	5/1998	Haataja	
5,753,855	A	5/1998	Nicoli	
5,899,025	A	5/1999	Casey	
5,923,753	A	7/1999	Haataja	
D413,306	S	* 8/1999	Scherer et al.	D13/155
5,937,131	A	8/1999	Haataja	
D415,471	S	10/1999	Henry	
5,995,699	A	11/1999	Vargas	
D419,697	S	* 1/2000	Kroesbergen	D25/138
6,037,538	A	3/2000	Brooks	
6,037,543	A	3/2000	Nicoli	
6,076,779	A	6/2000	Johnson	
6,107,575	A	8/2000	Miranda	
6,198,047	B1	3/2001	Barr	
D447,737	S	9/2001	Scherer	
6,437,244	B1	8/2002	Vander Velde	
6,450,458	B1	9/2002	Bernard	
6,522,823	B1	2/2003	Wentworth	
6,535,683	B1	3/2003	Johnson	
6,559,378	B1	5/2003	Bernard	
6,603,073	B2	8/2003	Ferris	
6,625,373	B1	9/2003	Wentworth	
6,631,875	B1	10/2003	Kampf	
6,634,605	B2	10/2003	Bernard	
6,708,918	B2	3/2004	Ferris et al.	
6,709,186	B2	3/2004	Ferris et al.	
6,715,719	B2	4/2004	Nault	

6,727,434	B2	4/2004	Jadaud
6,739,795	B1	5/2004	Haataja
7,034,227	B2	4/2006	Fox
7,045,707	B1	5/2006	Galasso
2002/0096606	A1	7/2002	Bernard
2003/0047343	A1	3/2003	Ferris
2004/0124321	A1	7/2004	Kampf
2004/0159750	A1	8/2004	Ferris
2007/0092196	A1	4/2007	Bayazit

FOREIGN PATENT DOCUMENTS

DE	37 42 448	A1	6/1989
DE	296 10 947	U1	8/1996
EP	0 863 594	A2	9/1998
EP	0 933 850	A1	8/1999
FR	2 238 828		2/1975
FR	2 735 557		12/1996
JP	5-172281	A	7/1993
SU	1272387	A1	11/1986

OTHER PUBLICATIONS

Communication Regarding Application dated Nov. 21, 2008, 2 pages.

Copy of International Search Report mailed Jan. 29, 2007 (PCT/US2006/038648).

ADC Telecommunications brochure entitled "FiberGuide® Fiber Management Systems," 33 pages, dated Oct. 1995.

Warren & Brown & Staff brochure pages entitled "lightpaths," Issue 2, 11 pages., dated 1995.

ADC Telecommunications brochure entitled "Fiber Guide™ Fiber Management System," 6 pages, dated Jun. 1989.

ADC Telecommunications brochure entitled "ADC FiberGuide® System Express Exit™ 2x2," 2 pages, dated May 1999.

ADC Telecommunications brochure entitled "FiberGuide® Fiber Management Systems," 37 pages, dated Jun. 1998.

ADC Telecommunications brochure entitled FiberGuide® Fiber Management Systems, 56 pages, dated Sep. 2000.

ADC Telecommunications brochure entitled FiberGuide® Fiber Management Systems, 90 pages, dated May 2005.

* cited by examiner

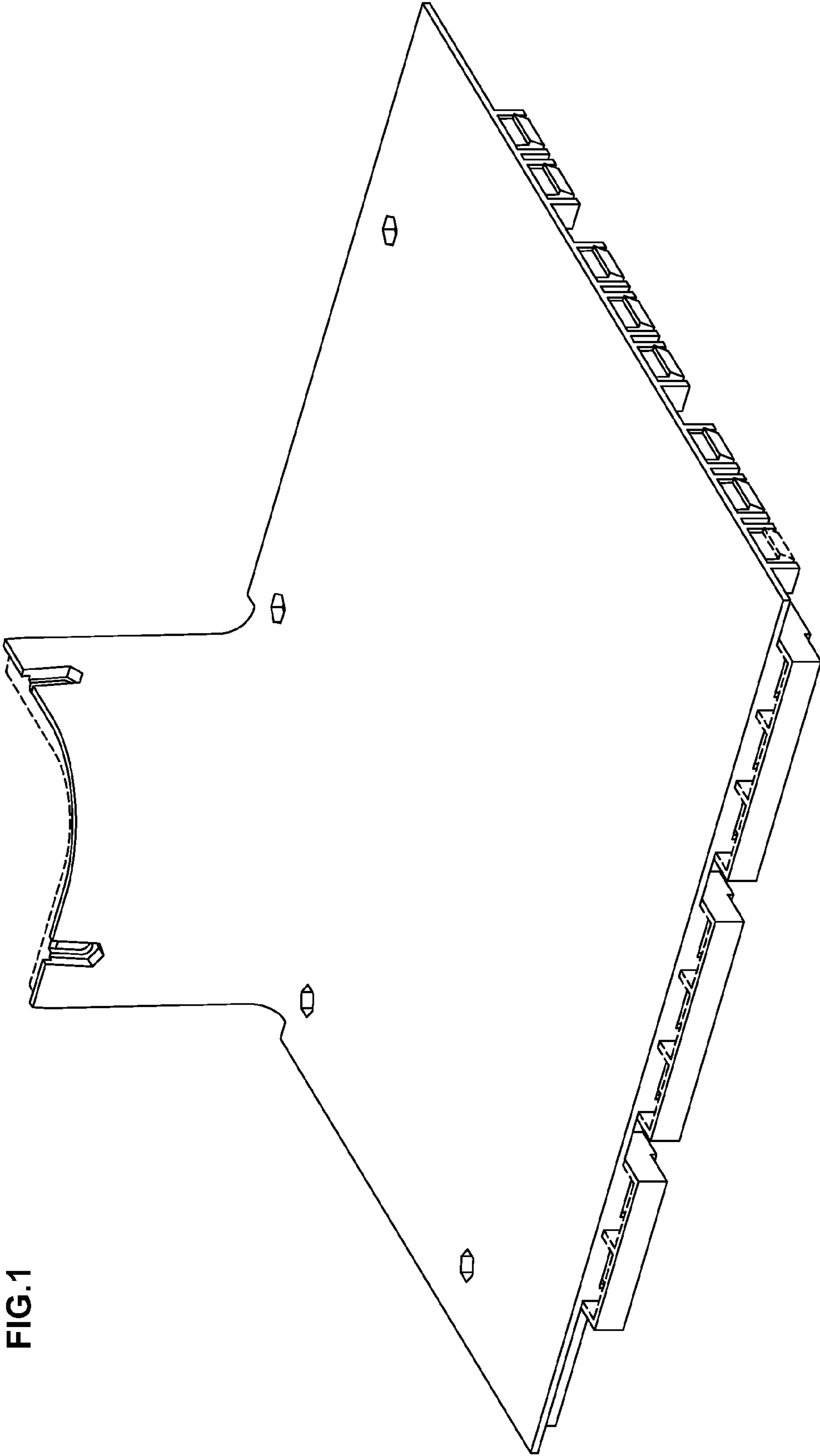


FIG.1

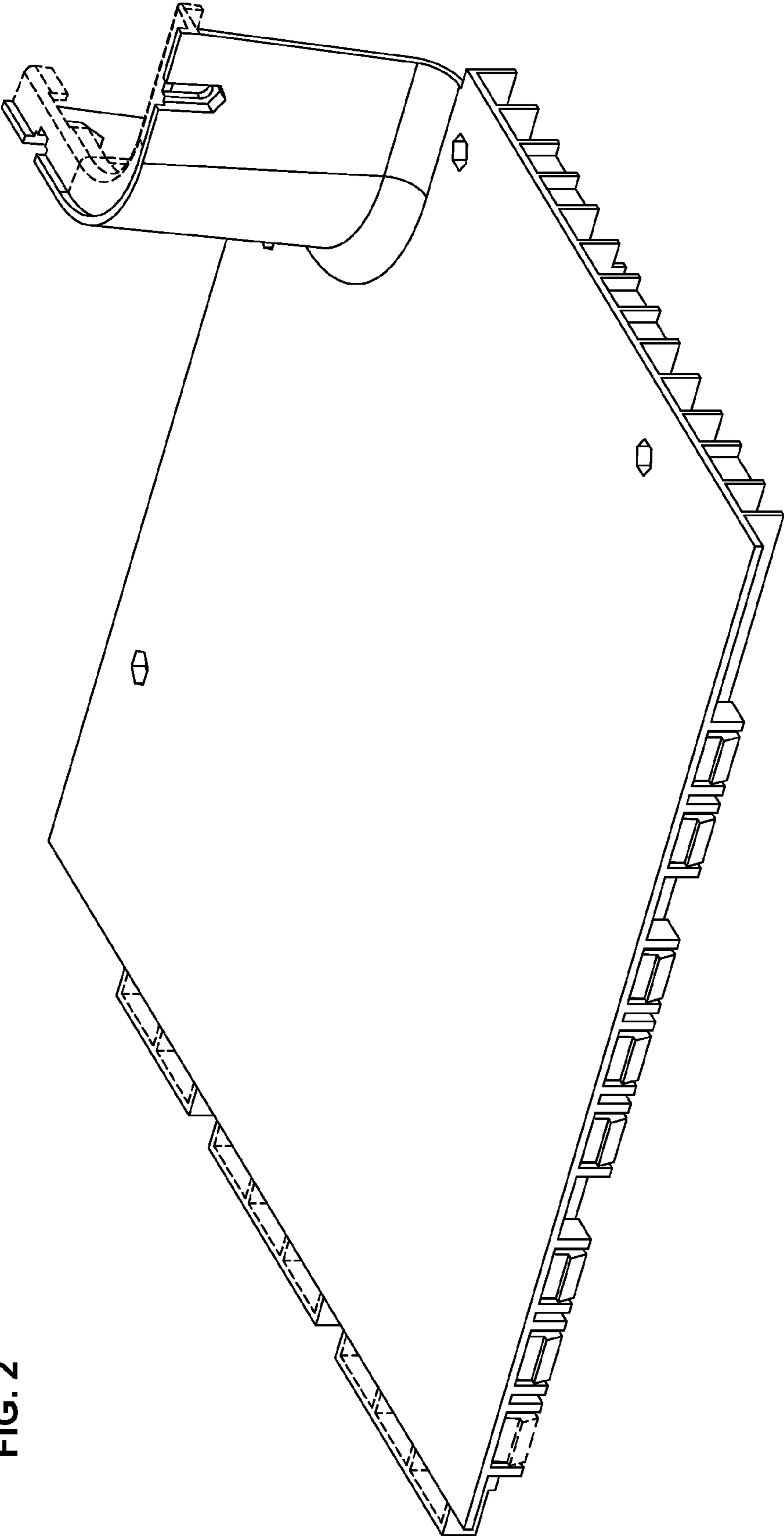


FIG. 2

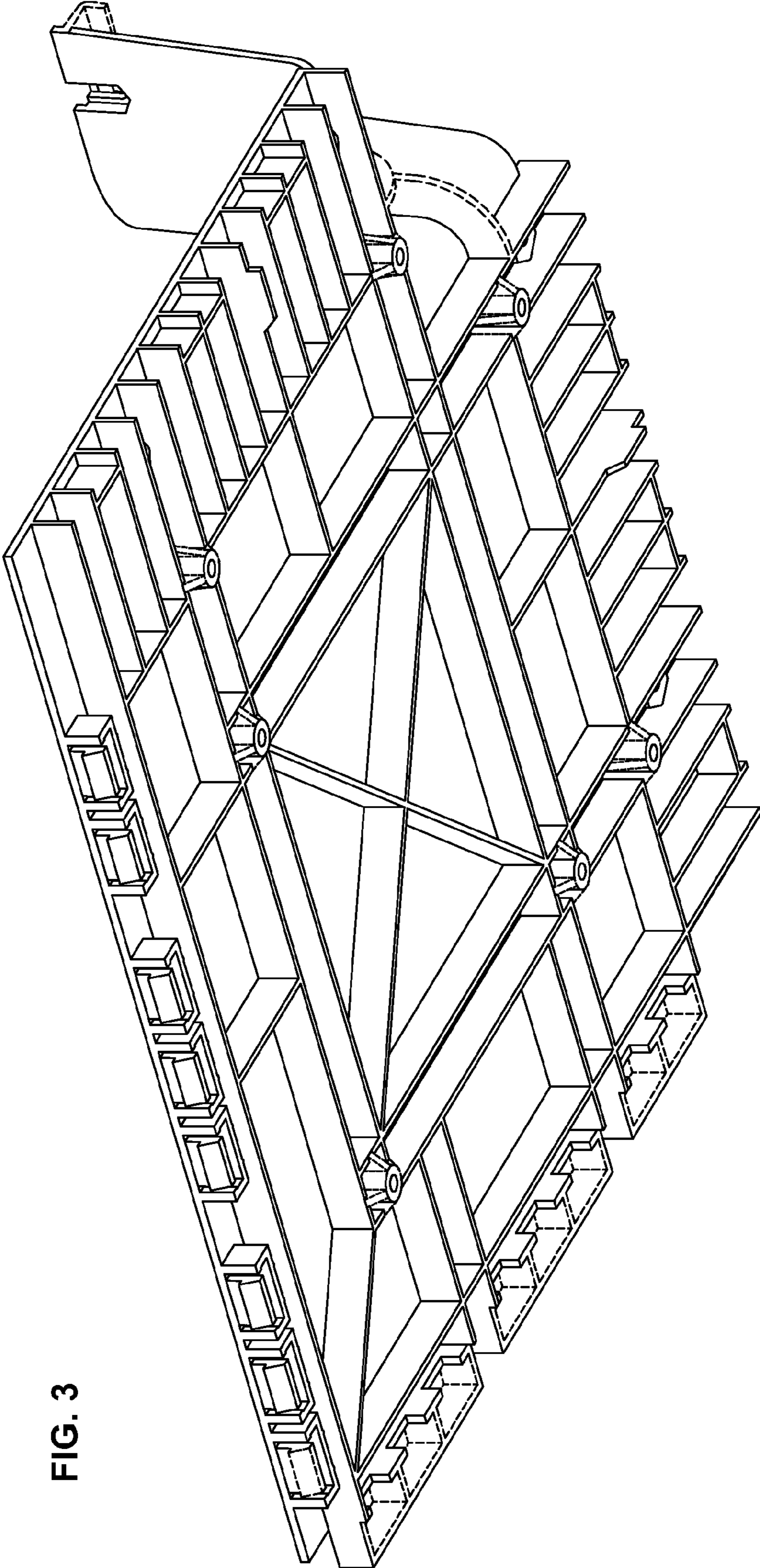


FIG. 3

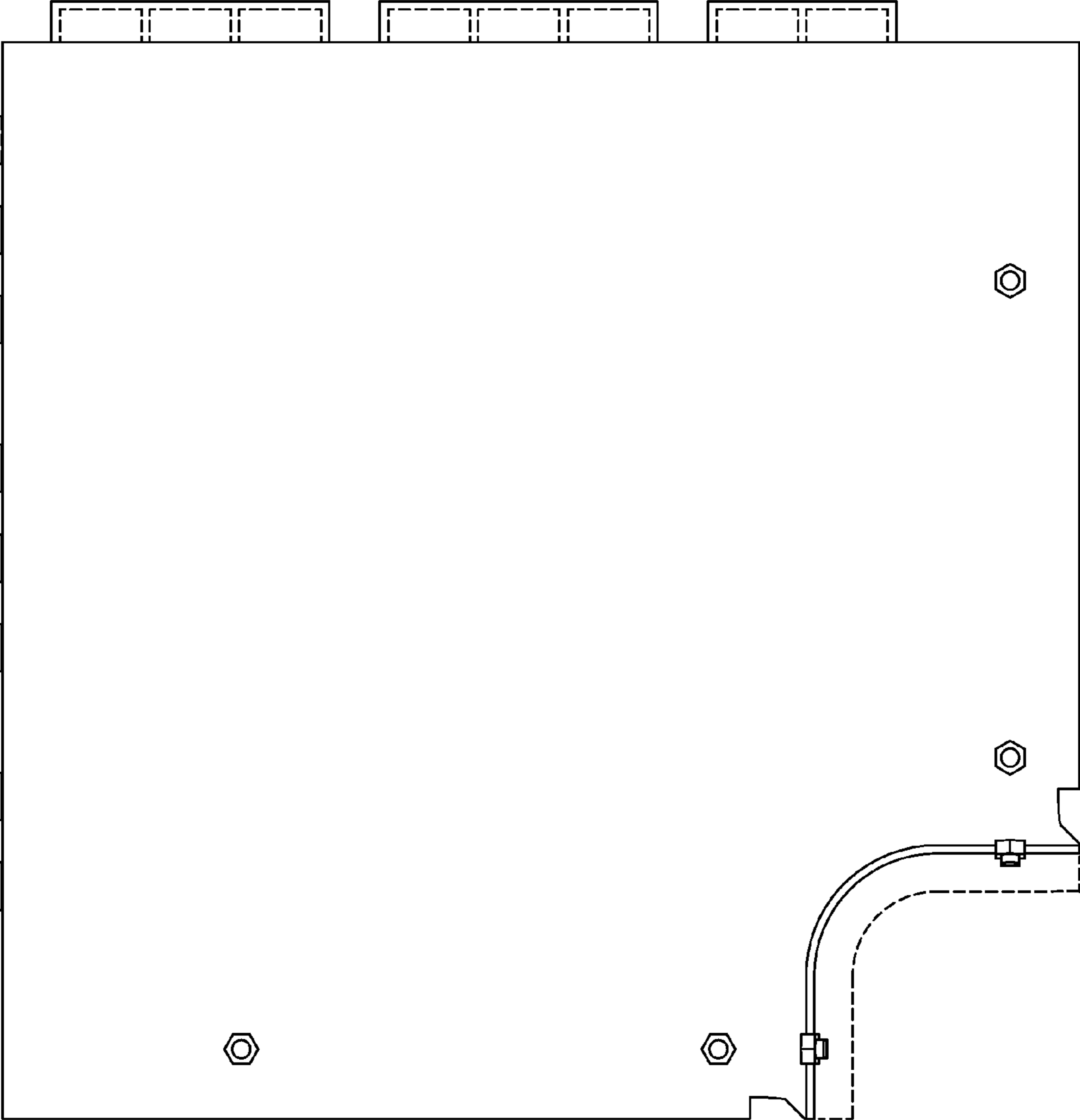


FIG. 4

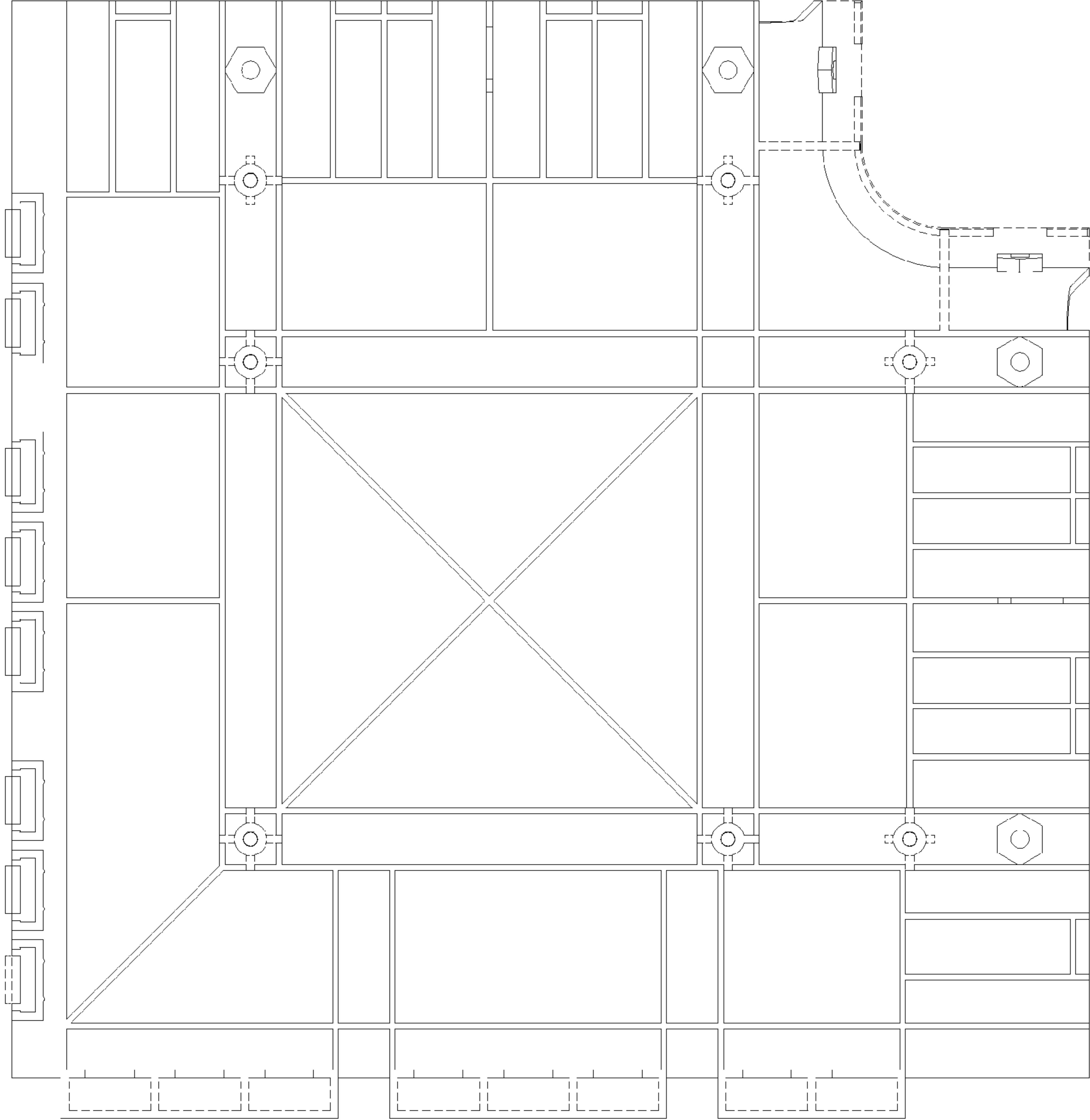


FIG. 5

FIG. 6

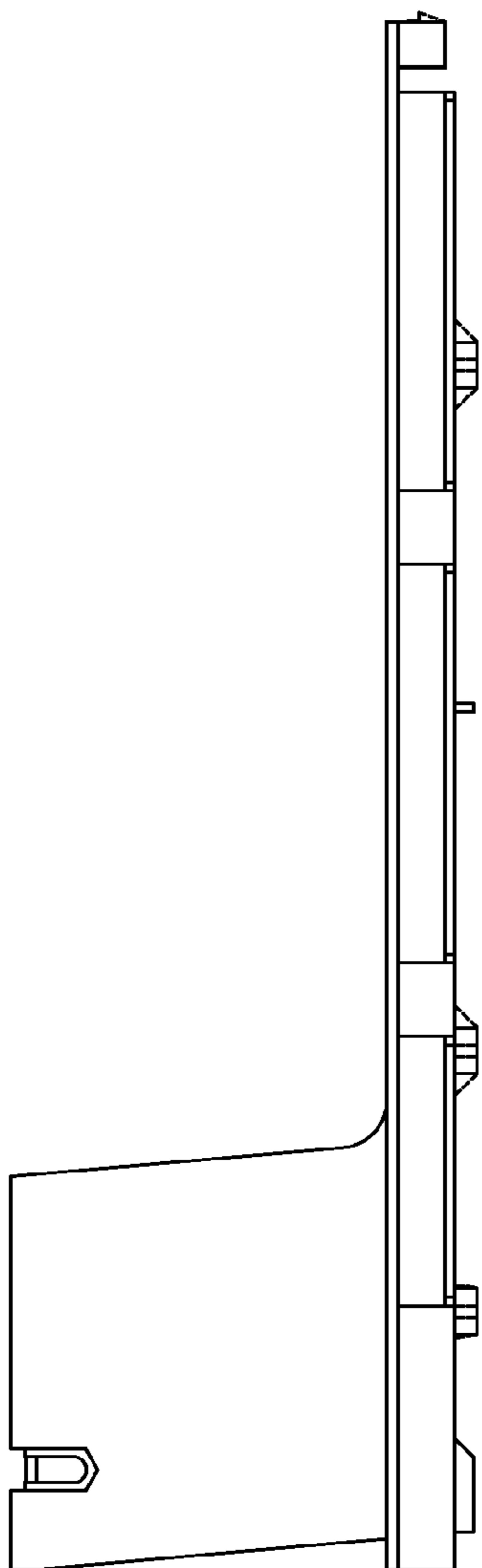


FIG. 7

