



US00D609191S

(12) **United States Design Patent**  
**Feldvoss et al.**

(10) **Patent No.:** **US D609,191 S**  
(45) **Date of Patent:** **\*\* Feb. 2, 2010**

(54) **PACKAGE FOR ELECTRONIC DEVICE**

(75) Inventors: **Mario Feldvoss**, Munich (DE); **Erich Griebel**, Dorfen (DE); **Teck Sim Lee**, Melaka (MY); **Juergen Schredl**, Mering (DE)

(73) Assignee: **Infineon Technologies AG**, Neubiberg (DE)

(\*\*) Term: **14 Years**

(21) Appl. No.: **29/327,873**

(22) Filed: **Nov. 14, 2008**

(30) **Foreign Application Priority Data**

Jul. 25, 2008 (DE) ..... DE 40 2008 003 618

(51) **LOC (9) Cl.** ..... **13-03**

(52) **U.S. Cl.** ..... **D13/154; D13/164**

(58) **Field of Classification Search** ..... D13/133, D13/138.1, 146, 147, 154, 156, 184; 439/357, 439/358, 447, 483, 586, 578, 606-610, 668-669, 439/678-676, 889, 892

See application file for complete search history.

(56) **References Cited**

**U.S. PATENT DOCUMENTS**

D513,408 S *	1/2006	Suckle	.....	D13/154
D543,155 S *	5/2007	Suckle	.....	D13/154
D543,157 S *	5/2007	Suckle	.....	D13/154
D556,134 S *	11/2007	Lee et al.	.....	D13/133

\* cited by examiner

*Primary Examiner*—Nanda Bondade

(74) *Attorney, Agent, or Firm*—Dicke, Billig & Czaja, PLLC

(57) **CLAIM**

The ornamental design for a package for electronic device, as shown and described.

**DESCRIPTION**

FIG. 1 is a back view of a first embodiment of a package for electronic device of the present invention.

FIG. 2 is right side view thereof, the left side view being a mirror image;

FIG. 3 is a front view thereof.

FIG. 4 is a front-side perspective view thereof.

FIG. 5 is a front-end perspective view thereof.

FIG. 6 is a back-side perspective view thereof.

FIG. 7 is a back-side perspective view thereof.

FIG. 8 is a back view of a second embodiment of a package for electronic device of the present invention.

FIG. 9 is right side view thereof, the left side view being a mirror image;

FIG. 10 is a front view thereof.

FIG. 11 is a front-side perspective view thereof.

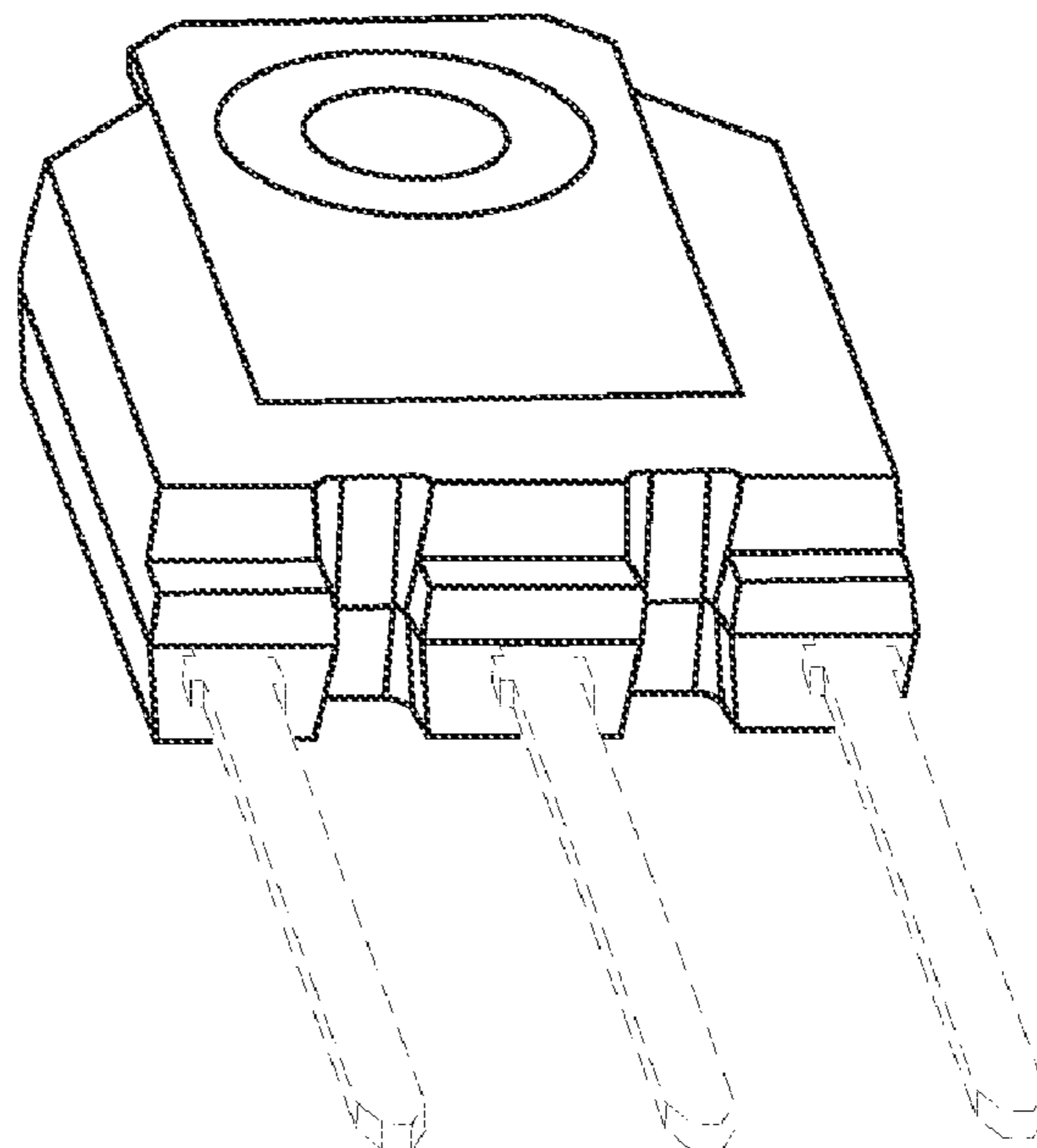
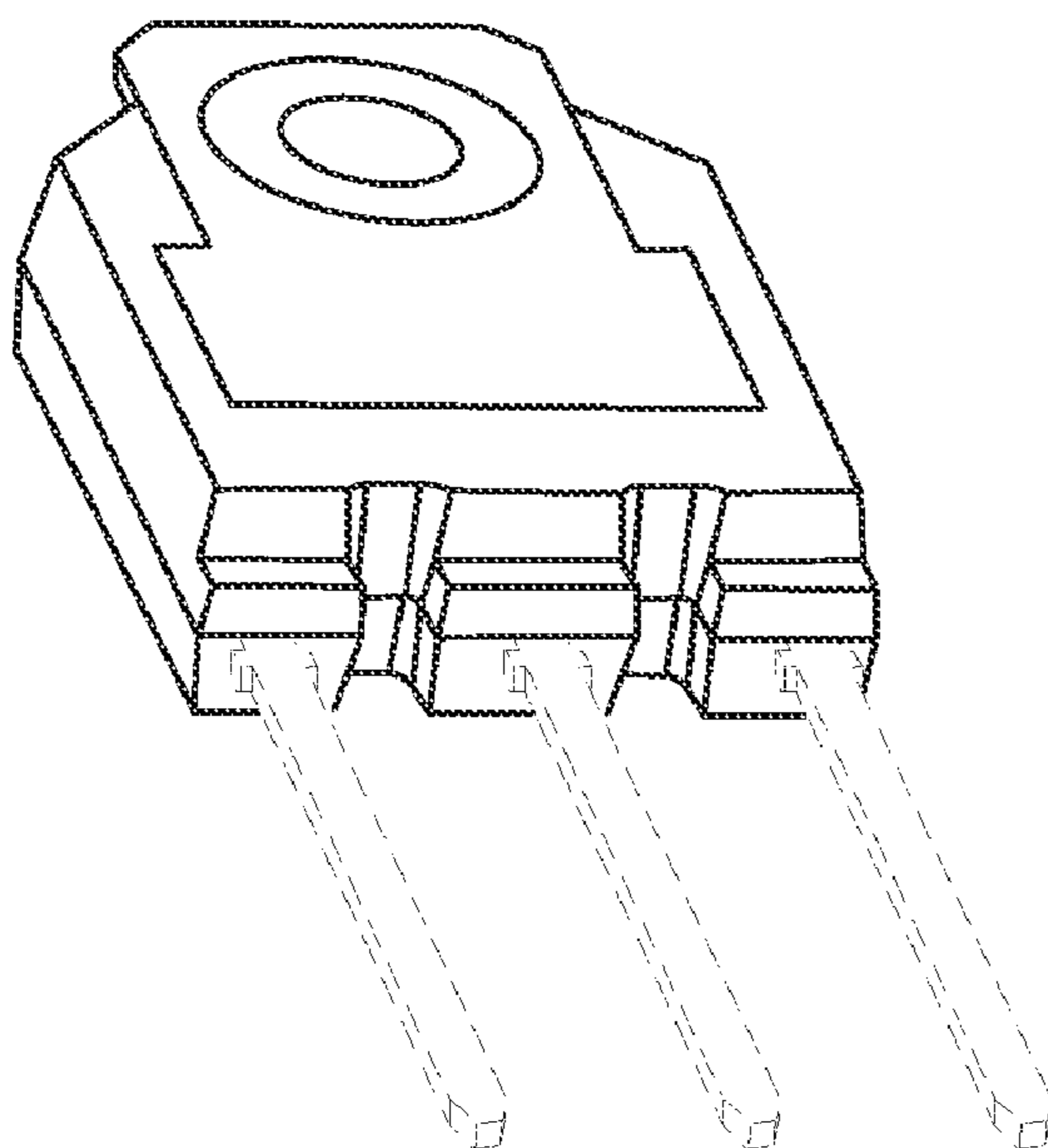
FIG. 12 is a front-end perspective view thereof.

FIG. 13 is a back-side perspective view thereof; and,

FIG. 14 is a back-side perspective view thereof.

Those portions of the package for electronic device shown in broken lines are included for illustrative purposes only and form no part of the claimed design.

**1 Claim, 6 Drawing Sheets**



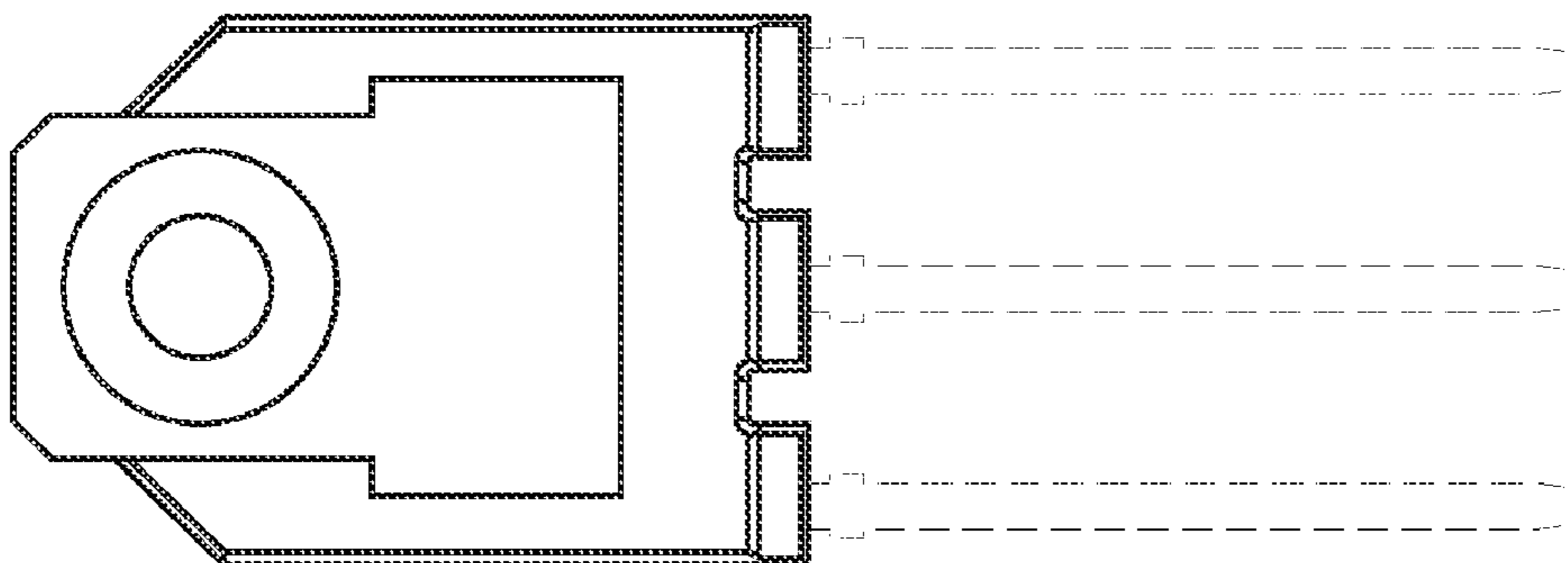


Fig. 1

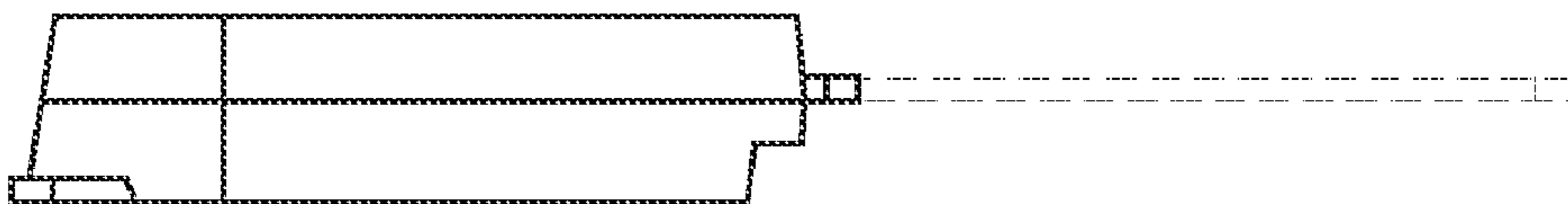


Fig. 2

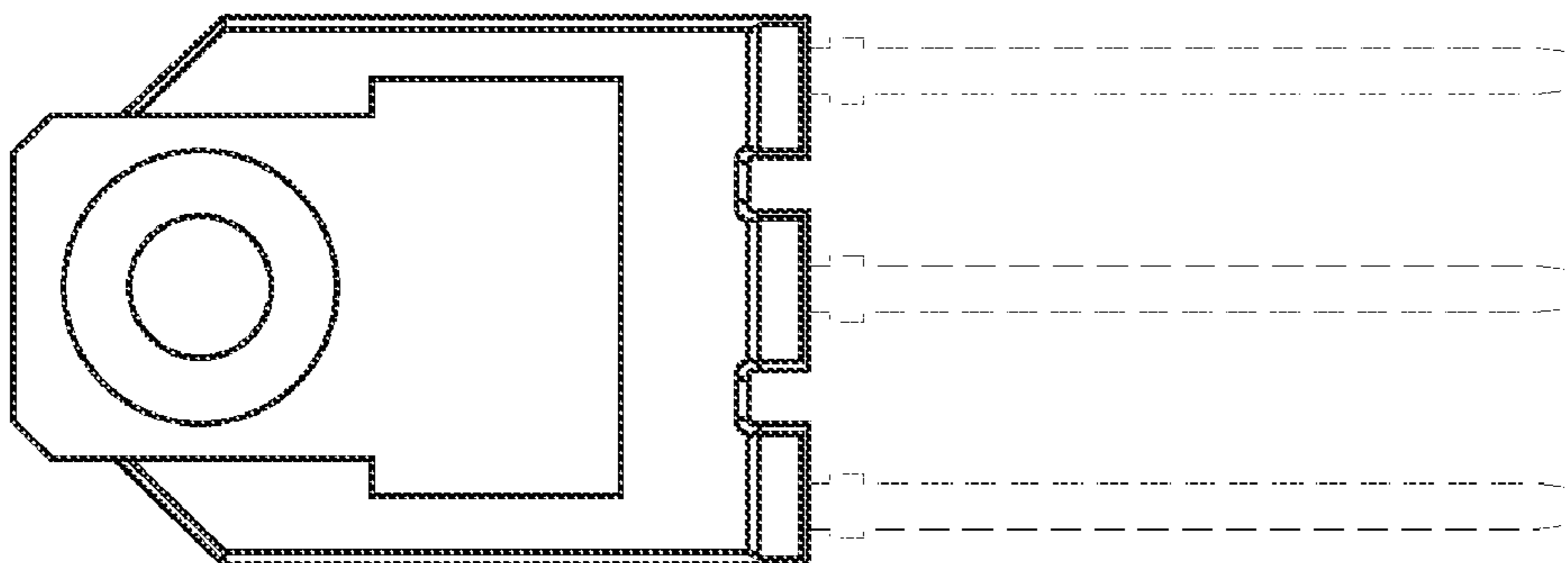
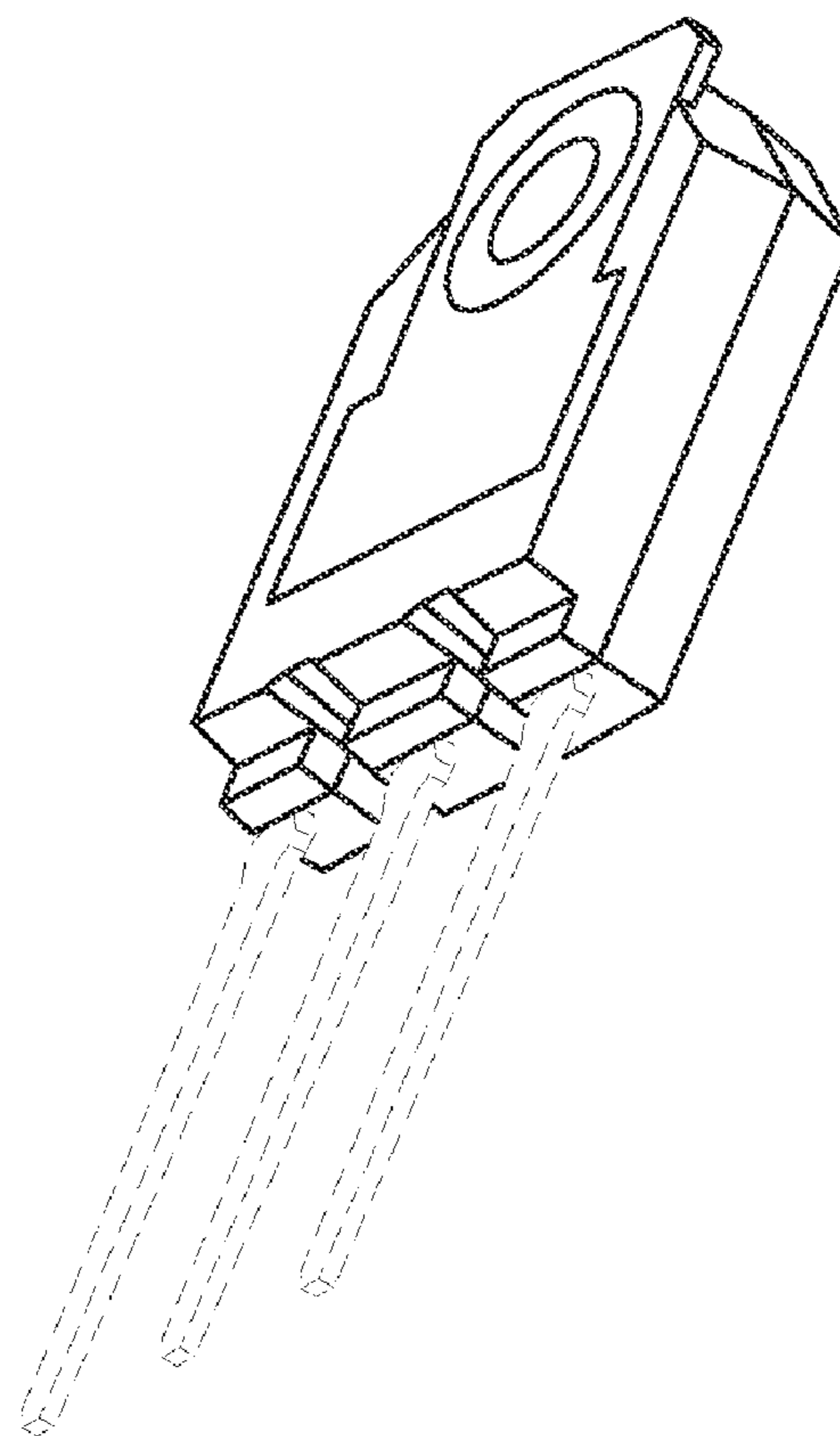
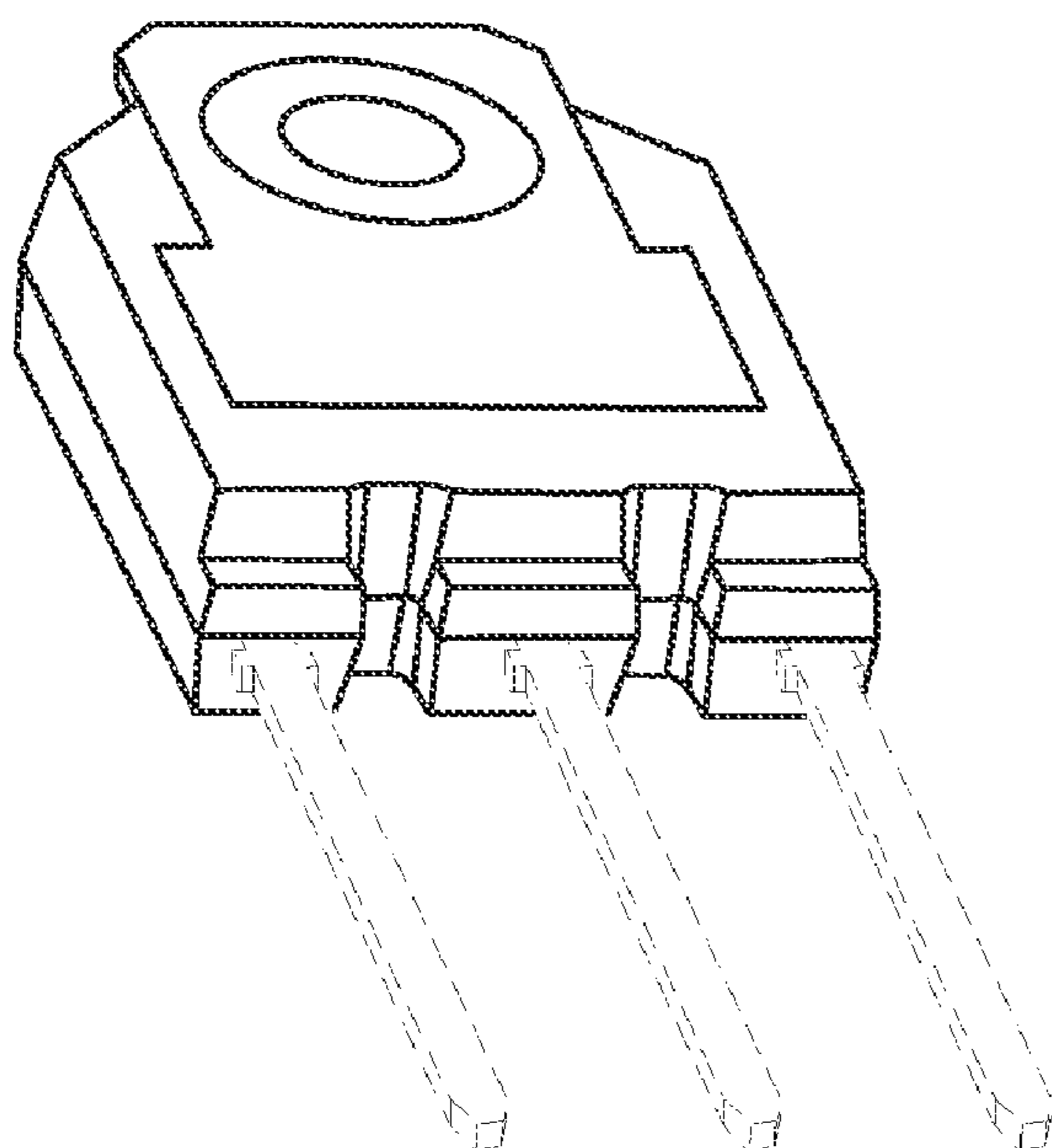


Fig. 3



**Fig. 4**



**Fig. 5**

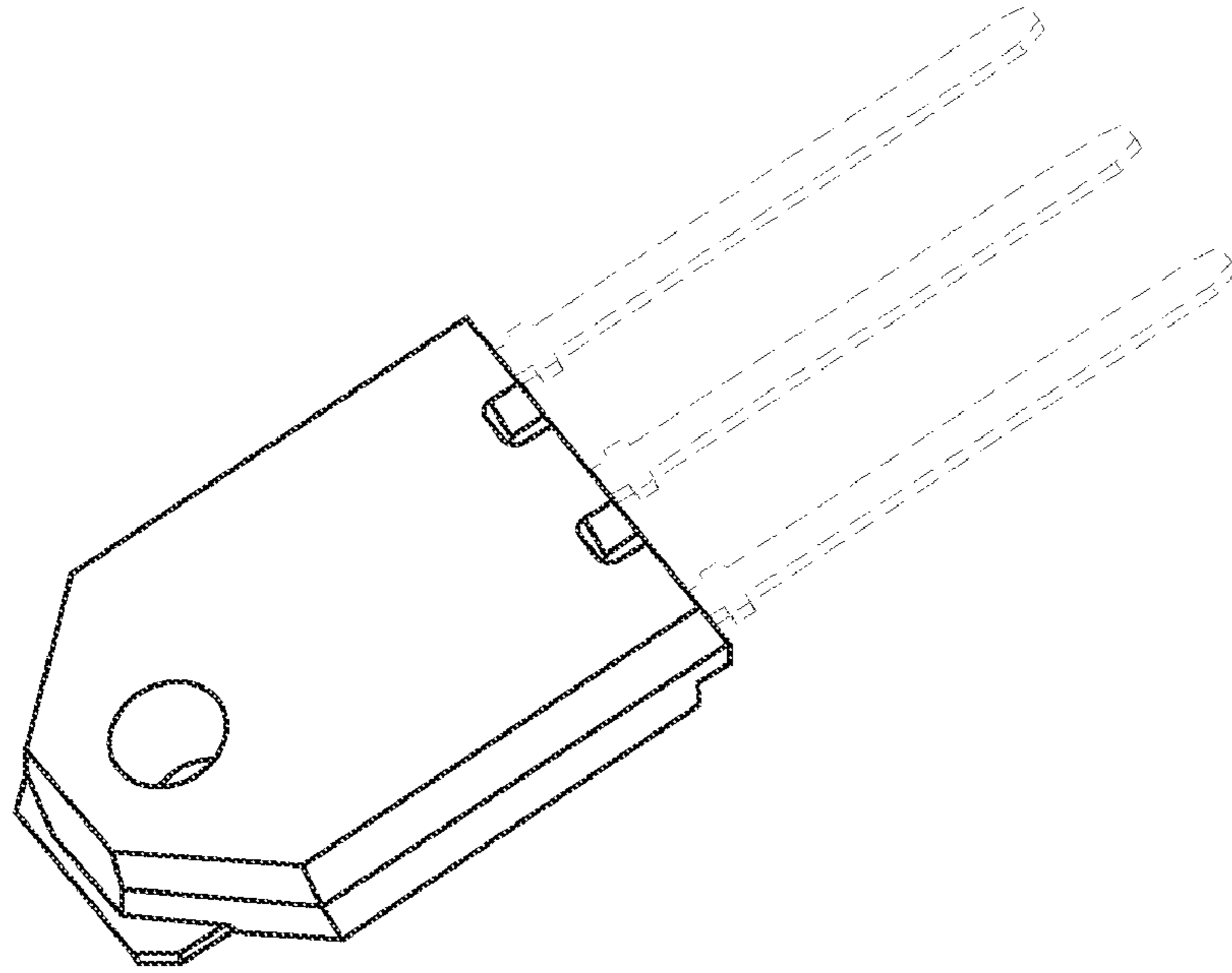


Fig. 6

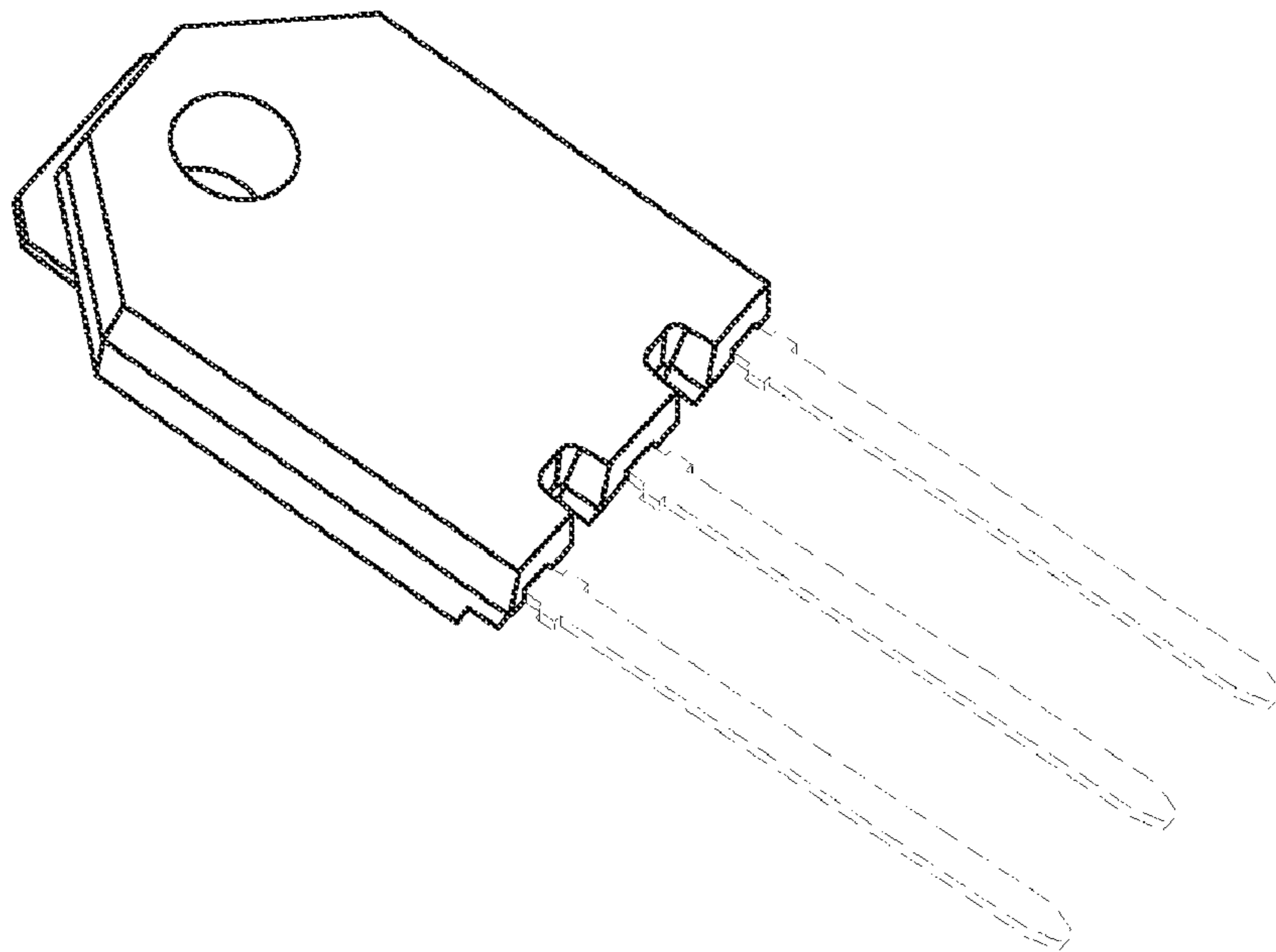


Fig. 7

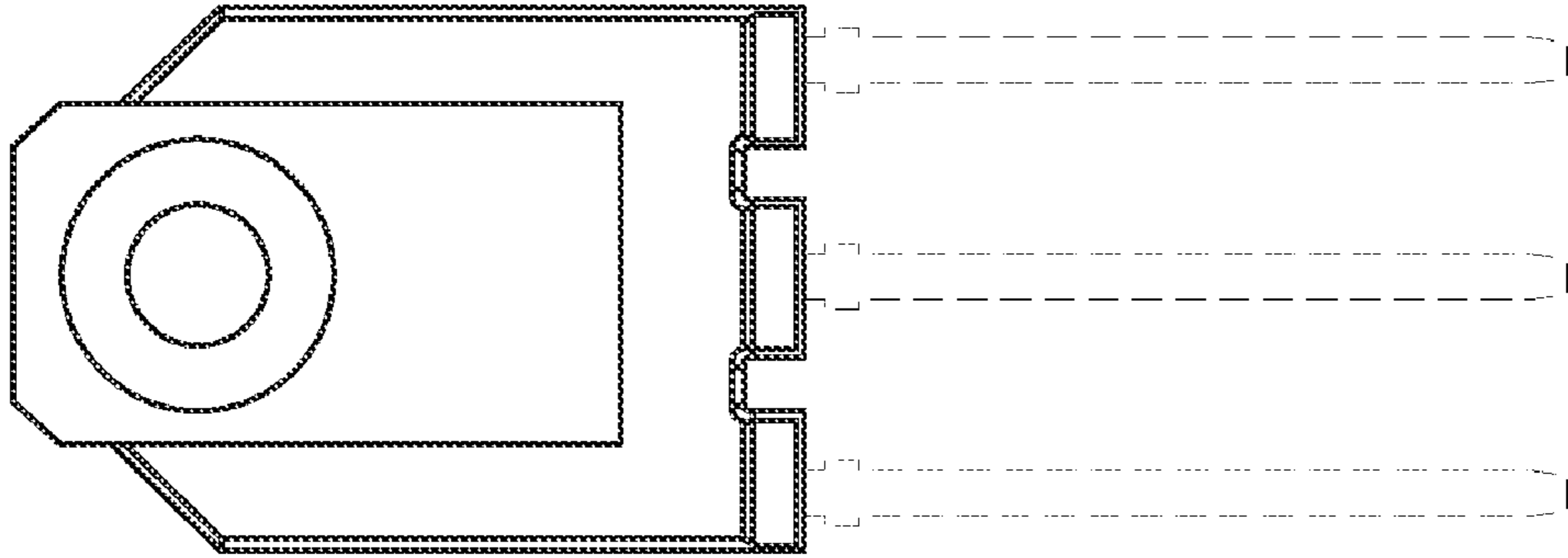


Fig. 8

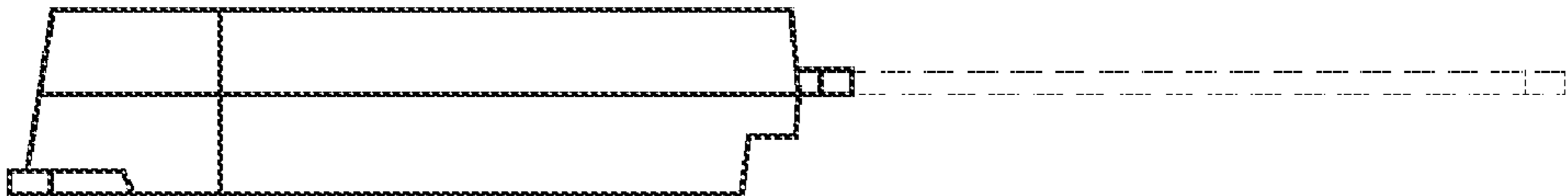


Fig. 9

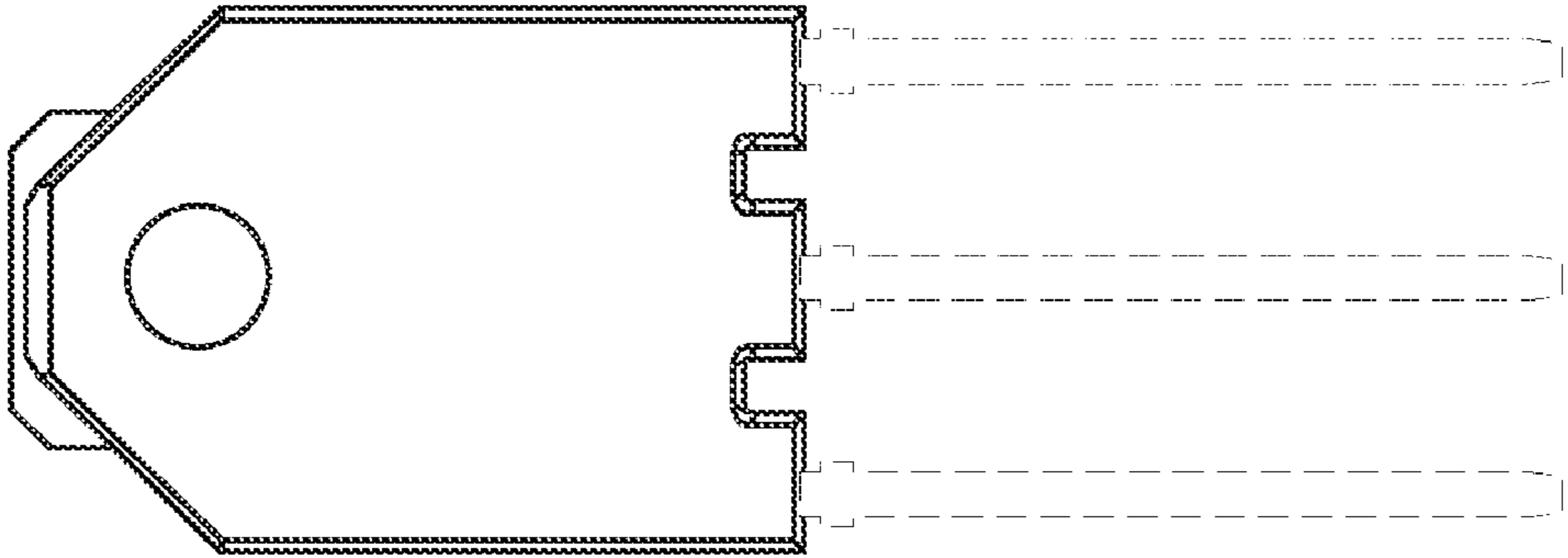
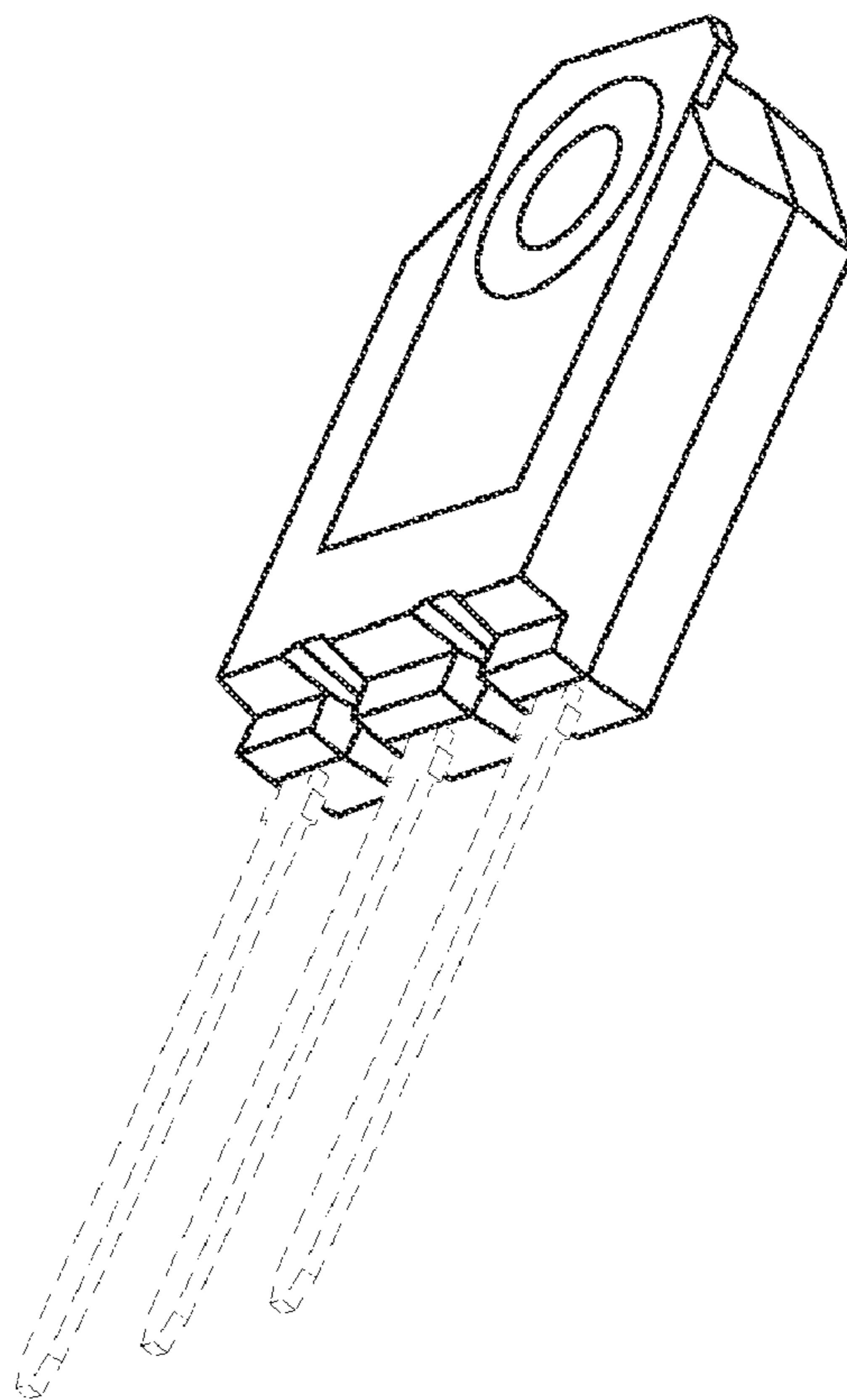
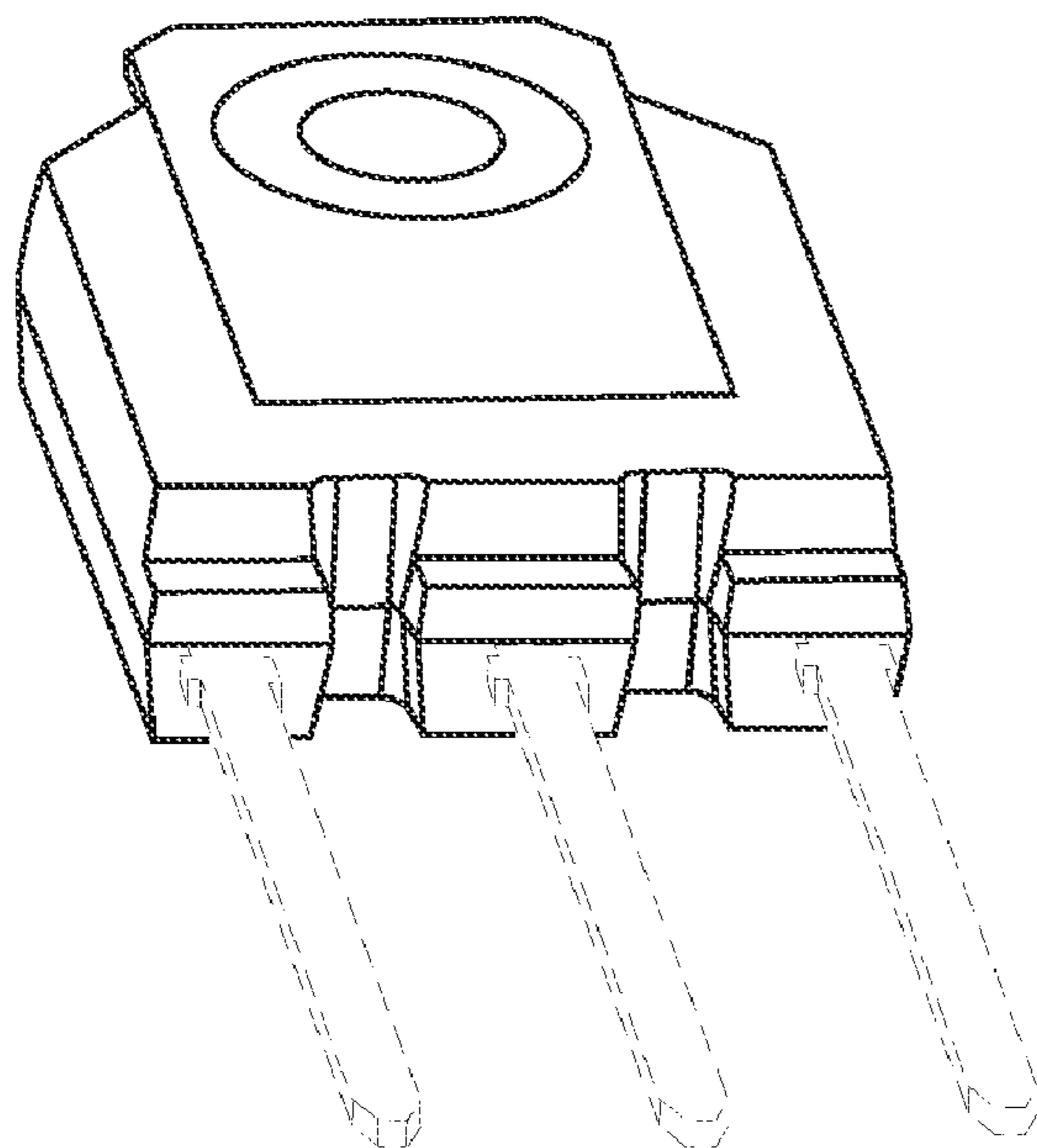


Fig. 10





**Fig. 11**



**Fig. 12**

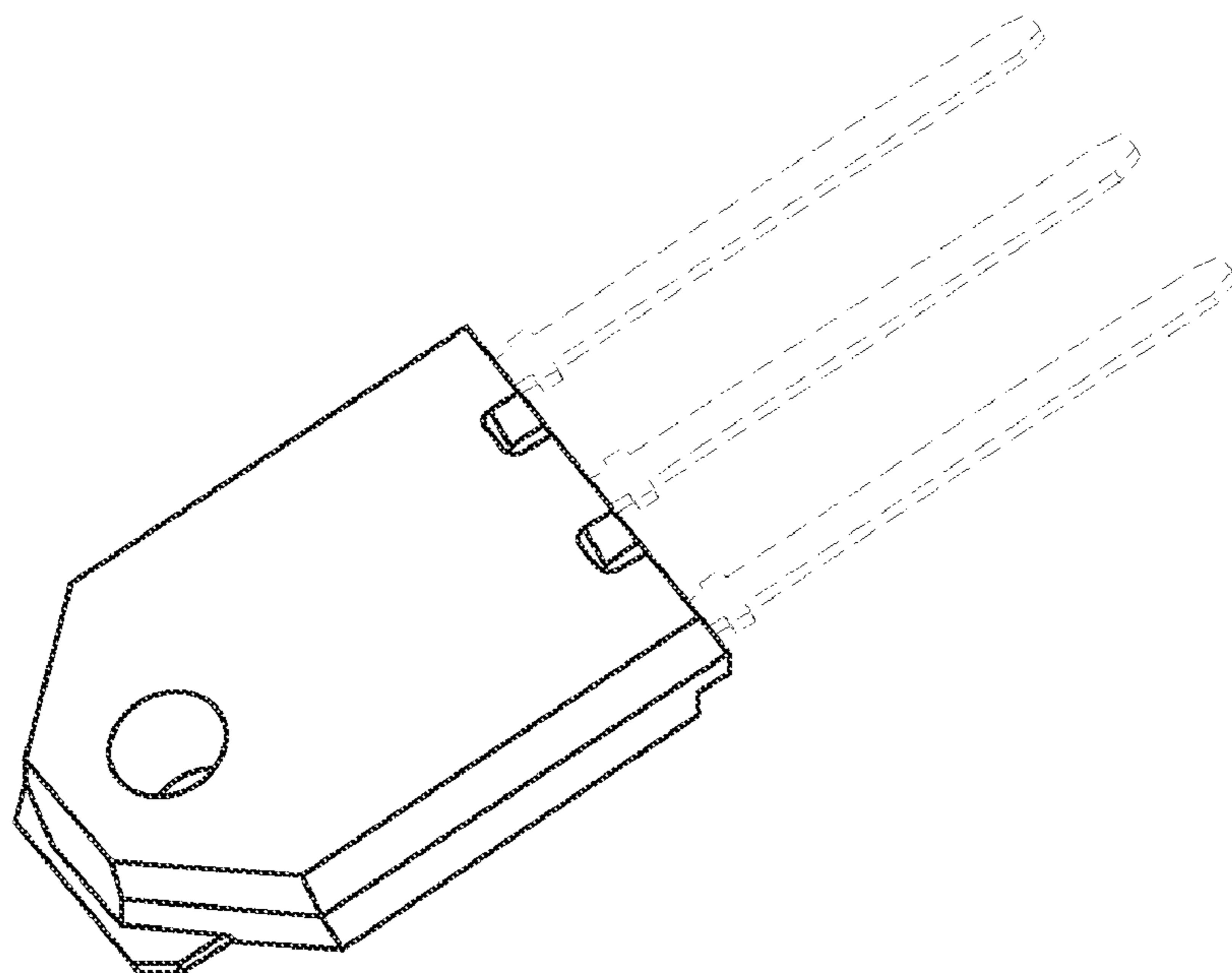


Fig. 13

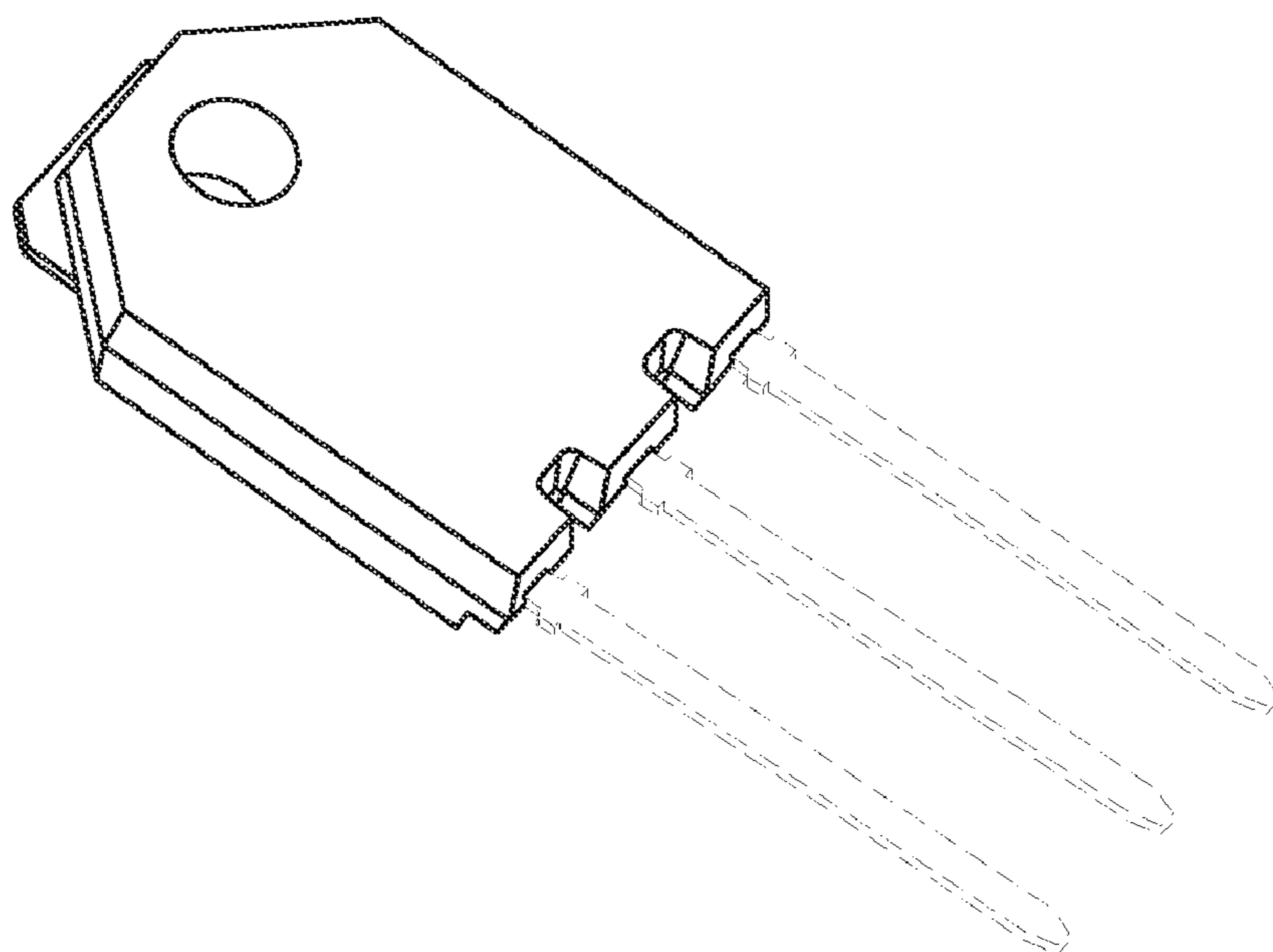


Fig. 14