



US00D609190S

(12) **United States Design Patent**
Liu

(10) **Patent No.:** **US D609,190 S**
(45) **Date of Patent:** **** Feb. 2, 2010**

(54) **USB CONNECTOR**

(76) Inventor: **Chen-Ya Liu**, No. 27, Jhenschang Street,
Pingjhen City, Taoyuan County 324
(TW)

(**) Term: **14 Years**

(21) Appl. No.: **29/311,120**

(22) Filed: **Dec. 24, 2008**

(51) **LOC (9) Cl.** **13-03**

(52) **U.S. Cl.** **D13/154**

(58) **Field of Classification Search** D13/133,
D13/146-147, 154, 184; 439/79, 108, 367,
439/607-610, 660, 676, 677

See application file for complete search history.

(56) **References Cited**

U.S. PATENT DOCUMENTS

- D471,156 S * 3/2003 Sass et al. D13/133
- D489,688 S * 5/2004 Jiang D13/147
- D510,724 S * 10/2005 Li et al. D13/147
- D521,936 S * 5/2006 Novotney et al. D13/147
- D522,463 S * 6/2006 Novotney et al. D13/154

D553,567 S * 10/2007 Kawanobe D13/133

* cited by examiner

Primary Examiner—Daniel D Bui

(74) *Attorney, Agent, or Firm*—Rosenberg, Klein & Lee

(57) **CLAIM**

The ornamental design for a USB connector, as show and described.

DESCRIPTION

FIG. 1 is a left perspective view of a USB connector showing my new design;

FIG. 2 is a front elevational view thereof;

FIG. 3 is a rear elevational view thereof;

FIG. 4 is a left side elevational view thereof, the right side being a mirrior image;

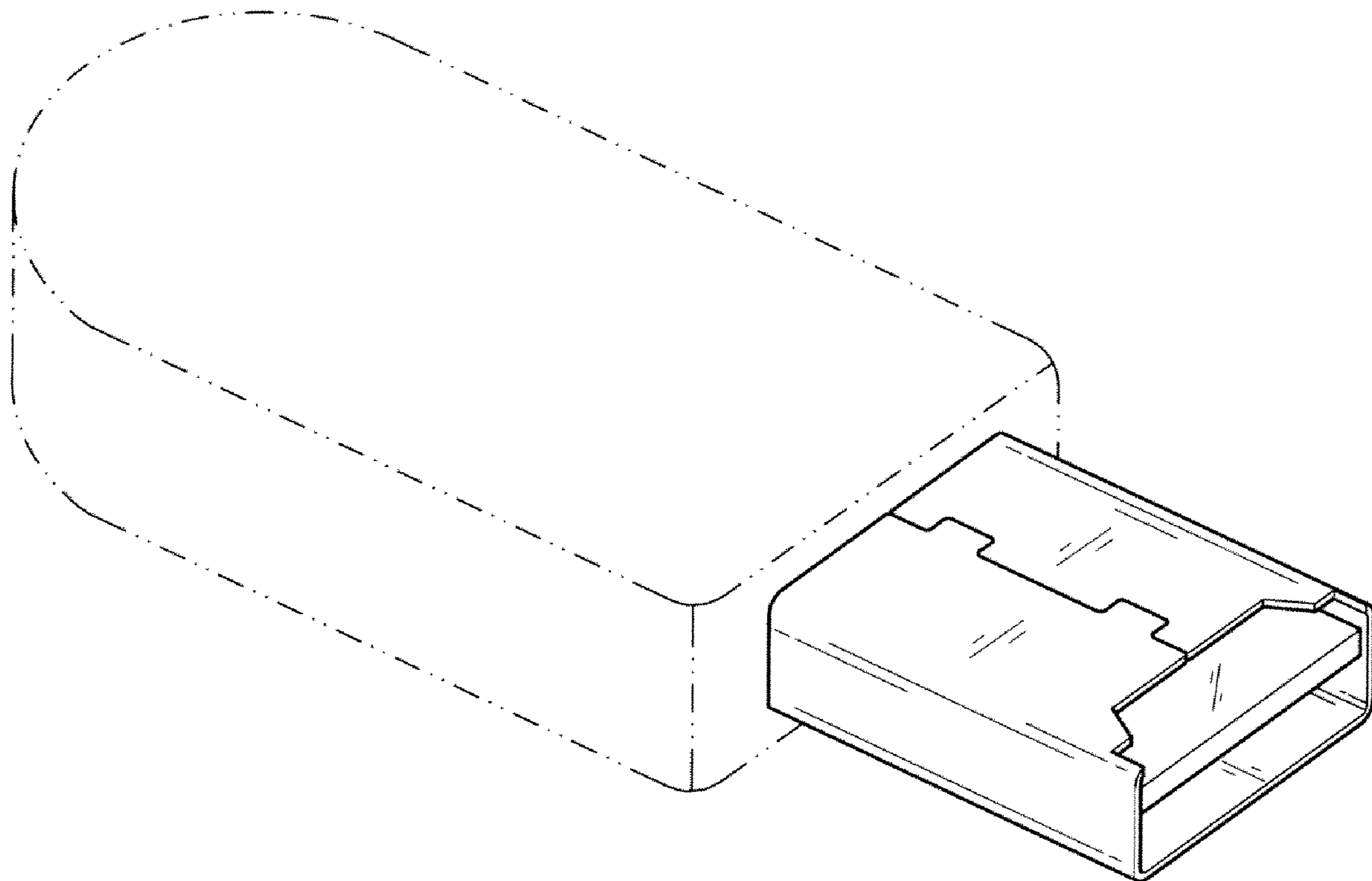
FIG. 5 is a top plan view thereof; and,

FIG. 6 is a bottom plan view thereof.

The broken lines are for illustrative purposes only and form no part of the claimed design.

The dash-dot-dot broken line and the even-broken line portions of the figure drawings are included to show unclaimed subject matter only and form no part of the claimed design.

1 Claim, 5 Drawing Sheets



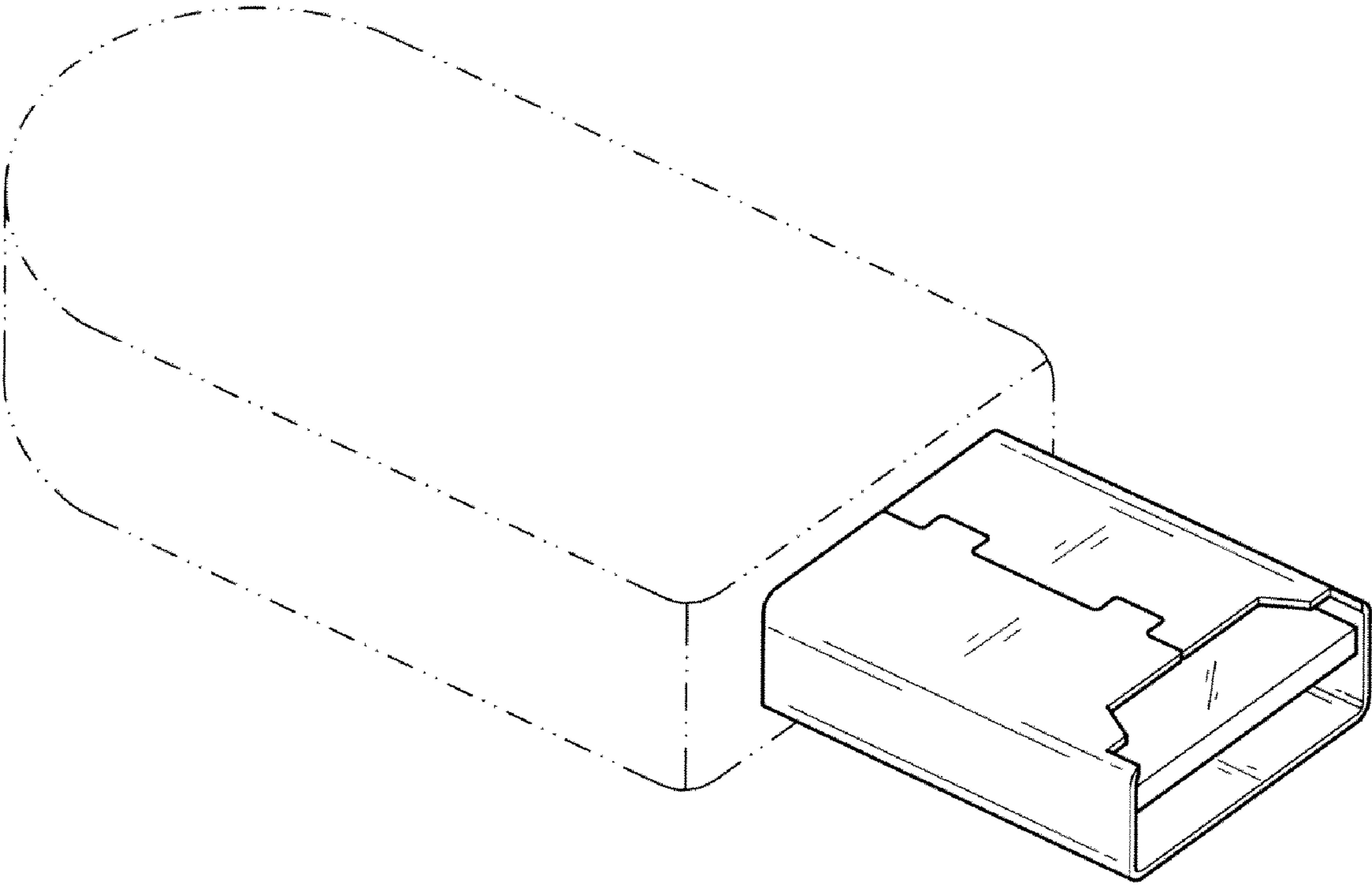


FIG.1

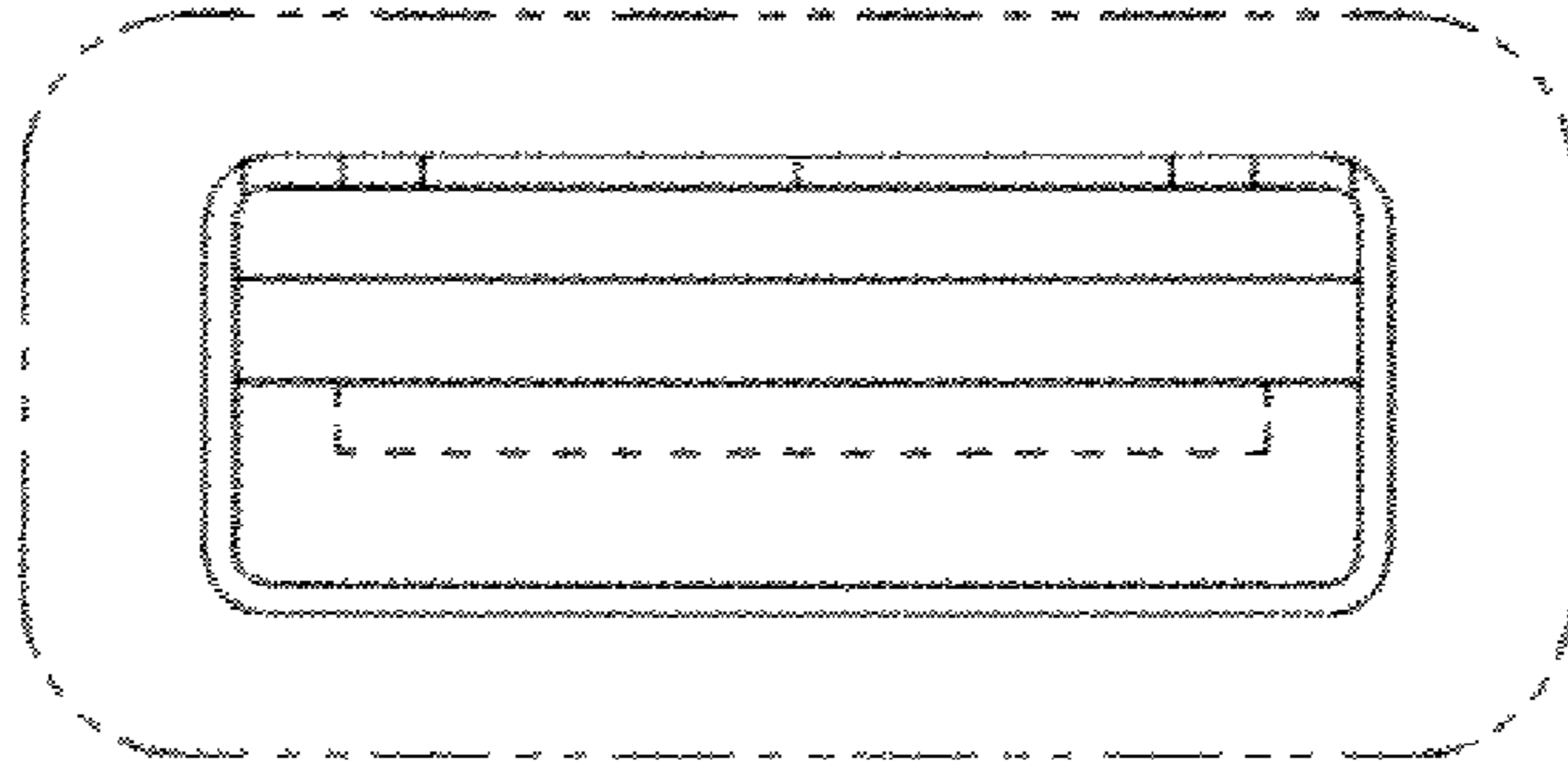


FIG. 2

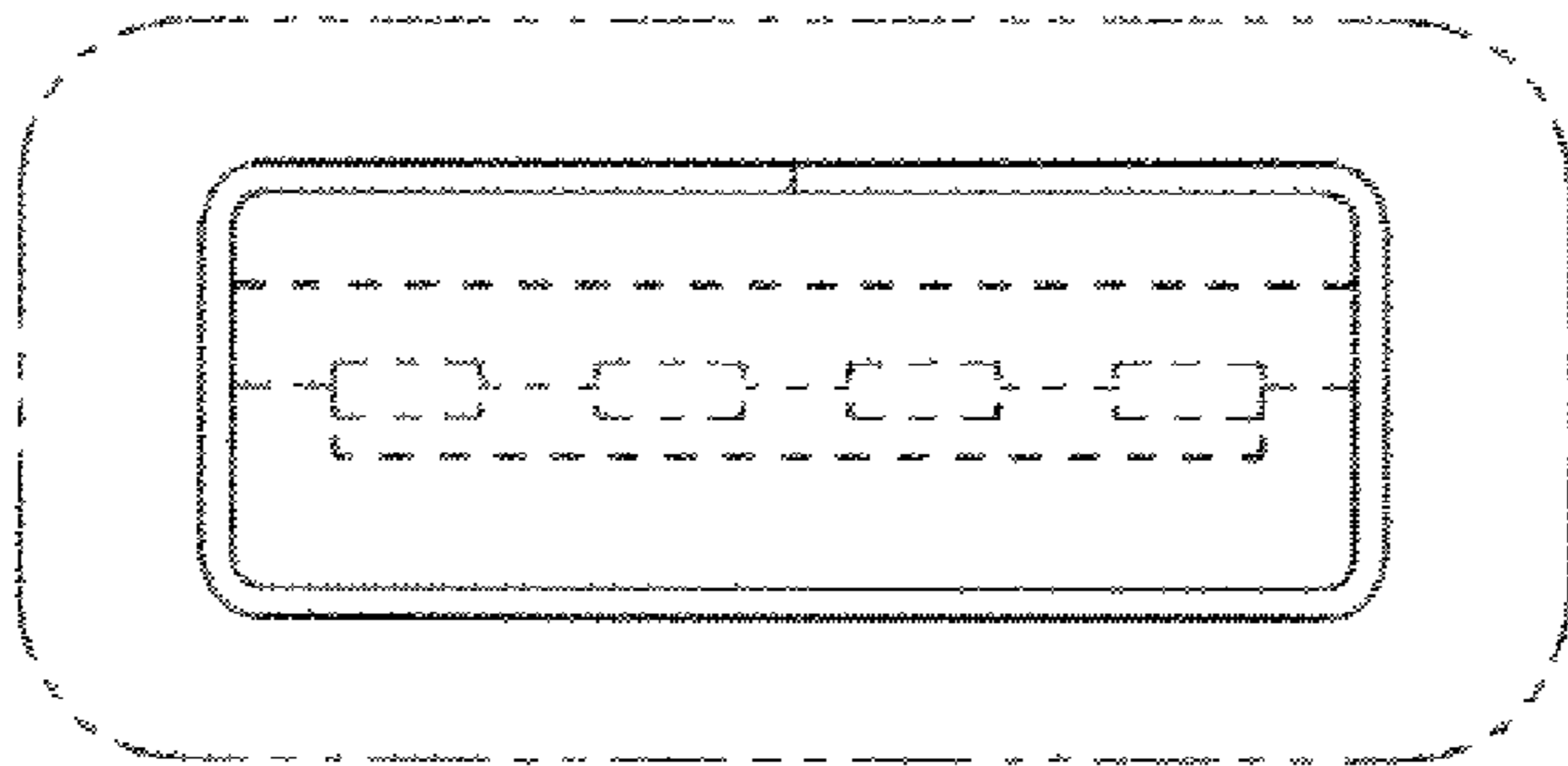


FIG. 3

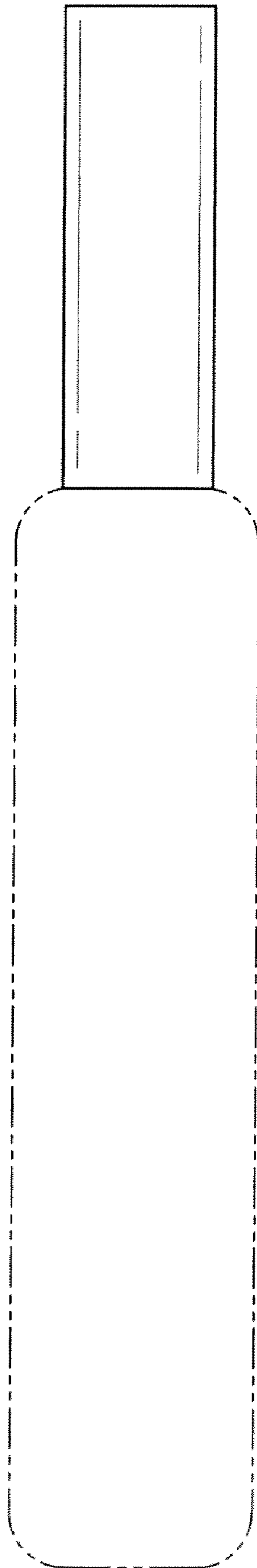


FIG.4

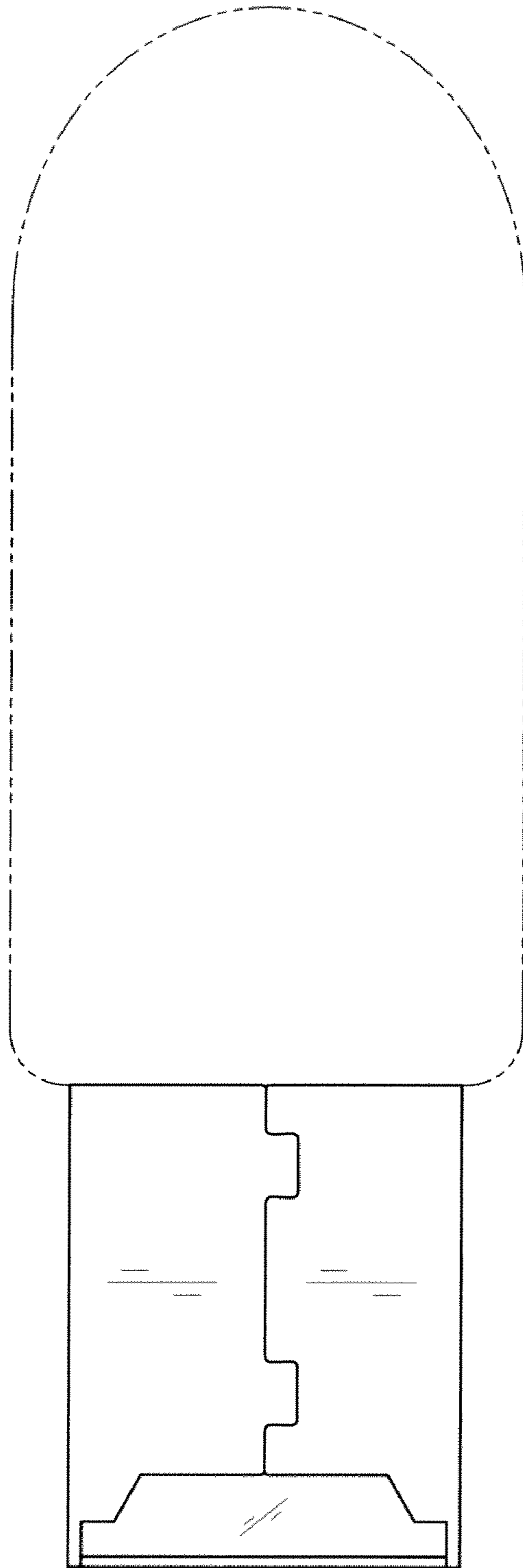


FIG.5

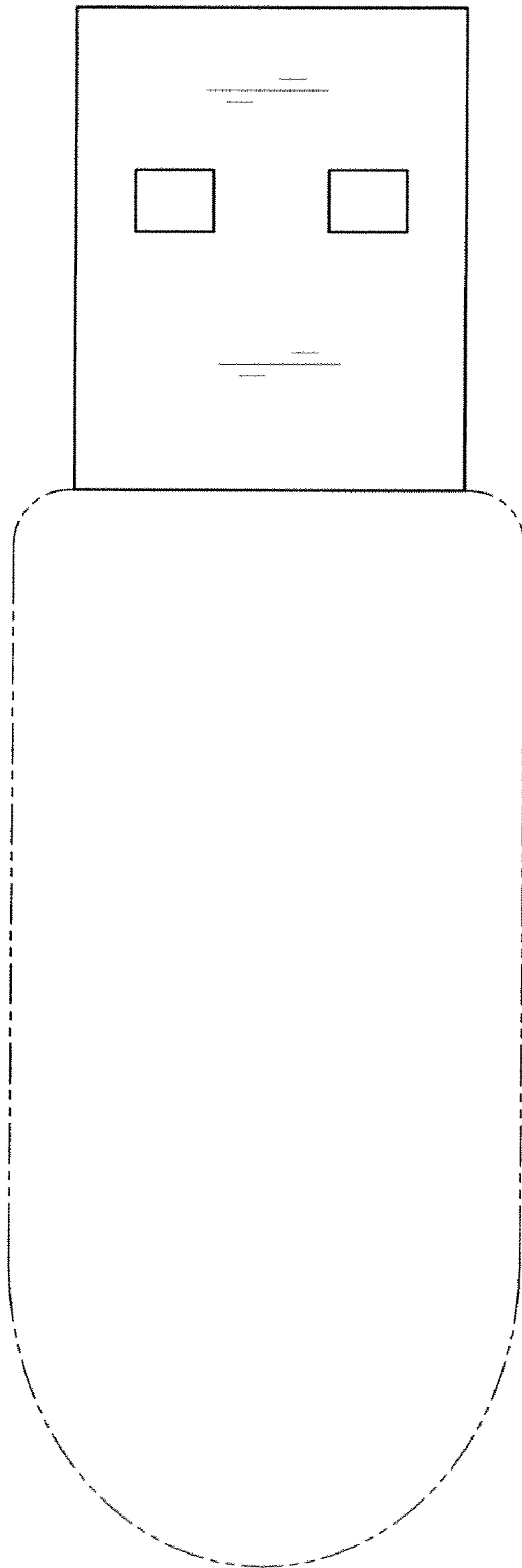


FIG.6