



US00D609189S

(12) **United States Design Patent**
Fahrendorff et al.

(10) **Patent No.:** **US D609,189 S**
(45) **Date of Patent:** **** Feb. 2, 2010**

(54) **PLUG ASSEMBLY**

(75) Inventors: **Anders Fahrendorff**, Ottawa (CA);
Todd Andrew Wood, Guelph (CA); **Ian James Murchison**, Ottawa (CA); **Dustin Jonathan Smith**, Kitchener (CA)

(73) Assignee: **Research In Motion Limited**, Waterloo (CA)

(**) Term: **14 Years**

(21) Appl. No.: **29/339,344**

(22) Filed: **Jun. 29, 2009**

(51) **LOC (9) Cl.** **13-03**

(52) **U.S. Cl.** **D13/149**

(58) **Field of Classification Search** D13/107,
D13/108, 110, 123, 133, 134, 146, 147, 153,
D13/154, 160, 184, 199; 439/11, 13, 172,
439/156, 344, 350, 357, 502, 638, 676
See application file for complete search history.

(56) **References Cited**

U.S. PATENT DOCUMENTS

D325,380 S * 4/1992 Rao et al. D13/160
D347,617 S * 6/1994 Tattari D13/107
D398,581 S * 9/1998 Chang D13/138.1
D411,166 S * 6/1999 Uemura et al. D13/107
D544,833 S * 6/2007 Sade et al. D13/108

D591,233 S * 4/2009 Kagami et al. D13/108
D596,569 S * 7/2009 Lin D13/133
D600,642 S * 9/2009 Biery et al. D13/134
2007/0032109 A1 * 2/2007 Hung 439/172

* cited by examiner

Primary Examiner—Daniel D Bui
Assistant Examiner—Thomas J Johannes

(57) **CLAIM**

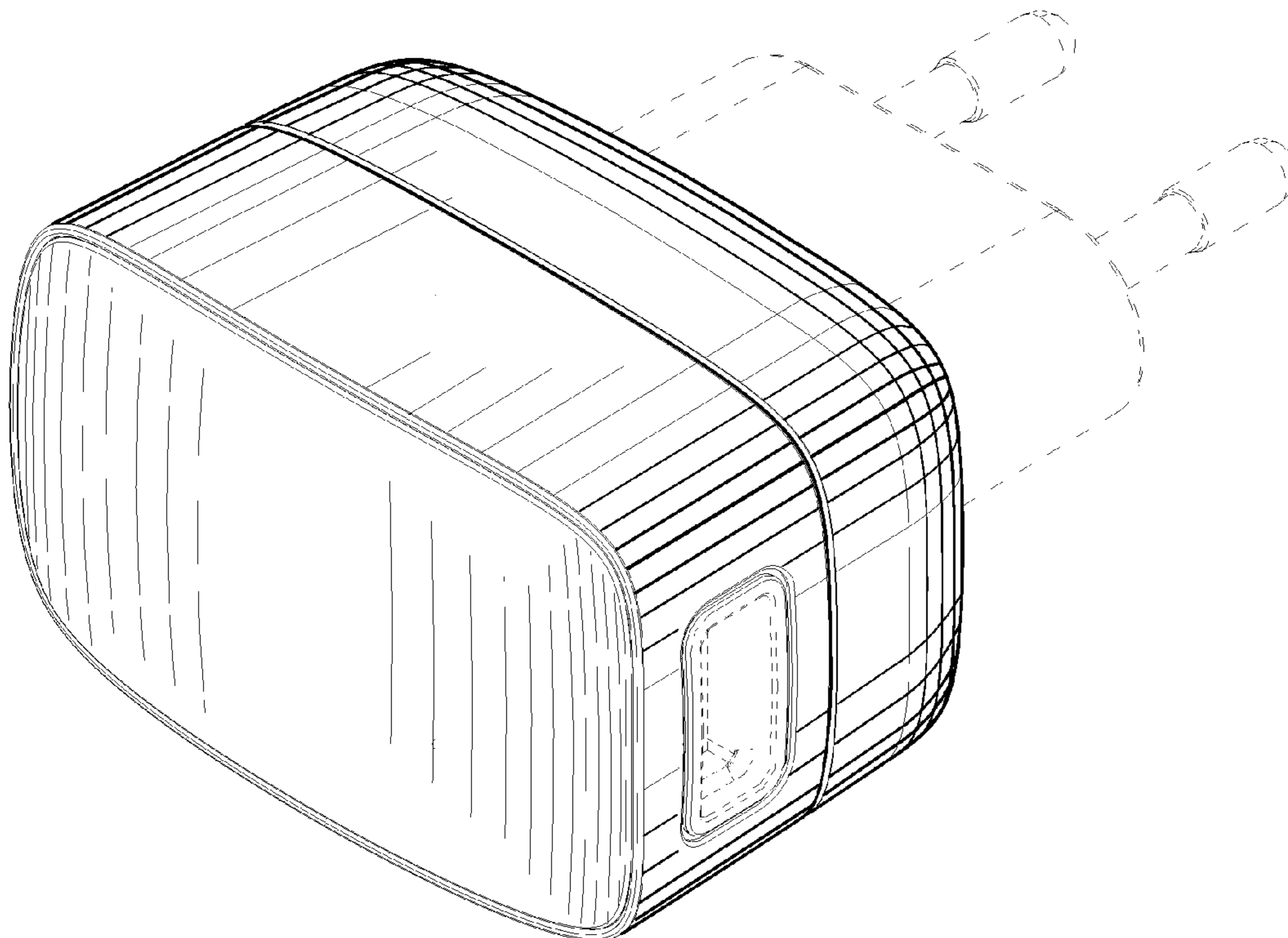
We claim the ornamental design for a plug assembly, as shown and described.

DESCRIPTION

FIG. 1 is a front perspective view of a plug assembly;
FIG. 2 is a back perspective view of the plug assembly;
FIG. 3 is a top plan view thereof;
FIG. 4 is a bottom plan view thereof;
FIG. 5 is a left elevational view thereof;
FIG. 6 is a right elevational view thereof;
FIG. 7 is a back plan view thereof; and,
FIG. 8 is a front plan view thereof.

The broken lines shown in the drawings of the plug assembly are for the purpose of illustrating portions of the article and form no part of the claimed design.

1 Claim, 7 Drawing Sheets



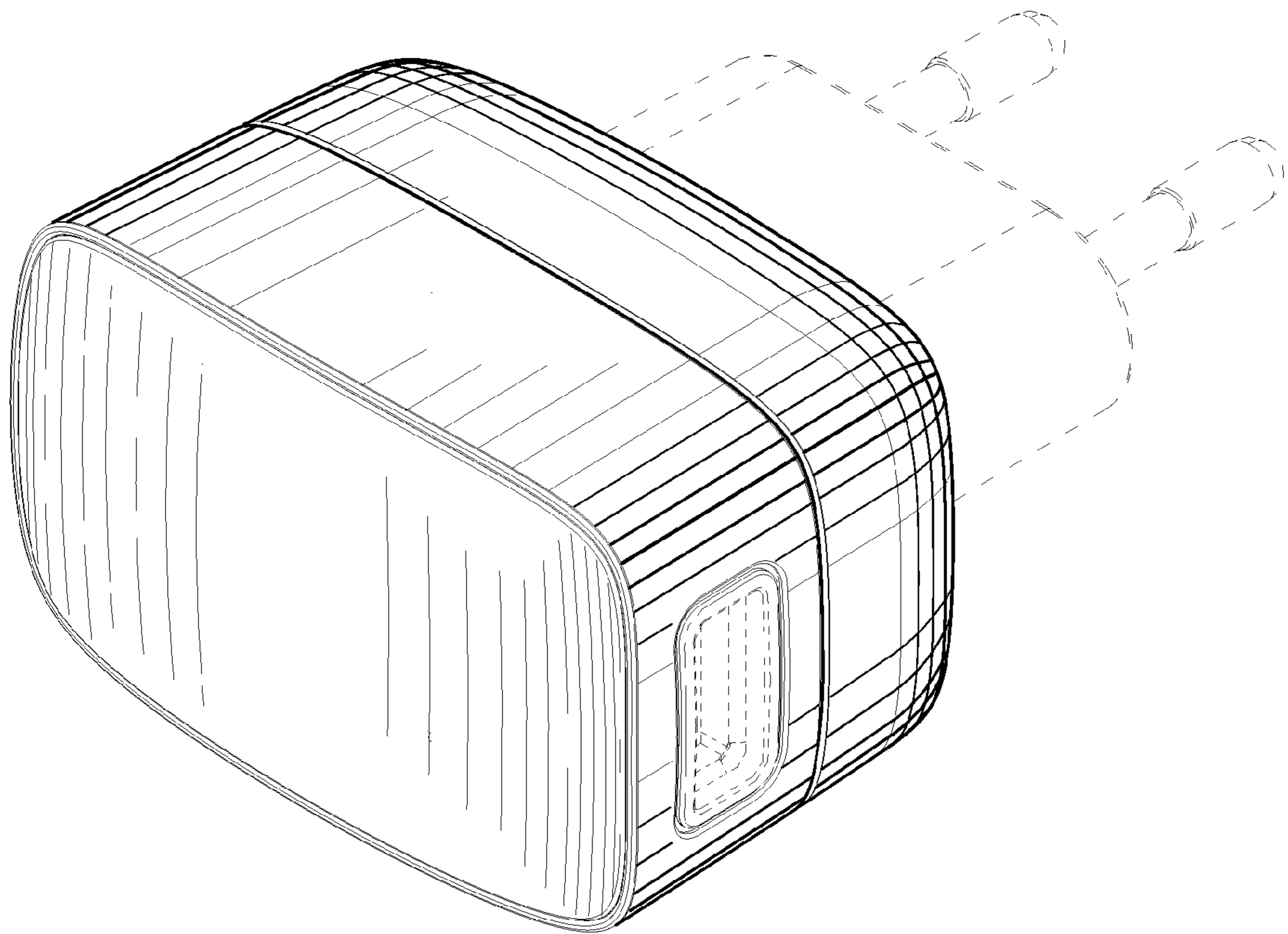


FIG.1

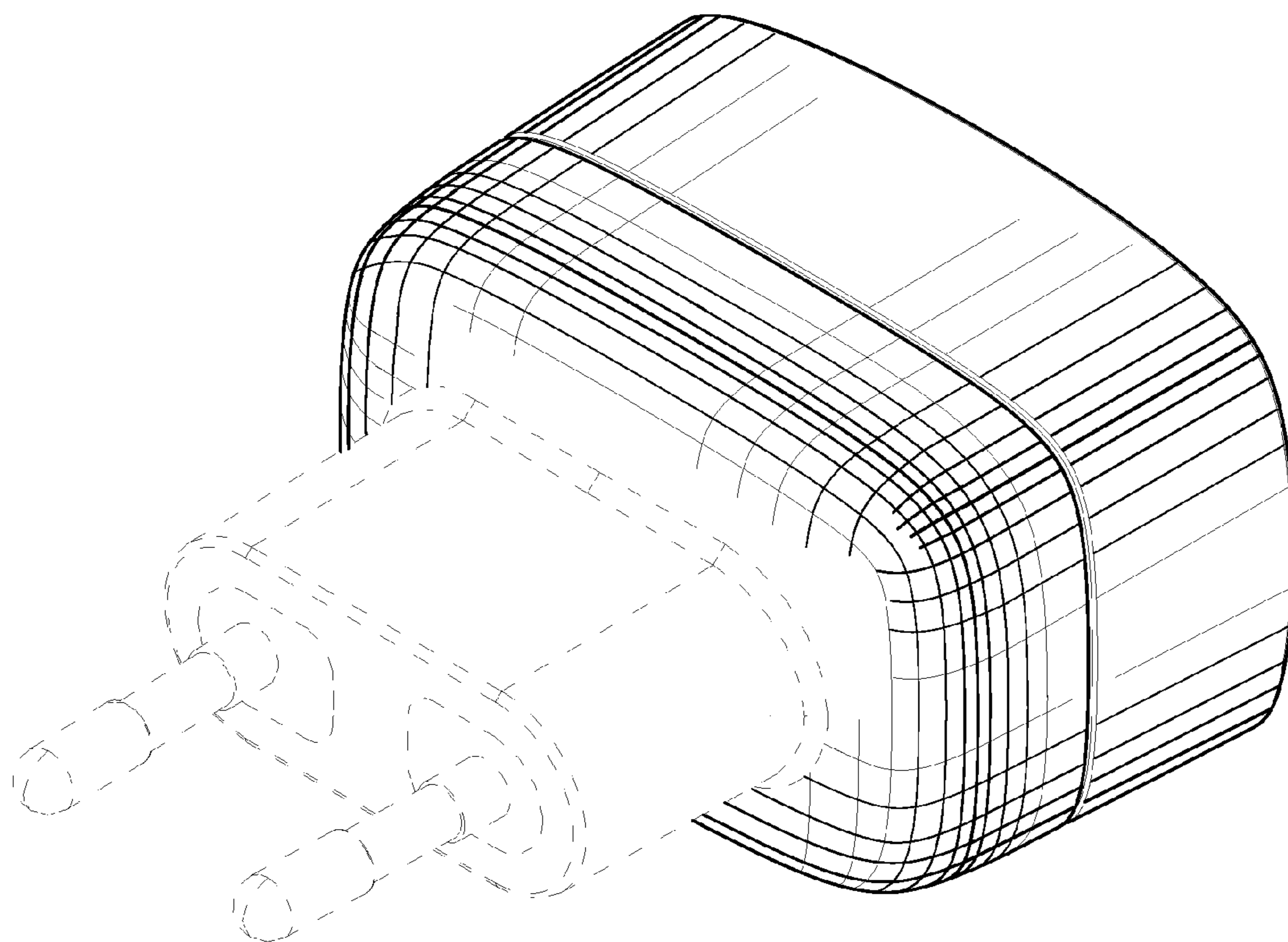


FIG.2

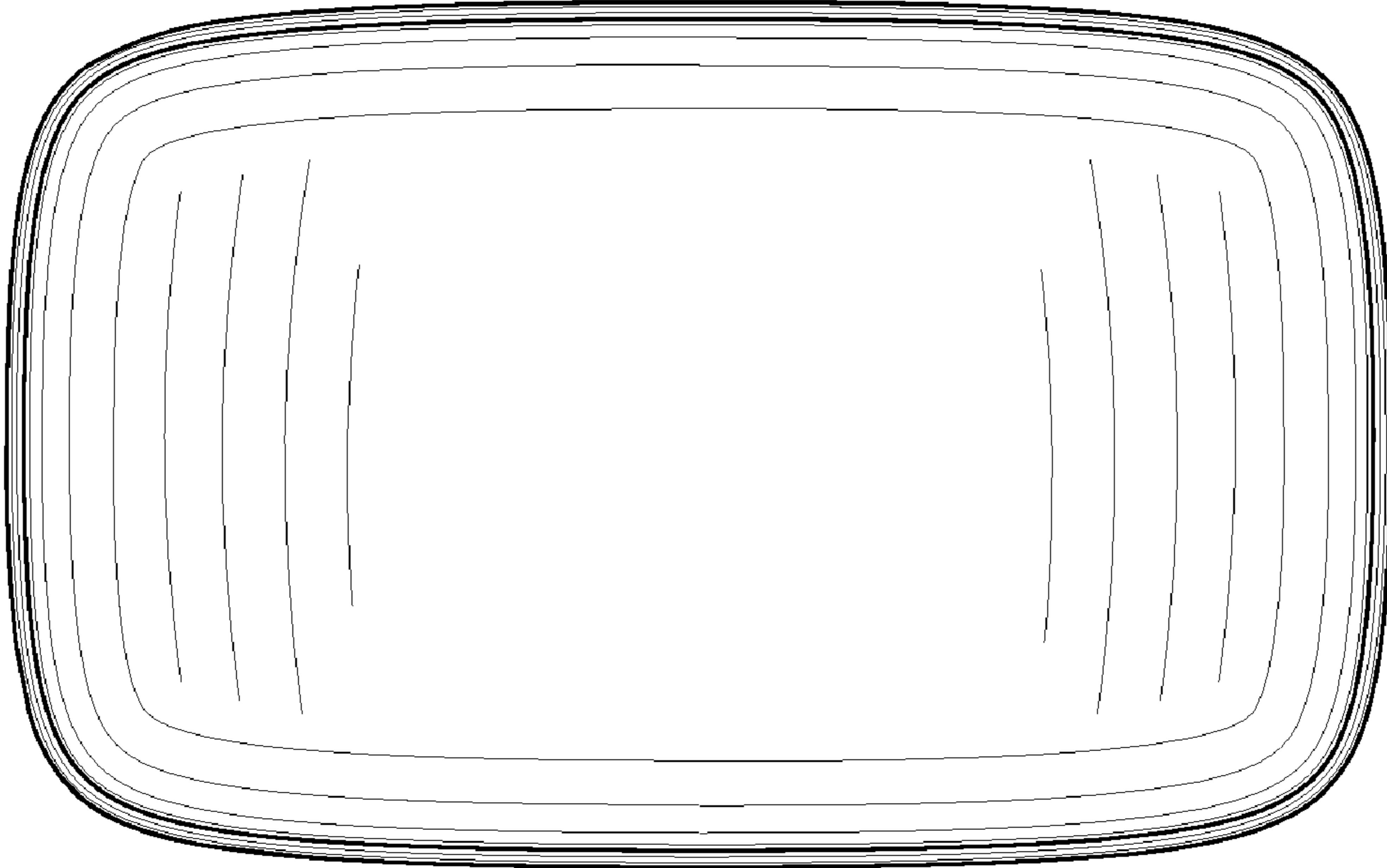


FIG.3

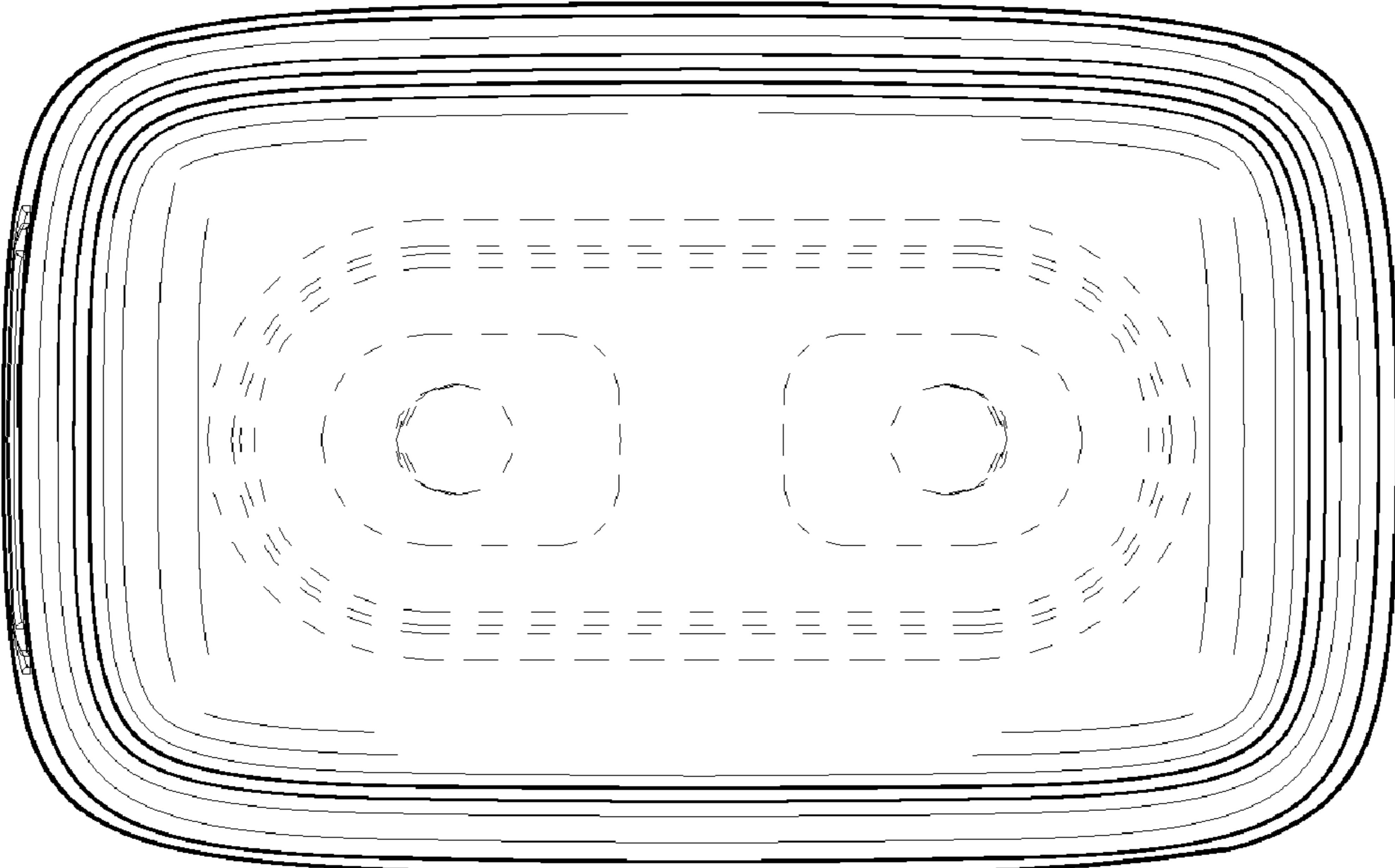


FIG.4

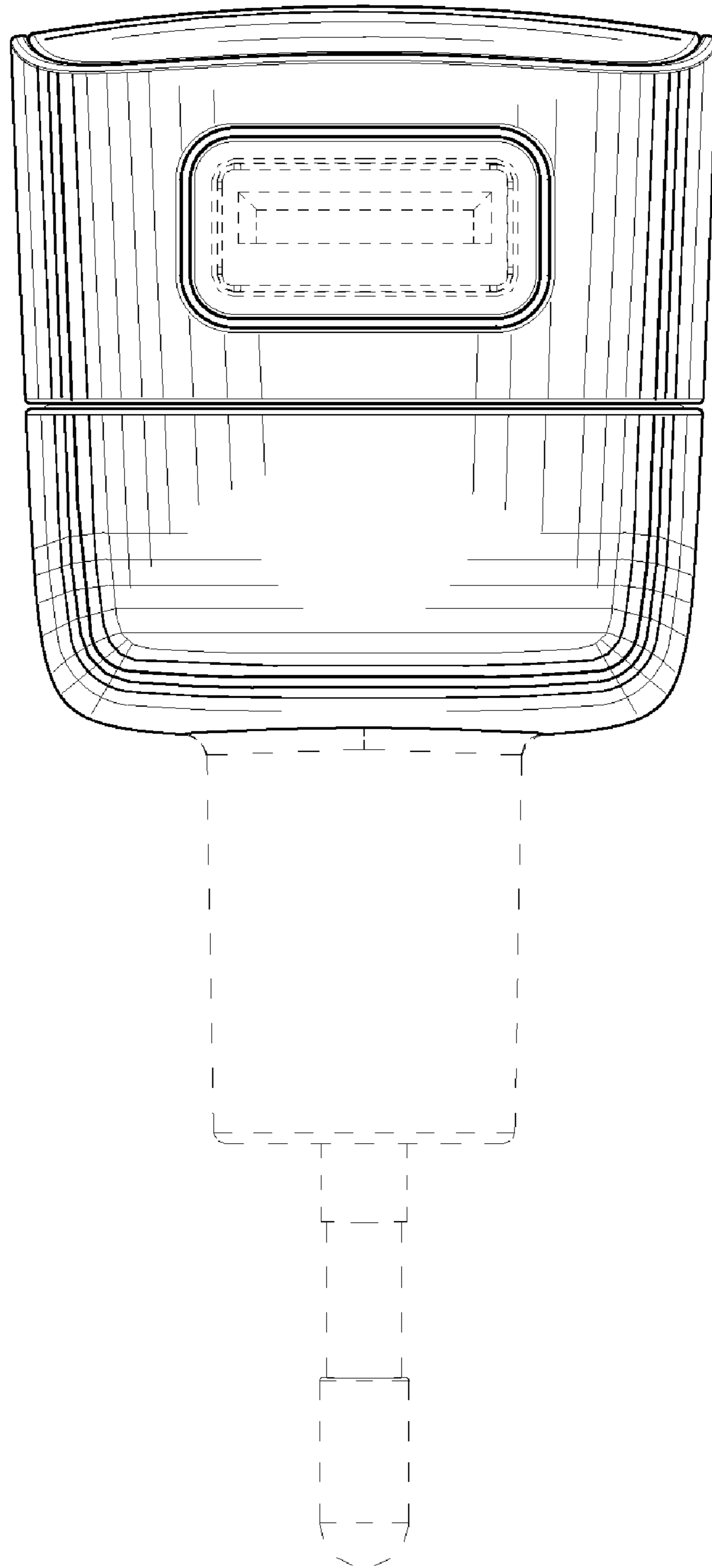


FIG.5

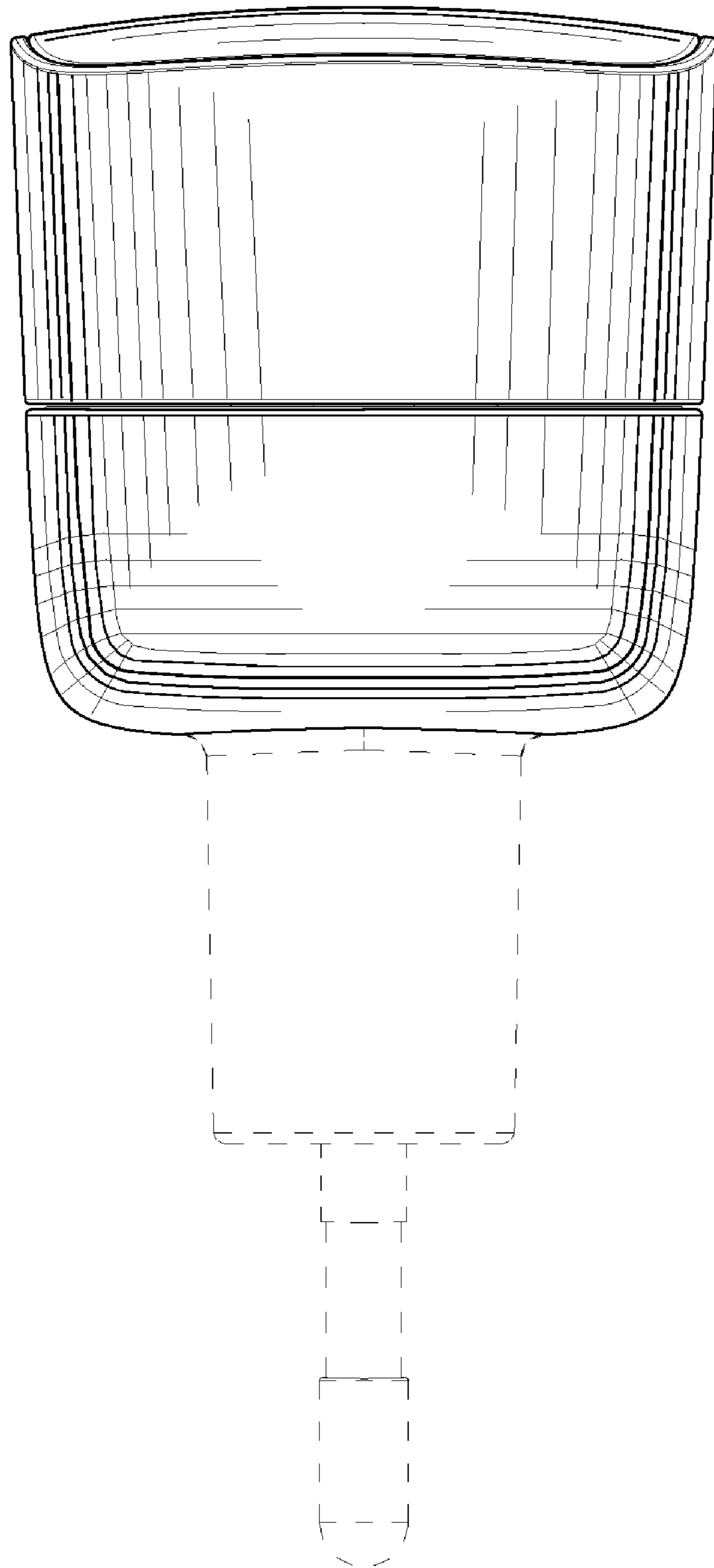


FIG.6

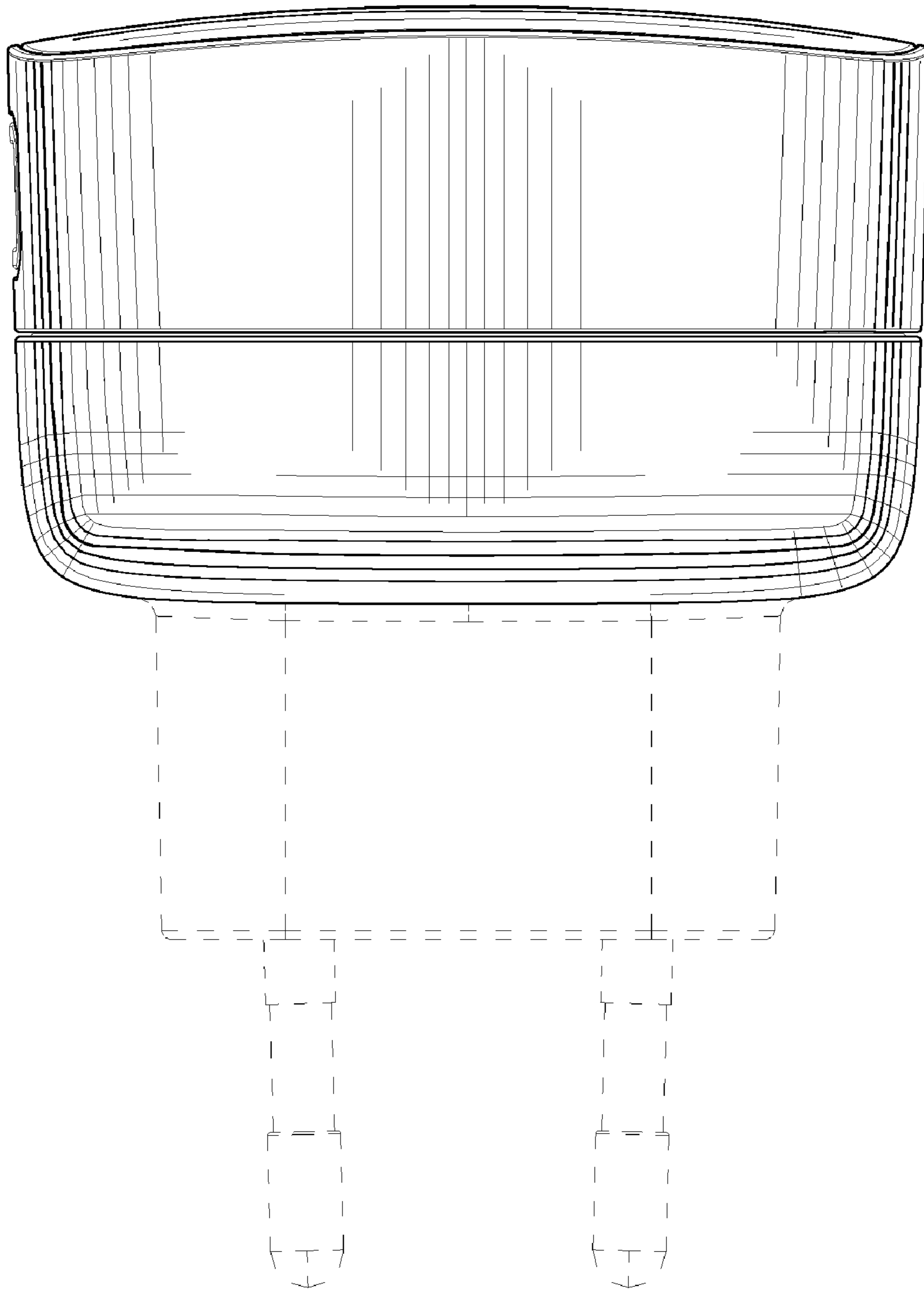


FIG.7

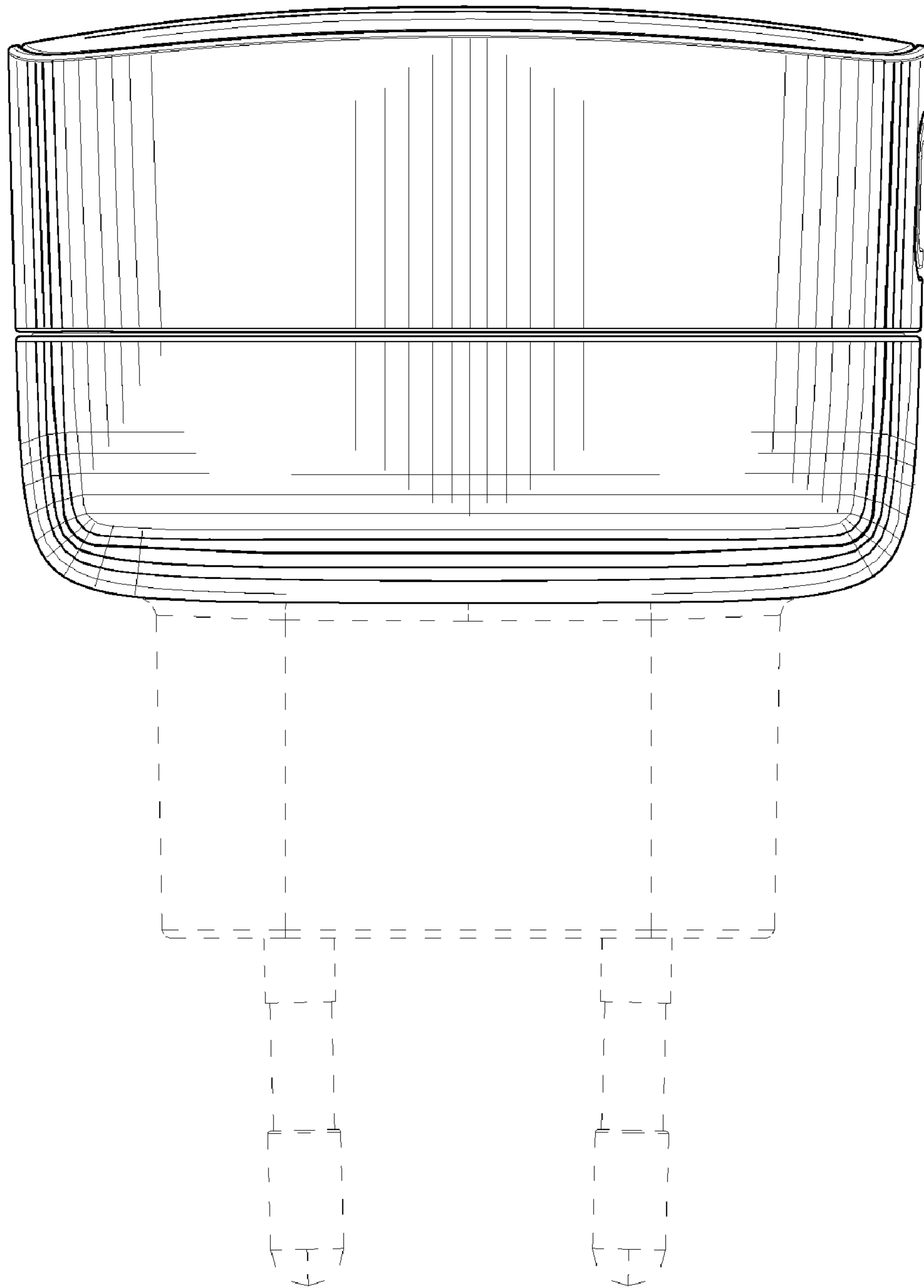


FIG.8