



US00D609188S

(12) **United States Design Patent**
Lee et al.

(10) **Patent No.:** **US D609,188 S**
(45) **Date of Patent:** **** Feb. 2, 2010**

(54) **CABLE CONNECTOR**

(75) Inventors: **Noel Lee**, Las Vegas, NV (US); **Jacky Hsiung**, San Jose, CA (US)

(73) Assignee: **Monster Cable Products, Inc.**,
Brisbane, CA (US)

(**) Term: **14 Years**

(21) Appl. No.: **29/323,548**

(22) Filed: **Aug. 27, 2008**

(51) **LOC (9) Cl.** **13-03**

(52) **U.S. Cl.** **D13/147**

(58) **Field of Classification Search** D13/133,
D13/146-147, 153, 154, 184; 439/352, 359,
439/362, 607-610

See application file for complete search history.

(56) **References Cited**

U.S. PATENT DOCUMENTS

D396,689	S	*	8/1998	Karten et al.	D13/147
D443,862	S	*	6/2001	Milan	D13/154
D463,373	S	*	9/2002	Lee	D13/147
D468,266	S	*	1/2003	Huang	D13/147
D511,501	S	*	11/2005	Lee et al.	D13/156
D515,508	S	*	2/2006	Lee	D13/147
D519,465	S	*	4/2006	Sirichai et al.	D13/156

D540,259	S	*	4/2007	Huang et al.	D13/147
D588,546	S	*	3/2009	Lee et al.	D13/154
D590,346	S	*	4/2009	Wu et al.	D13/147

* cited by examiner

Primary Examiner—Daniel D Bui

(74) *Attorney, Agent, or Firm*—LaRiviere, Grubman & Payne, LLP

(57) **CLAIM**

The ornamental design for a cable connector, as shown and described in the accompanying drawings.

DESCRIPTION

FIG. 1 is a perspective view of a cable connector, showing our design;

FIG. 2 is a front view thereof;

FIG. 3 is a rear view thereof;

FIG. 4 is a side view thereof;

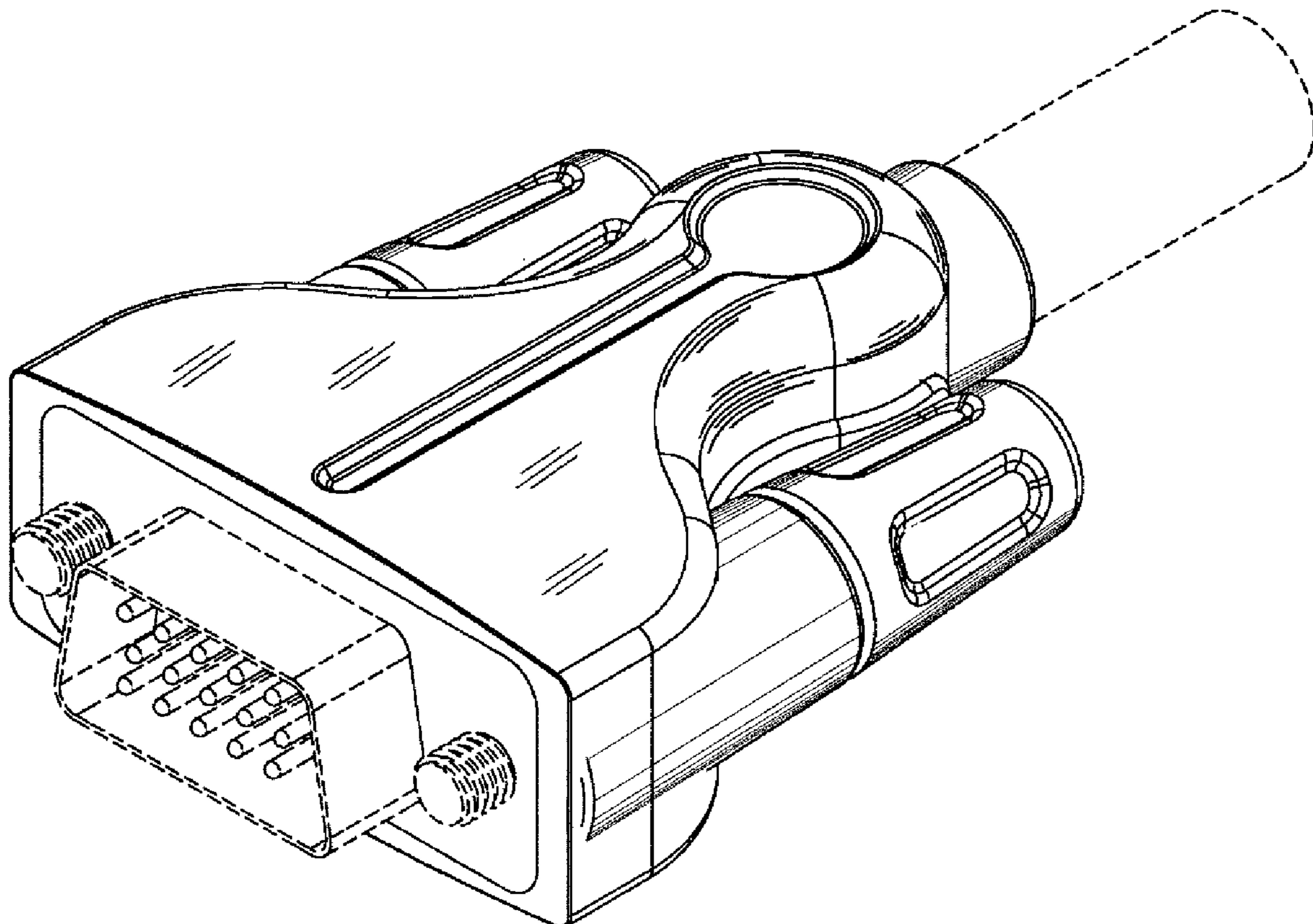
FIG. 5 is an opposing side view thereof;

FIG. 6 is a bottom view thereof; and,

FIG. 7 is a top view thereof.

The broken line portion of the figure drawings is included to show unclaimed subject matter only and forms no part of the claimed design.

1 Claim, 4 Drawing Sheets



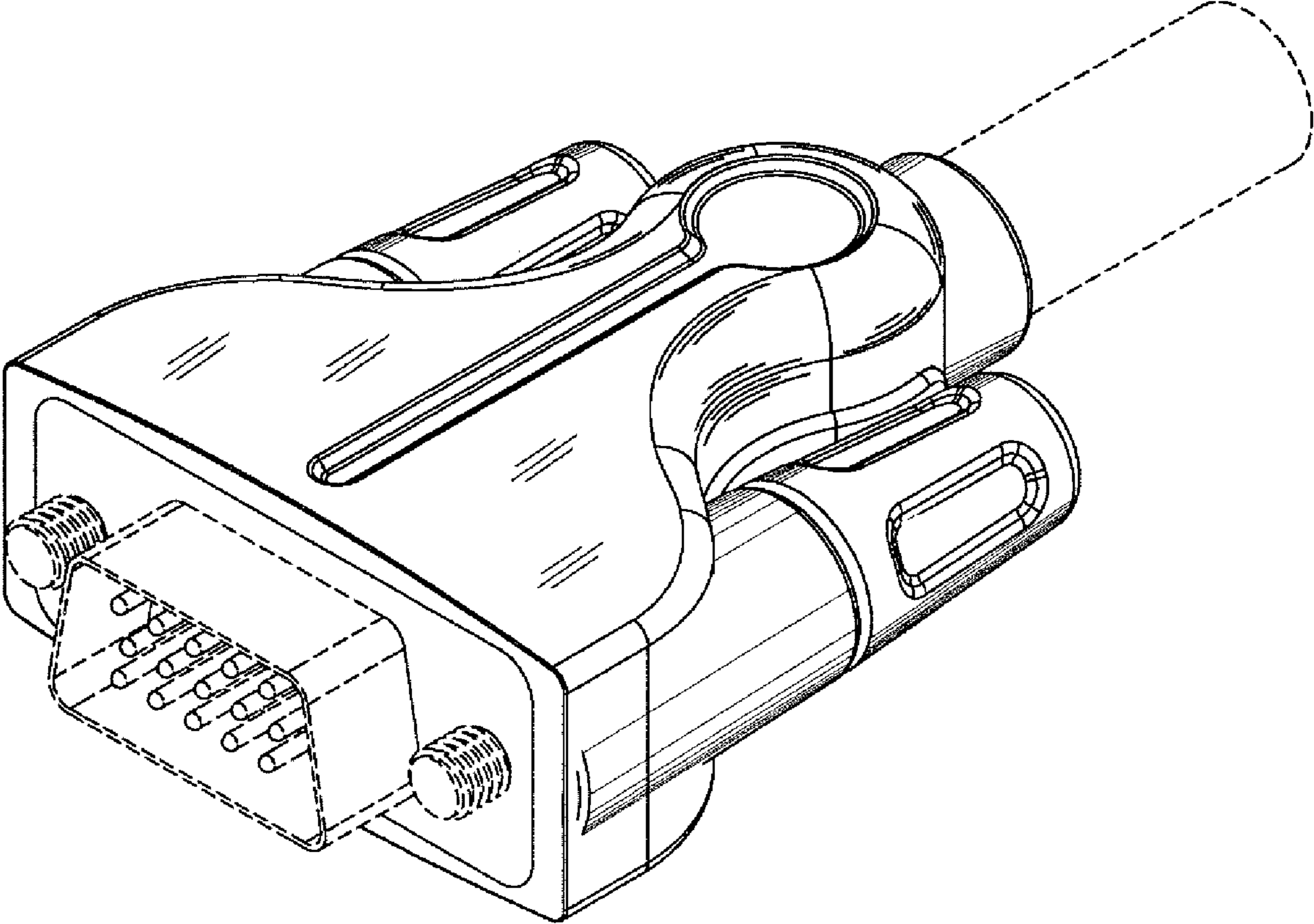


Figure 1

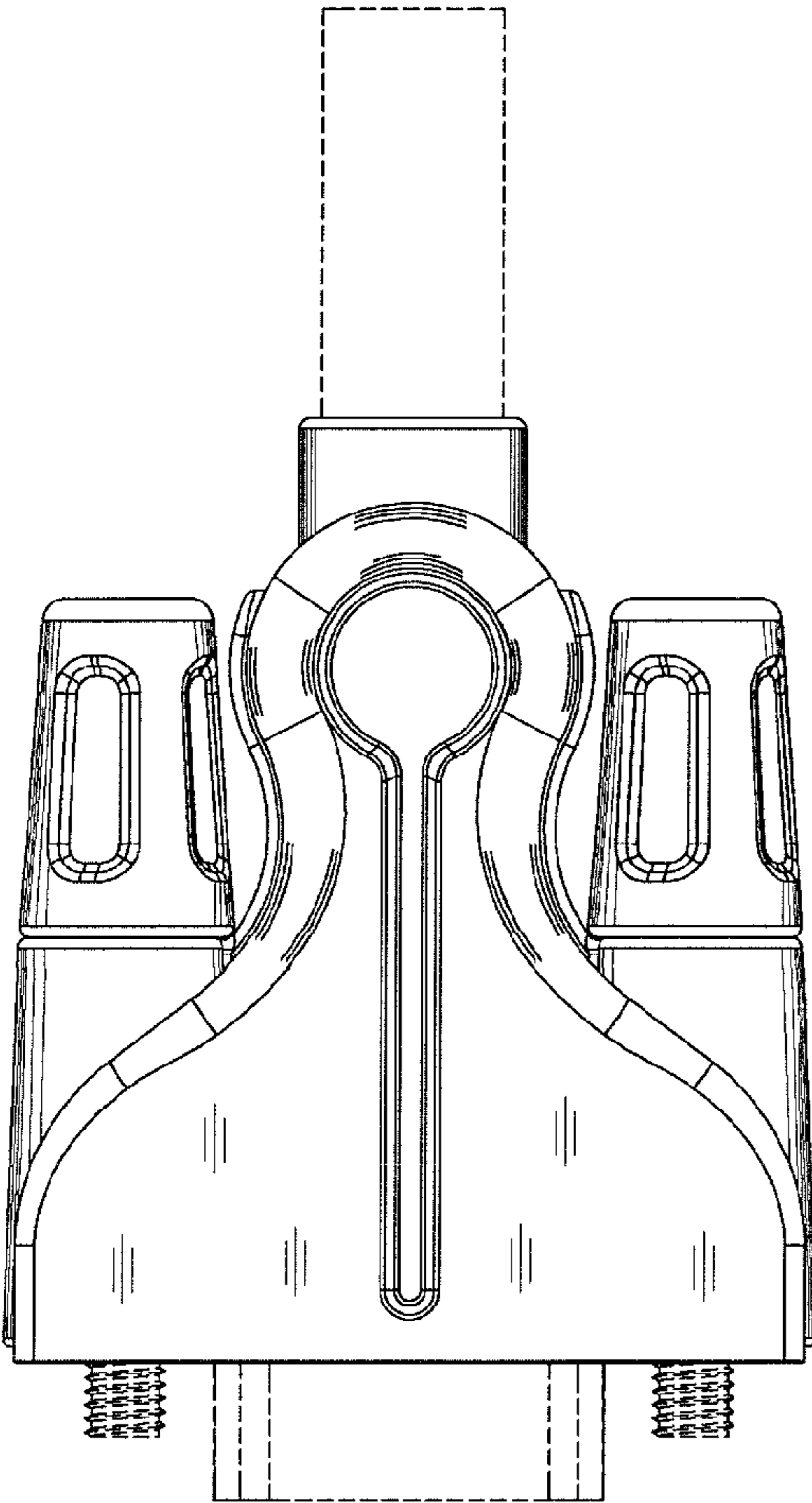


Figure 2

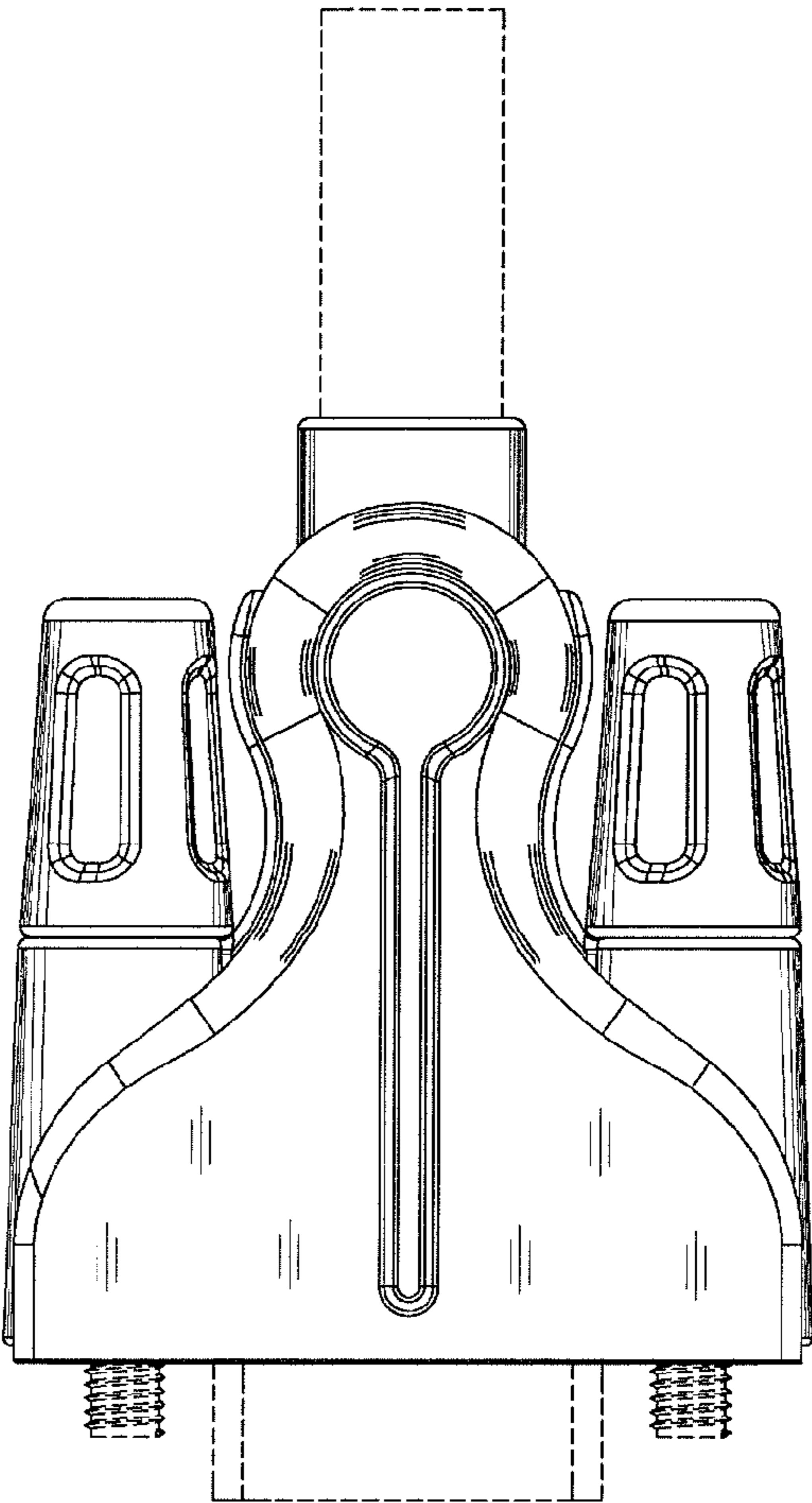


Figure 3

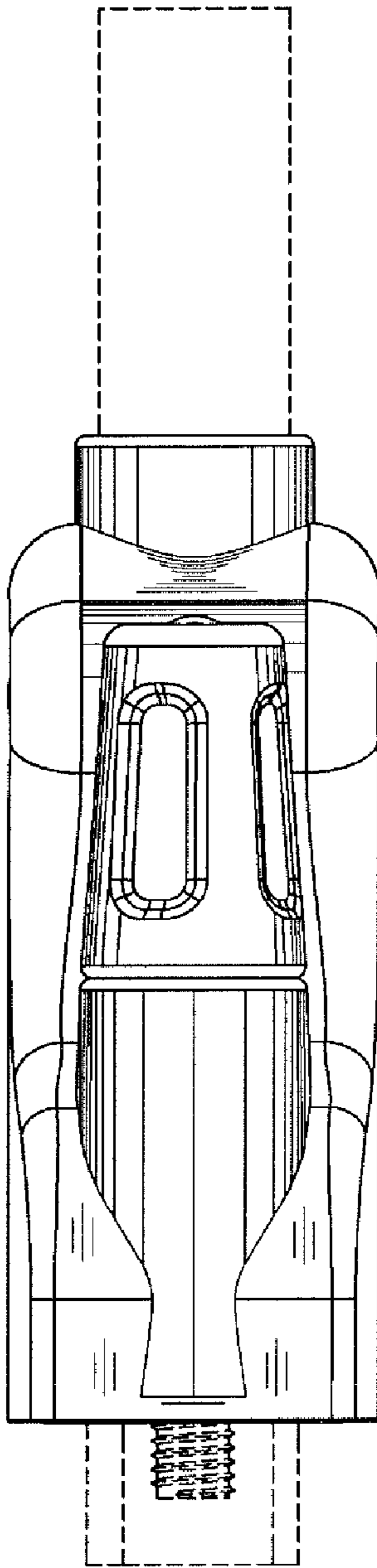


Figure 4

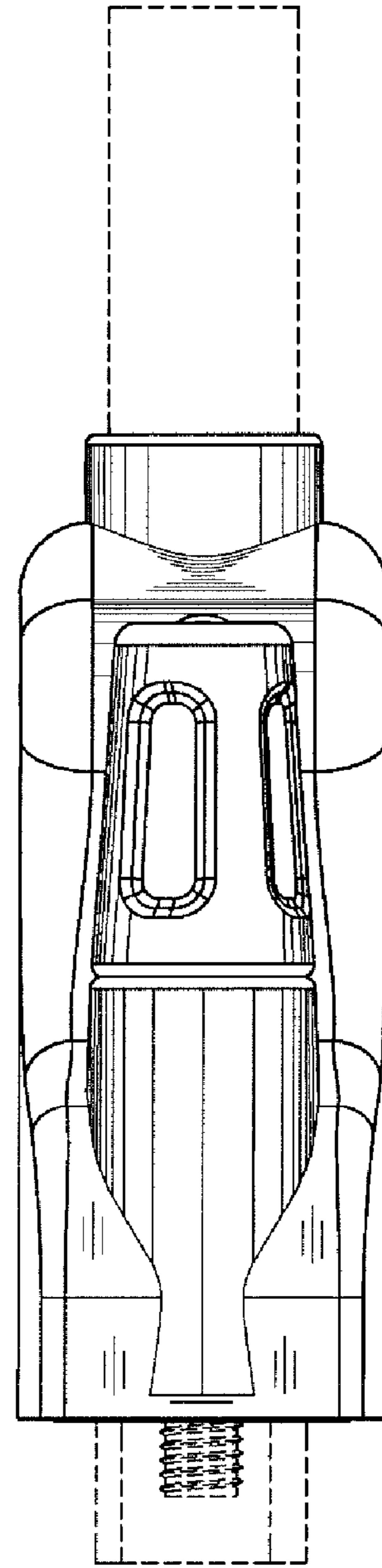


Figure 5

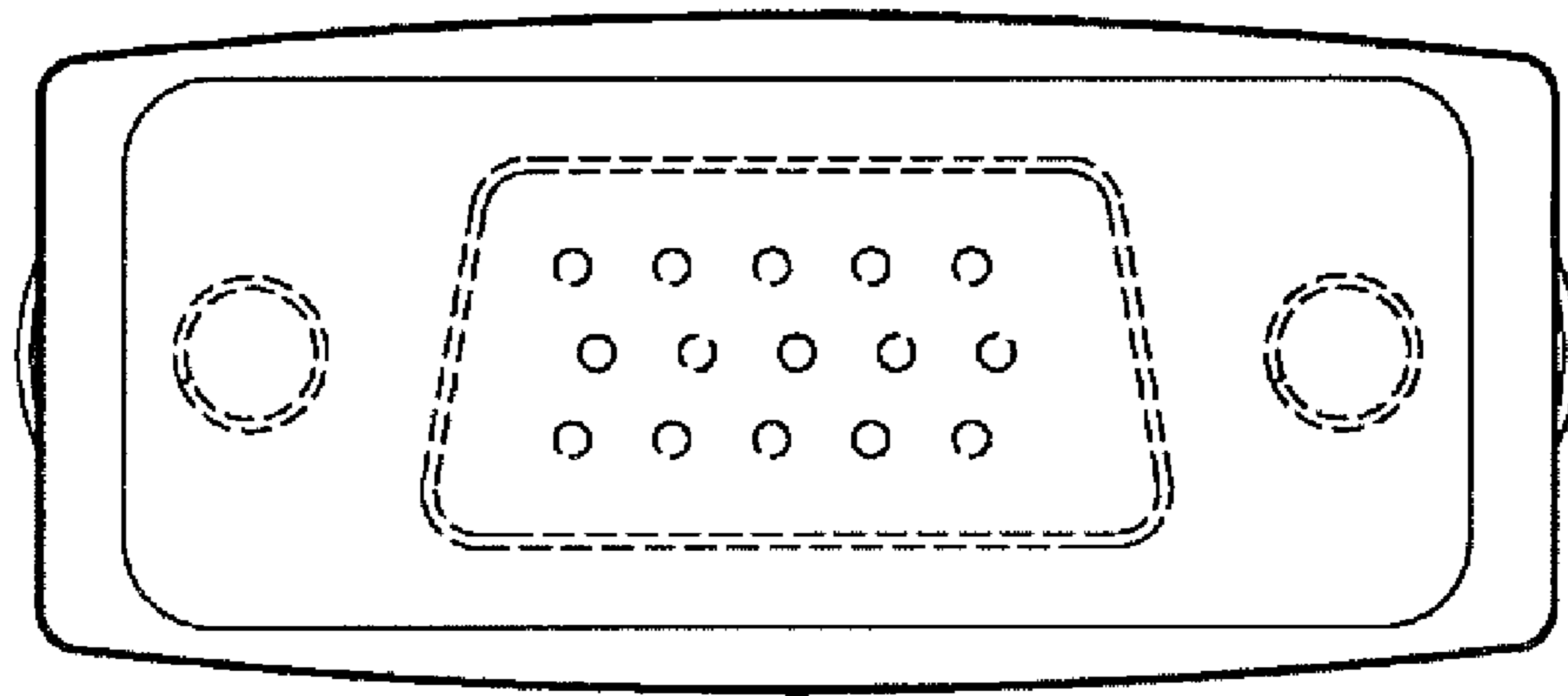


Figure 6

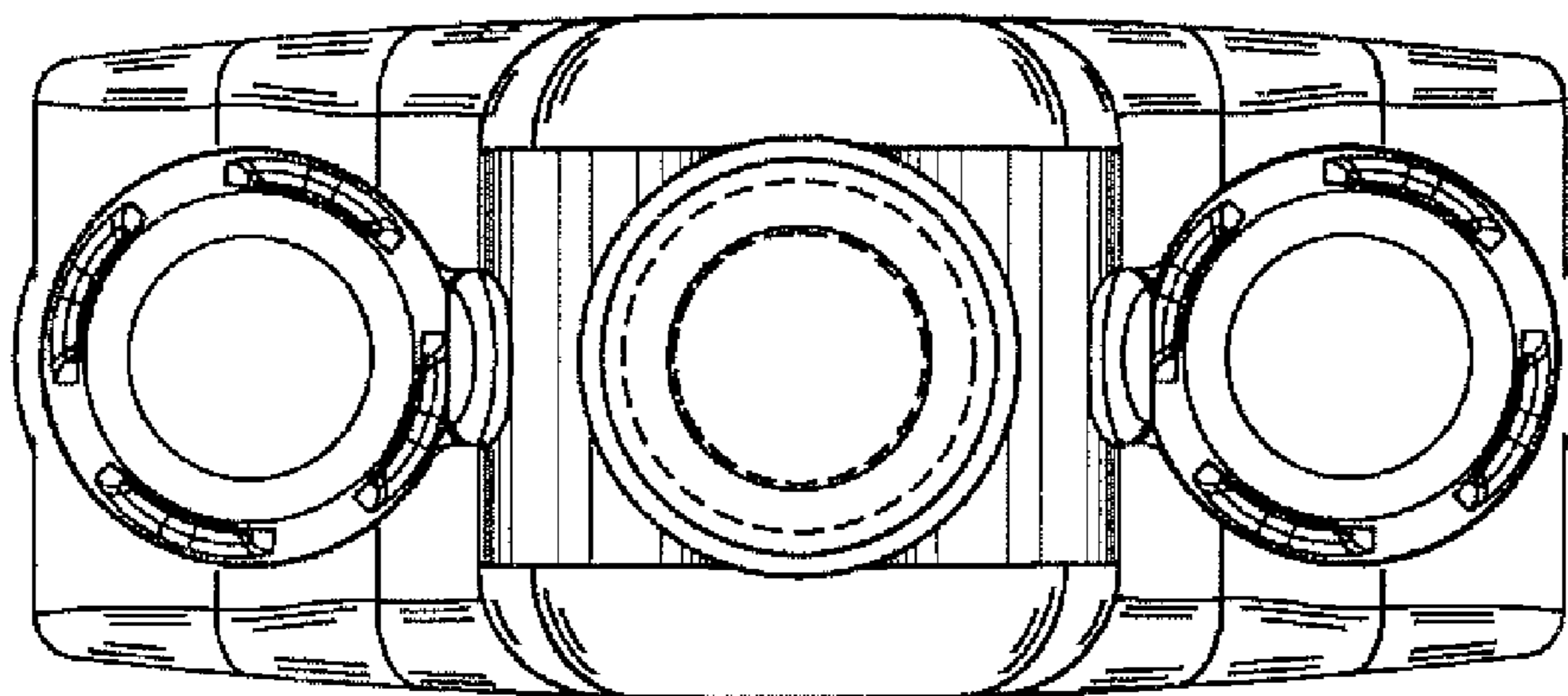


Figure 7