

US00D609187S

(12) **United States Design Patent**  
**Hamauchi**

(10) **Patent No.:** **US D609,187 S**  
(45) **Date of Patent:** **\*\* Feb. 2, 2010**

(54) **ELECTRIC CONNECTOR**

JP 1277615 7/2006

(75) Inventor: **Norio Hamauchi**, Machida (JP)

(73) Assignee: **I-Pex Co., Ltd.**, Machida-shi (JP)

(\*\*) Term: **14 Years**

(21) Appl. No.: **29/321,338**

(22) Filed: **Jul. 15, 2008**

(30) **Foreign Application Priority Data**

Apr. 4, 2008 (JP) ..... 2008-008735

(51) **LOC (9) Cl.** ..... **13-03**

(52) **U.S. Cl.** ..... **D13/147**

(58) **Field of Classification Search** ..... D13/146-147,  
D13/154, 184; 439/260, 329, 357, 422, 492-499,  
439/660

See application file for complete search history.

(56) **References Cited**

**U.S. PATENT DOCUMENTS**

D444,130 S \* 6/2001 Hayashi et al. .... D13/147  
D456,777 S \* 5/2002 Igarashi ..... D13/147  
D457,138 S \* 5/2002 Igarashi ..... D13/147  
D541,750 S \* 5/2007 Yoshikai ..... D13/147

**FOREIGN PATENT DOCUMENTS**

JP 1234525 3/2005  
JP 1245751 7/2005

**OTHER PUBLICATIONS**

U.S. Appl. No. 29/321,335, filed Jul. 15, 2008, Hamauchi.  
U.S. Appl. No. 29/321,226, filed Jul. 14, 2008, unknown.  
U.S. Appl. No. 29/321,229, filed Jul. 14, 2008, unknown.  
U.S. Appl. No. 29/321,239, filed Jul. 14, 2008, unknown.

\* cited by examiner

*Primary Examiner*—Daniel D Bui

(74) *Attorney, Agent, or Firm*—Oblon, Spivak, McClelland,  
Maier & Neustadt, L.L.P.

(57) **CLAIM**

The ornamental design for an electric connector, as shown and described.

**DESCRIPTION**

FIG. 1 is a front view of an electric connector showing my new design;

FIG. 2 is a top view thereof;

FIG. 3 is a rear view thereof;

FIG. 4 is a bottom view thereof.

FIG. 5 is a right side view thereof;

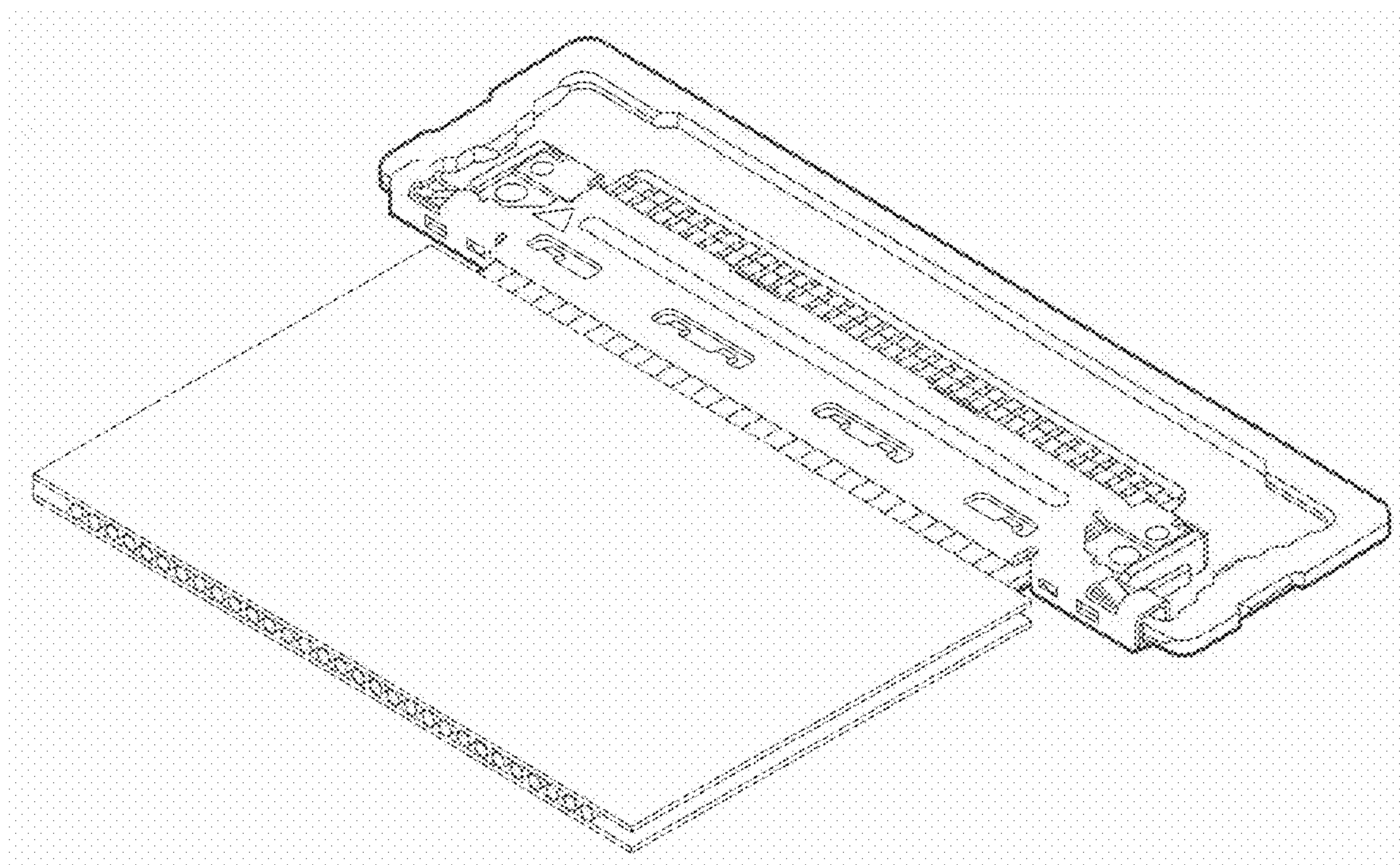
FIG. 6 is a left side view thereof;

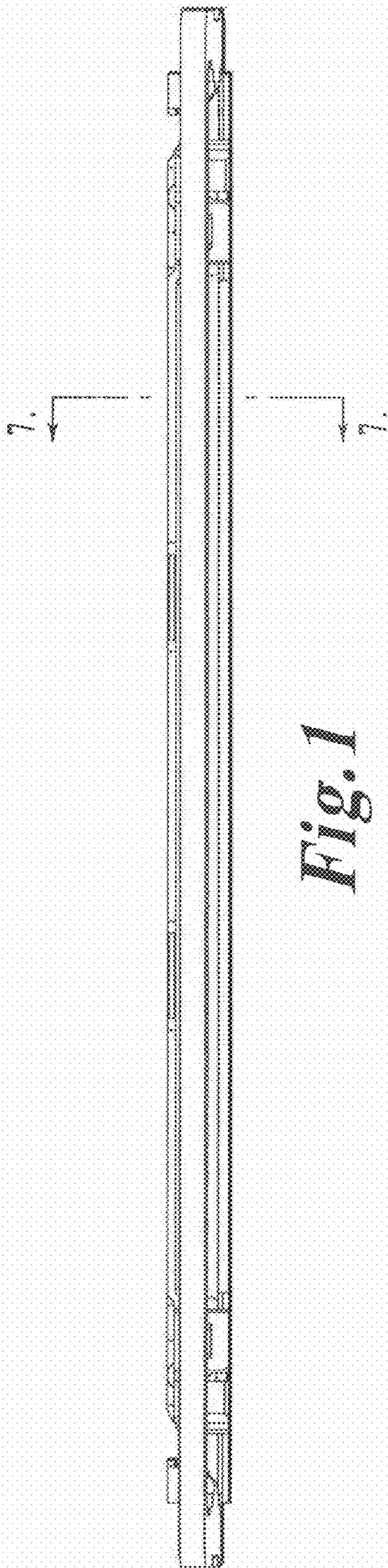
FIG. 7 is a cross-sectional view thereof, on an enlarged scale, taken along line 7—7 in FIG. 1;

FIG. 8 is a top, rear and left side perspective view thereof, in use condition; and,

FIG. 9 is another top, rear and left side perspective view thereof, in use condition.

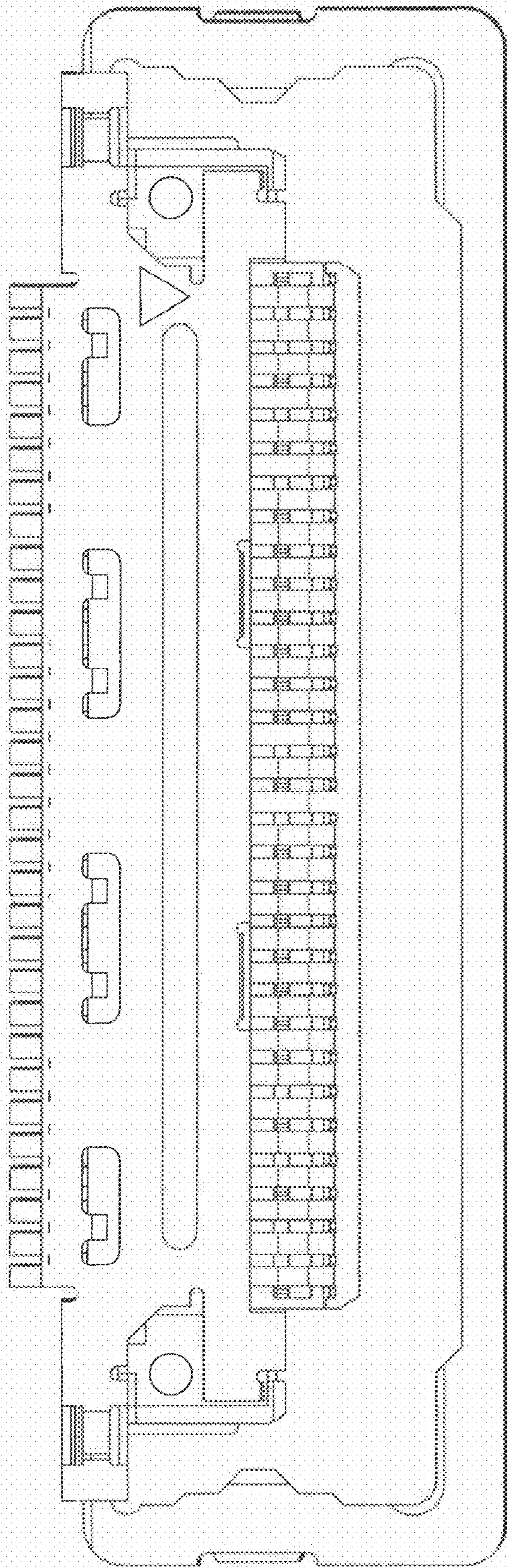
**1 Claim, 6 Drawing Sheets**



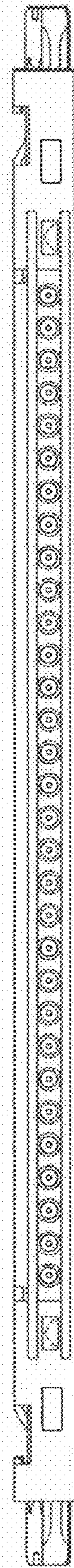


*Fig. 1*



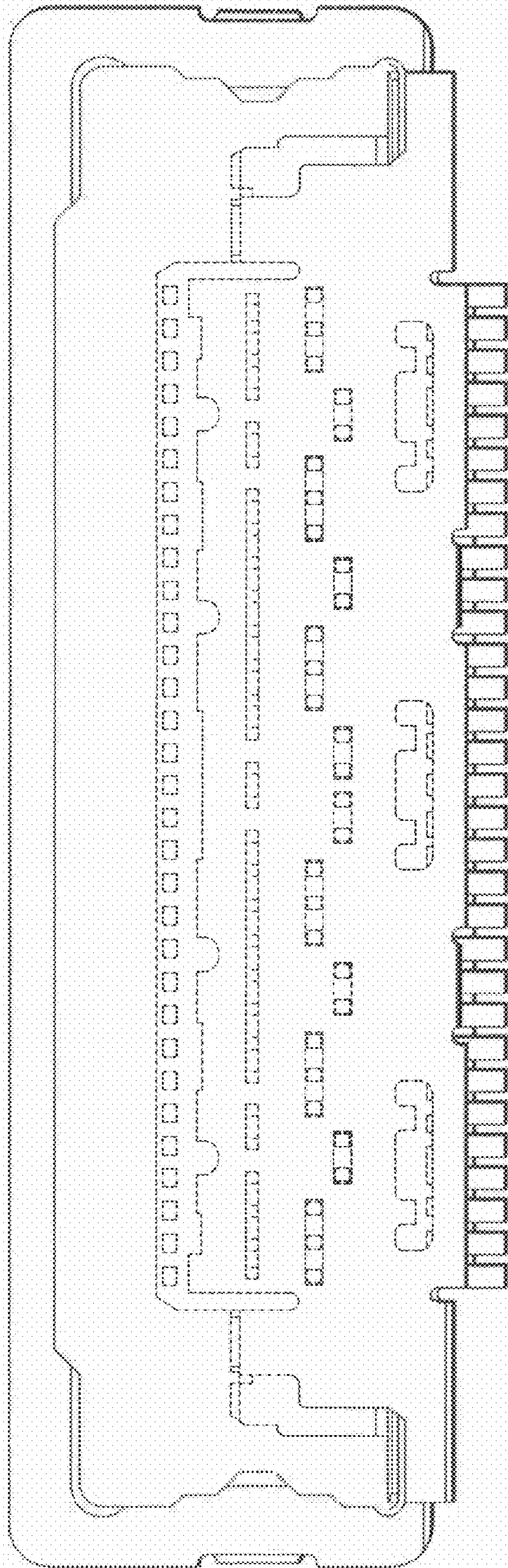


*Fig. 2*



*Fig. 3*





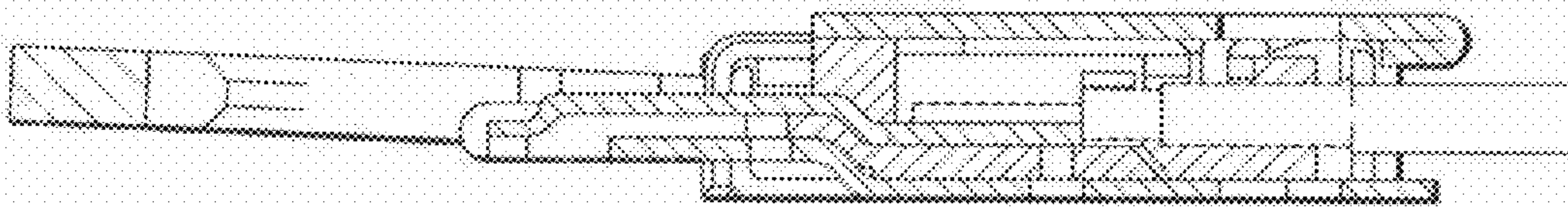
*Fig. 4*



*Fig. 5*

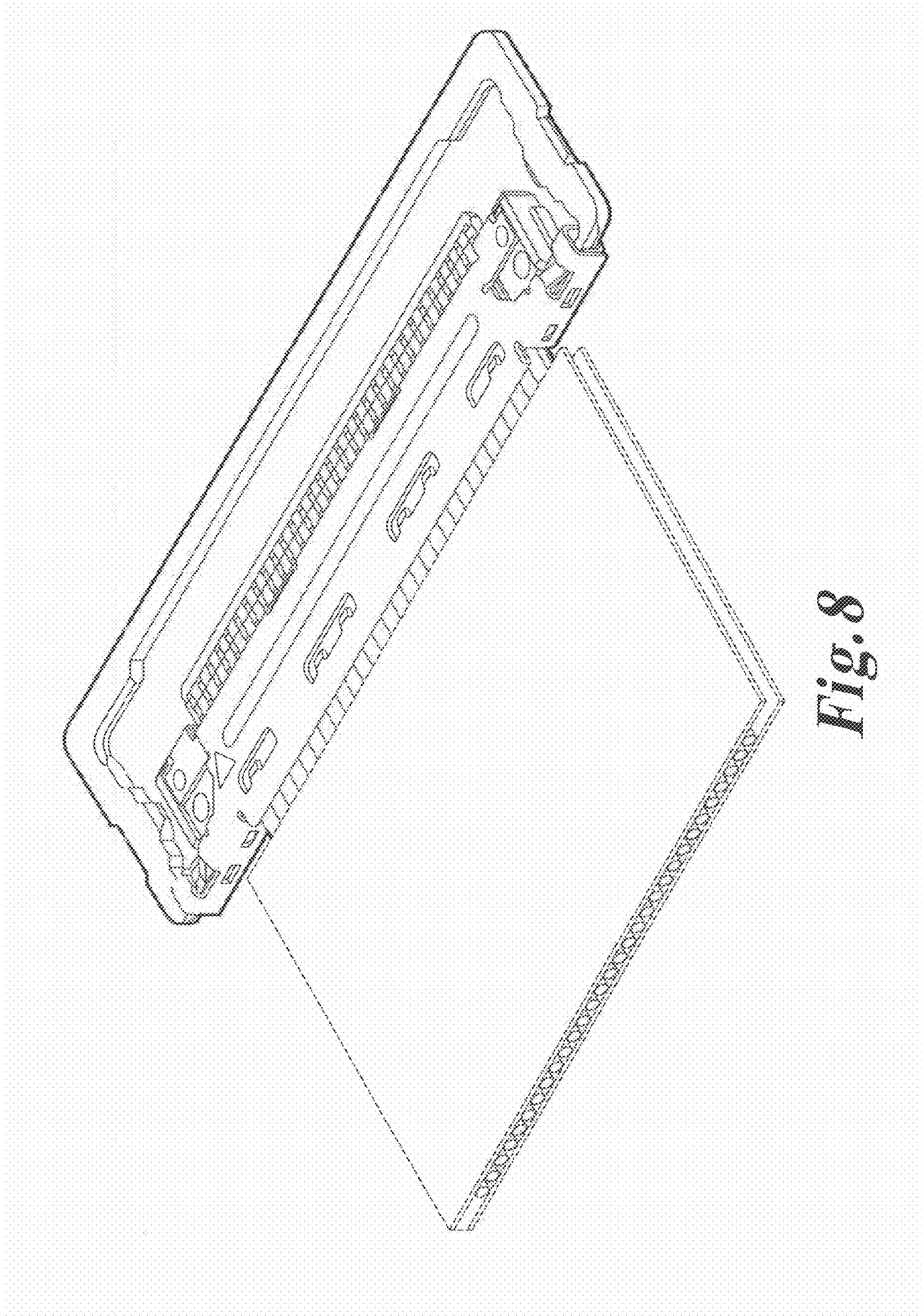


*Fig. 6*

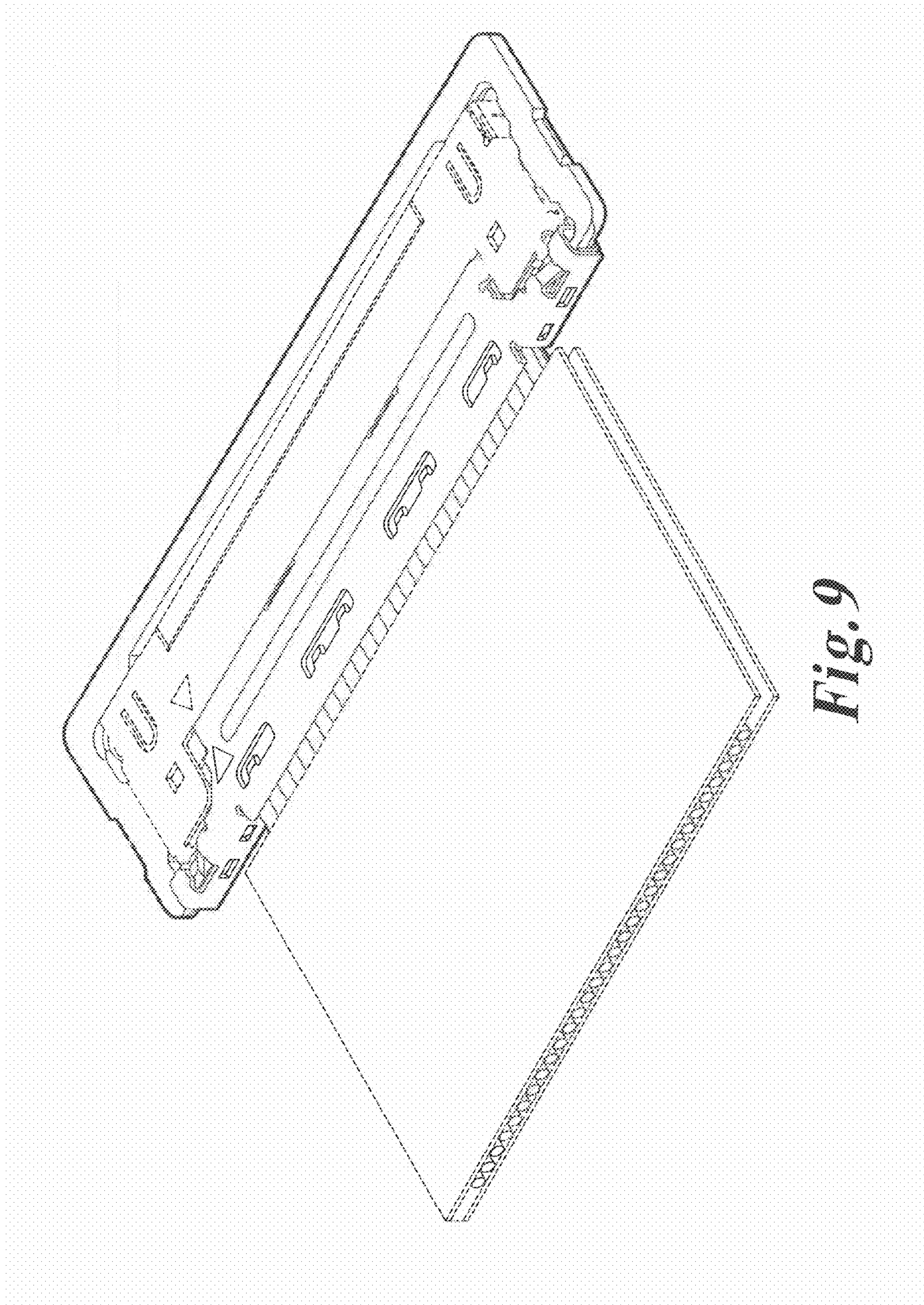


*Fig. 7*





*Fig. 8*



*Fig. 9*