



US00D609186S

(12) **United States Design Patent**
Han et al.

(10) **Patent No.:** **US D609,186 S**
(45) **Date of Patent:** **** Feb. 2, 2010**

(54) **ELECTRICAL CONNECTOR**

2008/0242142 A1* 10/2008 Takeuchi et al. 439/483

(75) Inventors: **Hong-Qiang Han**, Kunshan (CN);
Zi-Qiang Zhu, Kunshan (CN); **Chen-Xi Wang**, Kunshan (CN)

FOREIGN PATENT DOCUMENTS

CN D121831 3/2008

* cited by examiner

(73) Assignee: **Hon Hai Precision Ind. Co., Ltd.**,
Taipei Hsien (TW)

Primary Examiner—Daniel D Bui
(74) *Attorney, Agent, or Firm*—Wei Te Chung; Andrew C. Cheng; Ming Chieh Chang

(**) Term: **14 Years**

(21) Appl. No.: **29/313,945**

(57) **CLAIM**

(22) Filed: **Feb. 19, 2009**

The ornamental design for an electrical connector, as shown and described.

(30) **Foreign Application Priority Data**

Aug. 19, 2008 (CN) 2008 3 0183914

DESCRIPTION

(51) **LOC (9) Cl.** **13-03**

FIG. 1 is a front, top and right side perspective view of an electrical connector showing our new design;

(52) **U.S. Cl.** **D13/147**

FIG. 2 is a front elevational view thereof;

(58) **Field of Classification Search** D13/147,
D13/154, 184; 439/79, 108, 378, 497, 567,
439/607–610, 668, 680

FIG. 3 is a rear elevational view thereof;

FIG. 4 is a left side elevational view thereof;

See application file for complete search history.

FIG. 5 is a right side elevational view thereof;

FIG. 6 is a top plan view thereof; and,

FIG. 7 is a bottom plan view thereof.

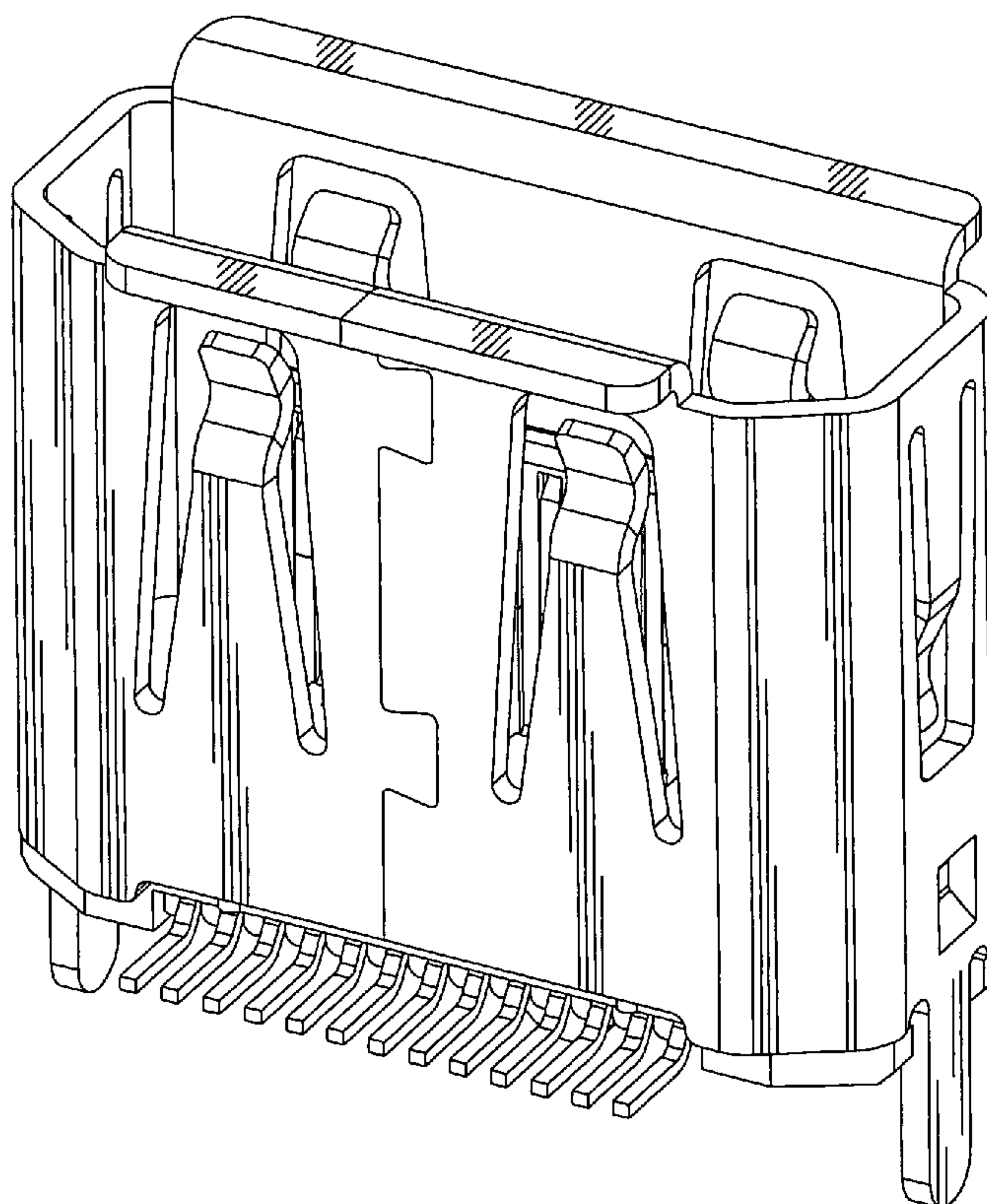
(56) **References Cited**

U.S. PATENT DOCUMENTS

D543,151 S * 5/2007 Watanabe et al. D13/147
D583,758 S * 12/2008 Cheng et al. D13/133
D584,691 S * 1/2009 Koyama et al. D13/147
D589,448 S * 3/2009 Koyama D13/147

The broken lines showing unclaimed subject matter of the internal elements of the electrical connector is for illustrative purposes only and forms no part of the claimed design.

1 Claim, 7 Drawing Sheets



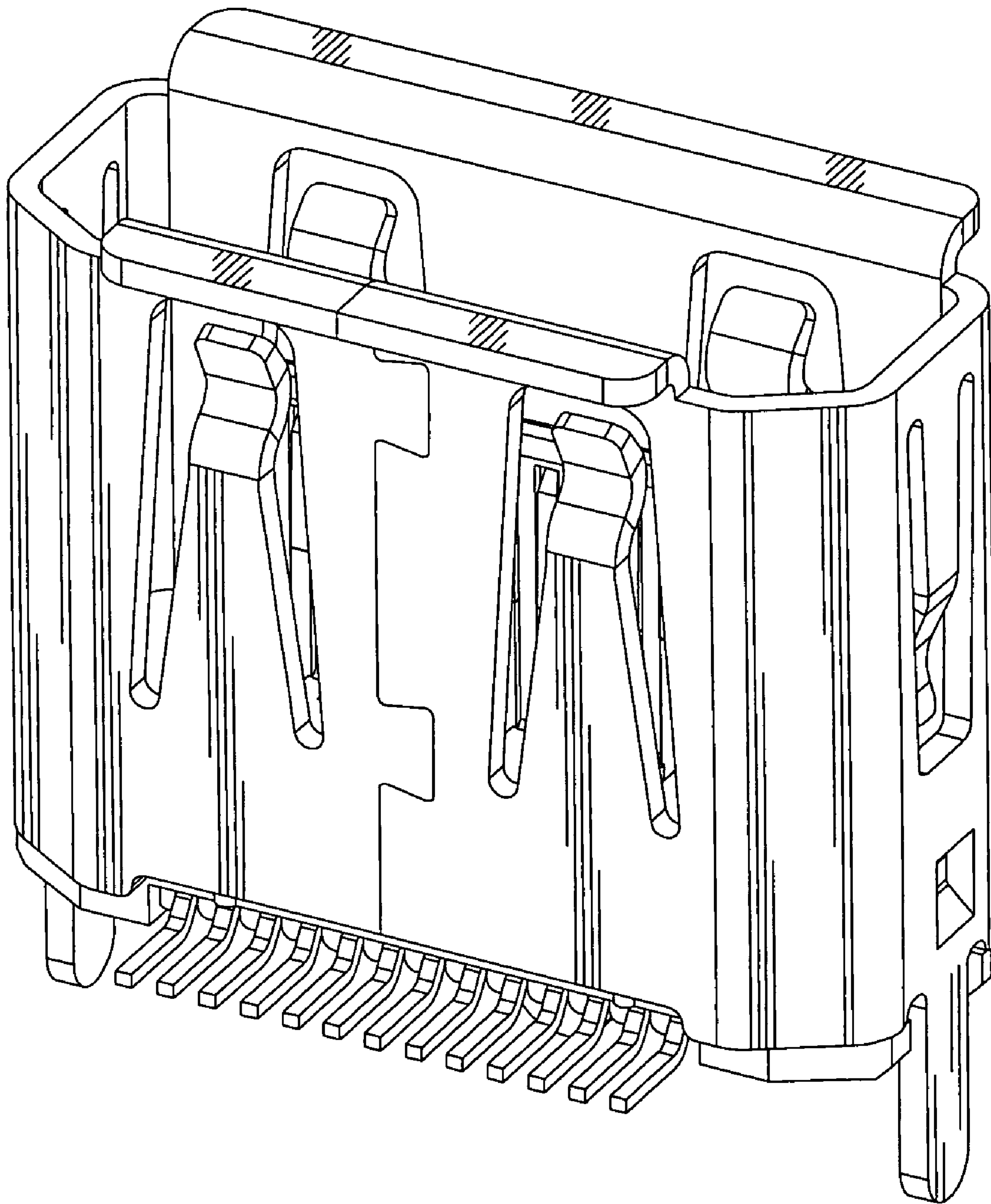


FIG. 1

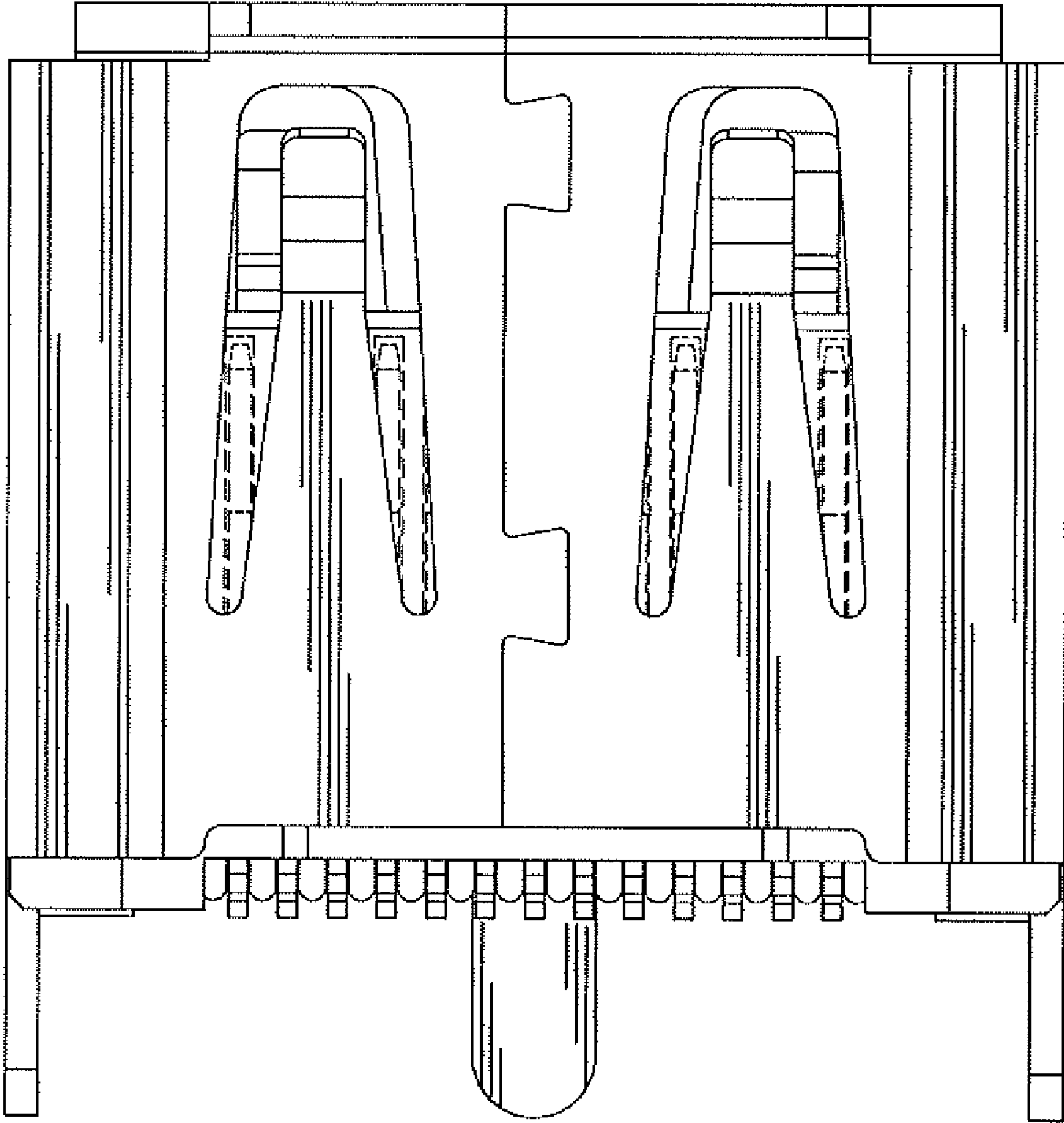


FIG. 2

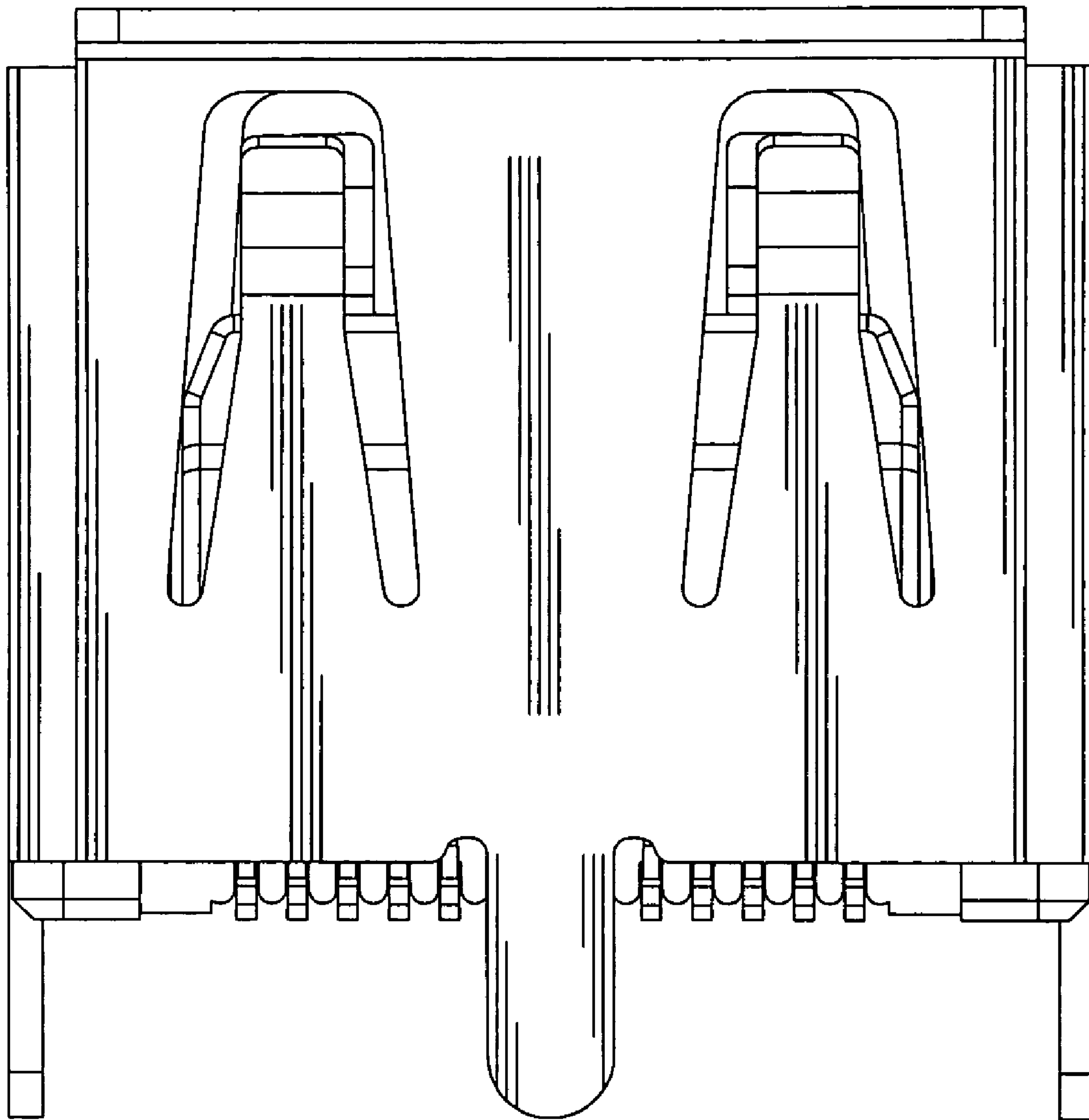


FIG. 3

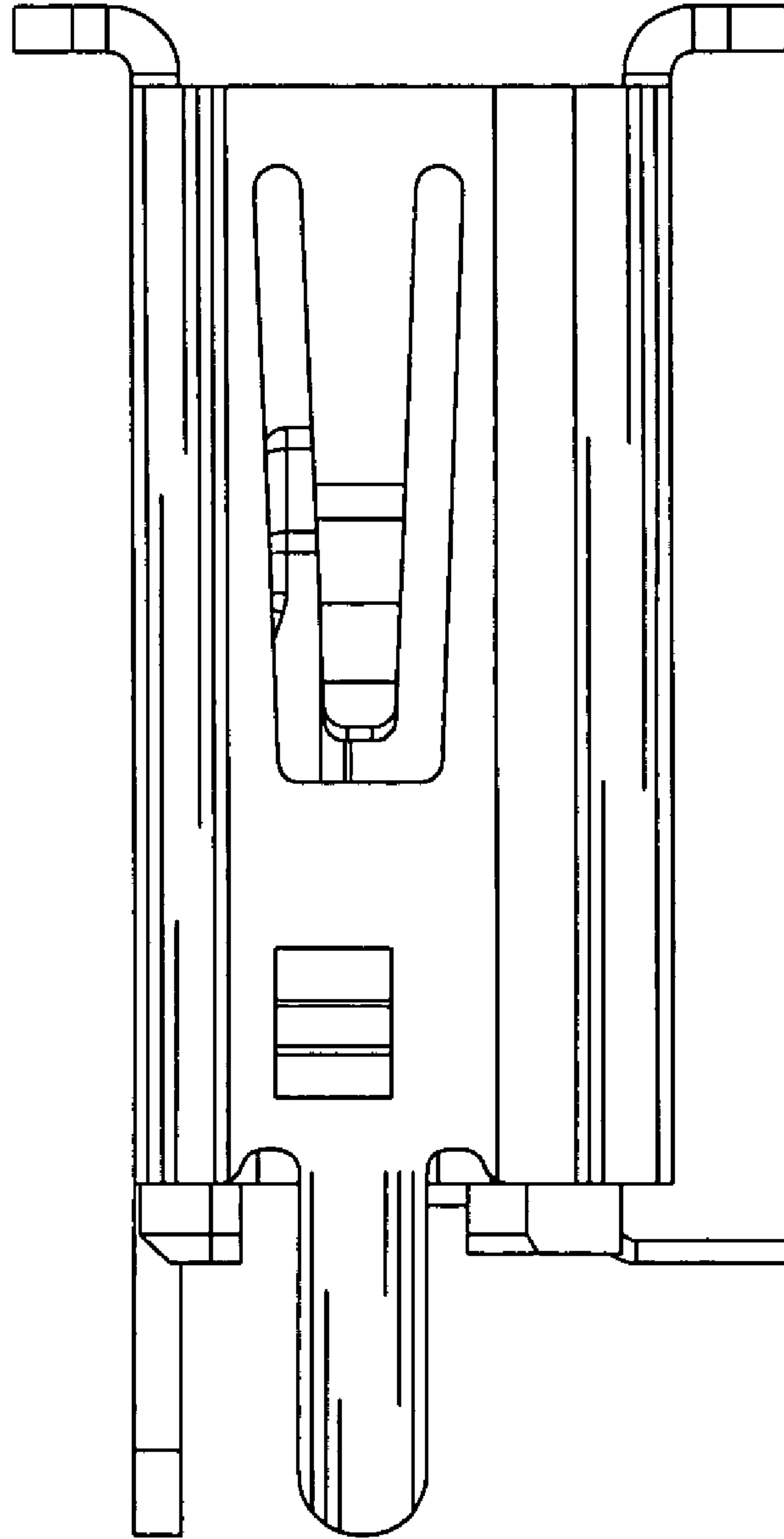


FIG. 4

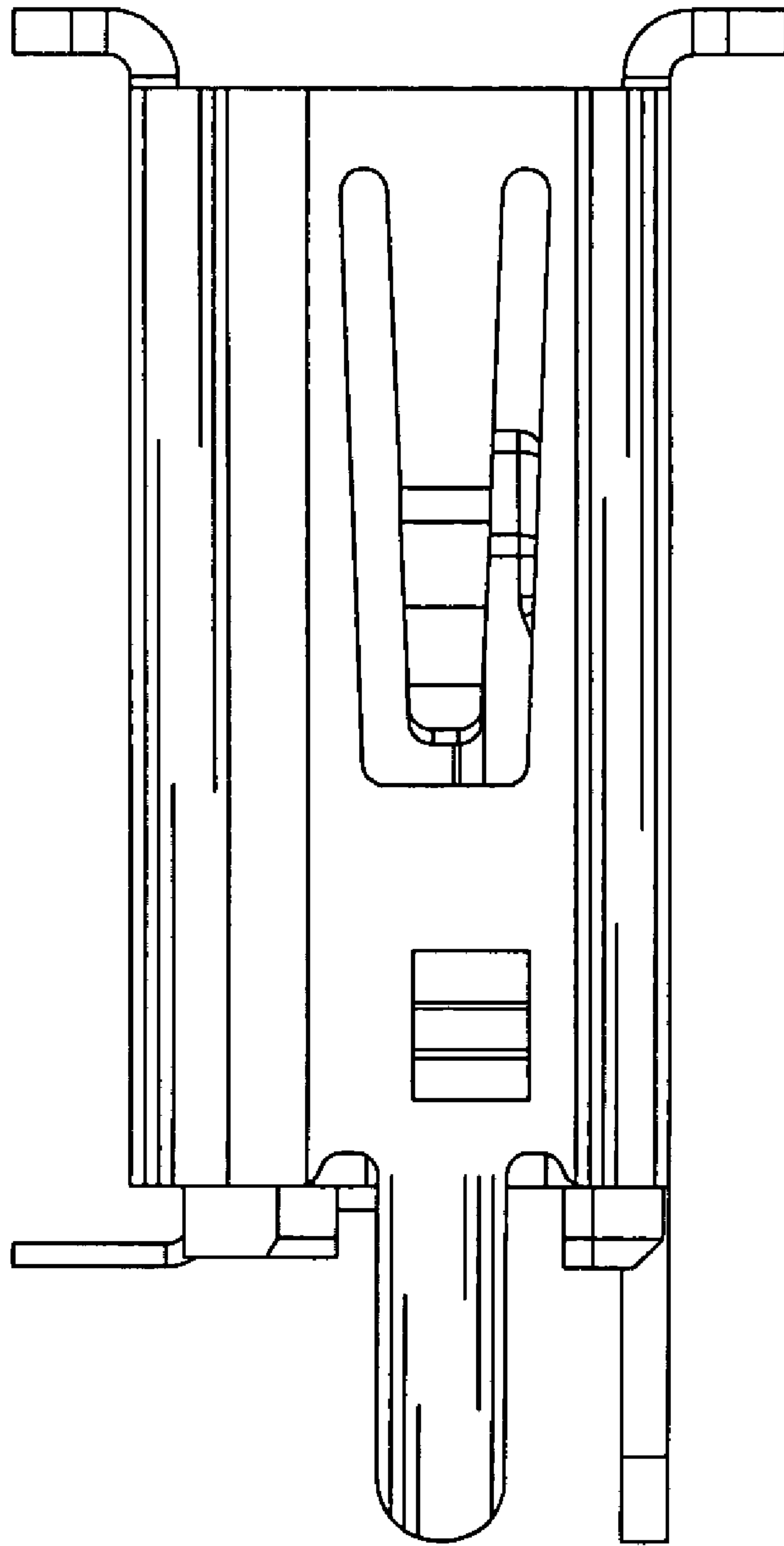


FIG. 5

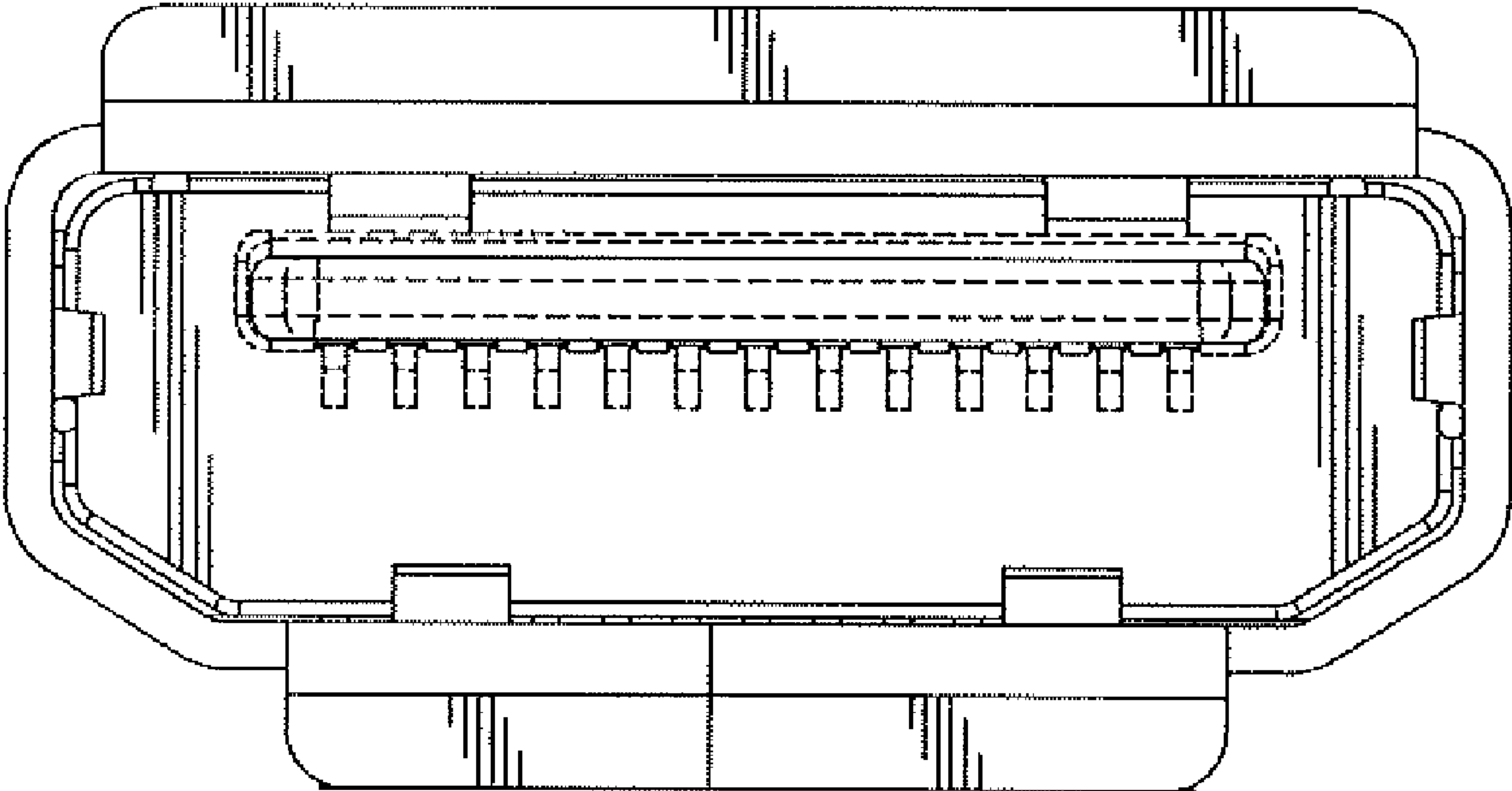


FIG. 6

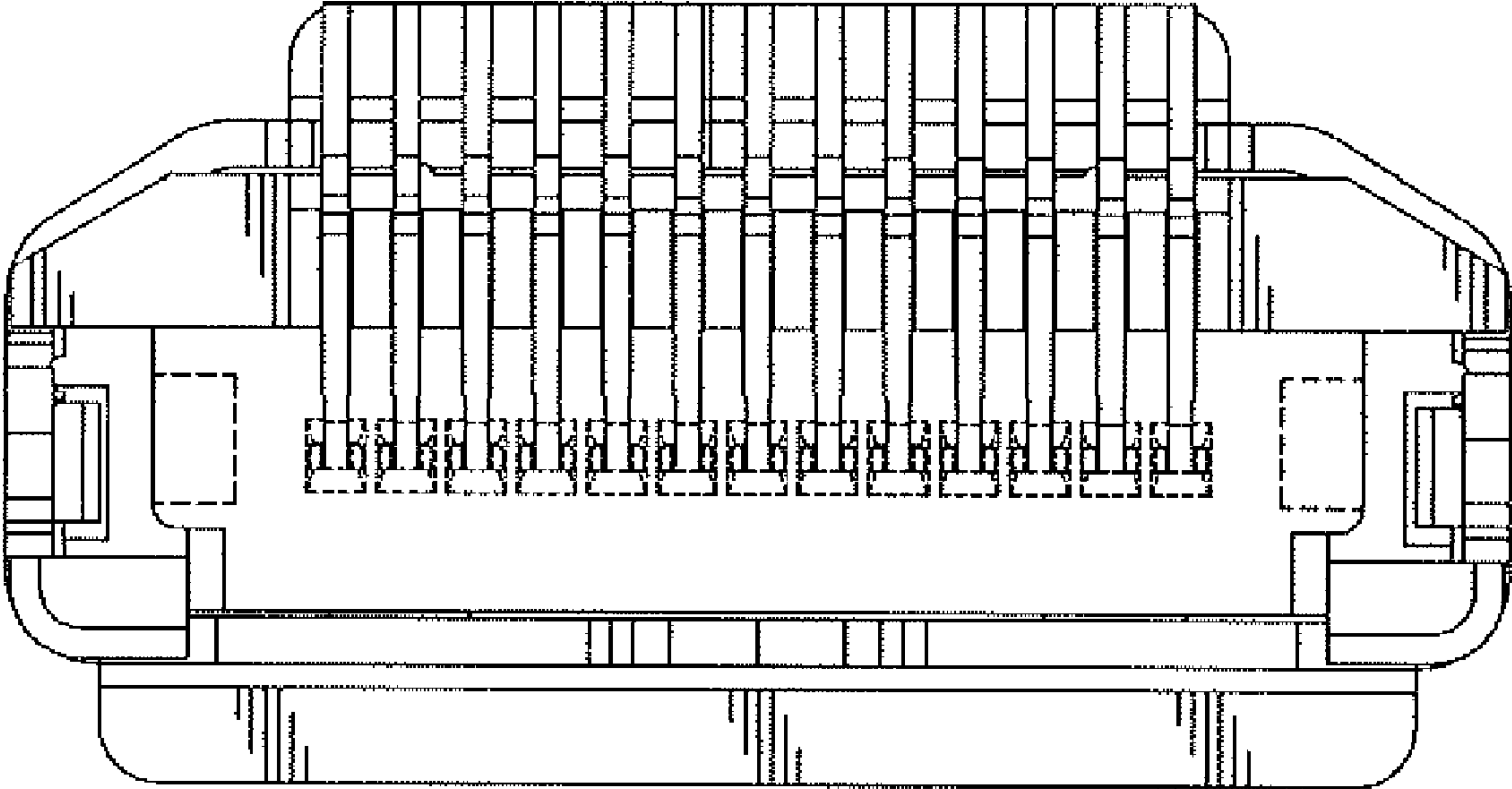


FIG. 7