



US00D609183S

(12) **United States Design Patent**
Stiff et al.

(10) **Patent No.:** **US D609,183 S**
(45) **Date of Patent:** **** Feb. 2, 2010**

- (54) **VEHICLE POWER CHARGER**
- (75) Inventors: **Don Stiff**, Los Angeles, CA (US); **Stuart Karten**, Venice, CA (US)
- (73) Assignee: **USA Wireless Solutions, Inc.**, Van Nuys (CA)
- (**) Term: **14 Years**
- (21) Appl. No.: **29/322,451**
- (22) Filed: **Aug. 5, 2008**
- (51) **LOC (9) Cl.** **13-03**
- (52) **U.S. Cl.** **D13/144**
- (58) **Field of Classification Search** D13/102–103, D13/107–110, 118–119, 133, 144, 184; D14/251, D14/253, 432, 434, 184; 439/300, 620, 638, 439/668–669, 675, 825; 320/107–115; 363/146
See application file for complete search history.

- D492,249 S * 6/2004 Suomalainen et al. D13/108
- D496,904 S * 10/2004 Nazar D13/110
- D507,532 S * 7/2005 Kajiwara et al. D13/144
- D522,457 S * 6/2006 Riede D13/144
- D524,285 S * 7/2006 Dayan D14/155
- D525,201 S * 7/2006 Navarrez et al. D13/144
- D541,254 S * 4/2007 Dayan D14/155
- D545,274 S * 6/2007 Dong D13/144
- D548,719 S * 8/2007 Dayan D14/155
- D592,594 S * 5/2009 Stiff et al. D13/110

* cited by examiner

Primary Examiner—Rosemary K Tarcza
(74) *Attorney, Agent, or Firm*—O’Melveny & Myers LLP

(57) **CLAIM**

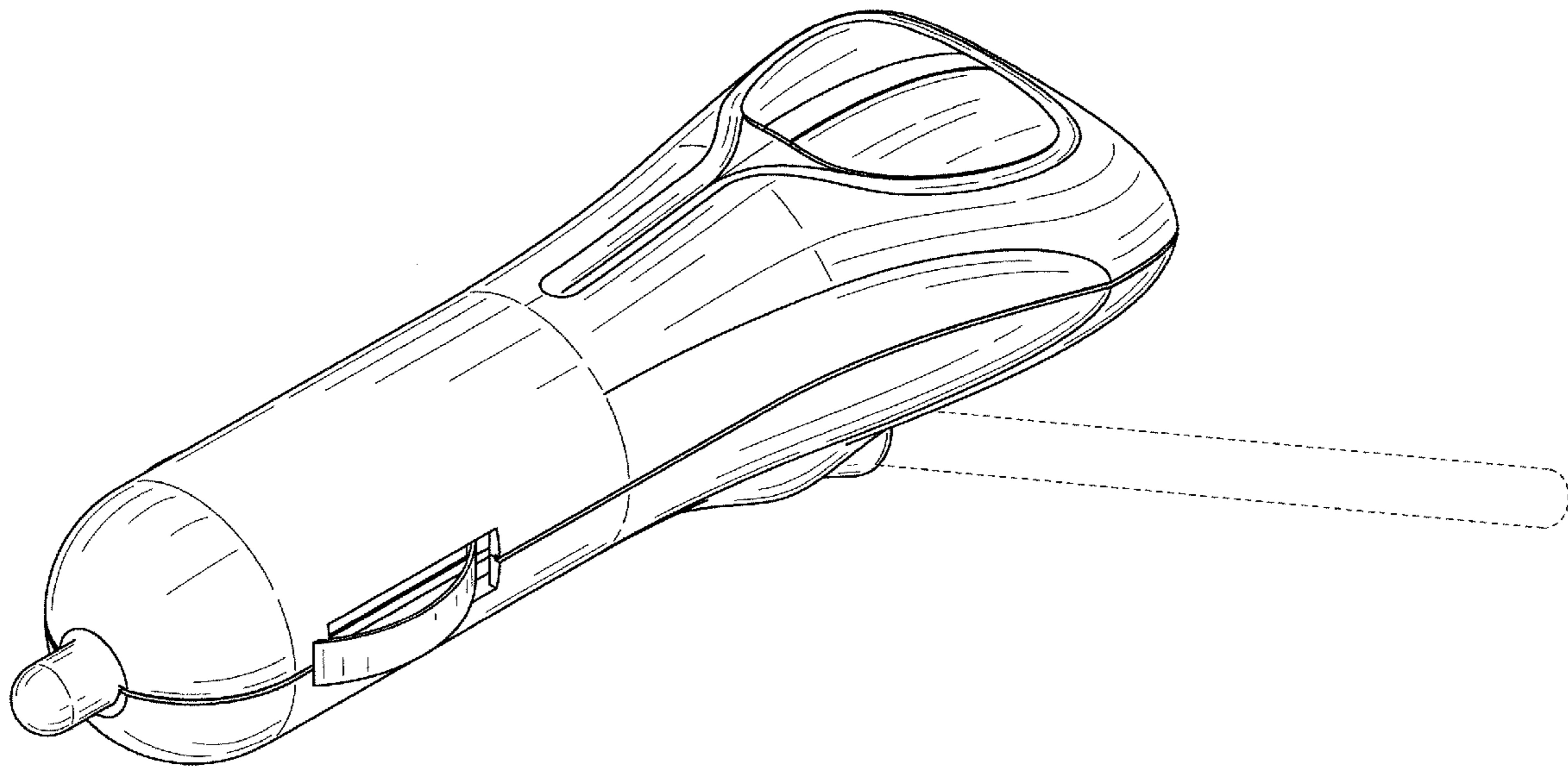
The ornamental design for a vehicle power charger, as shown and described.

DESCRIPTION

FIG. 1 is a perspective view of a vehicle power charger in accordance with the invention;
FIG. 2 is a rear view of the vehicle power charger;
FIG. 3 is a front view of the vehicle power charger;
FIG. 4 is a side view of the vehicle power charger;
FIG. 5 is a top view of the vehicle power charger; and,
FIG. 6 is a bottom view of the vehicle power charger.

1 Claim, 4 Drawing Sheets

- (56) **References Cited**
- U.S. PATENT DOCUMENTS
- D330,887 S * 11/1992 Wharton D13/144
- D392,617 S * 3/1998 Yokozawa D13/144
- D406,261 S * 3/1999 Kettula et al. D13/144
- D479,824 S * 9/2003 Arkin et al. D13/144
- D481,358 S * 10/2003 Hsiao D13/144
- 6,641,405 B2 * 11/2003 Chou 439/32
- D489,326 S * 5/2004 Nazar D13/110
- D490,058 S * 5/2004 Mkhitarian D13/144



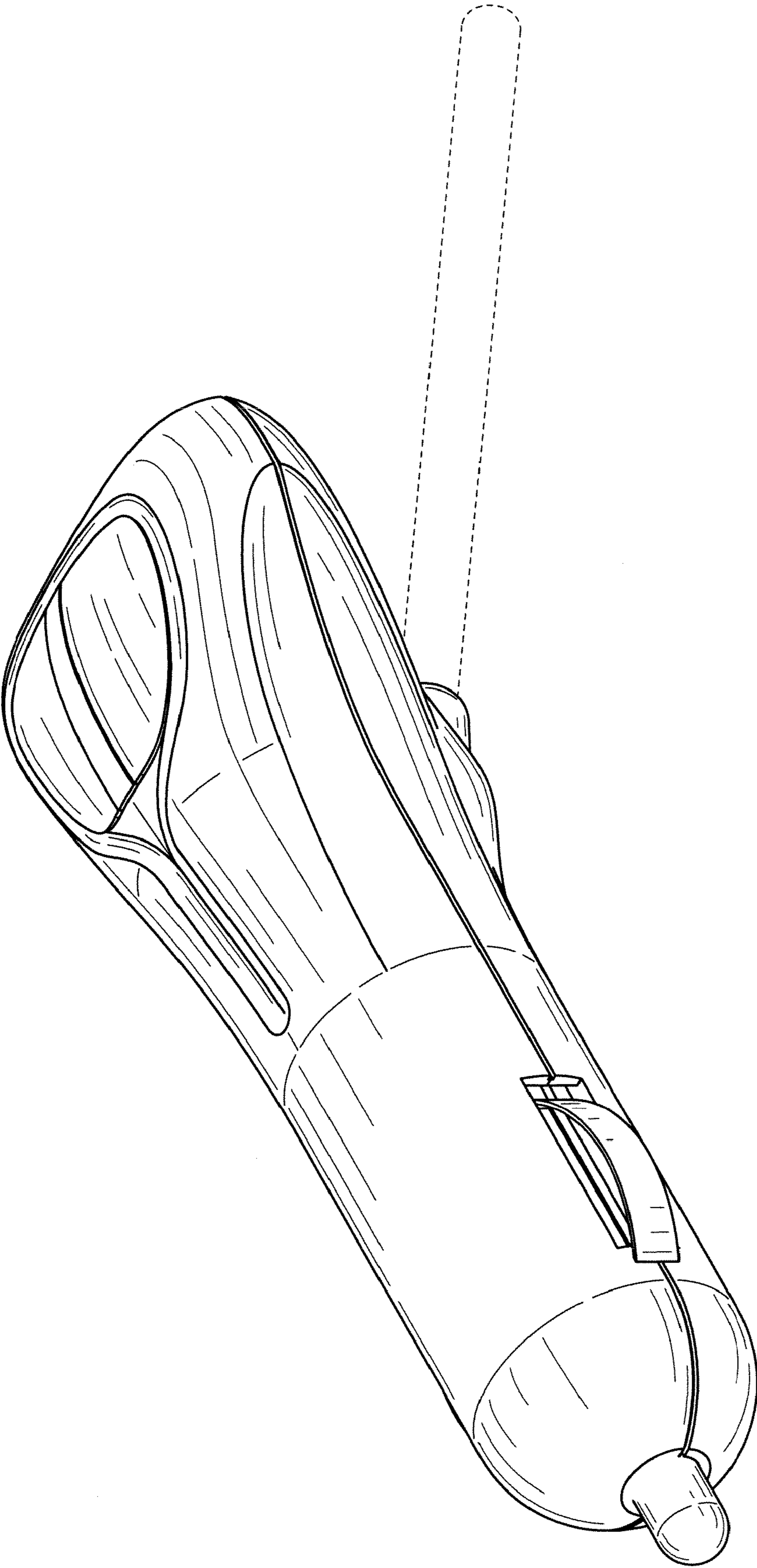


FIG. 1

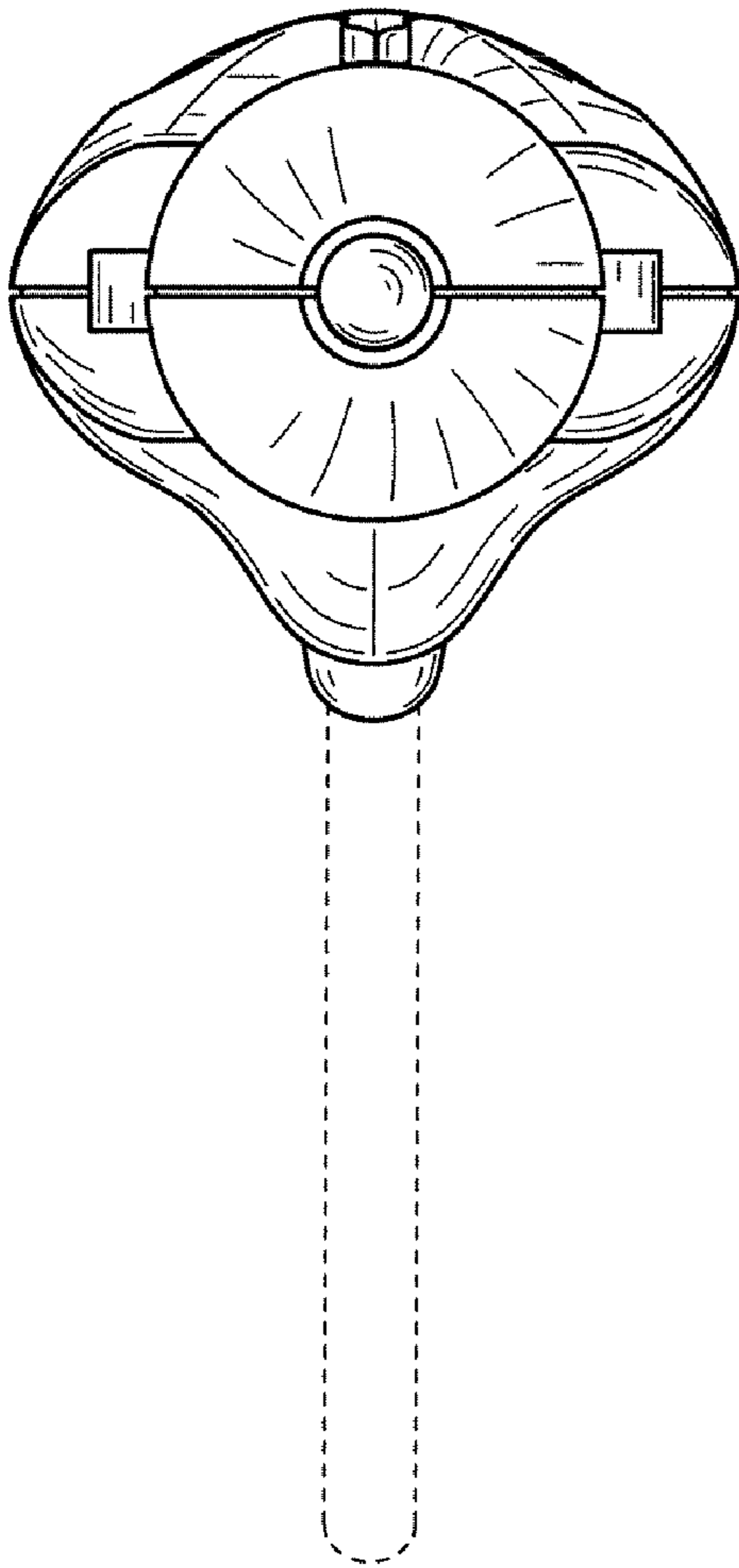


FIG. 2

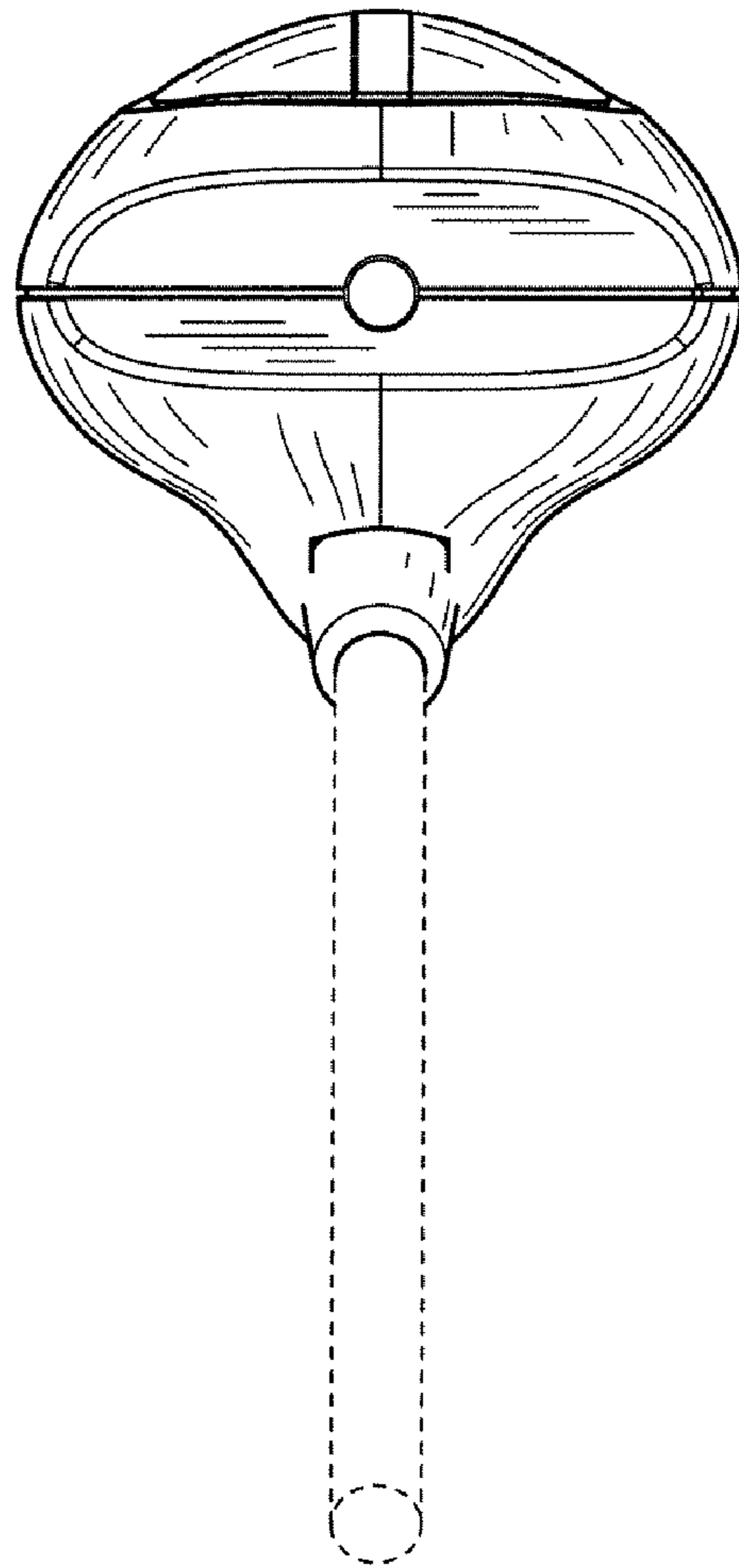


FIG. 3

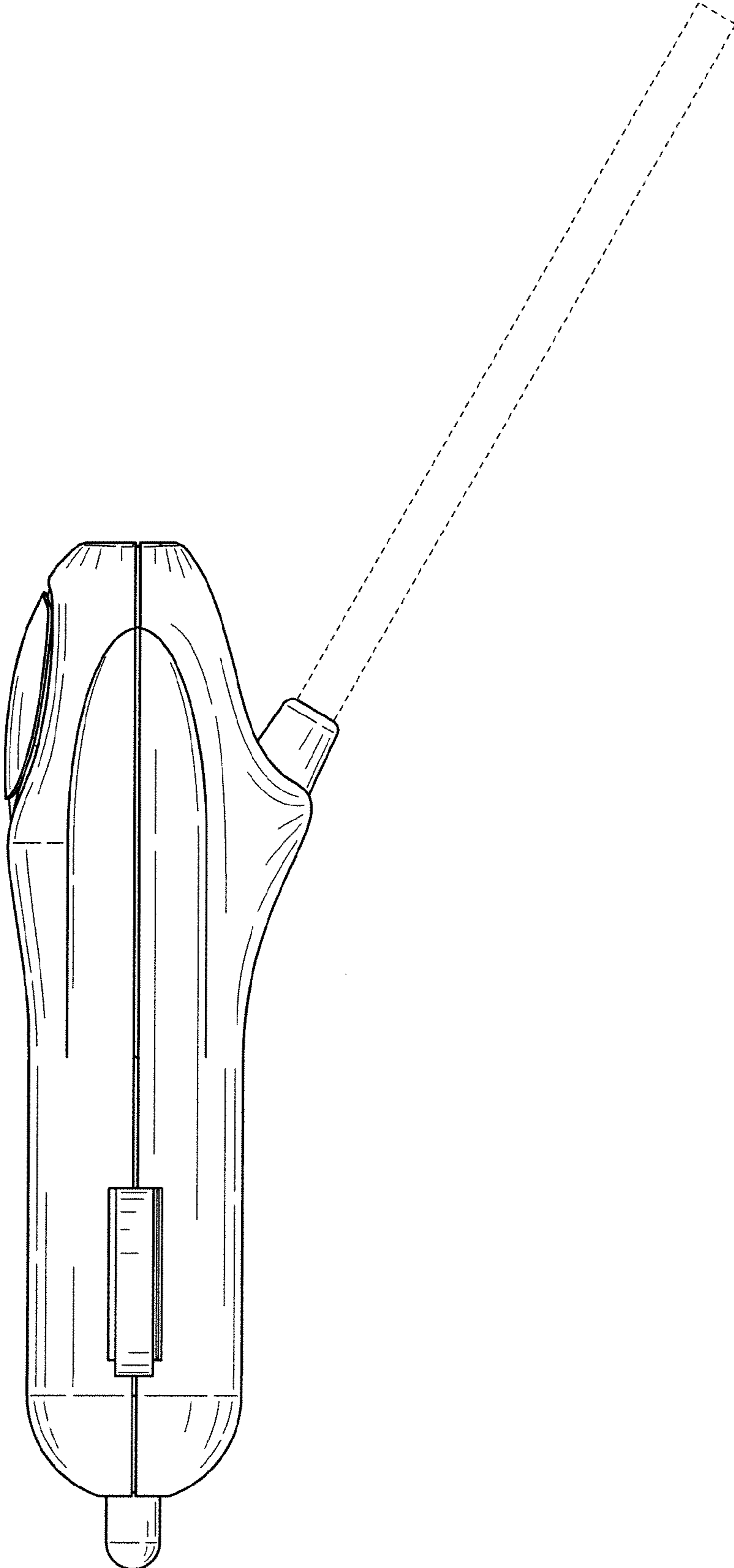


FIG. 4

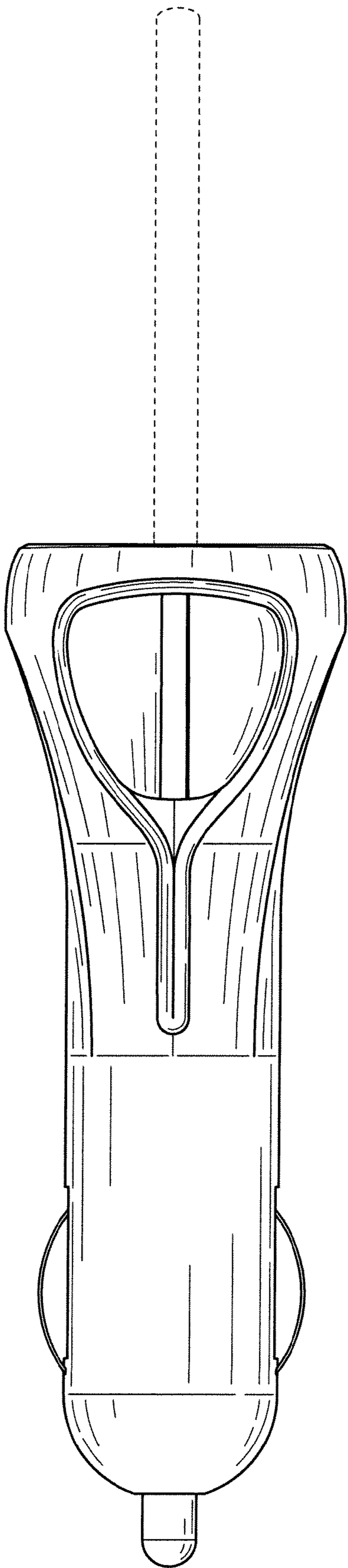


FIG. 5

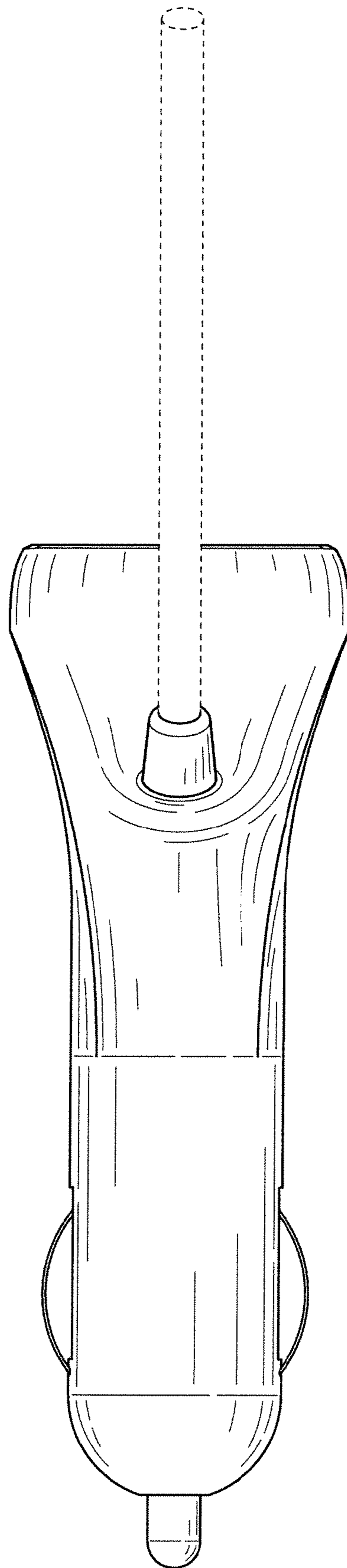


FIG. 6