



US00D609182S

(12) **United States Design Patent**  
**Ladewig et al.**

(10) **Patent No.:** **US D609,182 S**

(45) **Date of Patent:** **\*\* Feb. 2, 2010**

(54) **PLATFORM FOR A POWER DISTRIBUTION BOX**

D539,291 S \* 3/2007 Li et al. .... D14/447  
D547,262 S \* 7/2007 Ullman ..... D13/102  
D580,860 S \* 11/2008 Xi-Ren ..... D13/122

(75) Inventors: **Christopher Ladewig**, Fayetteville, GA (US); **Matthew William Conger**, East Point, GA (US)

**OTHER PUBLICATIONS**

<http://www.gen-tran.com/assets/pdfs/PowerWebRelease.pdf>; Sep. 24, 2007.

<http://www.hubbellcatalog.com/wiring/catalogpages/section-s.pdf>. X-Treme Box Product Bulletin; Coleman Cable, Inc.; Jul. 1, 2008.

<http://ericson.thomasnet.com/viewitems/power-distribution-centers/-series-oscar-temporary-power-distribution-centers?&forward=1>.

[http://www.northerntool.com/webapp/wcs/stores/servlet/product\\_6970\\_200323702\\_200323702](http://www.northerntool.com/webapp/wcs/stores/servlet/product_6970_200323702_200323702).

\* cited by examiner

(73) Assignee: **Cooper Technologies Company**, Houston, TX (US)

(\*\*) Term: **14 Years**

*Primary Examiner*—Prabhakar Deshmukh

*Assistant Examiner*—Derrick Holland

(74) *Attorney, Agent, or Firm*—King & Spalding LLP

(21) Appl. No.: **29/337,813**

(22) Filed: **May 29, 2009**

(51) **LOC (9) Cl.** ..... **13-02**

(52) **U.S. Cl.** ..... **D13/118**

(58) **Field of Classification Search** ..... D13/118,  
D13/101, 110, 112, 116, 122, 184, 199; D8/349,  
D8/353, 354, 366, 373, 377, 381, 382, 394,  
D8/499; D12/223; D14/224, 251, 299, 447,  
D14/451; 174/50, 50.51, 50.52, 50.54, 51,  
174/520, 559, 58, 63; 211/1.51, 26, 41.12,  
211/49.1

See application file for complete search history.

(57) **CLAIM**

The ornamental design for a platform for a power distribution box, as shown and described.

(56) **References Cited**

**U.S. PATENT DOCUMENTS**

D187,025 S \* 1/1960 Pastor ..... D13/122  
D269,760 S \* 7/1983 Geney ..... D8/382  
4,503,812 A \* 3/1985 Eberhardt ..... 123/2  
D279,283 S \* 6/1985 Tate ..... D13/118  
D283,560 S \* 4/1986 Uchin ..... D3/319  
6,007,353 A \* 12/1999 Webster ..... 439/142  
6,115,236 A \* 9/2000 Jedlitschka et al. .... 361/600  
6,186,468 B1 \* 2/2001 Schlegel ..... 248/678  
D453,143 S \* 1/2002 Jones ..... D13/122  
D488,128 S \* 4/2004 Ho ..... D13/118  
D513,492 S \* 1/2006 Redfield ..... D13/122

**DESCRIPTION**

FIG. 1 is a perspective view of a platform for a power distribution box, showing our new design;

FIG. 2 is a front elevation view thereof;

FIG. 3 is a rear elevation view thereof;

FIG. 4 is a left-side elevation view thereof;

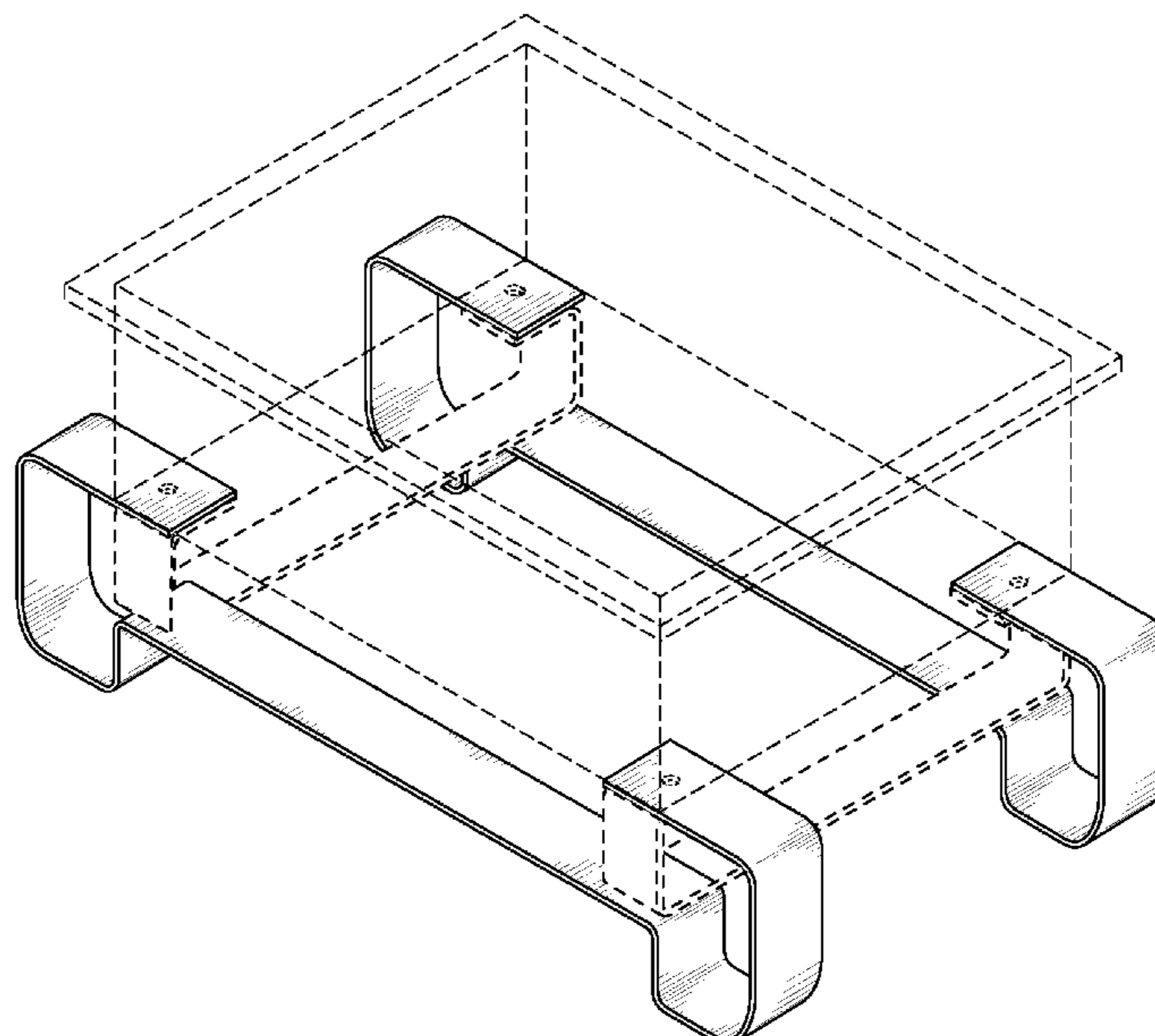
FIG. 5 is a right-side elevation view thereof;

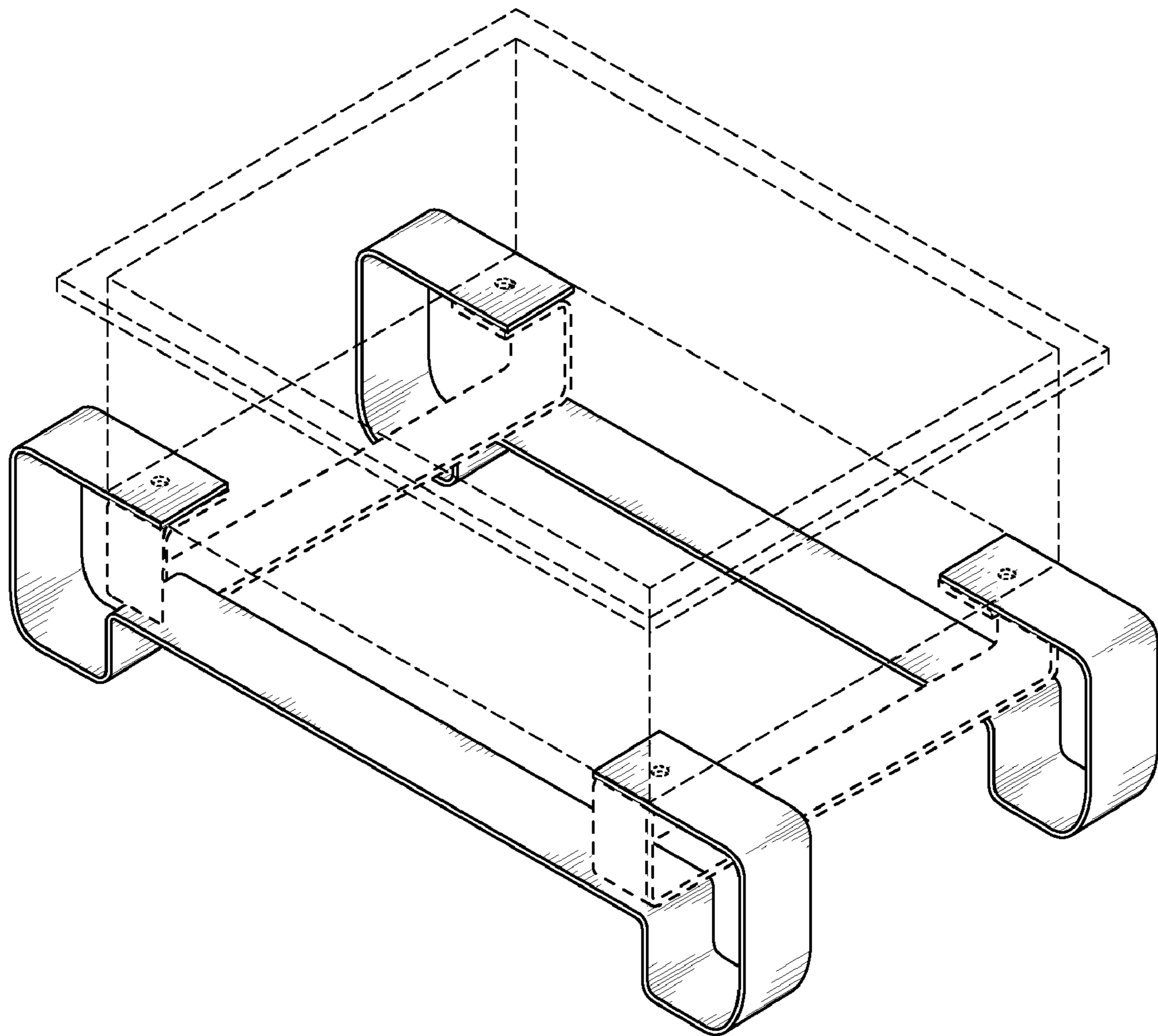
FIG. 6 is a top plan view thereof; and,

FIG. 7 is a bottom plan view thereof.

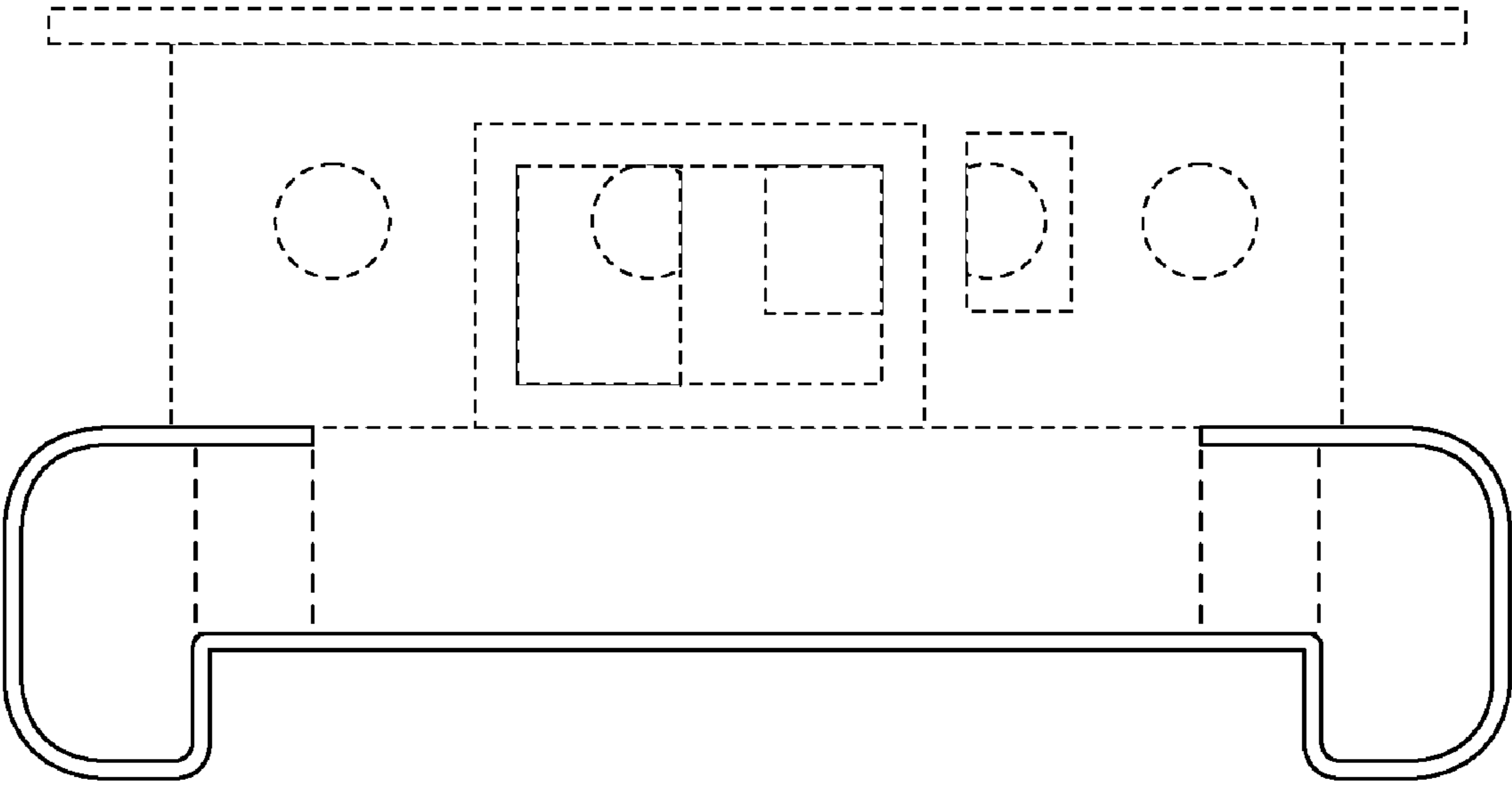
The broken lines shown represent unclaimed subject matter and form no part of the claimed design.

**1 Claim, 4 Drawing Sheets**

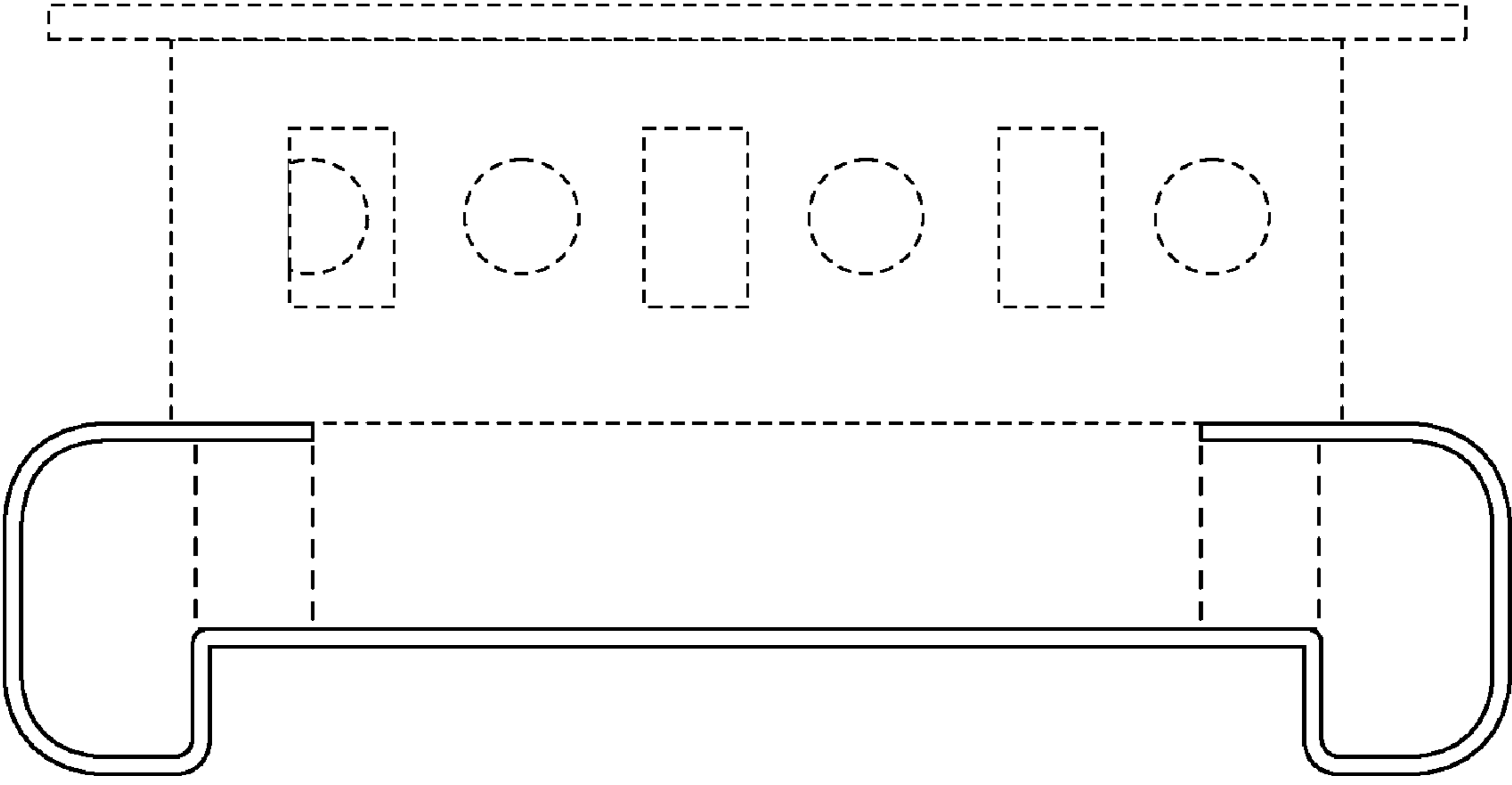




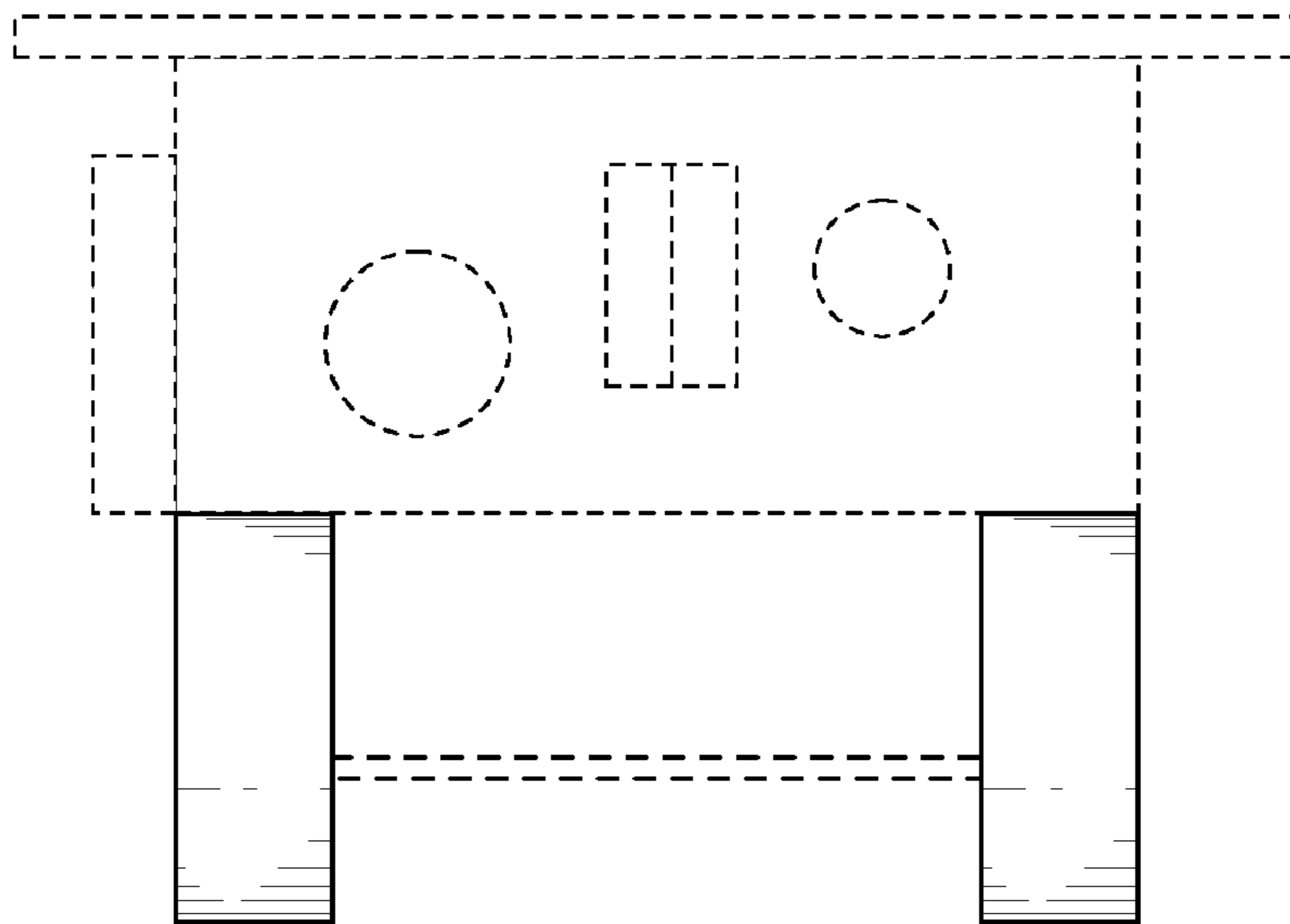
**FIG. 1**



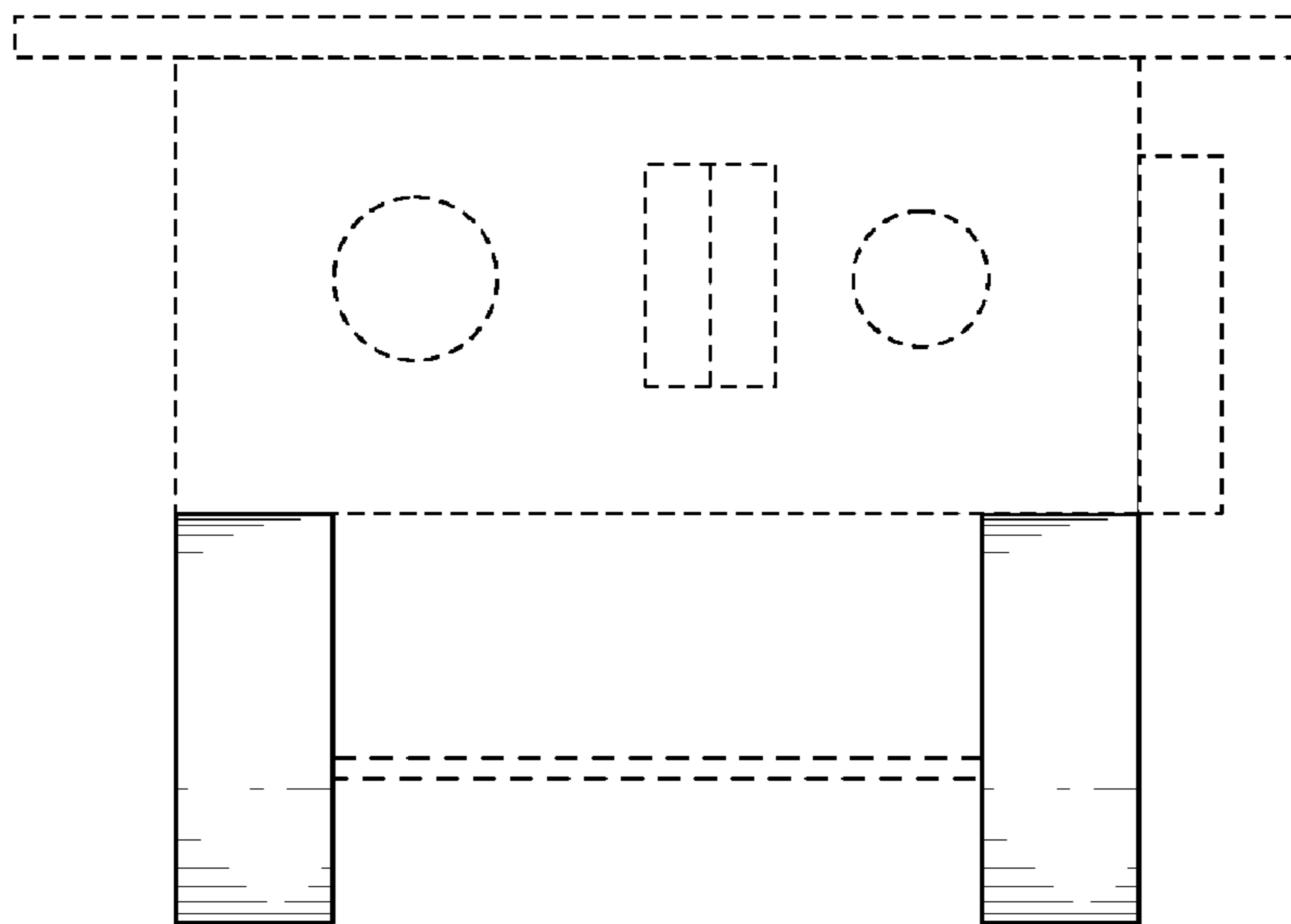
**FIG. 2**



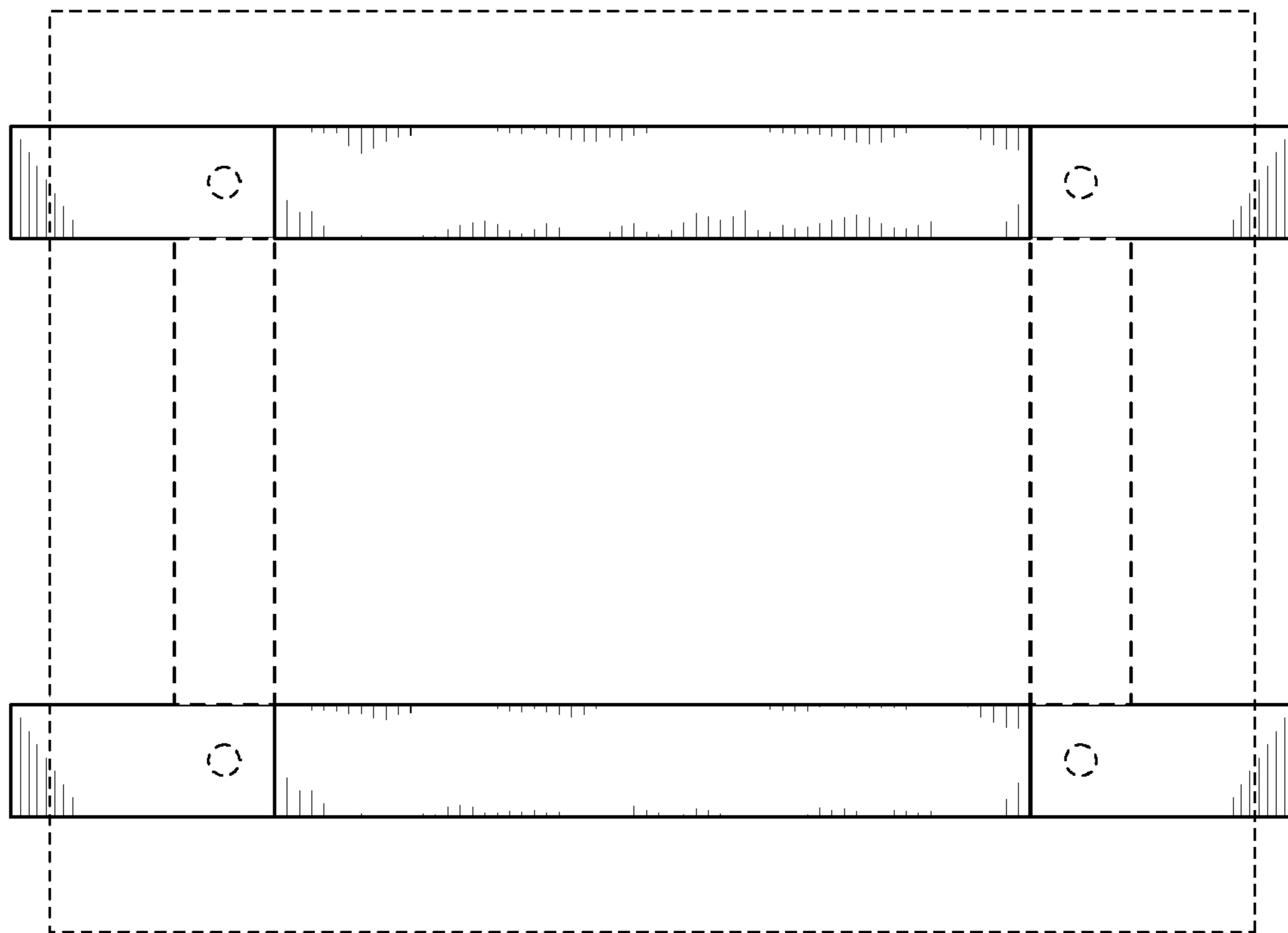
**FIG. 3**



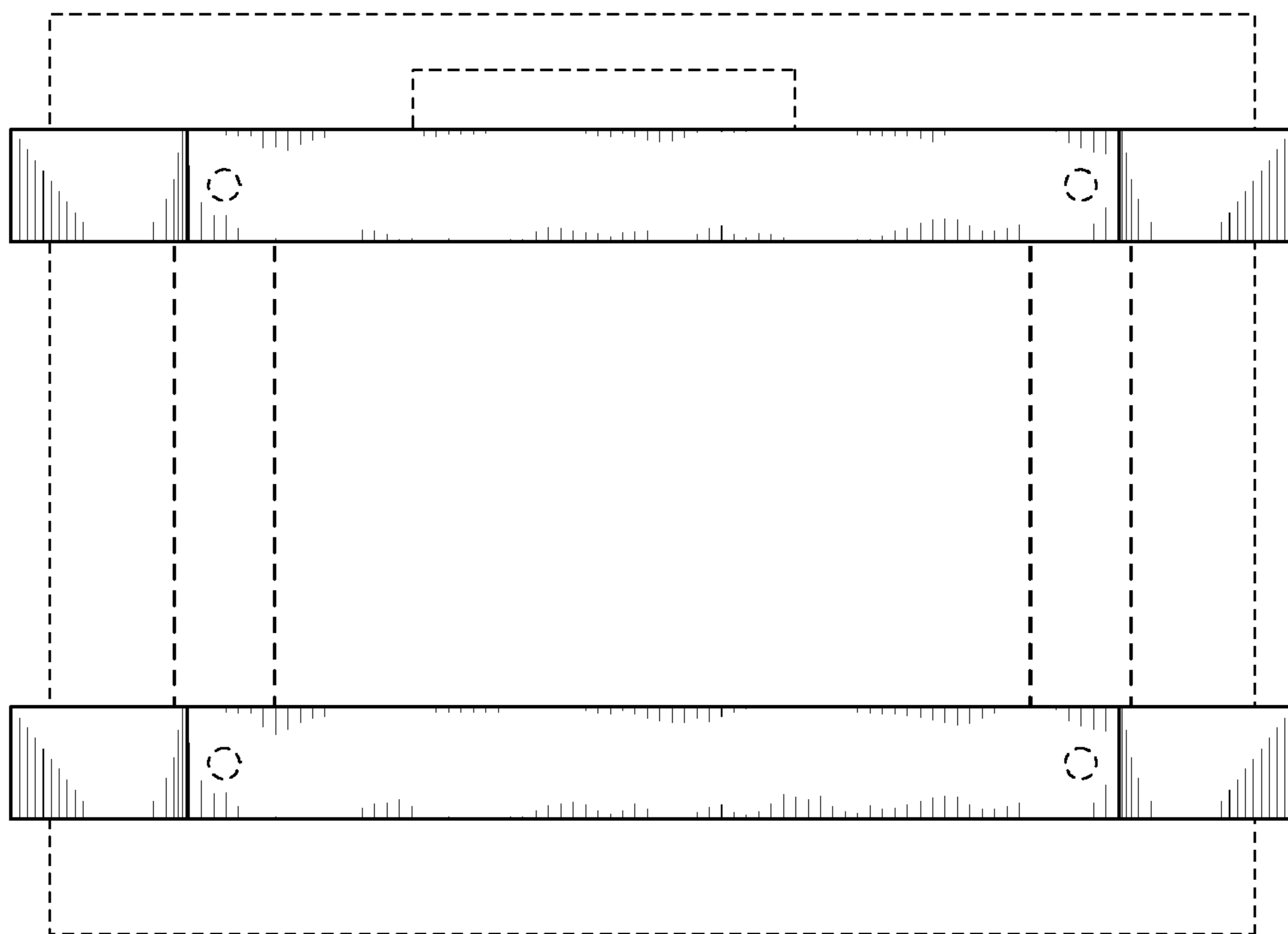
**FIG. 4**



**FIG. 5**



**FIG. 6**



**FIG. 7**