



US00D609181S

(12) **United States Design Patent**
Lannoch

(10) **Patent No.:** **US D609,181 S**
(45) **Date of Patent:** **** Feb. 2, 2010**

(54) **ELECTRIC MOTOR DEVICE**

(75) Inventor: **Hans-Juergen Lannoch**,
Linkenheim-Hochstetten (DE)

(73) Assignee: **Sew-EuroDrive GmbH & Co., KG**,
Bruchsal (DE)

(**) Term: **14 Years**

(21) Appl. No.: **29/334,564**

(22) Filed: **Mar. 27, 2009**

Related U.S. Application Data

(62) Division of application No. 29/235,806, filed on Aug. 3, 2005, now Pat. No. Des. 593,942.

(30) **Foreign Application Priority Data**

Feb. 4, 2005 (DE) 4 05 00 704

(51) **LOC (9) Cl.** **13-01**

(52) **U.S. Cl.** **D13/112**

(58) **Field of Classification Search** D13/112,
D13/113, 114, 122, 199; D15/3, 5, 199;
74/606 R, 609; 310/10, 40 R, 42, 51, 58,
310/71, 85, 89, 91, 109, 236, 239, 254; 318/245,
318/255

See application file for complete search history.

(56) **References Cited**

U.S. PATENT DOCUMENTS

D137,665 S 4/1944 Heintz
D140,204 S 1/1945 Lear
D140,211 S * 1/1945 Lear D13/112
D140,493 S 2/1945 Wehner
D141,554 S 6/1945 Lear

D207,401 S 4/1967 Andrews et al.
D297,426 S * 8/1988 Mabuchi D13/112
4,763,031 A * 8/1988 Wang 310/83
D336,890 S 6/1993 Hirose et al.
D347,619 S * 6/1994 VanHorn et al. D13/113
5,543,671 A 8/1996 Williams
D386,744 S 11/1997 Urvoy
D424,516 S 5/2000 Friedrichsen
D511,138 S 11/2005 Kwan
D516,506 S * 3/2006 Ichimaru et al. D13/112
D525,195 S * 7/2006 Palese D13/112

* cited by examiner

Primary Examiner—Prabhakar Deshmukh

Assistant Examiner—Derrick Holland

(74) *Attorney, Agent, or Firm*—Kenyon & Kenyon LLP

(57) **CLAIM**

The ornamental design for an electric motor device, as shown and described.

DESCRIPTION

FIG. 1 is a perspective view of an electric motor device showing my new design.

FIG. 2 is another perspective view thereof.

FIG. 3 is a front view thereof.

FIG. 4 is a left side view thereof, the right side view being a mirror image of the left side view.

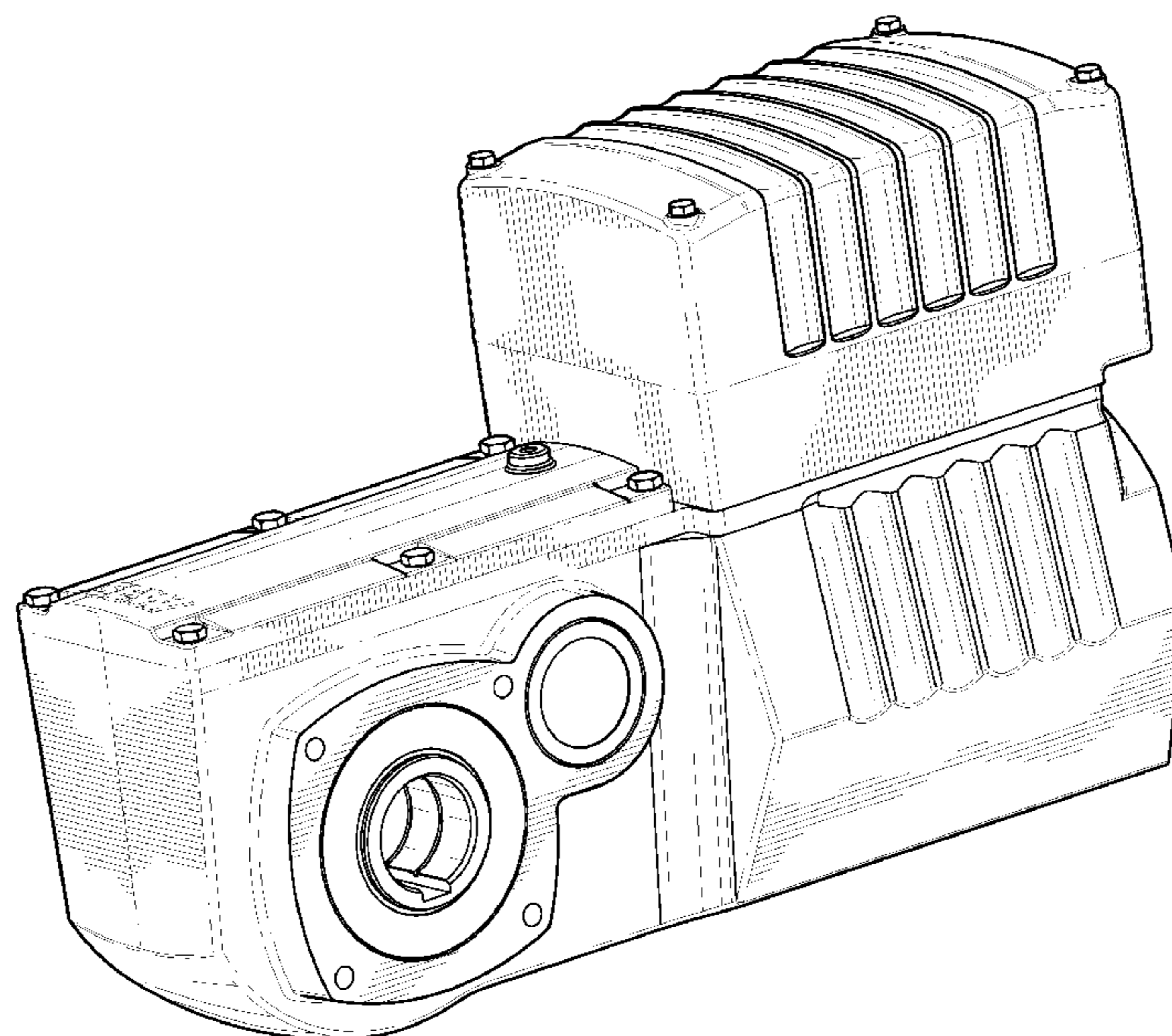
FIG. 5 is a rear view thereof.

FIG. 6 is a top view thereof; and,

FIG. 7 is a bottom view thereof.

The “SEW” logo shown in broken lines represents unclaimed subject matter and forms no part of the claimed design.

1 Claim, 7 Drawing Sheets



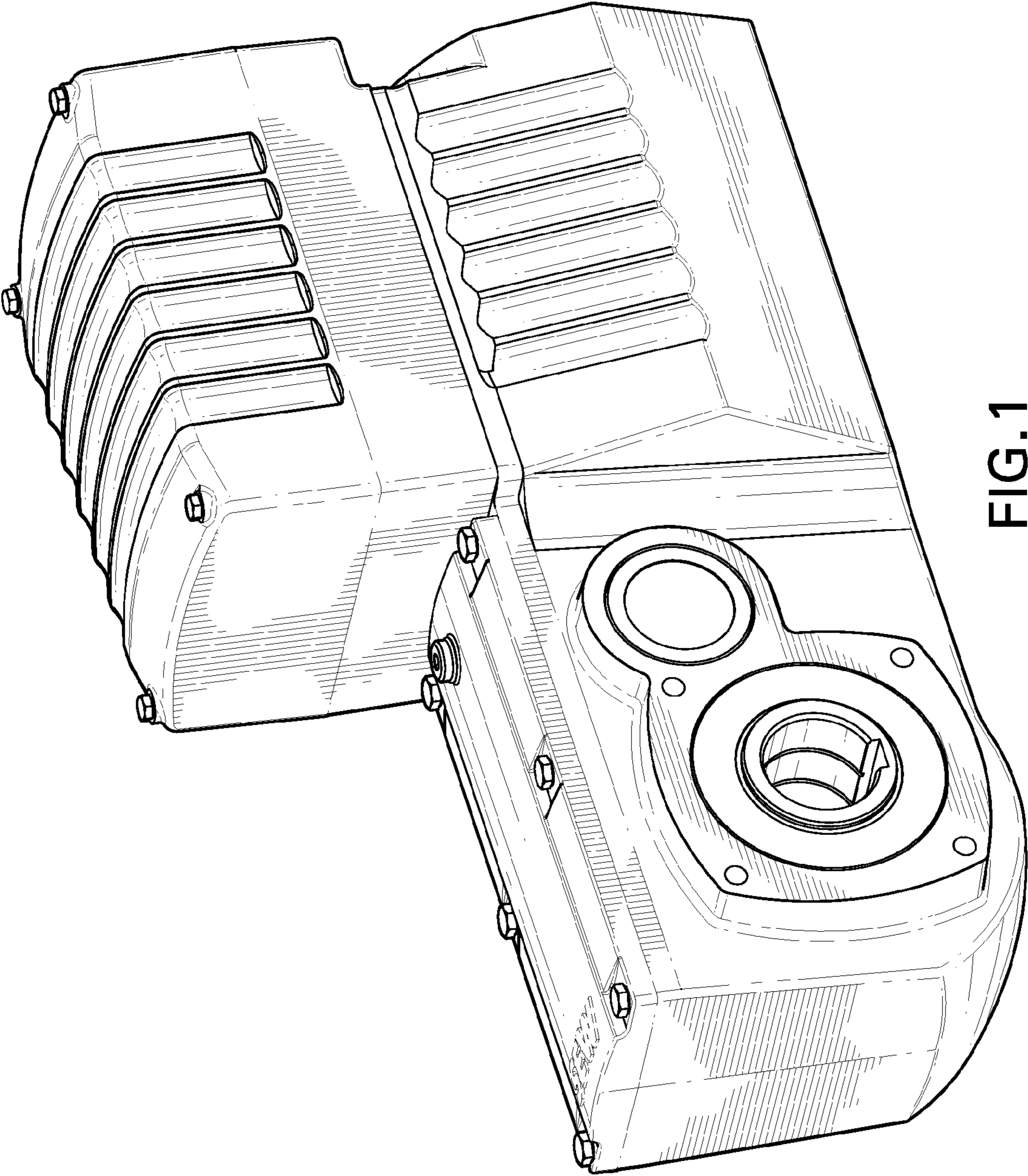


FIG.1

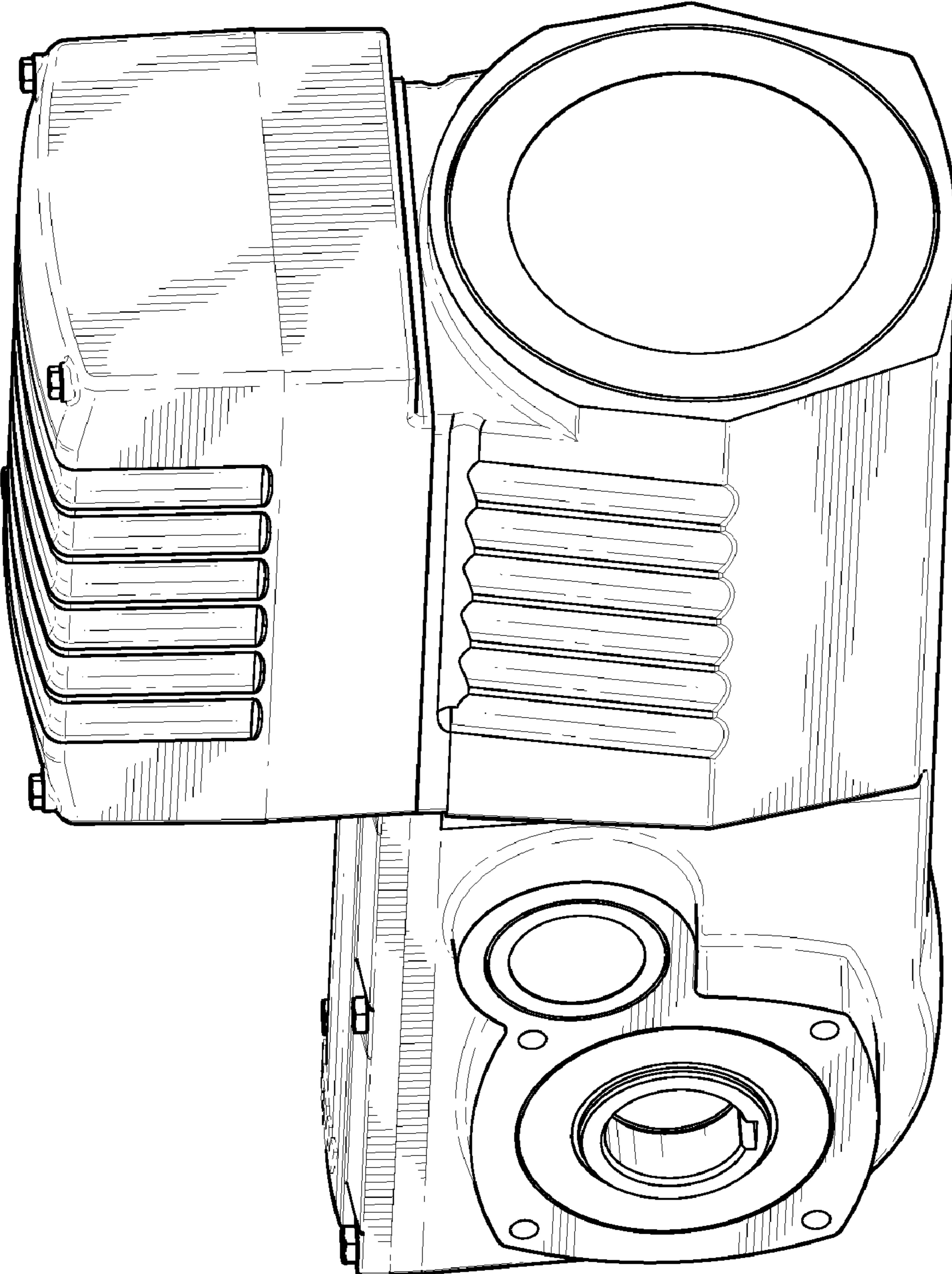


FIG. 2

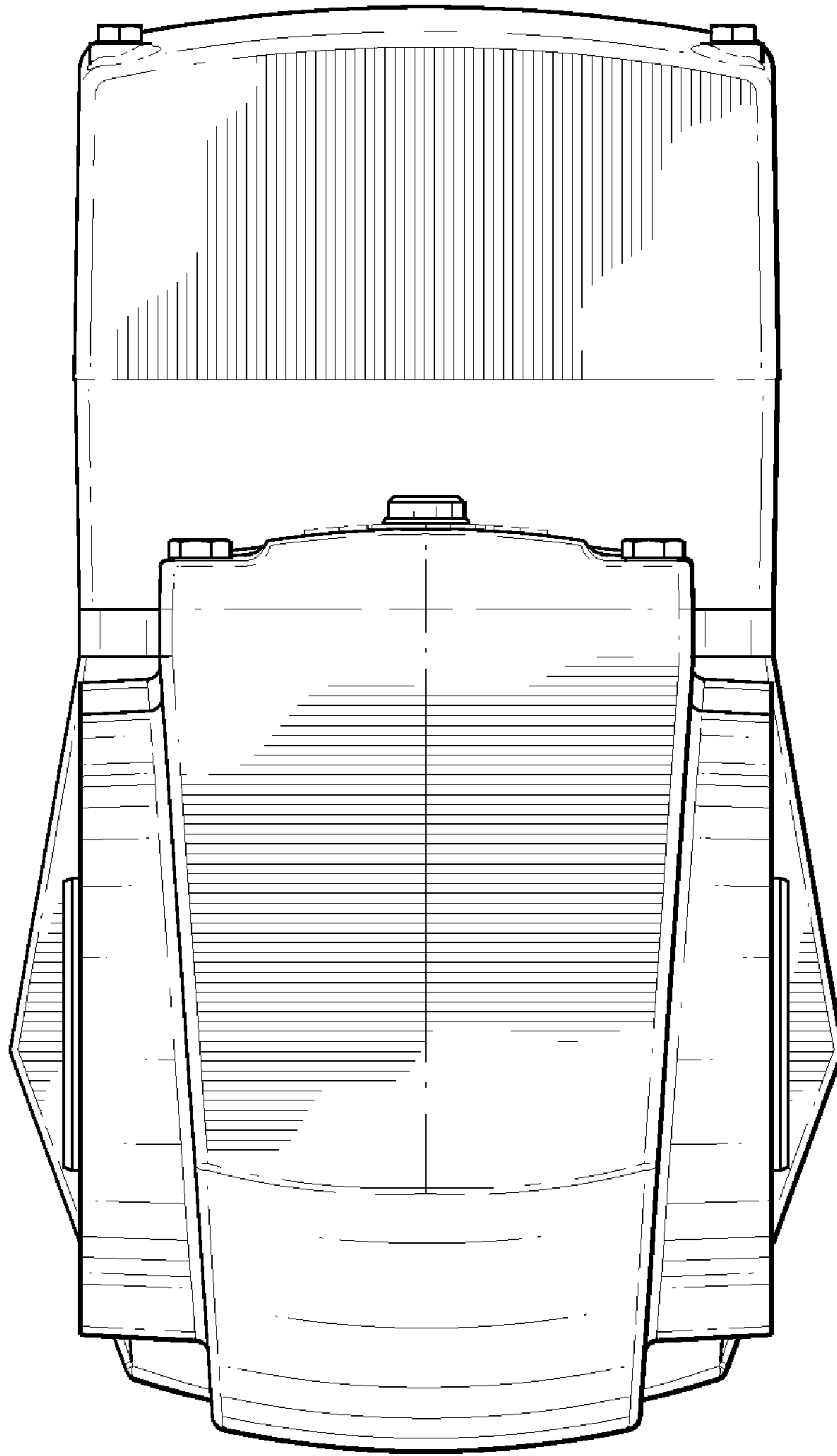


FIG. 3

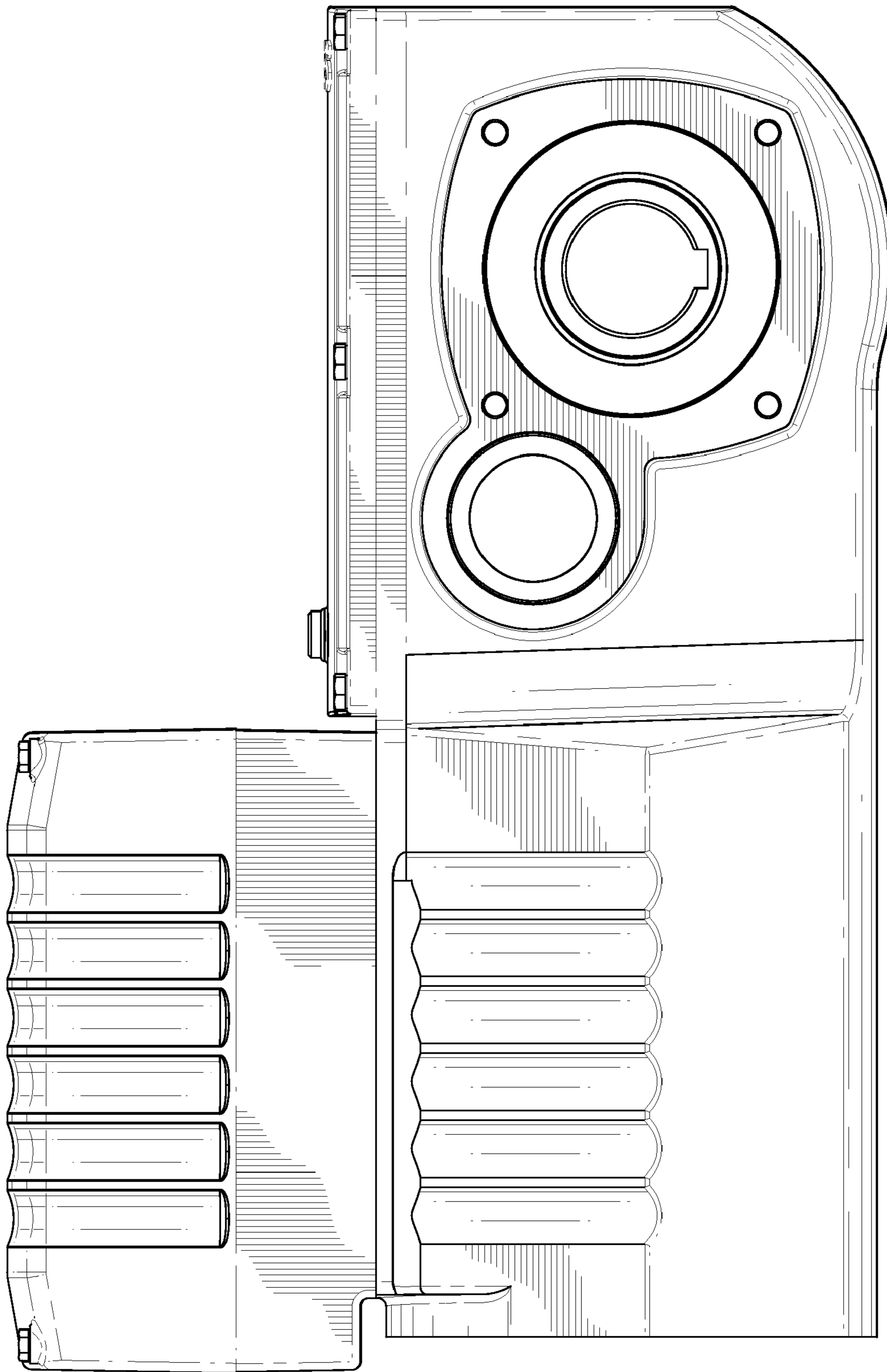


FIG.4

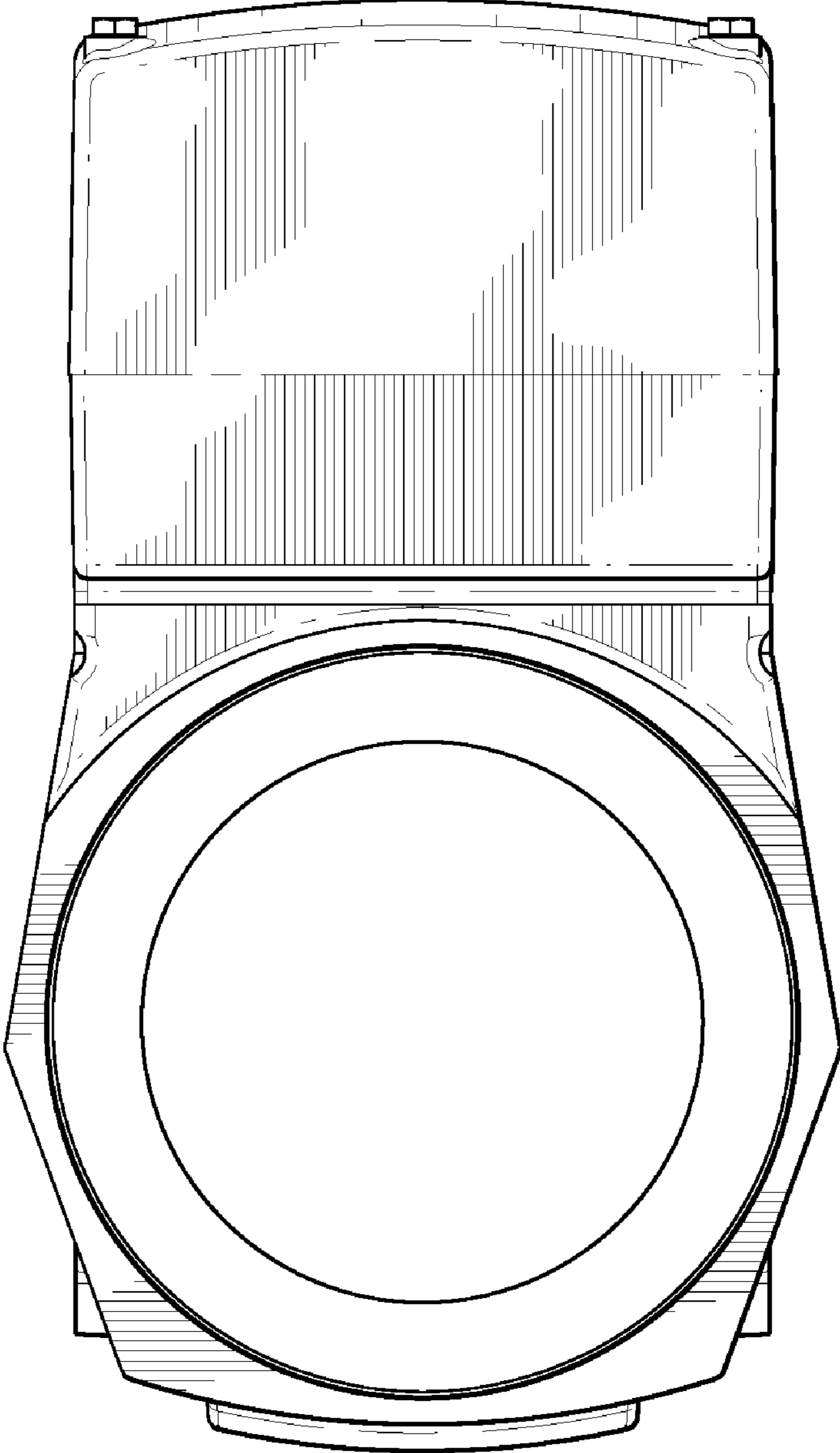


FIG. 5

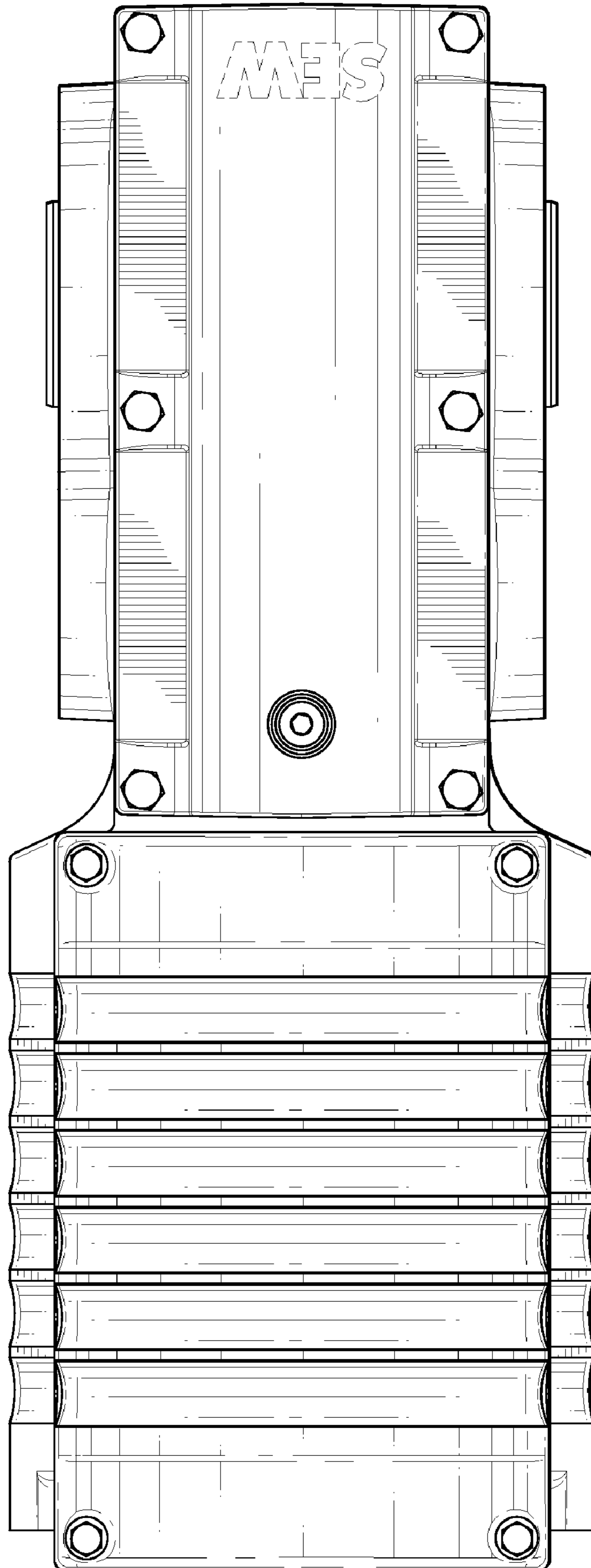


FIG. 6

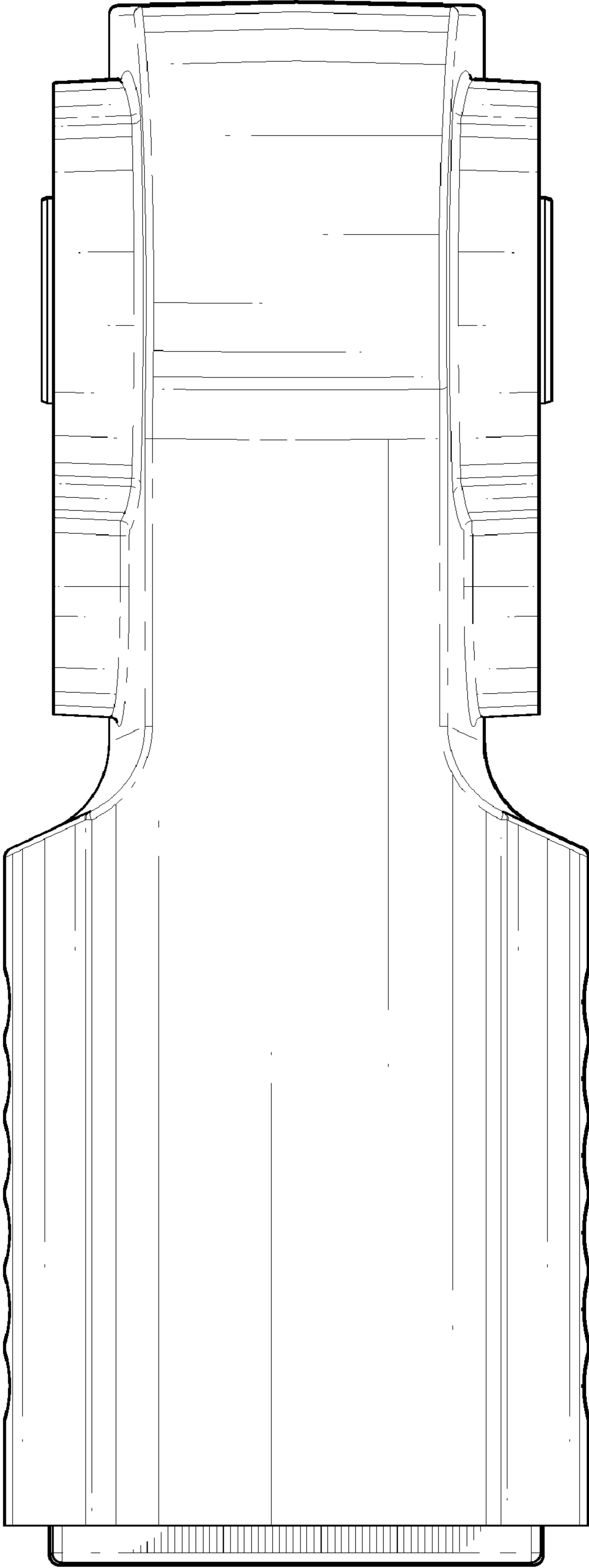


FIG. 7