

US00D609180S

(12) **United States Design Patent**
Suzuki et al.

(10) **Patent No.:** **US D609,180 S**

(45) **Date of Patent:** **** Feb. 2, 2010**

(54) **POWER INVERTER**

(75) Inventors: **Hideyo Suzuki**, Hitachinaka (JP);
Fusanori Nishikimi, Hitachinaka (JP)

(73) Assignee: **Hitachi, Ltd.**, Tokyo (JP)

(**) Term: **14 Years**

(21) Appl. No.: **29/311,340**

(22) Filed: **Feb. 26, 2009**

(30) **Foreign Application Priority Data**

Sep. 1, 2008 (JP) 2008-022446

(51) **LOC (9) Cl.** **13-02**

(52) **U.S. Cl.** **D13/110**

(58) **Field of Classification Search** D13/110,
D13/122, 123, 184, 199; D15/5; 337/186;
361/600, 601, 702, 730; 363/141, 142
See application file for complete search history.

(56) **References Cited**

U.S. PATENT DOCUMENTS

D413,567 S * 9/1999 Person et al. D13/110
5,949,640 A * 9/1999 Cameron et al. 361/600
D526,614 S * 8/2006 Kajiura D13/110
D538,741 S * 3/2007 Nanda et al. D13/110

D555,088 S * 11/2007 Ohmi D13/110
D559,778 S 1/2008 Tsuzuki et al.
D562,765 S * 2/2008 Tsuzuki et al. D13/110

* cited by examiner

Primary Examiner—Prabhakar Deshmukh

Assistant Examiner—Derrick Holland

(74) *Attorney, Agent, or Firm*—Antonelli, Terry, Stout & Kraus, LLP.

(57) **CLAIM**

We claim the ornamental design for a power inverter, as shown and described.

DESCRIPTION

FIG. 1 is a front, top and left side perspective view of a power inverter showing our new design;

FIG. 2 is a front elevational view thereof;

FIG. 3 is a rear elevational view thereof;

FIG. 4 is a top plan view thereof;

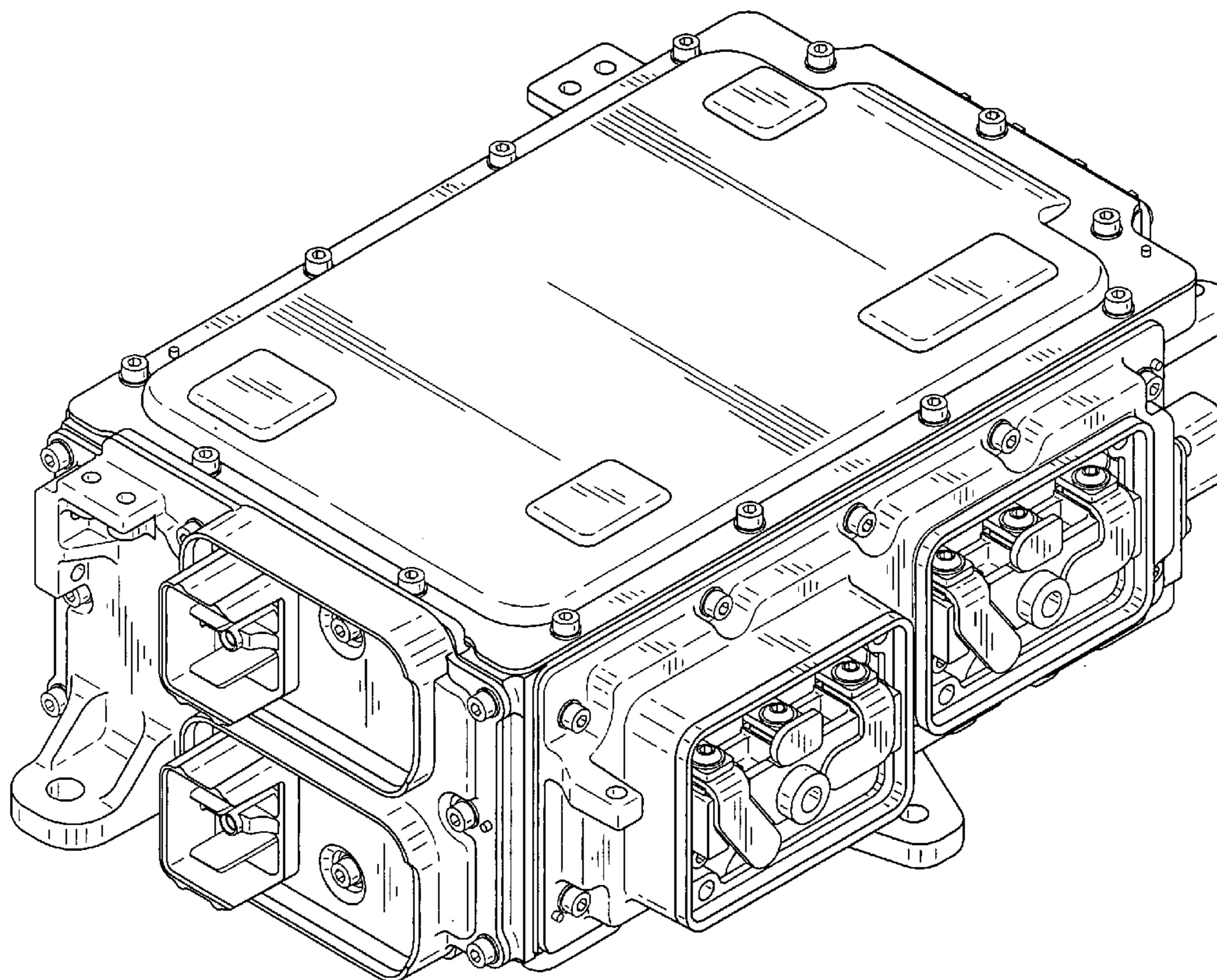
FIG. 5 is a bottom plan view thereof;

FIG. 6 is a left side elevational view thereof; and,

FIG. 7 is a right side elevational view thereof.

The broken lines shown represent unclaimed subject matter and form no part of the claimed design.

1 Claim, 5 Drawing Sheets



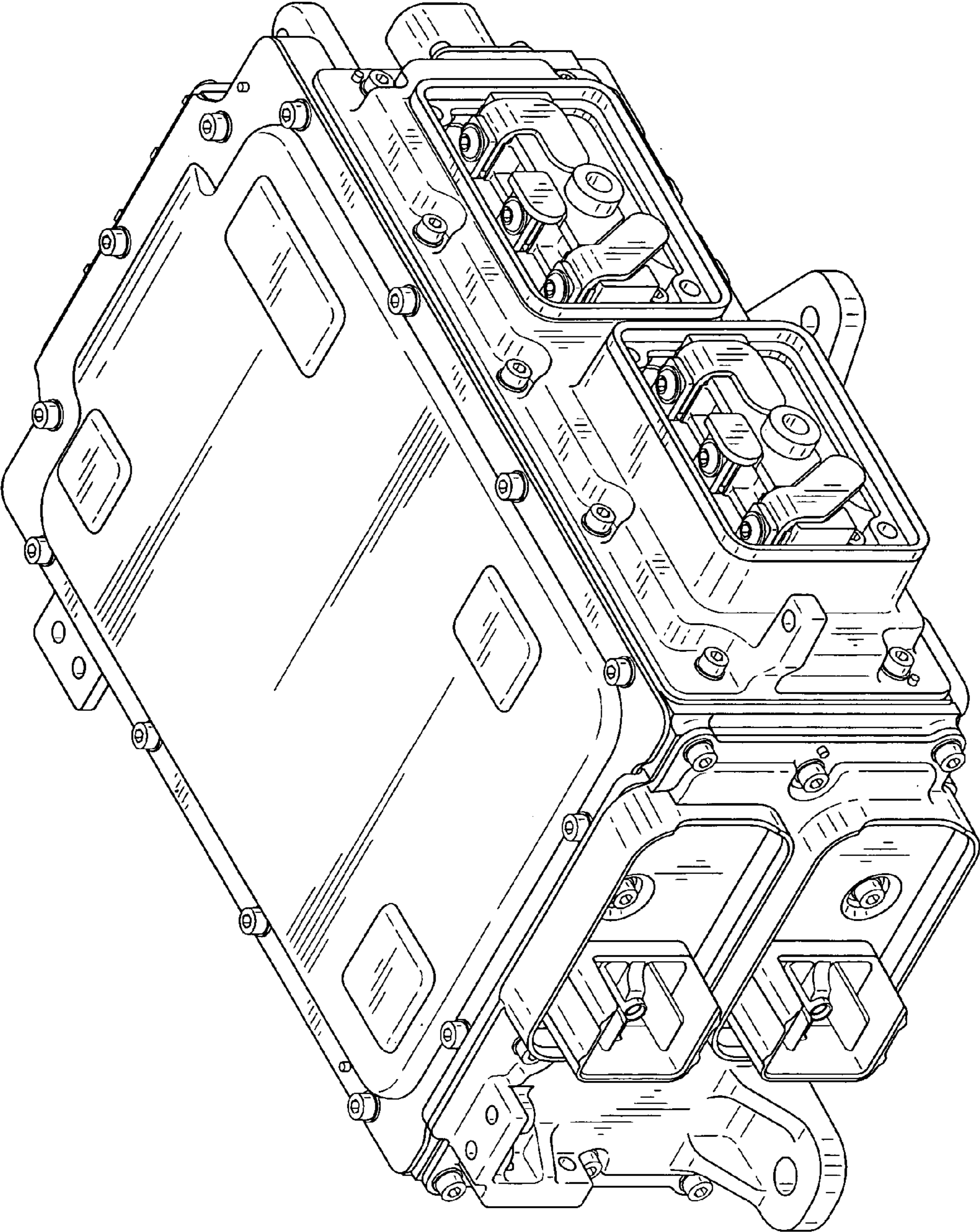


FIG. 1

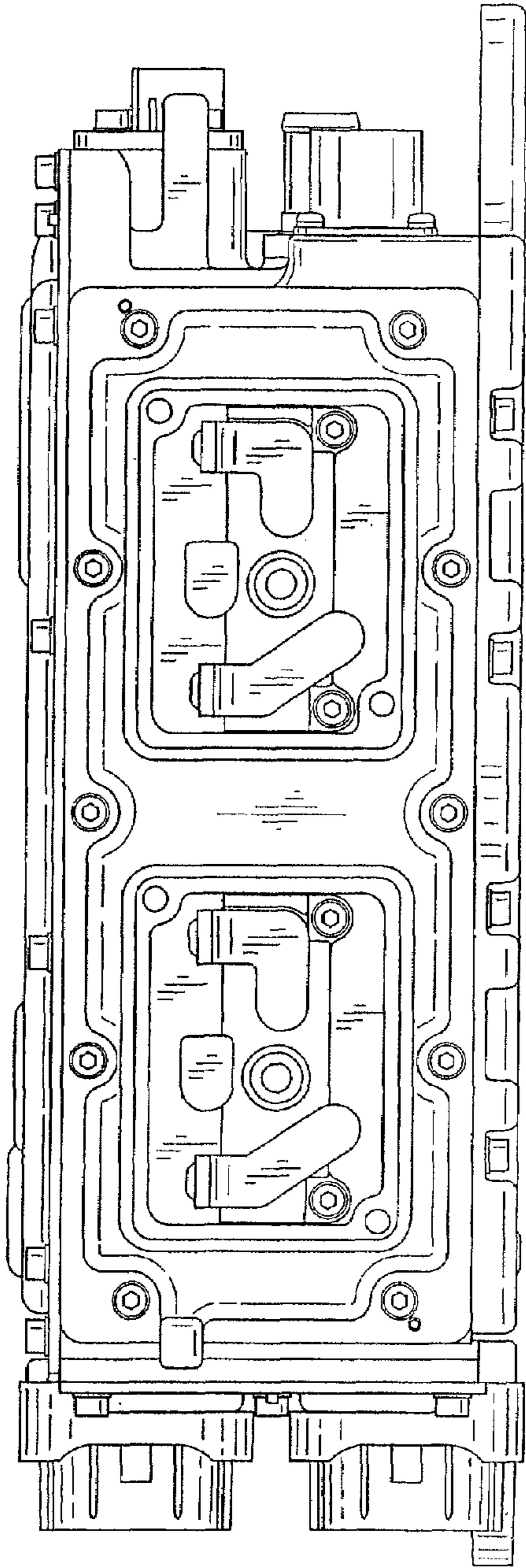


FIG. 2

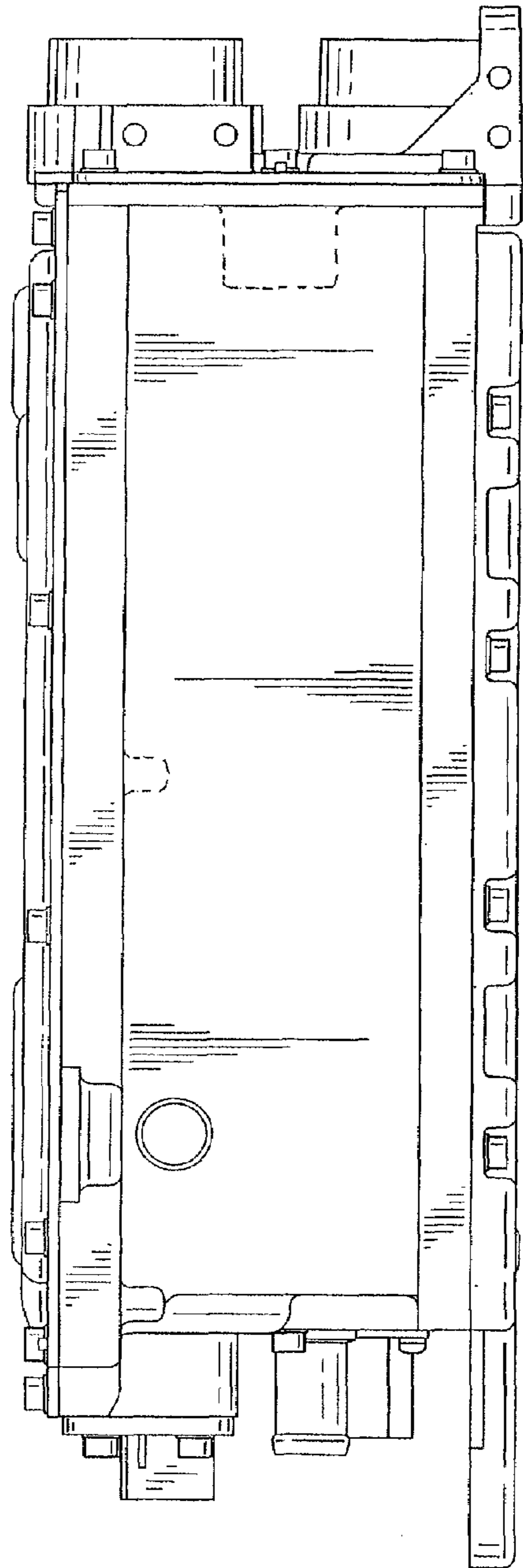


FIG. 3

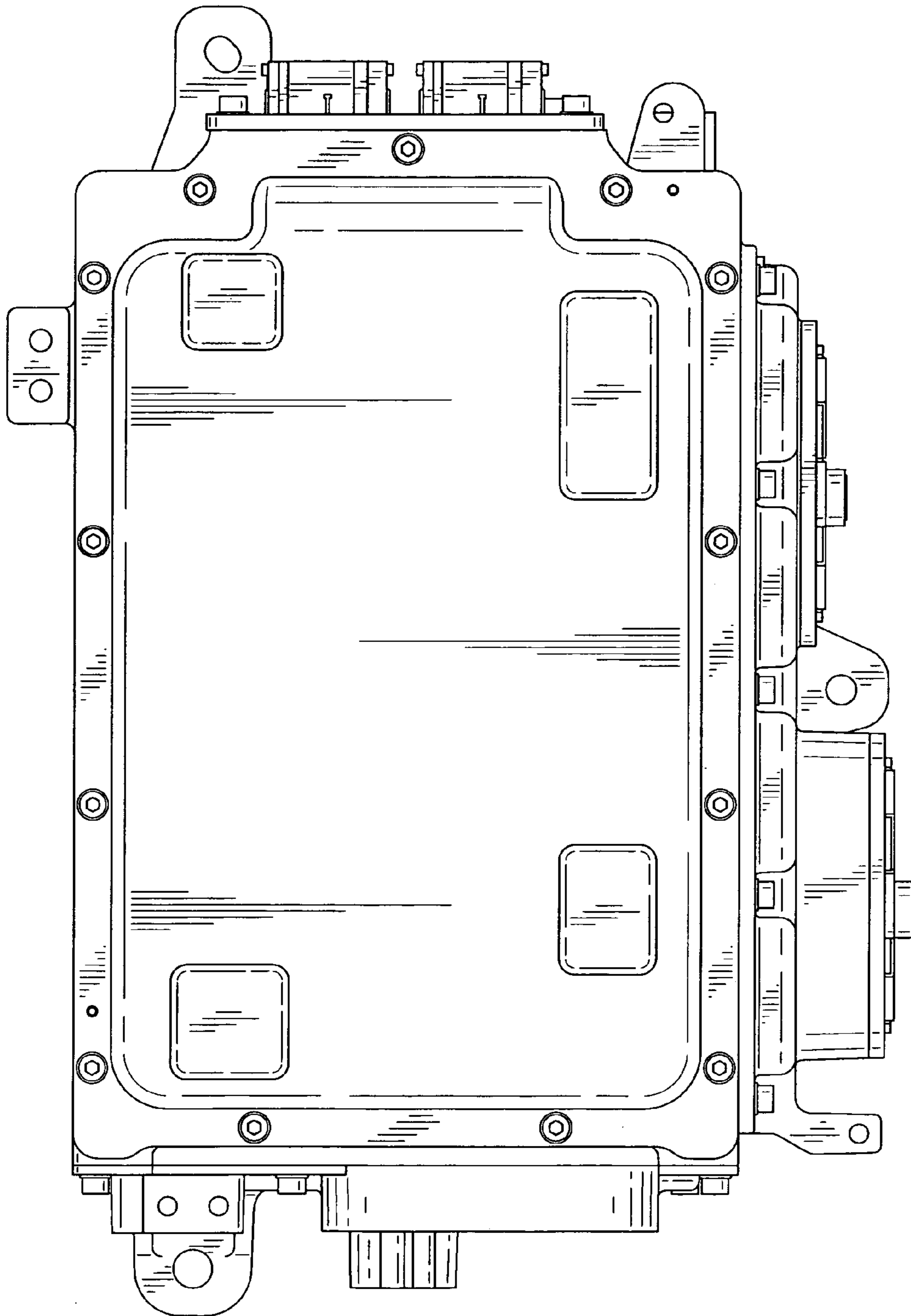


FIG. 4

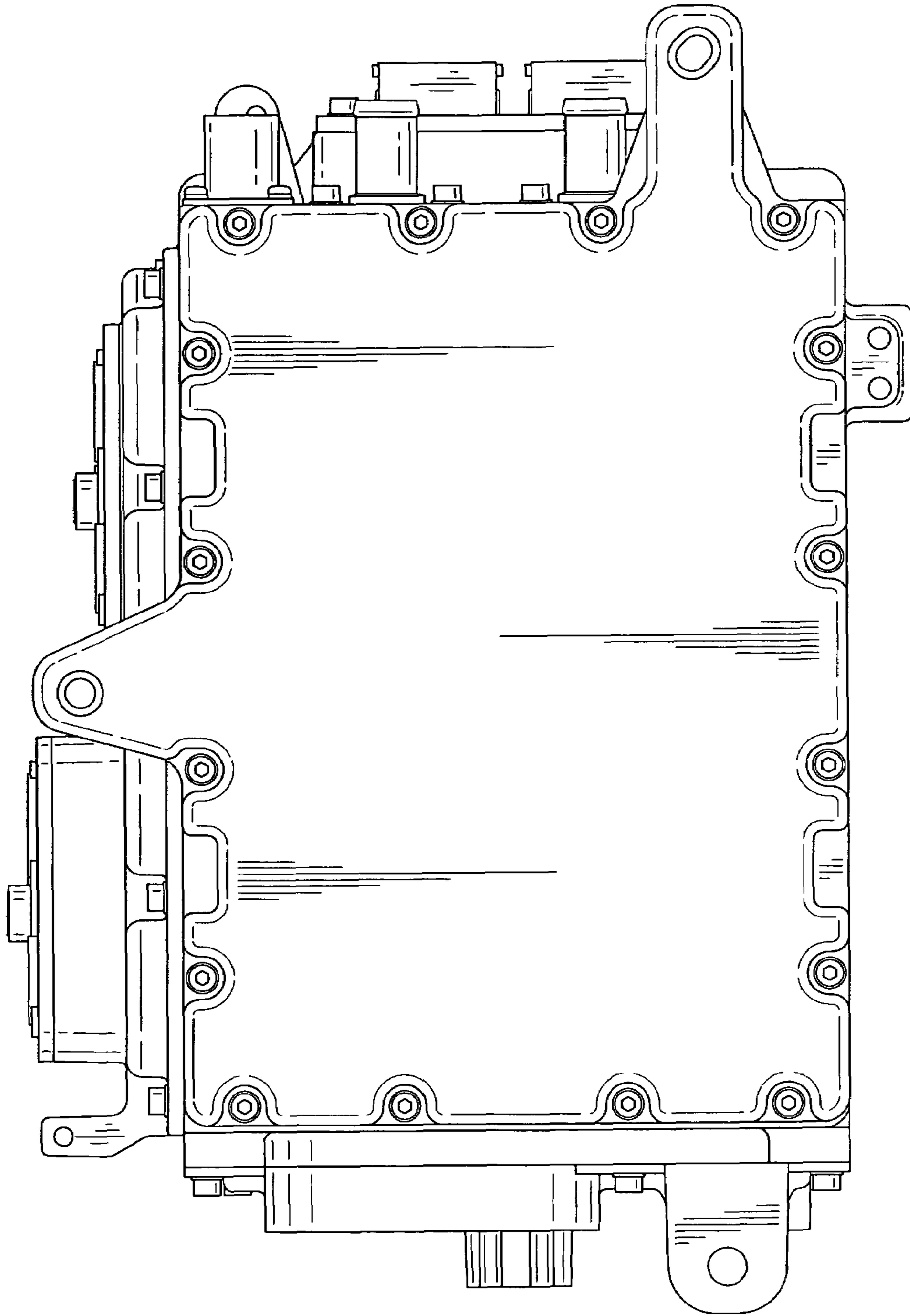


FIG. 5

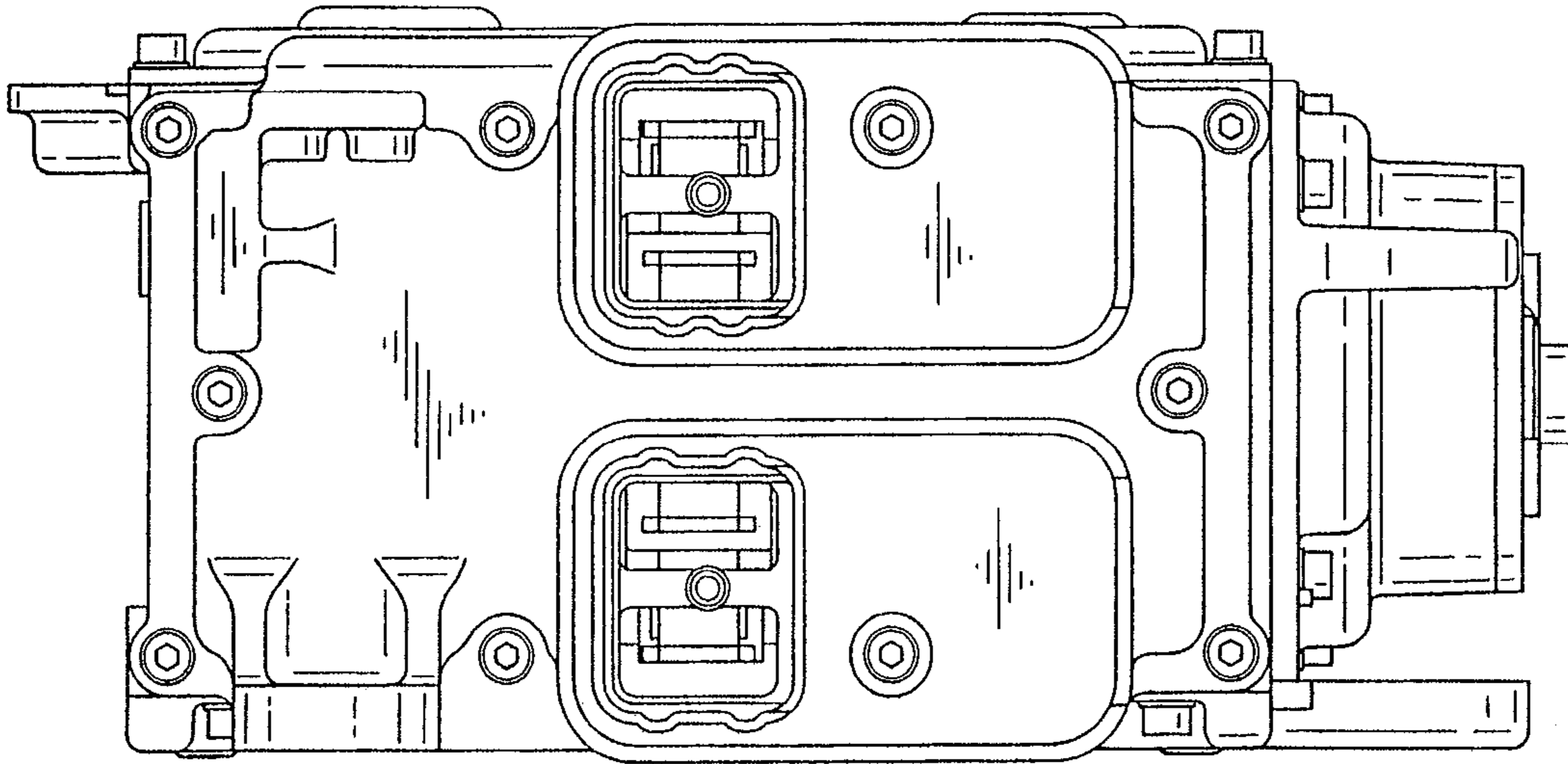


FIG. 6

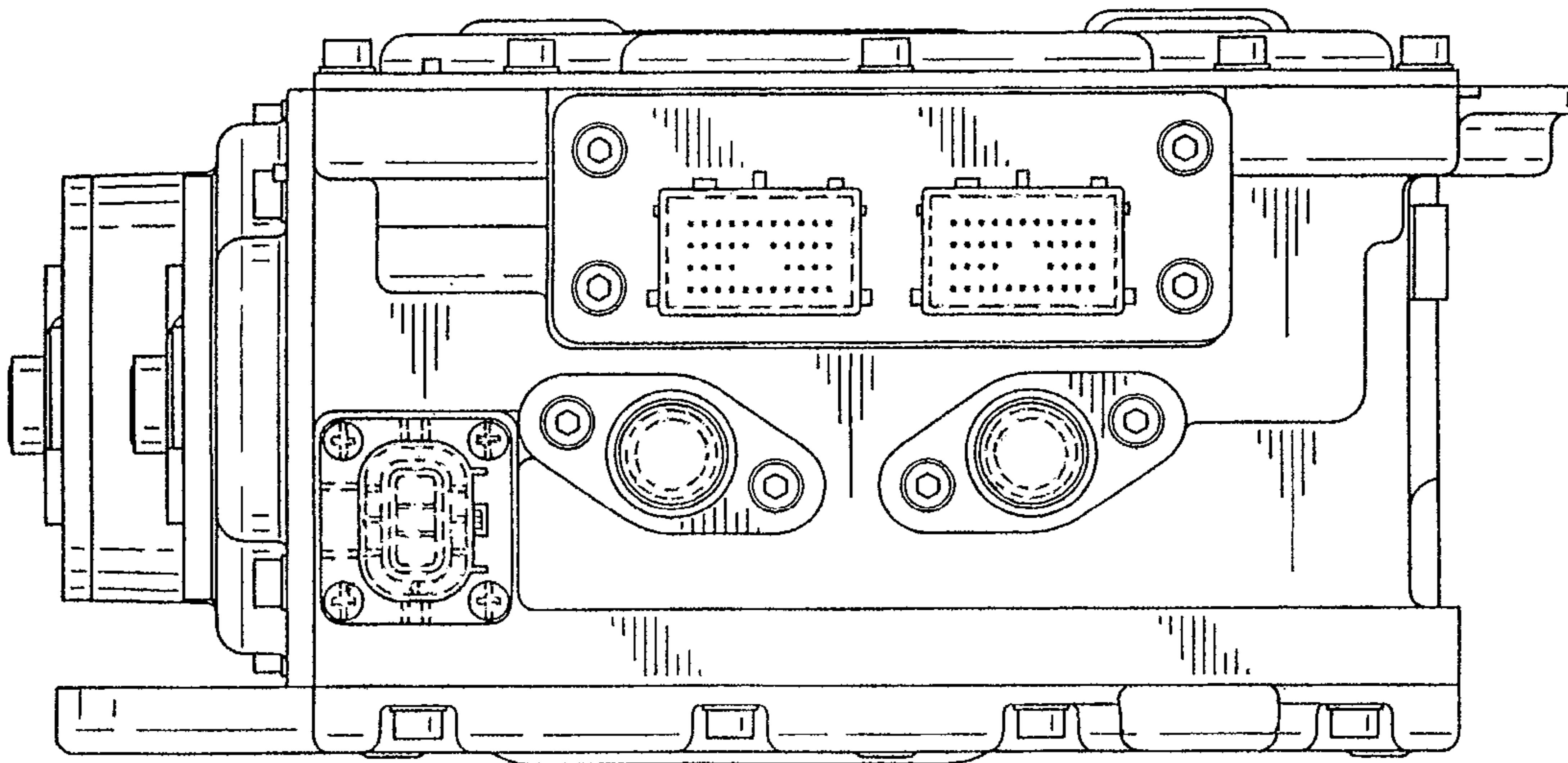


FIG. 7