



US00D609178S

(12) **United States Design Patent**
Mack

(10) **Patent No.:** **US D609,178 S**

(45) **Date of Patent:** **** *Feb. 2, 2010**

(54) **BATTERY**

(75) Inventor: **Robert J. Mack**, Milwaukee, WI (US)

(73) Assignee: **Johnson Controls Technology Company**, Holland, MI (US)

(**) Term: **14 Years**

(21) Appl. No.: **29/320,867**

(22) Filed: **Jul. 7, 2008**

Related U.S. Application Data

(63) Continuation-in-part of application No. 29/320,414, filed on Jun. 26, 2008, and a continuation-in-part of application No. 29/302,068, filed on Jan. 9, 2008, and a continuation-in-part of application No. 29/302,070, filed on Jan. 9, 2008, and a continuation-in-part of application No. 29/302,072, filed on Jan. 9, 2008.

(51) **LOC (9) Cl.** **13-02**

(52) **U.S. Cl.** **D13/104**

(58) **Field of Classification Search** D13/102–106,
D13/110, 118–119, 184; 429/96–100, 163,
429/176

See application file for complete search history.

(56) **References Cited**

U.S. PATENT DOCUMENTS

D252,354 S *	7/1979	Uyeda	D3/302
D298,029 S *	10/1988	Foster	D13/119
D303,373 S *	9/1989	Ching, Jr.	D13/103
D304,926 S *	12/1989	Ching, Jr.	D13/103
D304,927 S *	12/1989	Ching et al.	D13/103
D307,133 S *	4/1990	Ching, Jr.	D13/103
D307,886 S *	5/1990	Ching et al.	D13/103
5,283,137 A *	2/1994	Ching	429/175
5,415,956 A *	5/1995	Ching	429/187
D372,701 S *	8/1996	Tahmassebpur	D13/103
5,599,641 A *	2/1997	Ching et al.	429/179

5,856,037 A *	1/1999	Casale et al.	429/82
5,871,862 A *	2/1999	Olson	429/217
D406,258 S *	3/1999	Segers	D13/103
5,998,062 A *	12/1999	Olson	429/217
6,023,146 A *	2/2000	Casale et al.	320/112
6,025,086 A *	2/2000	Ching	429/82
D450,653 S *	11/2001	Hertel et al.	D13/119
D466,478 S *	12/2002	Bolstad et al.	D13/119
D491,138 S *	6/2004	Minato	D13/104
D499,070 S *	11/2004	Lavington	D13/119
D517,987 S *	3/2006	Castagnola et al.	D13/119
D517,988 S *	3/2006	Ihde et al.	D13/119
D562,229 S *	2/2008	Peters	D13/103
7,332,243 B2 *	2/2008	Cummins et al.	429/163
2005/0069762 A1 *	3/2005	Daley et al.	429/179

OTHER PUBLICATIONS

Photographs of “old” Optima battery with a date stamp of Week 47, 1990.

Optima Batteries brochure entitled “The Ultimate Power Source” dated Mar. 2007.

* cited by examiner

Primary Examiner—Rosemary K Tarcza

(74) *Attorney, Agent, or Firm*—Lathrop & Clark LLP

(57) **CLAIM**

The ornamental design for a battery, as shown and described.

DESCRIPTION

FIG. 1 is a top perspective view of a battery according to an exemplary embodiment;

FIG. 2 is a top plan view thereof;

FIG. 3 is a first side elevation view thereof;

FIG. 4 is a second side elevation view thereof;

FIG. 5 is a first end elevation view thereof; and,

FIG. 6 is a second end elevation view thereof.

1 Claim, 6 Drawing Sheets

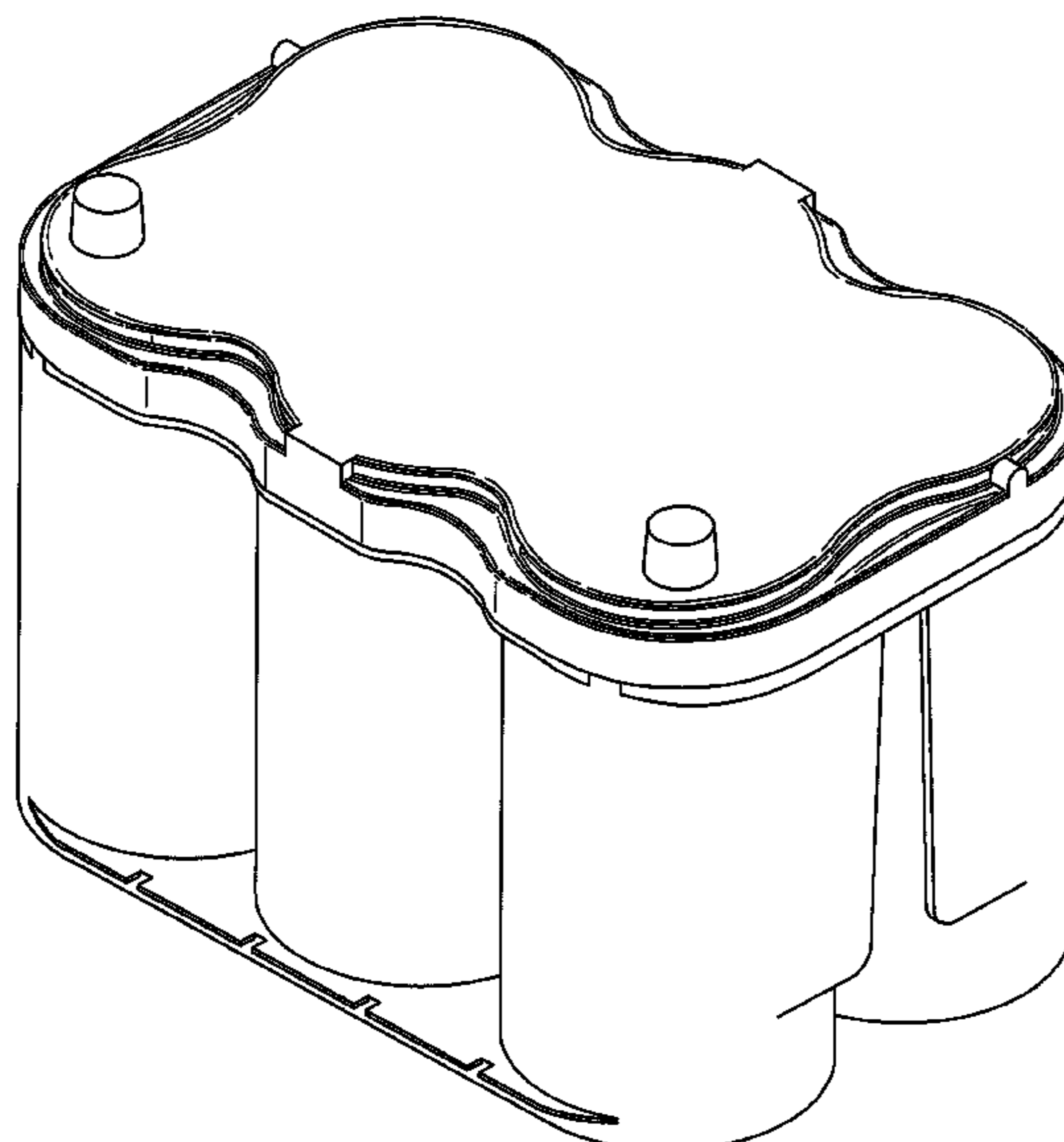


FIG. 1

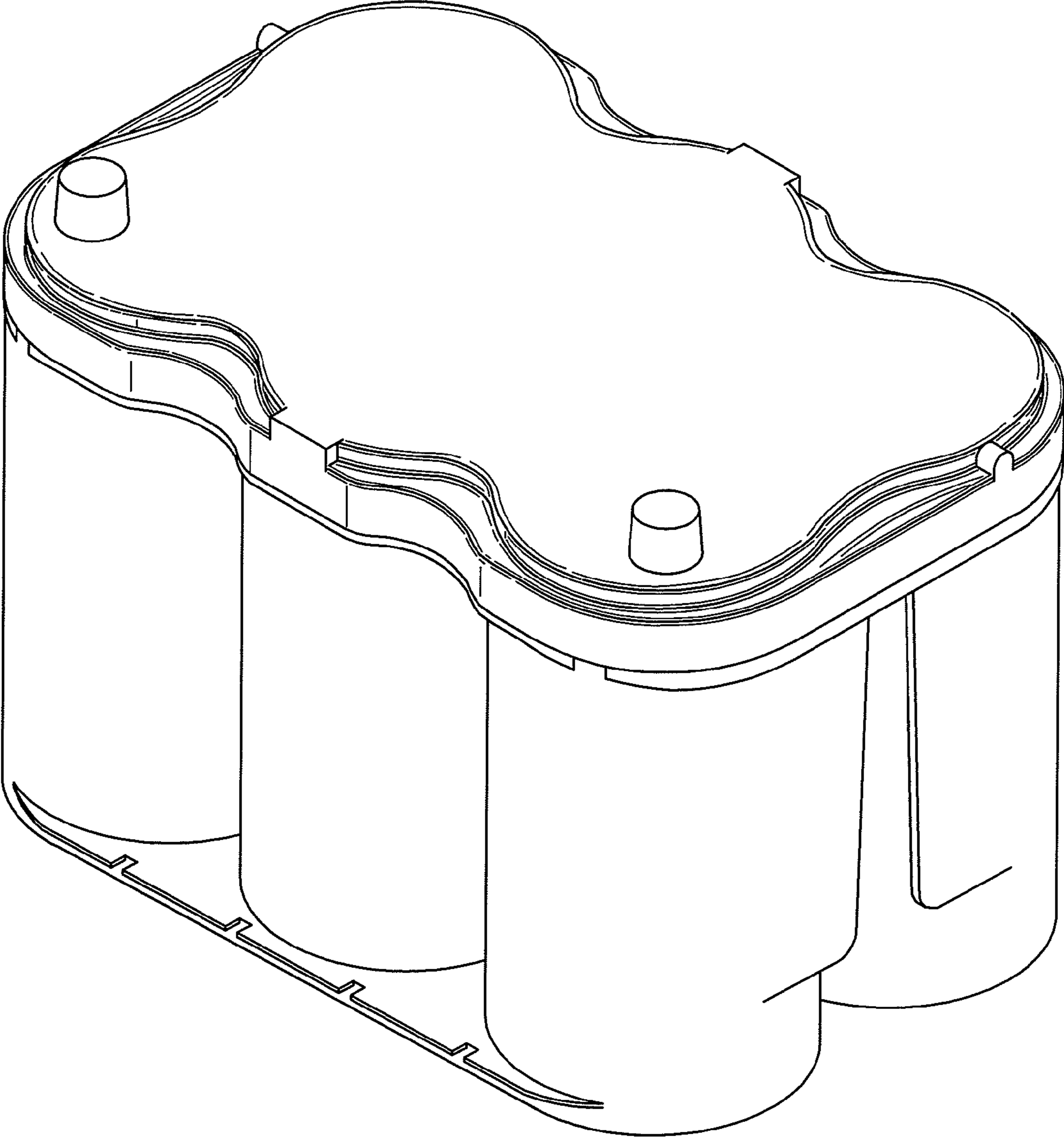


FIG. 2

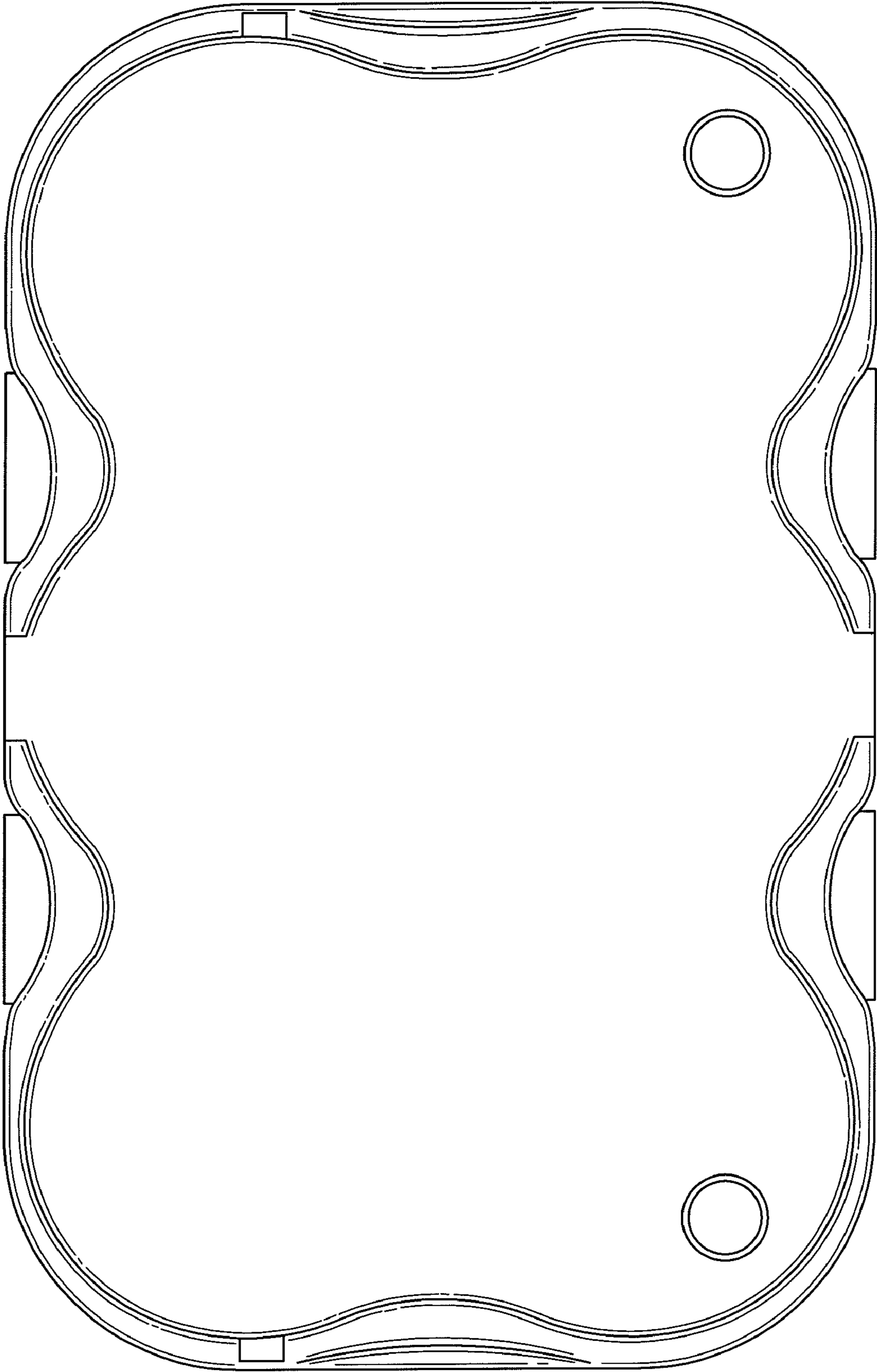


FIG. 3

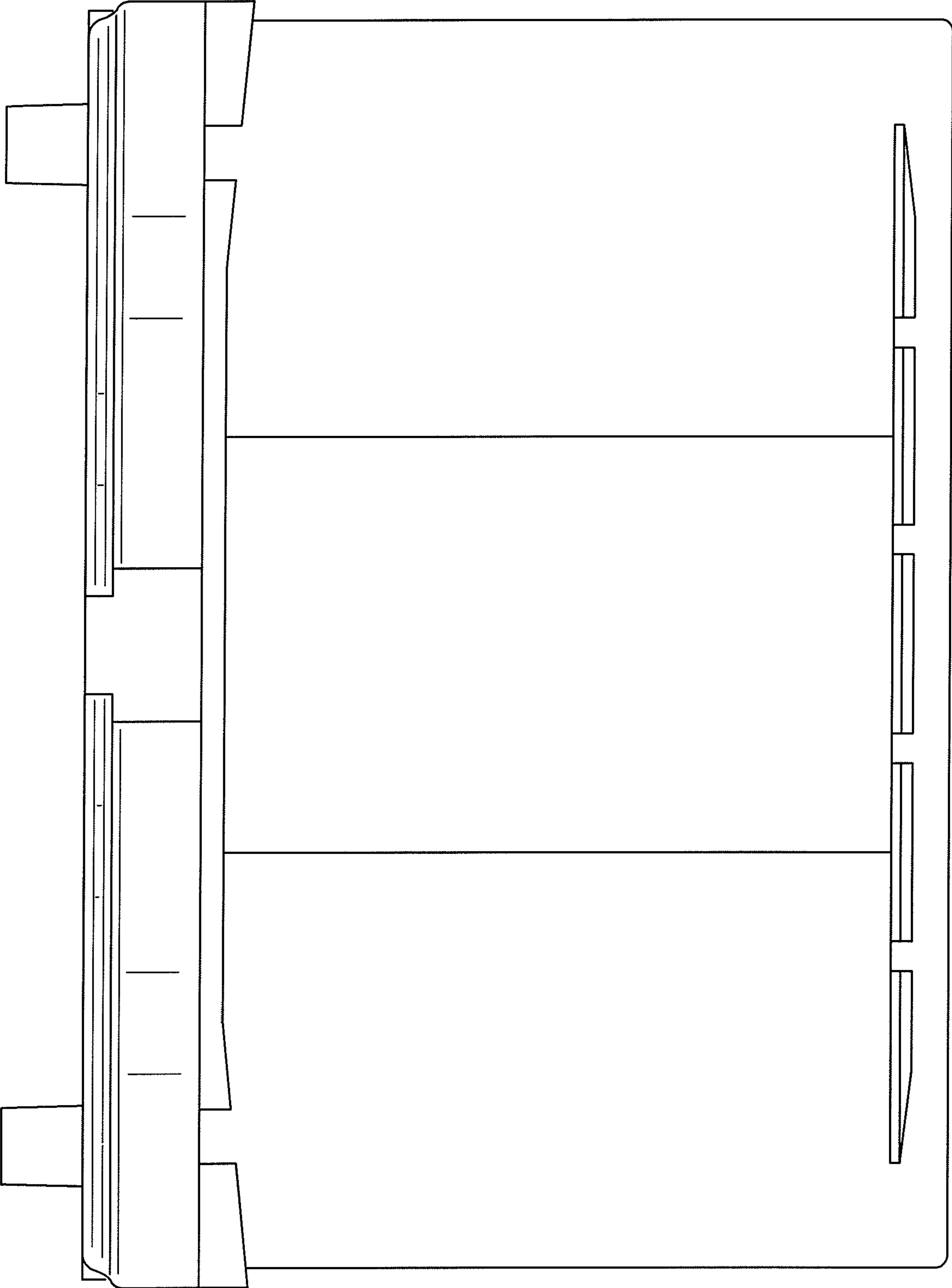


FIG. 4

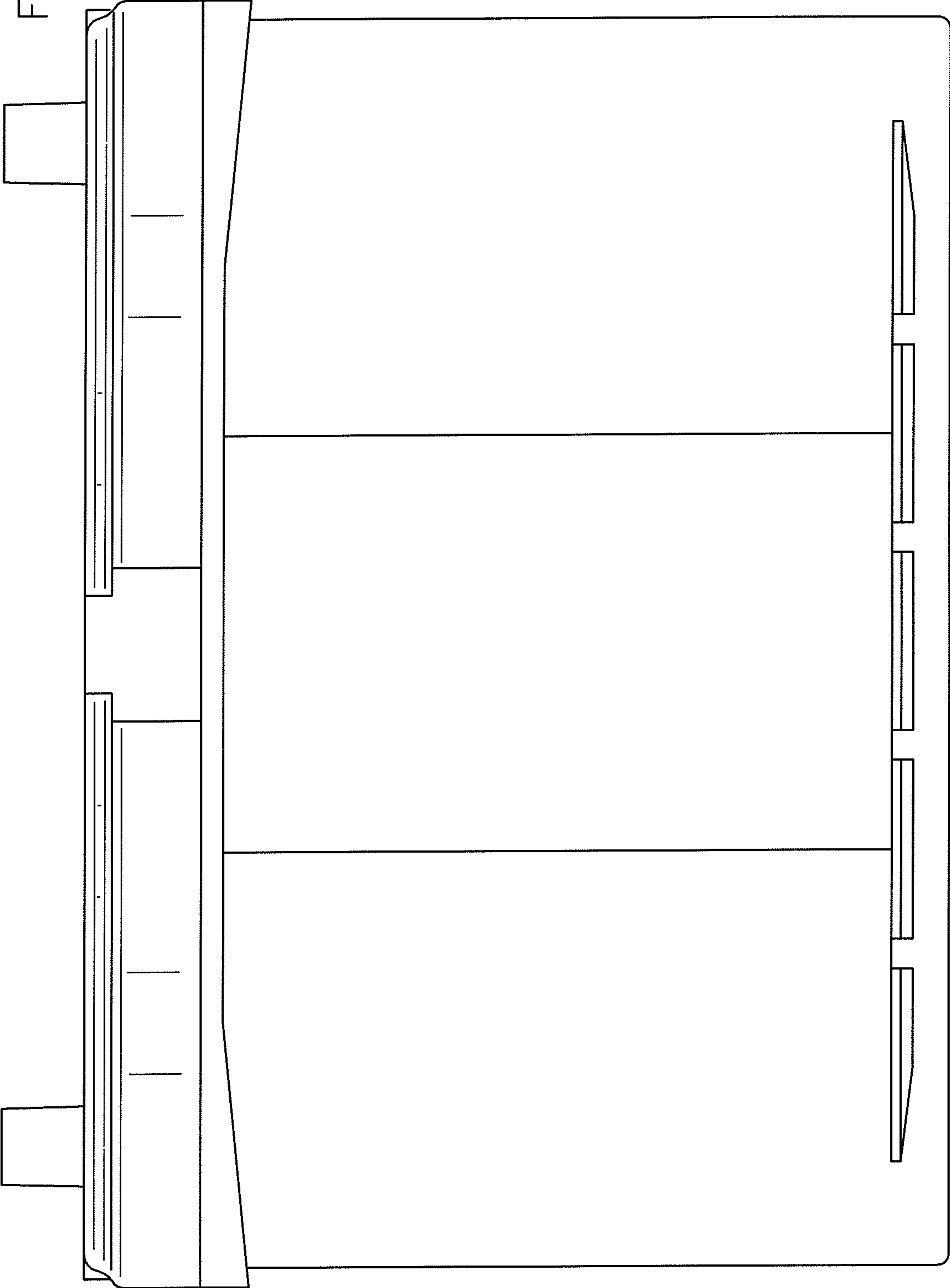


FIG. 5

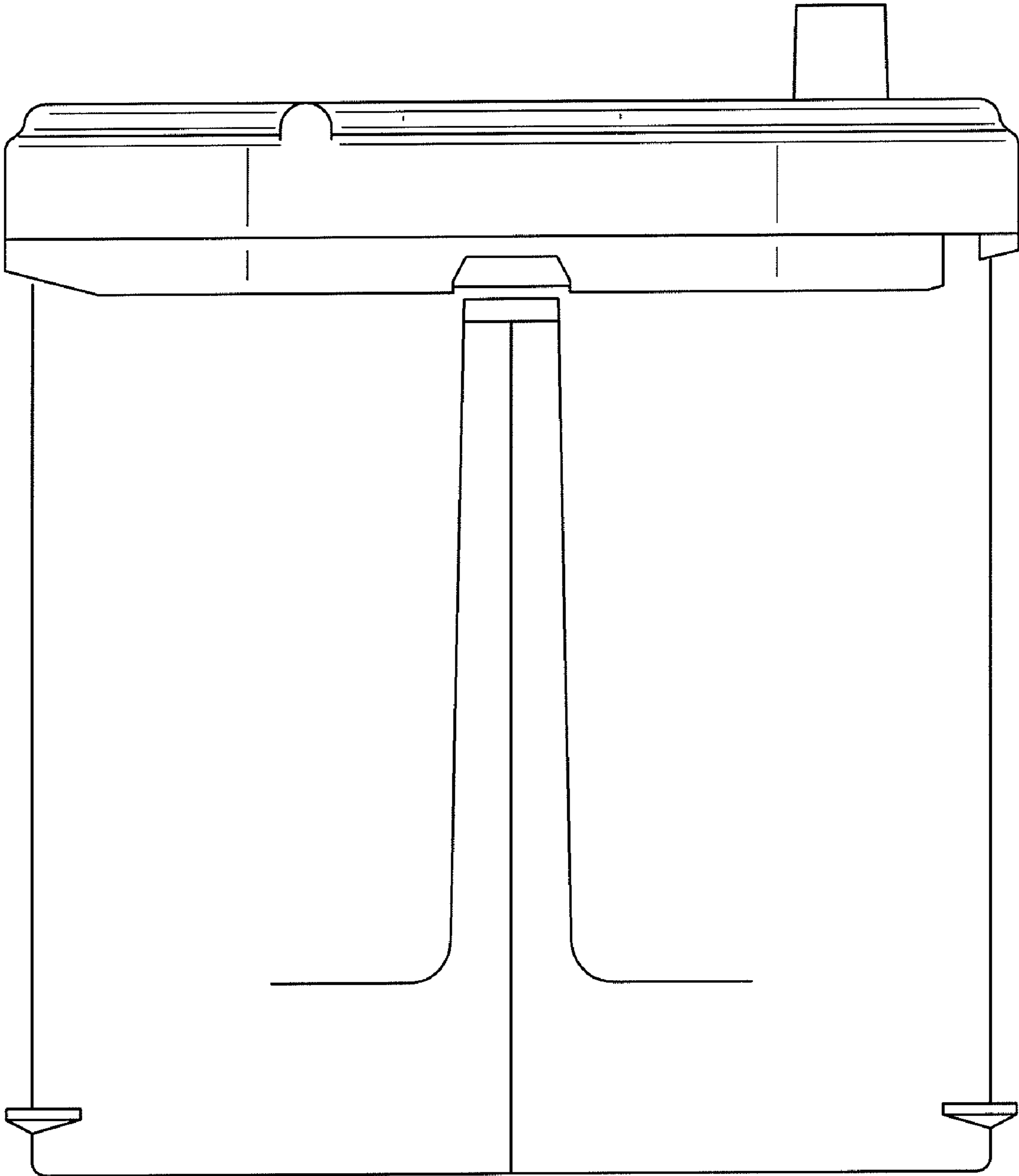


FIG. 6

