



US00D609177S

(12) **United States Design Patent**
Osaka

(10) **Patent No.:** **US D609,177 S**
(45) **Date of Patent:** **** Feb. 2, 2010**

- (54) **TIRE**
- (75) Inventor: **Kazuko Osaka**, Osaka (JP)
- (73) Assignee: **Toyo Tire & Rubber Co., Ltd.**, Osaka (JP)
- (**) Term: **14 Years**
- (21) Appl. No.: **29/342,328**
- (22) Filed: **Aug. 21, 2009**
- (30) **Foreign Application Priority Data**
Jun. 24, 2009 (JP) 2009-014352
- (51) **LOC (9) Cl.** **12-15**
- (52) **U.S. Cl.** **D12/605**
- (58) **Field of Classification Search** D12/500-501,
D12/544, 579, 600, 605, 604; 152/523-524,
152/DIG. 12, 555; D7/588, 396.4-396.5
See application file for complete search history.

(56) **References Cited**

U.S. PATENT DOCUMENTS

D208,616 S *	9/1967	Ueno	D12/605
D220,862 S *	6/1971	Fetty	D12/605
D274,422 S *	6/1984	Wright	D12/605
D430,518 S *	9/2000	Baker	D12/605
D481,988 S *	11/2003	Wachendorf	D12/605
D516,016 S *	2/2006	Miyazaki et al.	D12/605
D539,214 S *	3/2007	Miyazaki	D12/605
D571,287 S *	6/2008	Dixon	D12/605
D575,222 S *	8/2008	Fujita	D12/605
D597,025 S *	7/2009	Fujita	D12/605

FOREIGN PATENT DOCUMENTS

JP 1349431 12/2008

JP 1349739 12/2008

OTHER PUBLICATIONS

English translation of JP 1349431, Registration Date Dec. 19, 2008, Sumitomo Rubber Industries, Ltd., 3 pages.
English translation of JP 1349739, Registration Date Dec. 19, 2008, Sumitomo Rubber Industries, Ltd., 3 pages.

* cited by examiner

Primary Examiner—Stacia Cadmus

(74) *Attorney, Agent, or Firm*—Sterne Kessler Goldstein & Fox PLLC

(57) **CLAIM**

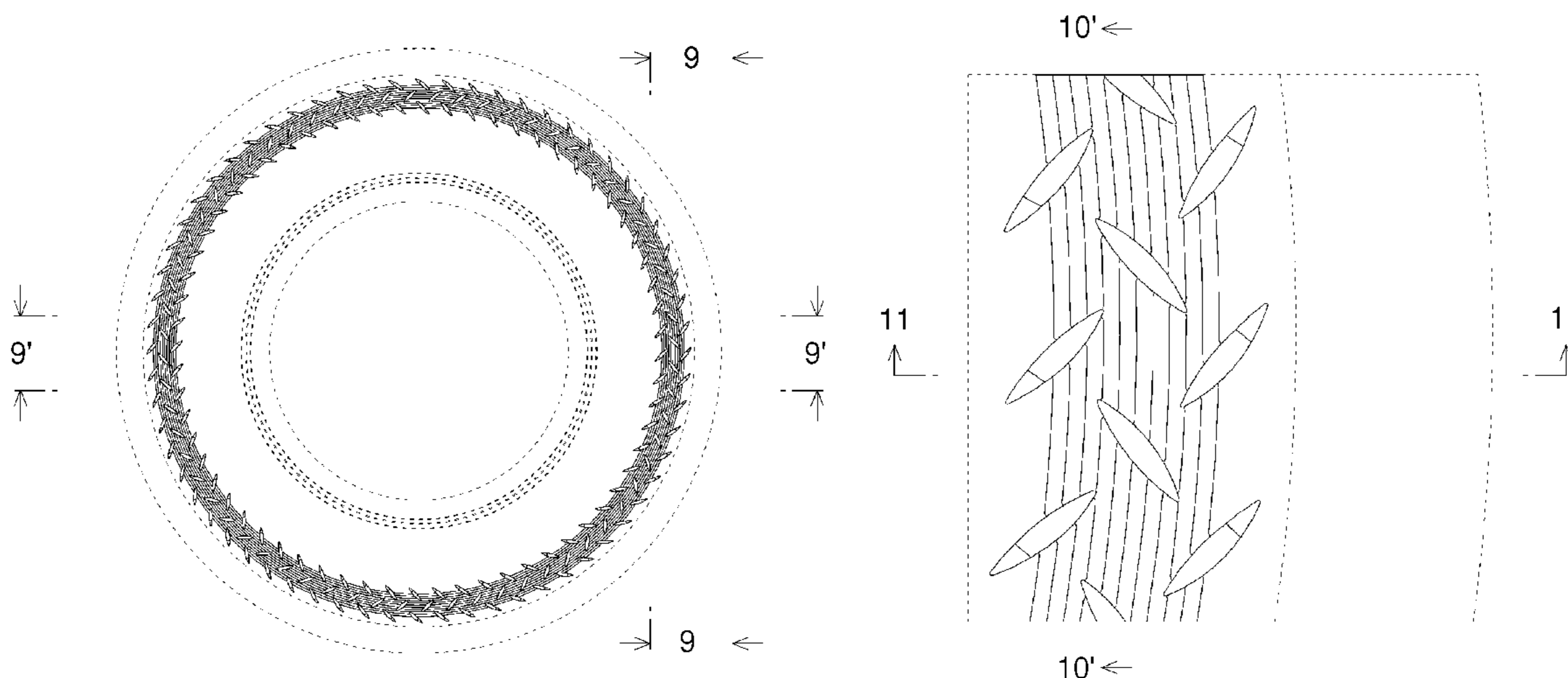
The ornamental design for a tire, as shown and described.

DESCRIPTION

FIG. 1 is a perspective view of a tire showing my new design;
FIG. 2 is a front view thereof;
FIG. 3 is a rear view thereof;
FIG. 4 is a right side view thereof;
FIG. 5 is a left side view thereof;
FIG. 6 is a top plan view thereof;
FIG. 7 is a bottom plan view thereof;
FIG. 8 is an enlarged view taken along line 8—8 in FIG. 1;
FIG. 9 is an enlarged sectional view taken along lines 9—9 and 9'—9' in FIG. 2;
FIG. 10 is a cross-sectional view taken along line 10—10 in FIG. 6 and line 10'—10' in FIG. 9; and,
FIG. 11 is a cross-sectional view taken along line 10—10 in FIG. 6 and line 11—11 in FIG. 9.

The broken lines in the Figures depict environmental subject matter and form no part of the claimed design.

1 Claim, 10 Drawing Sheets



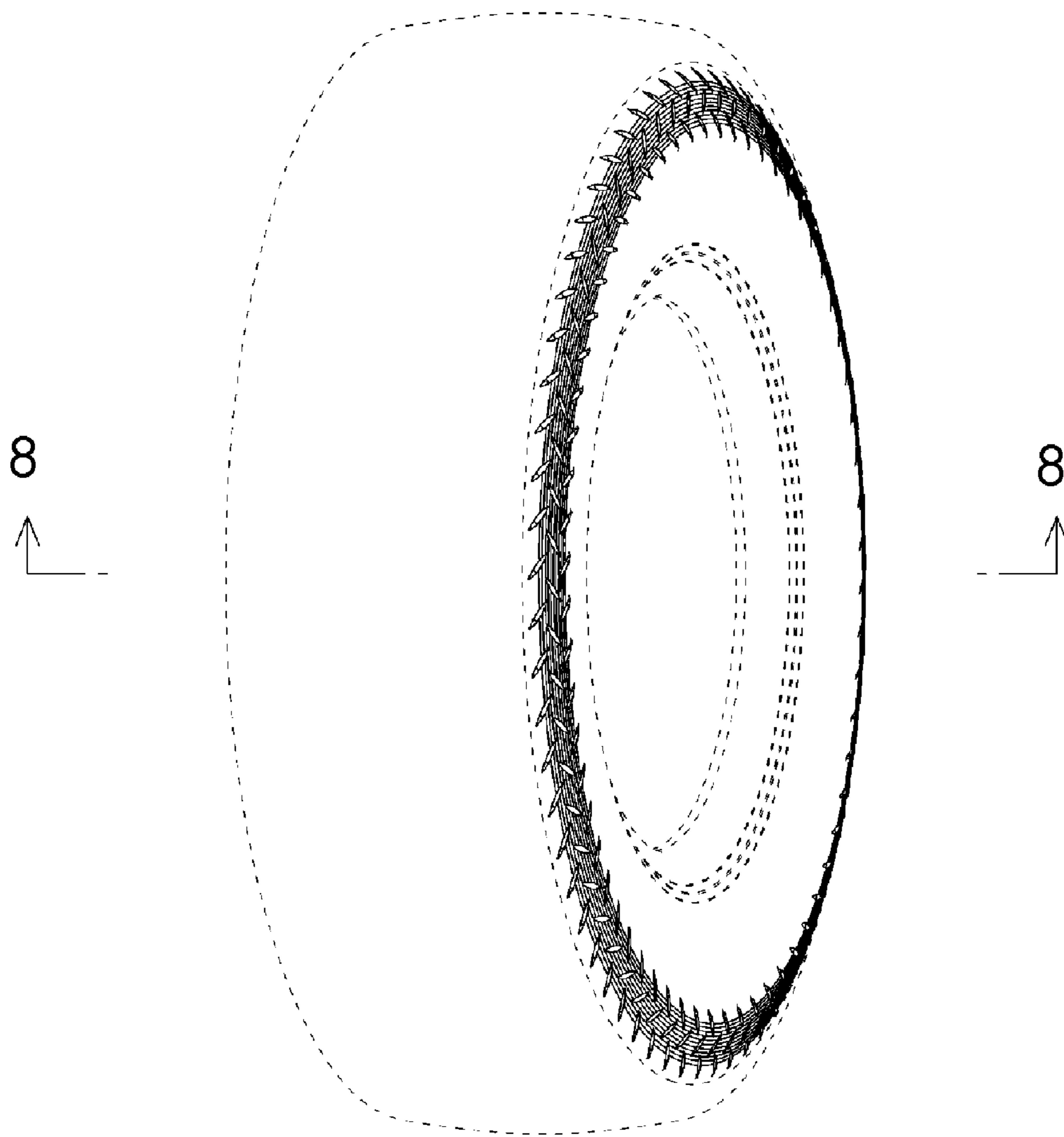


FIGURE 1

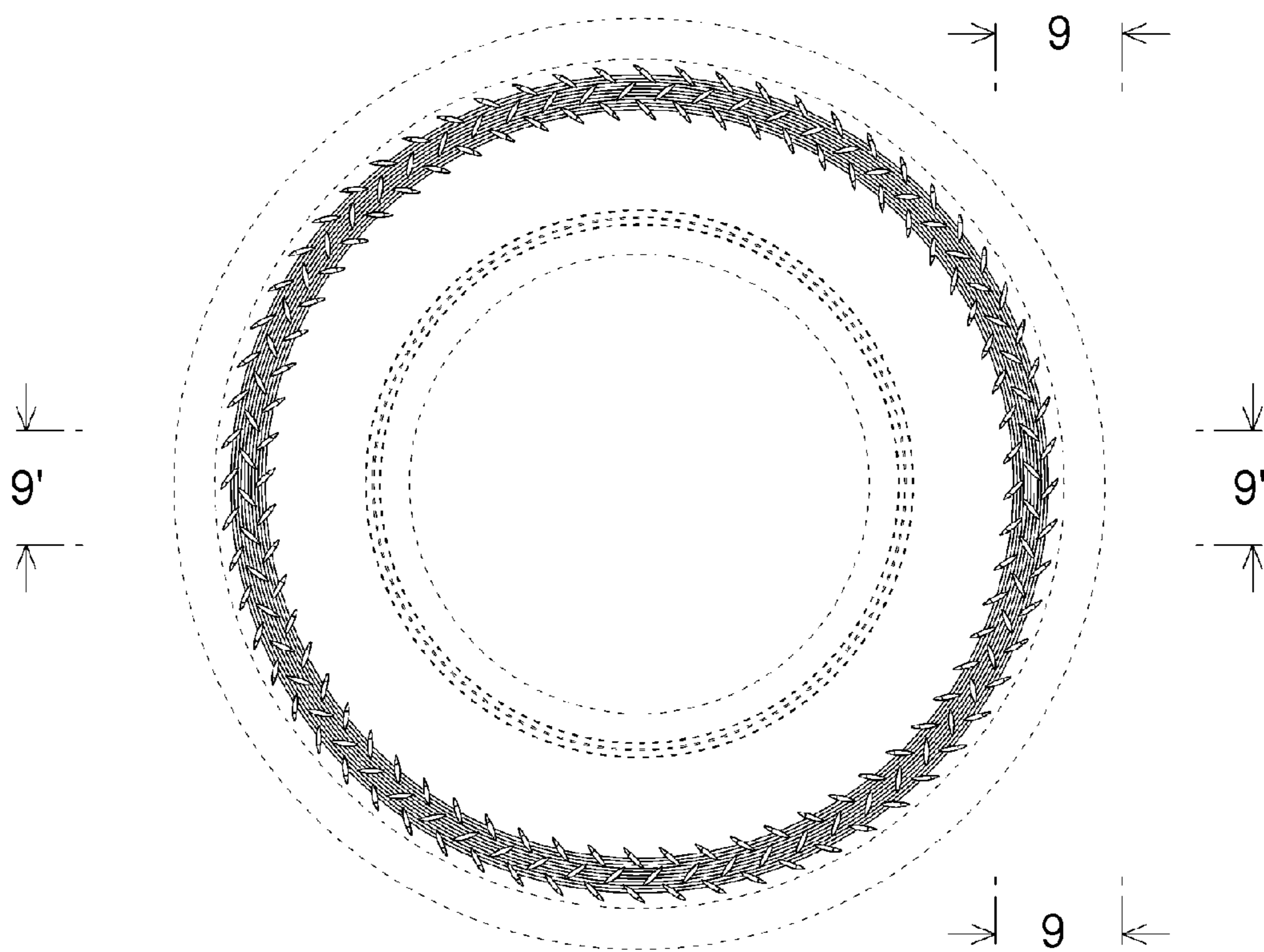


FIGURE 2

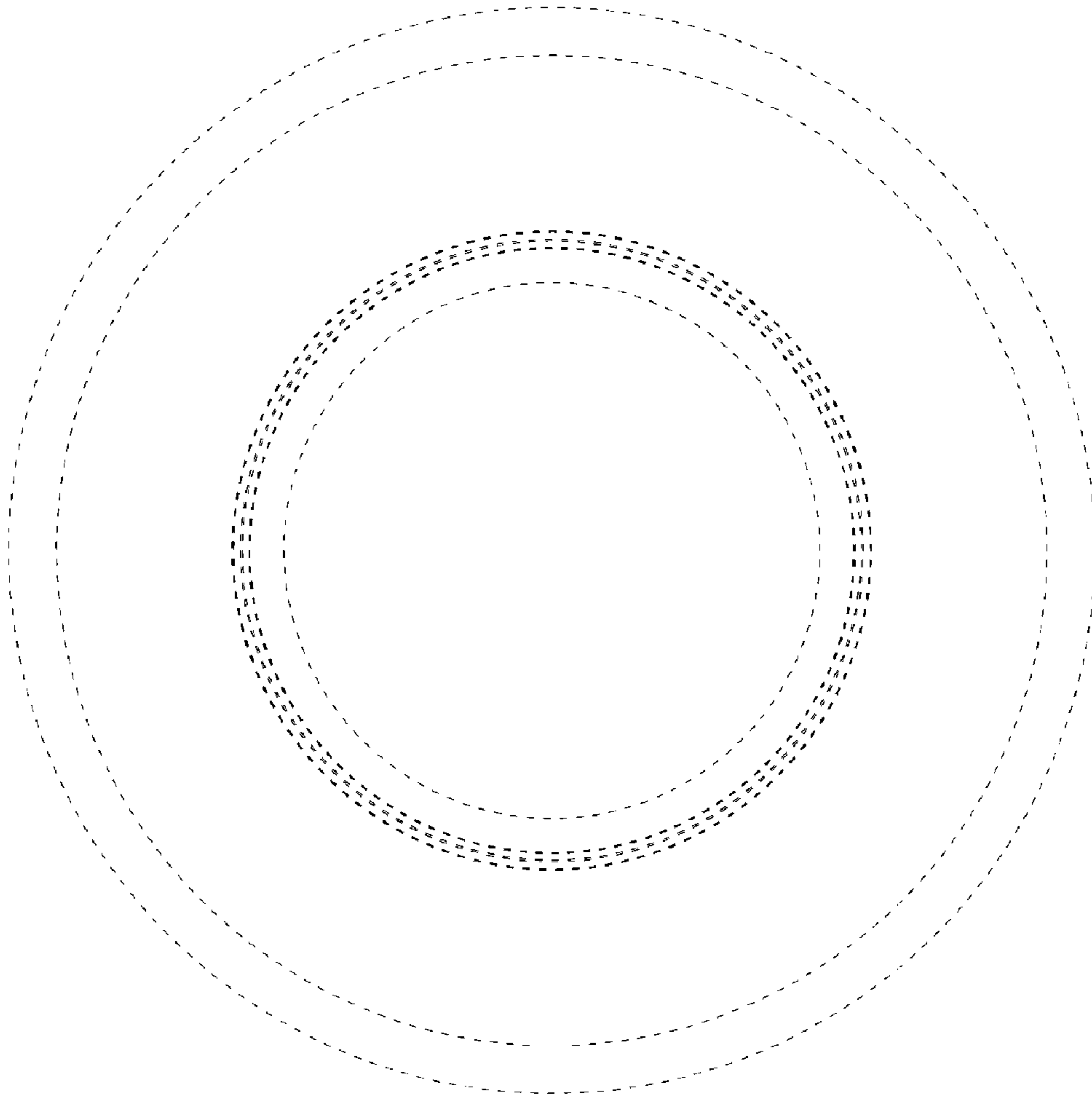


FIGURE 3

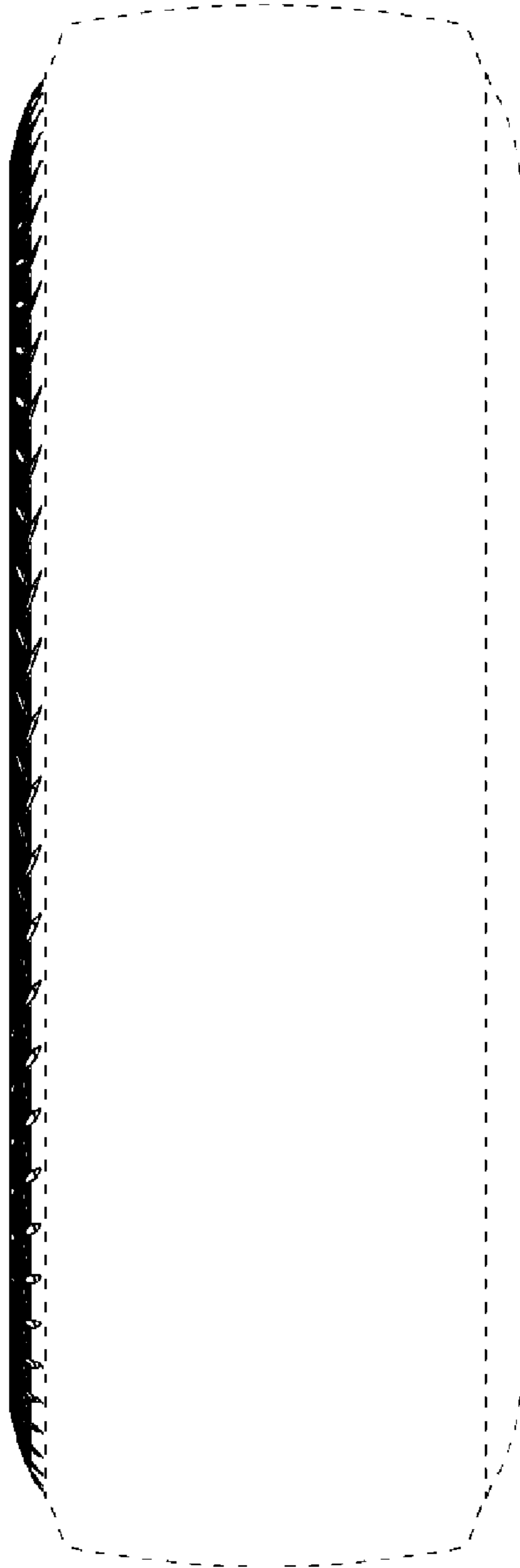


FIGURE 4



FIGURE 5

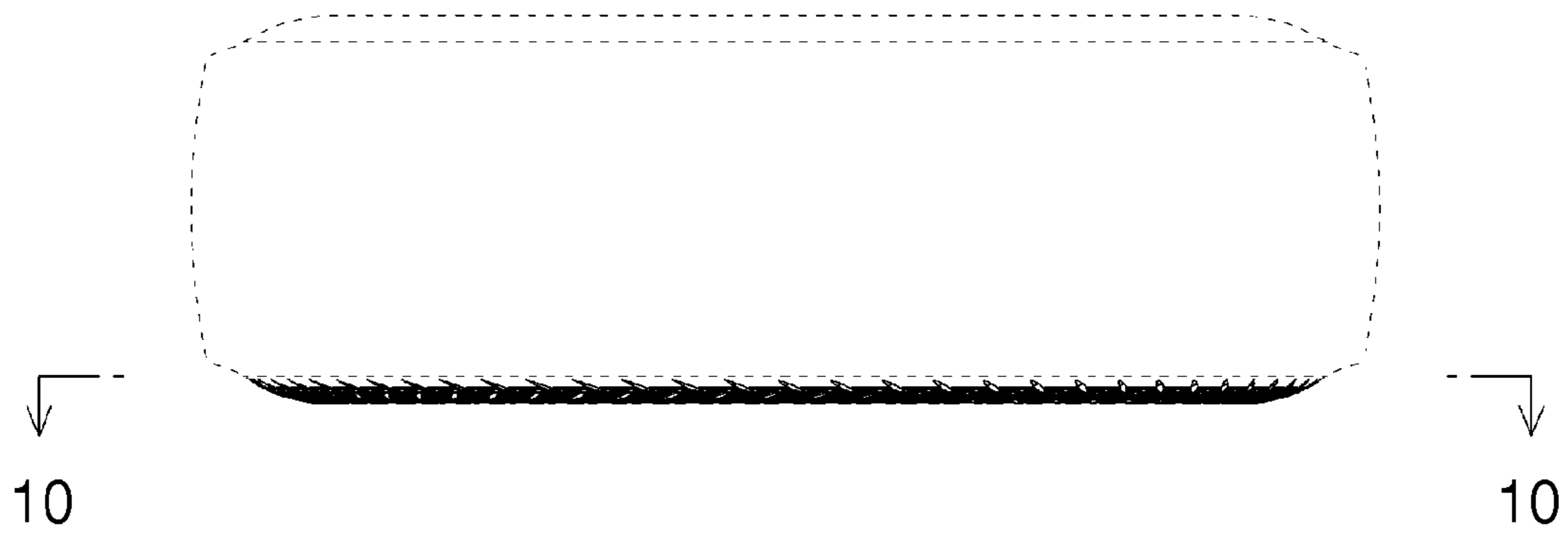


FIGURE 6

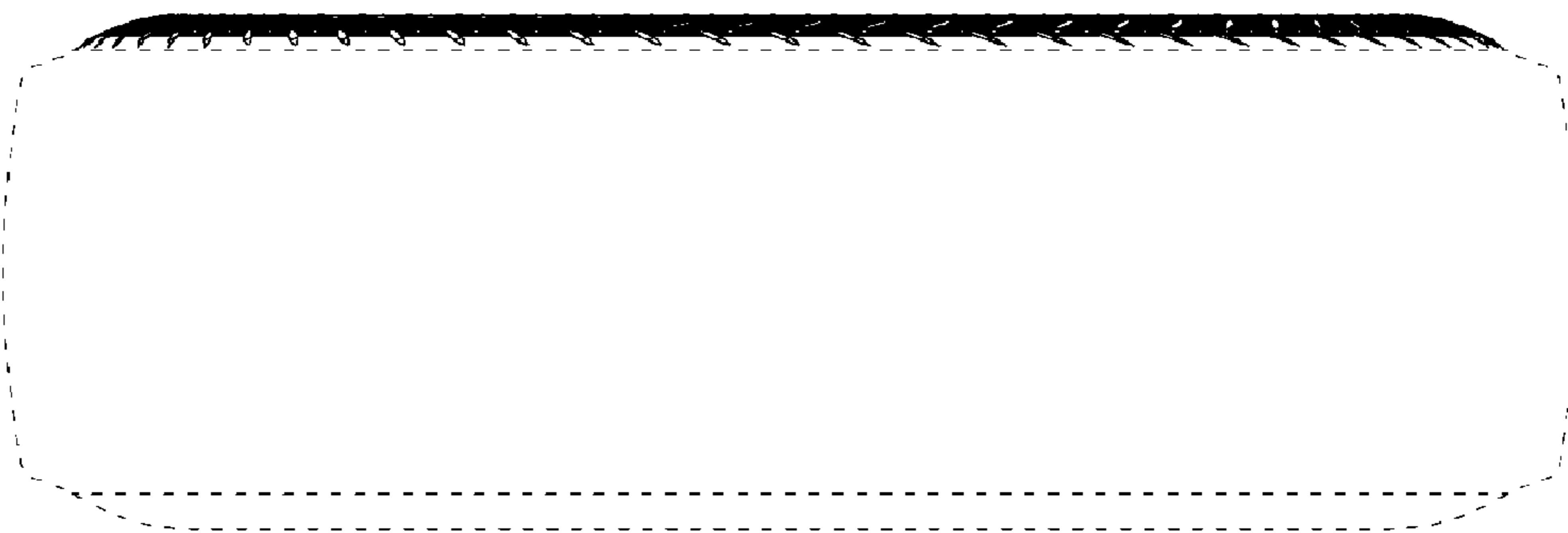


FIGURE 7

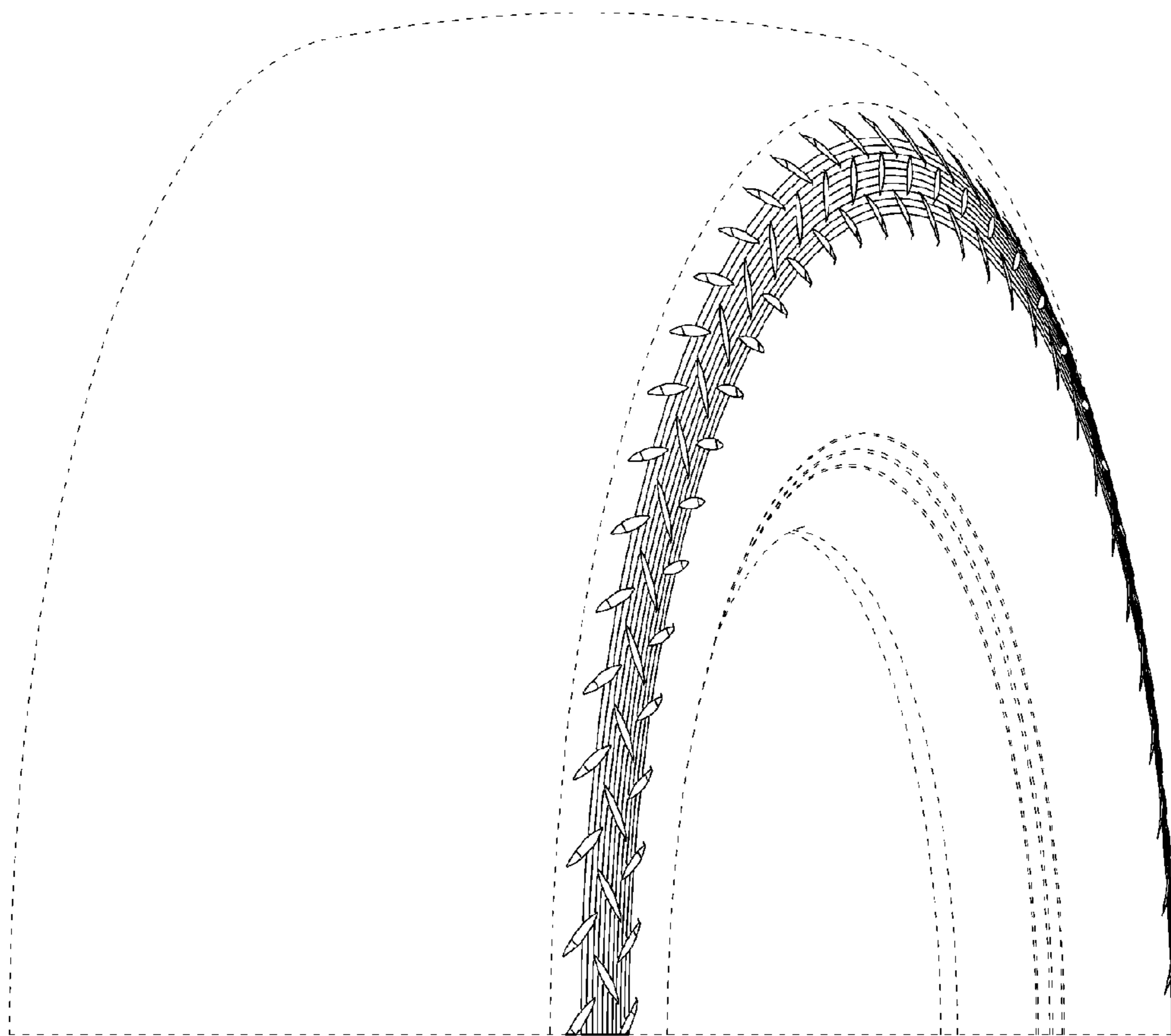


FIGURE 8

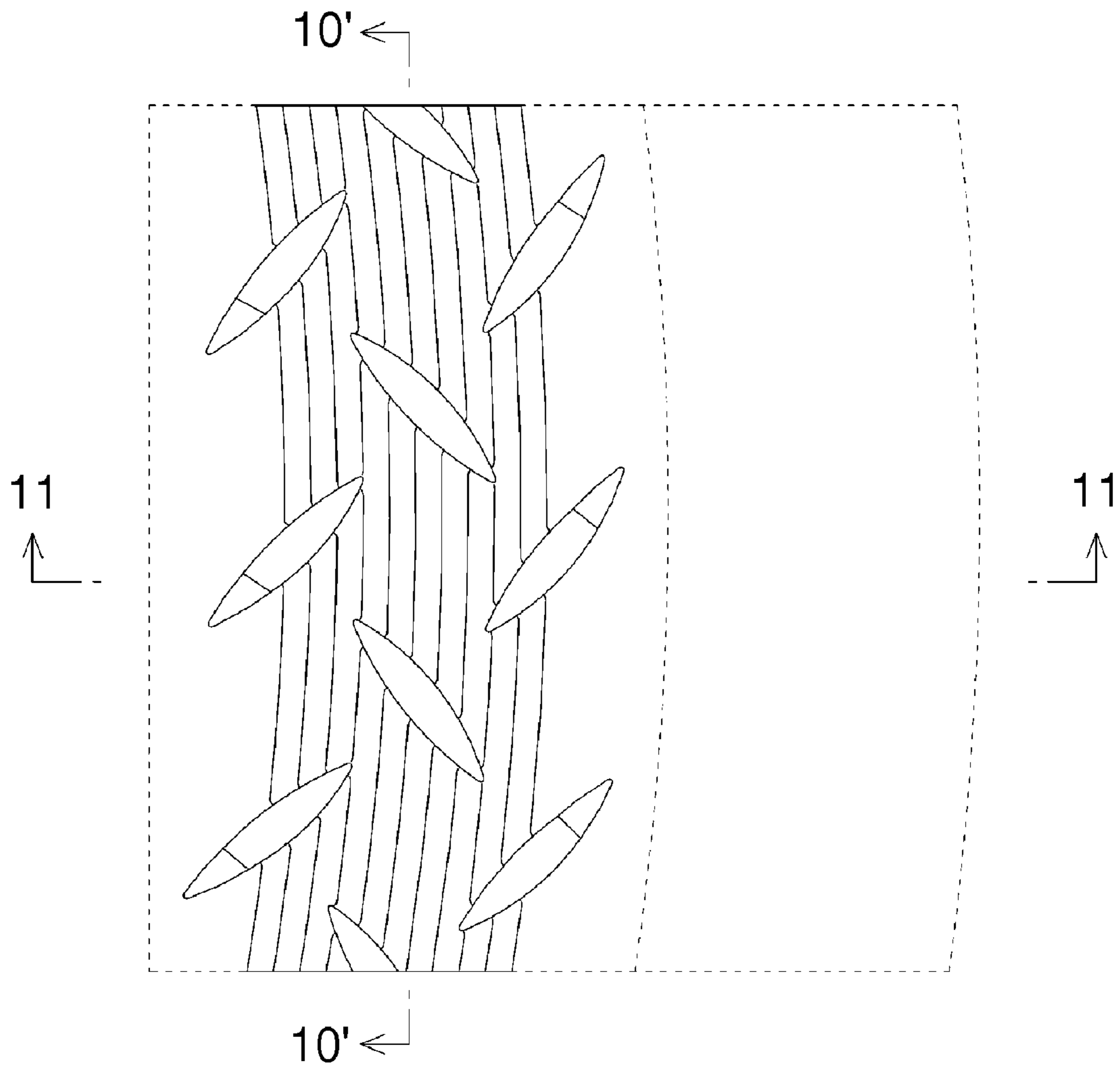


FIGURE 9

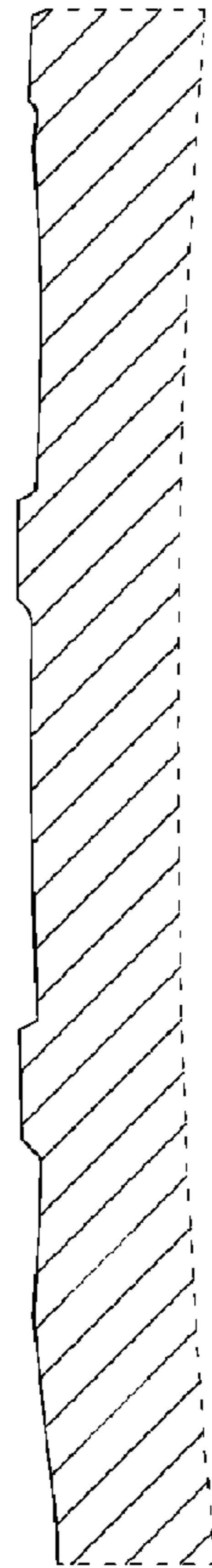


FIGURE 10

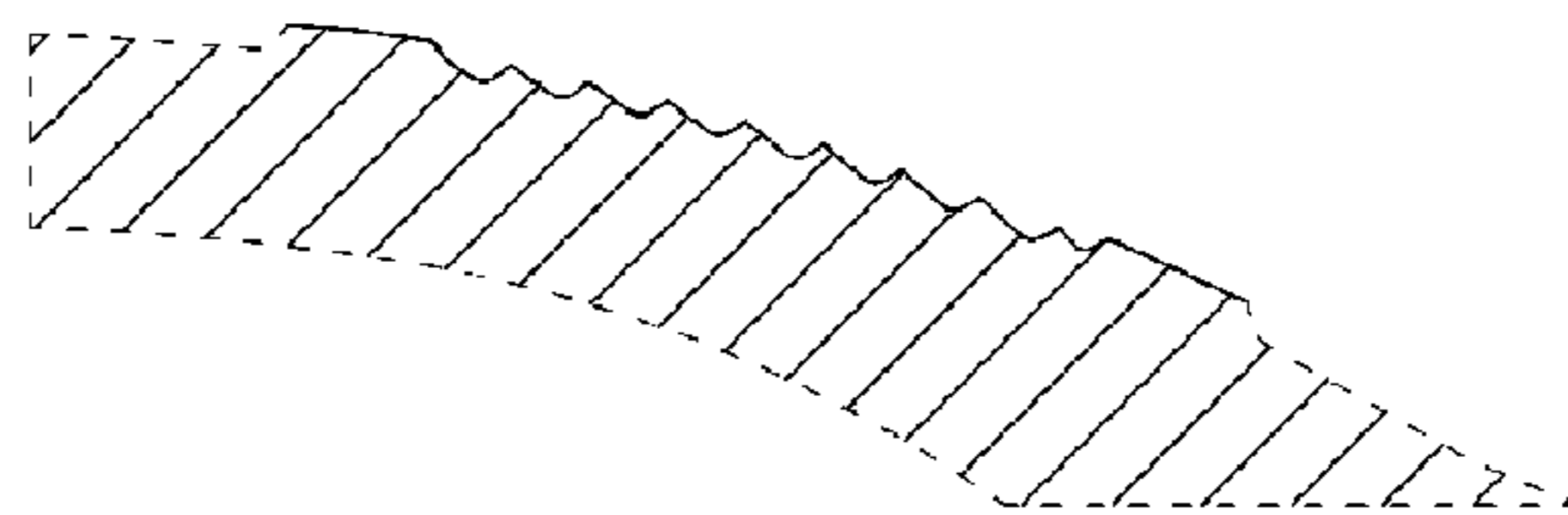


FIGURE 11