



US00D609176S

(12) **United States Design Patent**
Fujita

(10) **Patent No.:** **US D609,176 S**
(45) **Date of Patent:** **** Feb. 2, 2010**

(54) **SIDEWALL PORTION OF AN AUTOMOBILE TIRE**

(75) Inventor: **Shungo Fujita**, Tokyo (JP)

(73) Assignee: **Bridgestone Corporation**, Tokyo (JP)

(**) Term: **14 Years**

(21) Appl. No.: **29/338,043**

(22) Filed: **Jun. 3, 2009**

(30) **Foreign Application Priority Data**

Mar. 3, 2009 (JP) 2009-004662

(51) **LOC (9) Cl.** **12-15**

(52) **U.S. Cl.** **D12/605**

(58) **Field of Classification Search** D12/500-501,
D12/544, 579, 600, 605, 604; 152/523-524,
152/DIG. 12, 555; D7/588, 396.4-396.5
See application file for complete search history.

(56) **References Cited**

U.S. PATENT DOCUMENTS

D203,317 S *	12/1965	Busch	D12/605
D222,216 S *	10/1971	Overstreet	D12/605
D265,813 S *	8/1982	Sladky	D12/605
D373,751 S *	9/1996	Barrese	D12/605
D379,167 S *	5/1997	Attinello et al.	D12/605
D386,455 S *	11/1997	Clementz et al.	D12/605
5,728,242 A *	3/1998	Barrese et al.	152/523
D412,476 S *	8/1999	Clementz et al.	D12/605

6,032,711 A *	3/2000	Barrese et al.	152/523
D486,124 S *	2/2004	LeFranc	D12/605
D500,473 S *	1/2005	Boggs et al.	D12/605
D568,235 S *	5/2008	Dixon	D12/605
D577,330 S	9/2008	Miyasaka		
D585,017 S *	1/2009	Shondel	D12/605

FOREIGN PATENT DOCUMENTS

JP 1332663 S 6/2008

* cited by examiner

Primary Examiner—Stacia Cadmus

(74) *Attorney, Agent, or Firm*—Sughrue Mion, PLLC

(57) **CLAIM**

The ornamental design for a sidewall portion of an automobile tire, as shown and described.

DESCRIPTION

FIG. 1 is a front view of a sidewall portion of an automobile tire;

FIG. 2 is a perspective view thereof;

FIG. 3 is a rear view thereof;

FIG. 4 is a left side view thereof; and,

FIG. 5 is a fragmentary enlarged view showing the details of the sidewall portion surrounded by the cross-sections A and B in FIG. 1.

Broken lines in the drawing figures are used to show environmental structure only, and form no part of the claimed design.

1 Claim, 5 Drawing Sheets

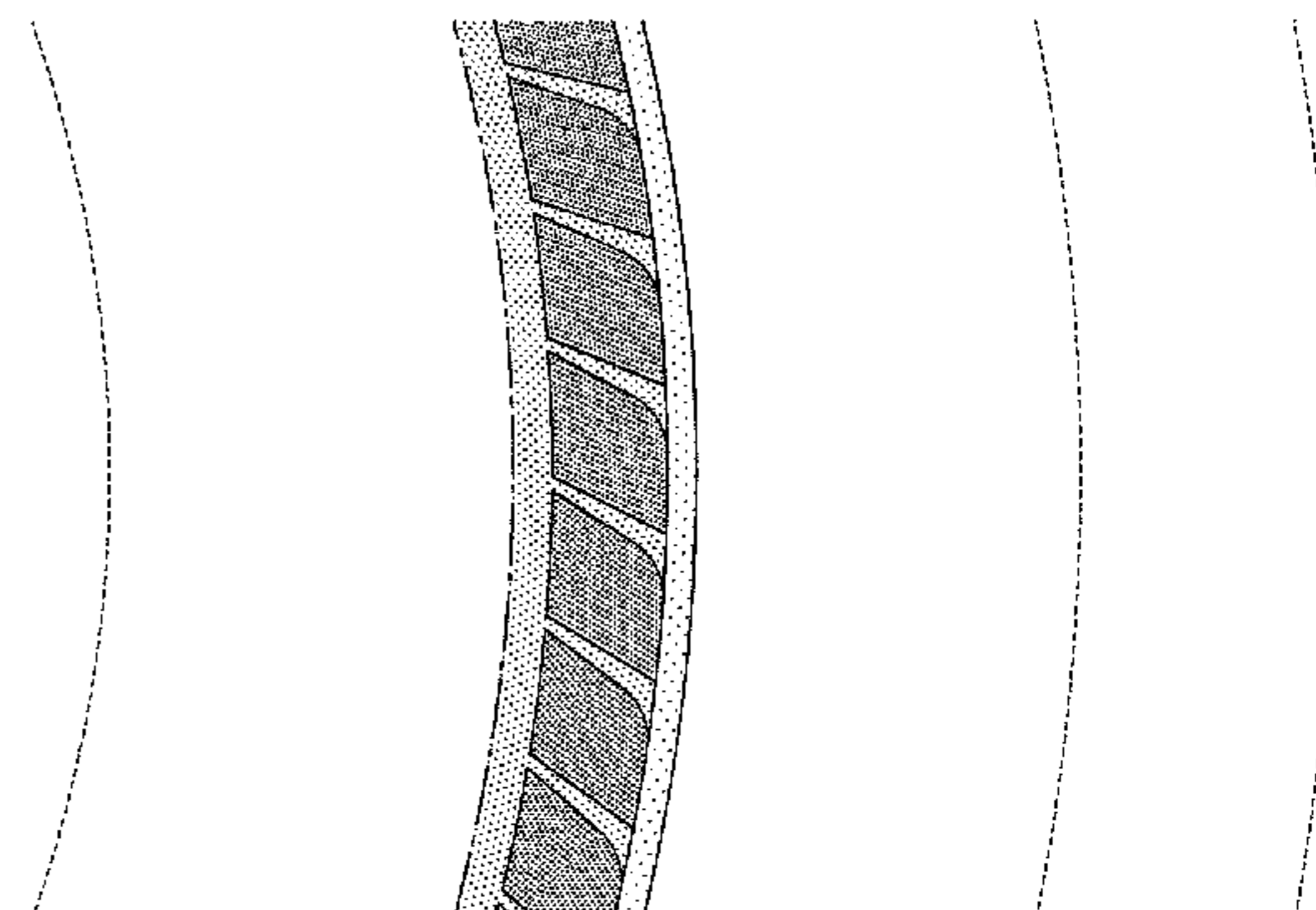
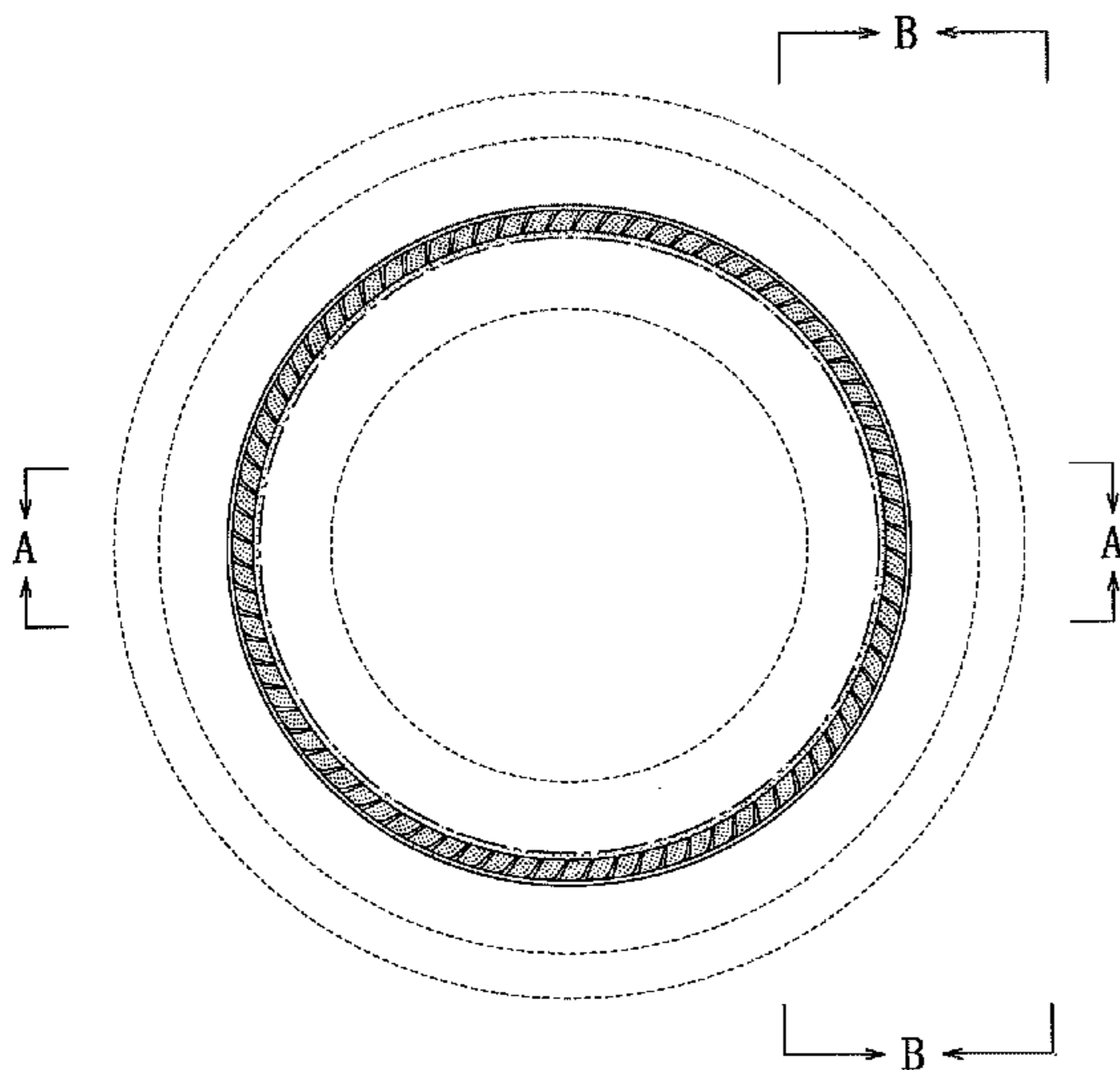


FIG. 1

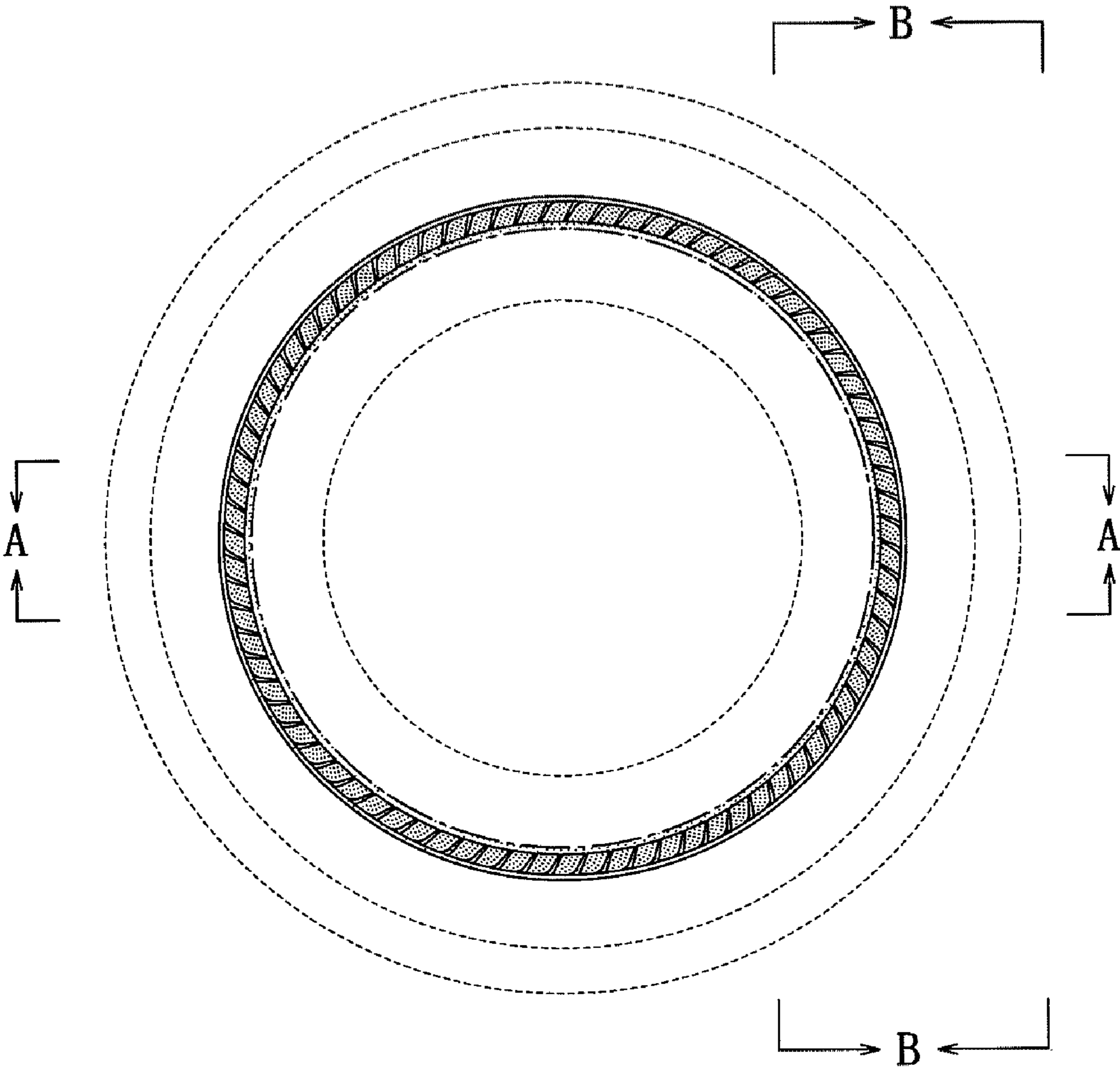


FIG. 2

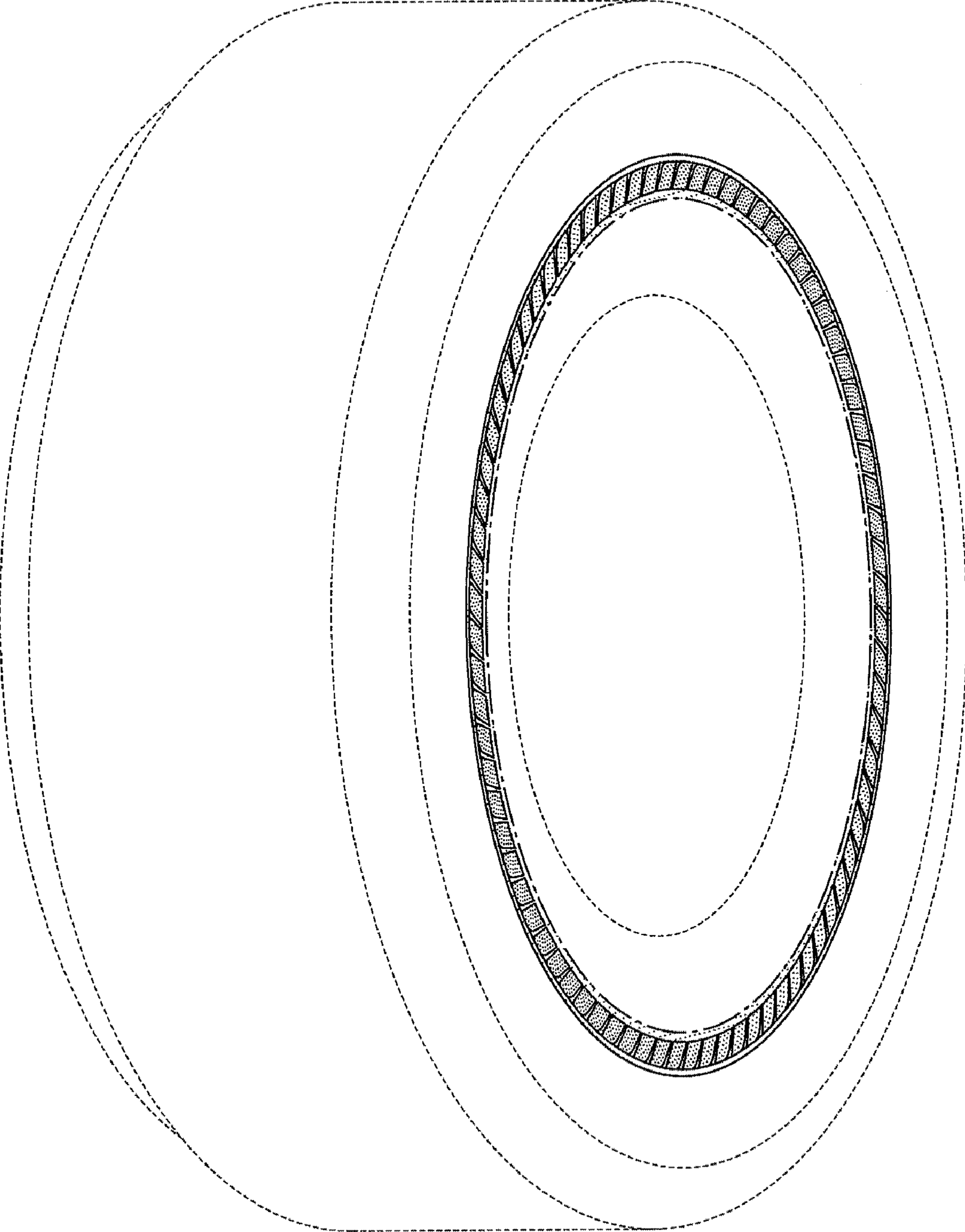


FIG. 3

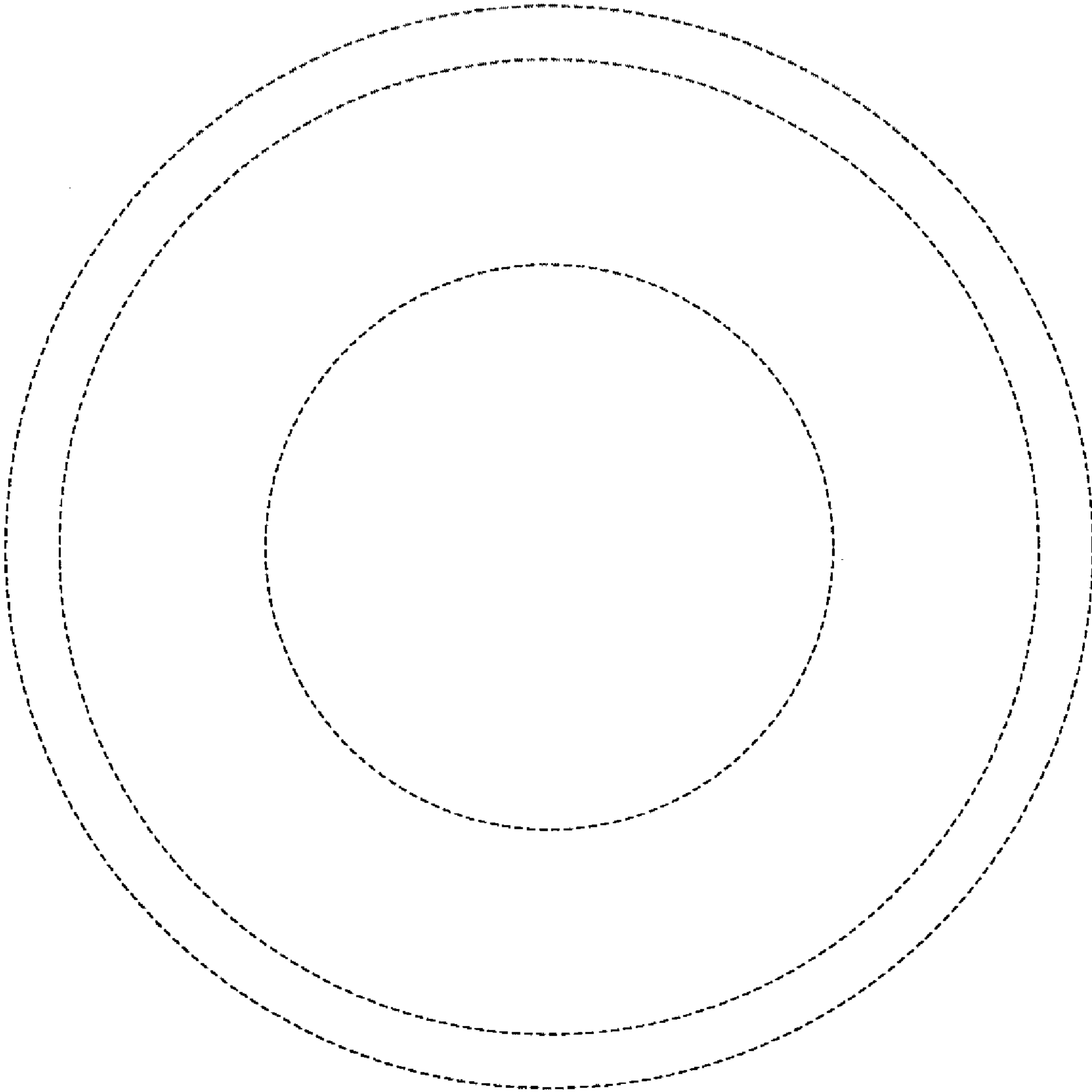


FIG. 4

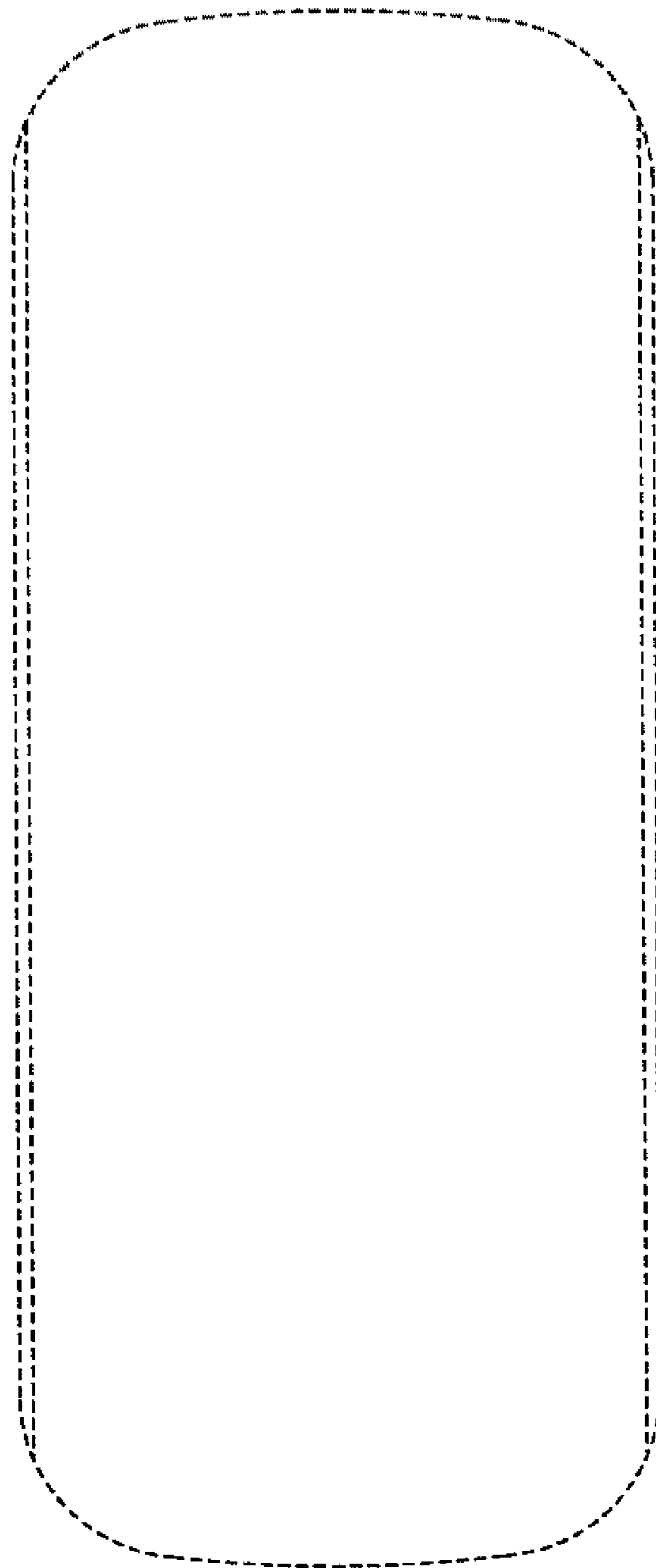


FIG. 5

