

US00D609169S

(12) **United States Design Patent**  
**Feider**

(10) **Patent No.:** **US D609,169 S**  
(45) **Date of Patent:** **\*\* Feb. 2, 2010**

- (54) **TIRE**
- (75) Inventor: **Georges Gaston Feider**, Bettborn (LU)
- (73) Assignee: **The Goodyear Tire & Rubber Company**, Akron, OH (US)
- (\*\*) Term: **14 Years**
- (21) Appl. No.: **29/304,409**
- (22) Filed: **Feb. 29, 2008**

- (51) **LOC (9) Cl.** ..... **12-16**
- (52) **U.S. Cl.** ..... **D12/588**
- (58) **Field of Classification Search** ..... D12/568-603;  
152/209.1, 209.8, 209.9, 209.12, 209.18,  
152/209.25

See application file for complete search history.

(56) **References Cited**

**U.S. PATENT DOCUMENTS**

D304,557 S	*	11/1989	Ochiai	.....	D12/588
D370,439 S		6/1996	Feider et al.	.....	D12/141
D371,756 S	*	7/1996	Kishi et al.	.....	D12/588
D377,635 S	*	1/1997	Numata	.....	D12/595
D448,707 S		10/2001	Maziarka et al.	.....	D12/147
D481,670 S		11/2003	Harden, Jr. et al.	.....	D12/595
D481,992 S		11/2003	Harden, Jr. et al.	.....	D12/595
D511,741 S		11/2005	Bourguignon et al.	.....	D12/601

**FOREIGN PATENT DOCUMENTS**

JP 1002709 2/1998

**OTHER PUBLICATIONS**

Japanese search report dated Dec. 15, 2008.

\* cited by examiner

*Primary Examiner*—Caron Veynar  
*Assistant Examiner*—George D Kirschbaum  
(74) *Attorney, Agent, or Firm*—Richard B. O’Planick

(57) **CLAIM**

The ornamental design for a tire, as shown and described.

**DESCRIPTION**

FIG. 1 is a perspective view of a tire showing our new design, it being understood that the pattern repeats uniformly throughout the circumference of the tread;

FIG. 2 is a front elevational view thereof;

FIG. 3 is a right side elevational view thereof; the opposite side elevational view being identical thereto;

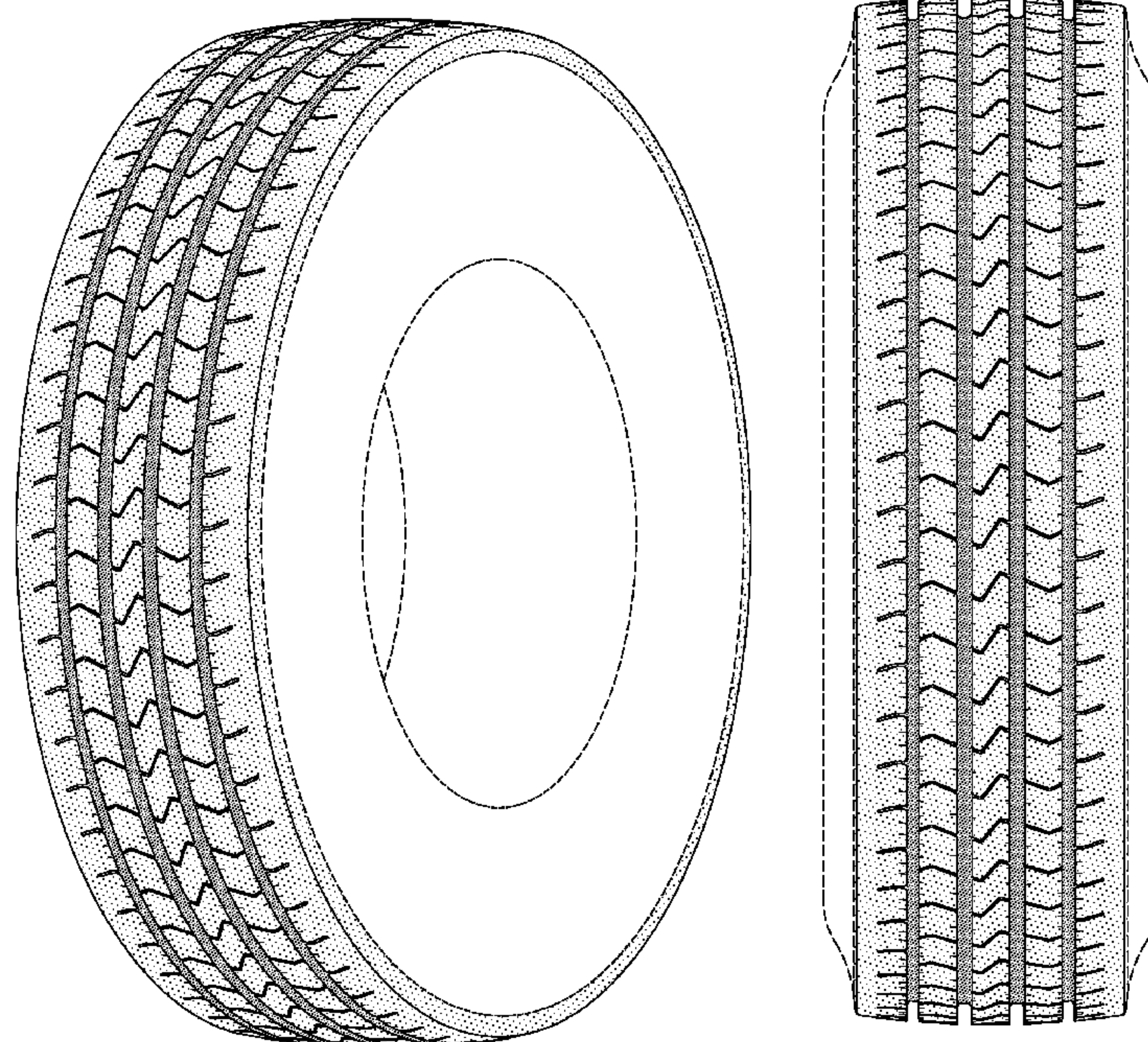
FIG. 4 is an enlarged fragmentary front elevational view thereof;

FIG. 5 is a perspective view of a second embodiment of a tire showing our new design, it being understood that the pattern repeats uniformly throughout the circumference of the tread and that the opposite side perspective view is identical thereto; and,

FIG. 6 is a front elevational view of a second embodiment, it being understood that an enlarged fragmentary view thereof would be substantially identical to that shown in FIG. 4, with the exception of the inclusion of the sidewall in solid lines.

In FIGS. 1-4, the broken lines defining the sidewall, inner bead and the peripheral boundary between the claimed tire tread and the sidewall depict environmental subject matter that forms no part of the claimed design.

**1 Claim, 6 Drawing Sheets**



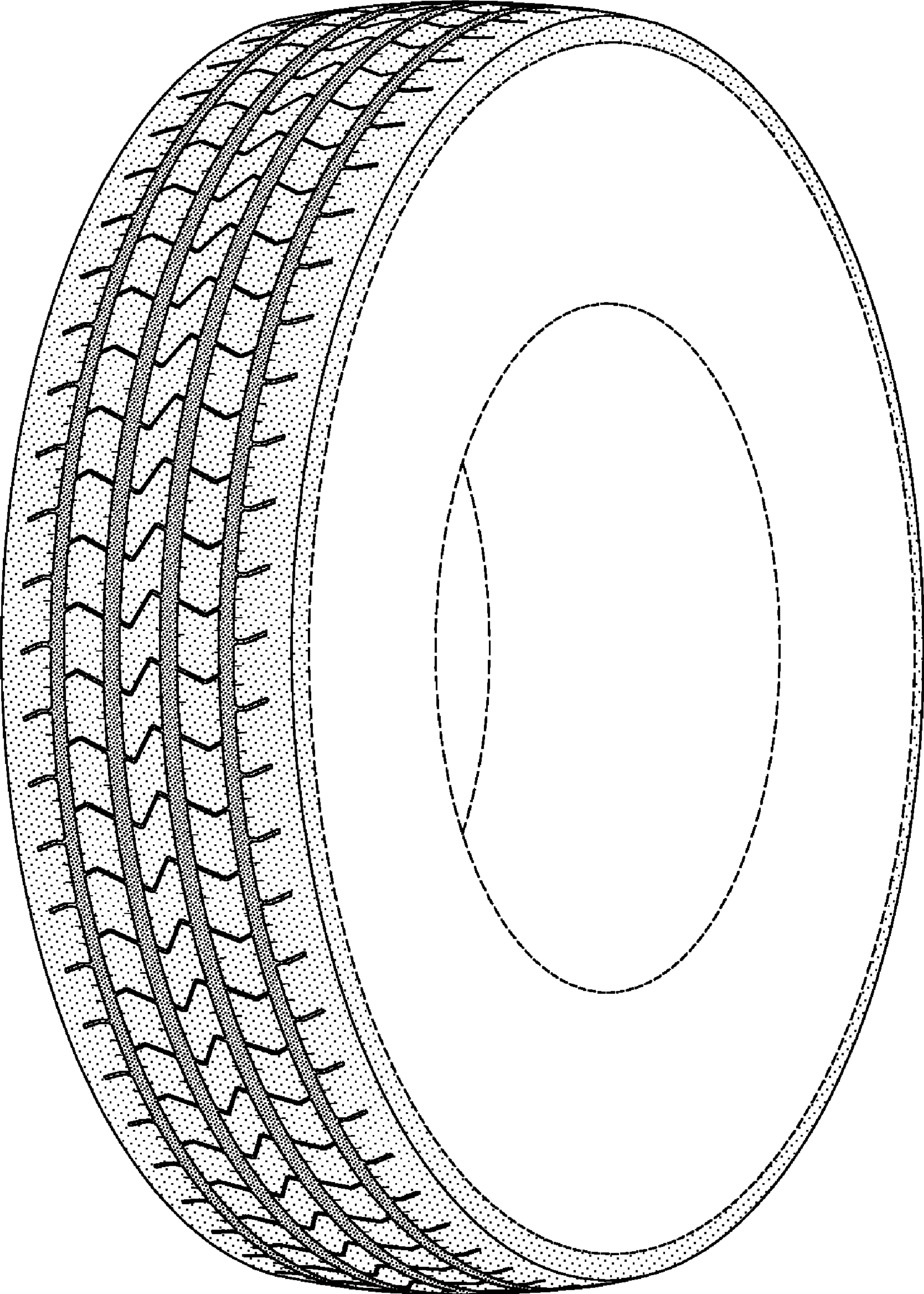


FIG-1



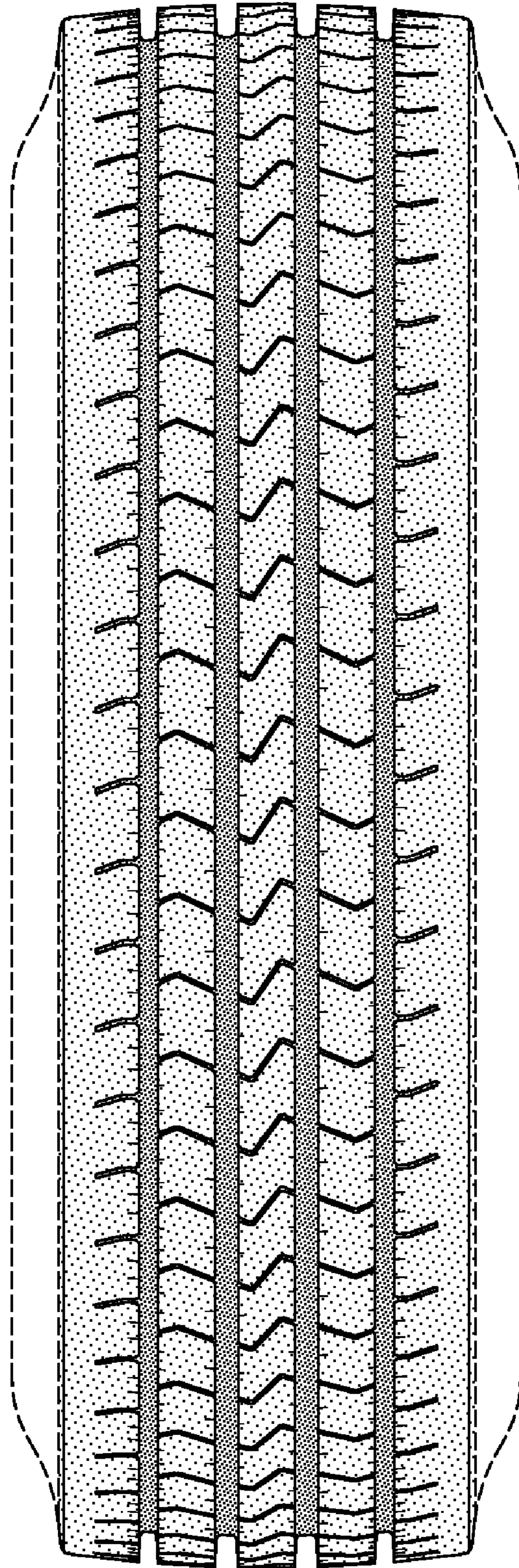


FIG-2

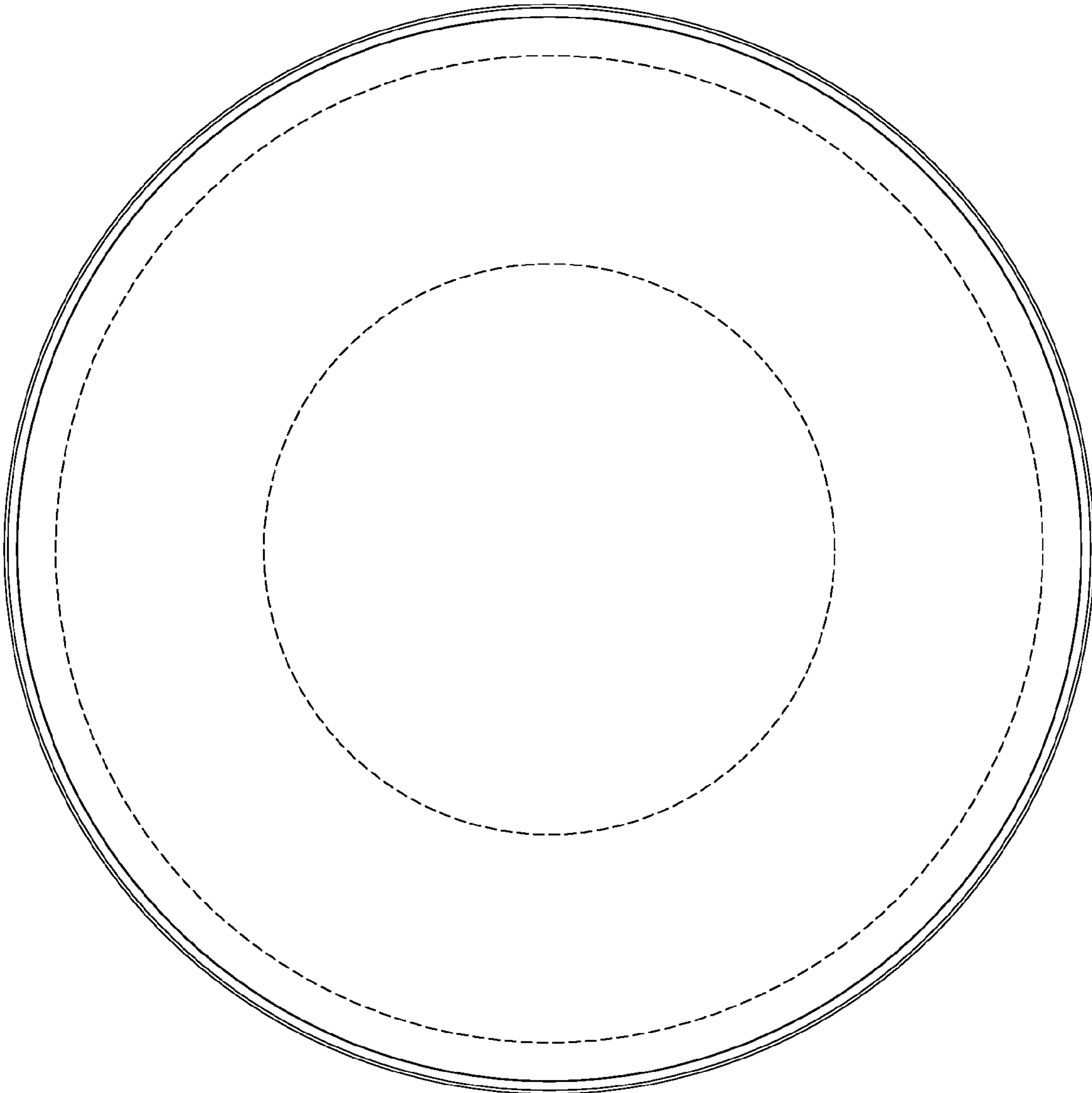


FIG-3

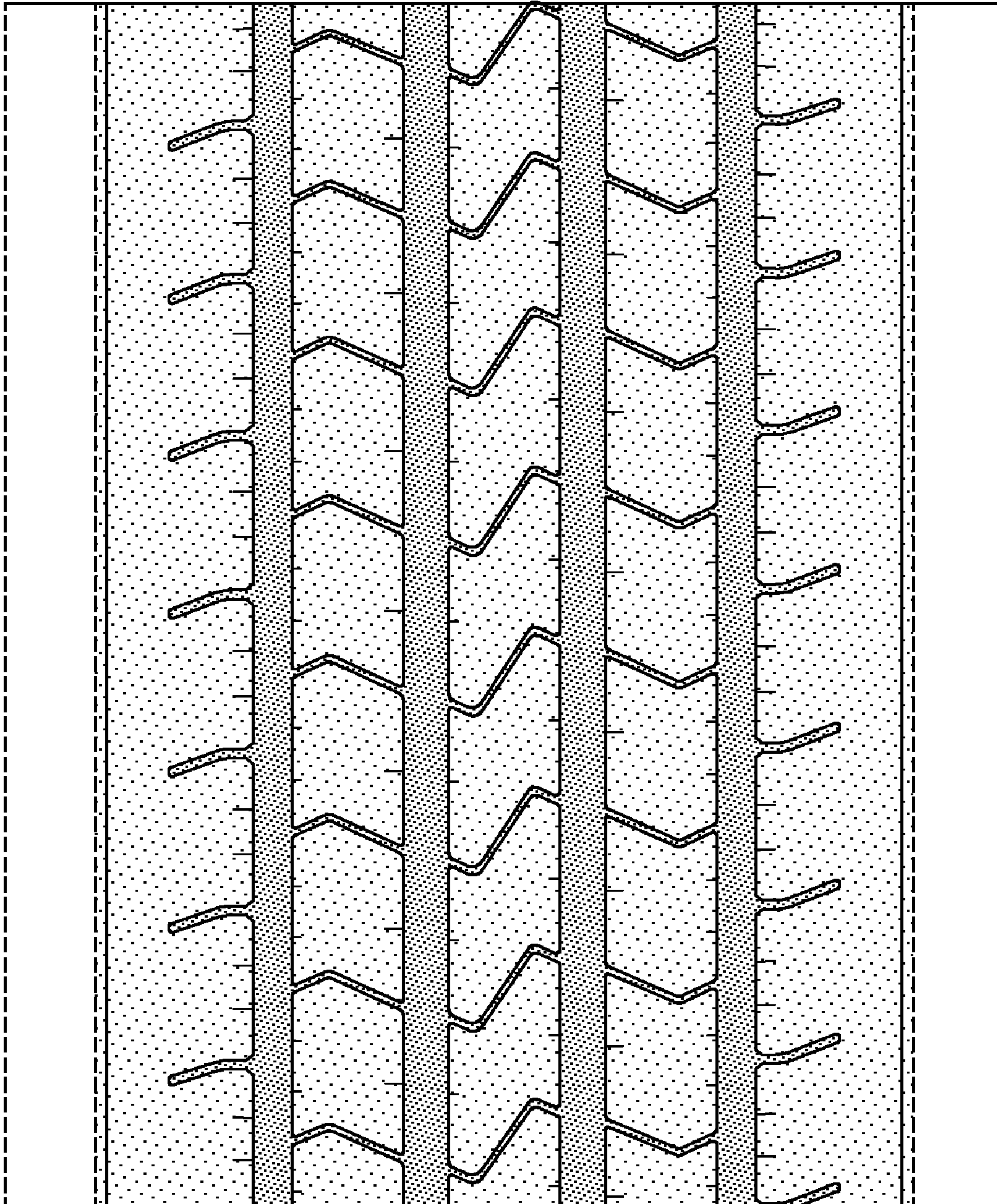


FIG-4





FIG-5

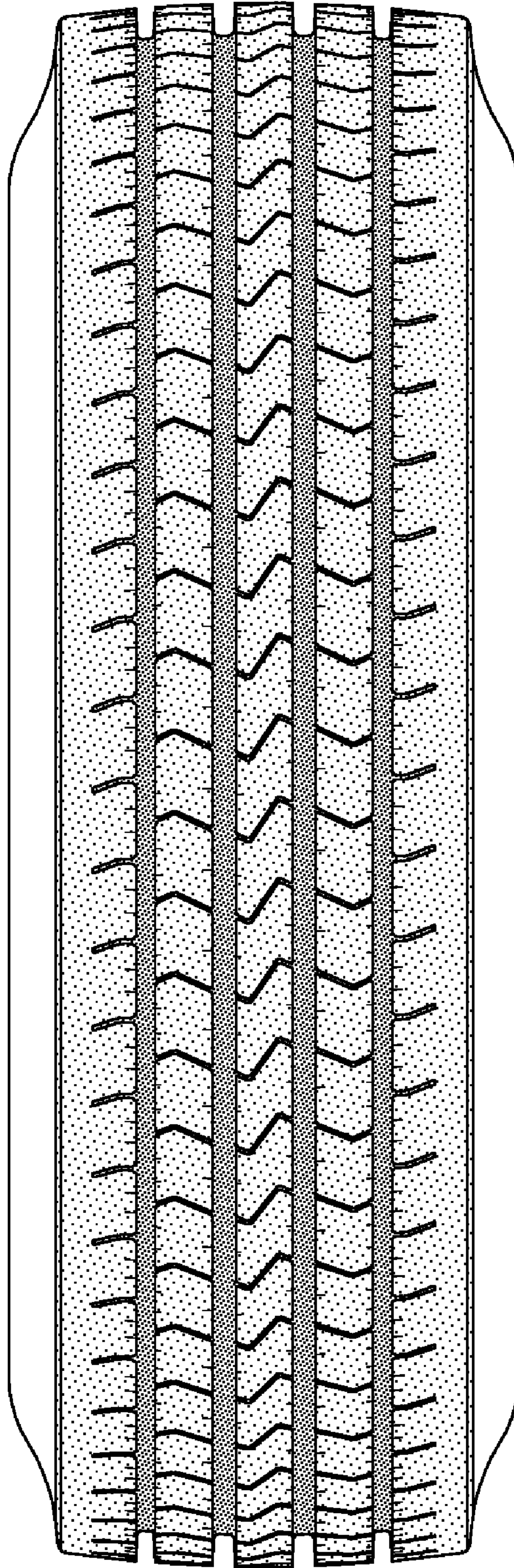


FIG-6