



US00D609162S

(12) **United States Design Patent**
Dixon et al.

(10) **Patent No.:** **US D609,162 S**
(45) **Date of Patent:** **** Feb. 2, 2010**

(54) **TIRE**

(75) Inventors: **Max Harold Dixon**, Kent, OH (US);
Joseph Thomas Janesh, Tallmadge, OH
(US); **John Kotanides, Jr.**, Canton, OH
(US)

(73) Assignee: **The Goodyear Tire & Rubber
Company**, Akron, OH (US)

(**) Term: **14 Years**

(21) Appl. No.: **29/341,155**

(22) Filed: **Jul. 31, 2009**

(51) **LOC (9) Cl.** **12-15**

(52) **U.S. Cl.** **D12/544; D12/566**

(58) **Field of Classification Search** D12/533,
D12/544-567; 152/209.1, 109.8-109.28,
152/455

See application file for complete search history.

(56) **References Cited**

U.S. PATENT DOCUMENTS

D314,169 S *	1/1991	Covert et al.	D12/566
D322,237 S *	12/1991	Nakatani	D12/566
D384,622 S	10/1997	Scheuren et al.	D12/147
D386,470 S	11/1997	Scheuren et al.	D12/147
D390,818 S *	2/1998	De Barsy et al.	D12/566
D395,265 S *	6/1998	Graas	D12/566
D397,066 S *	8/1998	Grosskopf et al.	D12/566
D399,798 S *	10/1998	Grosskopf et al.	D12/566
D420,630 S	2/2000	De Coninck et al.	D12/147
D420,954 S	2/2000	Rodicq et al.	D12/147
D451,856 S *	12/2001	Graas	D12/567
D457,128 S	5/2002	Robert et al.	D12/602
D458,580 S	6/2002	Young et al.	D12/512
D464,613 S *	10/2002	Weaver	D12/544
D474,147 S	5/2003	Zurita	D12/594
D475,008 S	5/2003	Gillard et al.	D12/594
D487,054 S *	2/2004	Welbes	D12/566

D492,643 S	7/2004	Robert	D12/579
D492,646 S	7/2004	Robert et al.	D12/600
D512,682 S *	12/2005	Krenz et al.	D12/564
D513,227 S *	12/2005	Graas	D12/564
D549,157 S *	8/2007	Maus et al.	D12/544
D555,578 S *	11/2007	Reim	D12/544
D600,195 S *	9/2009	Fontaine et al.	D12/564

* cited by examiner

Primary Examiner—Stacia Cadmus

(74) *Attorney, Agent, or Firm*—Richard B. O’Planick

(57) **CLAIM**

The ornamental design for a tire, as shown and described.

DESCRIPTION

FIG. 1 is a perspective view of a tire showing our new design, it being understood that the pattern repeats uniformly throughout the circumference of the tread;

FIG. 2 is a front elevational view thereof;

FIG. 3 is a right side elevational view thereof; the opposite side elevational view being identical thereto;

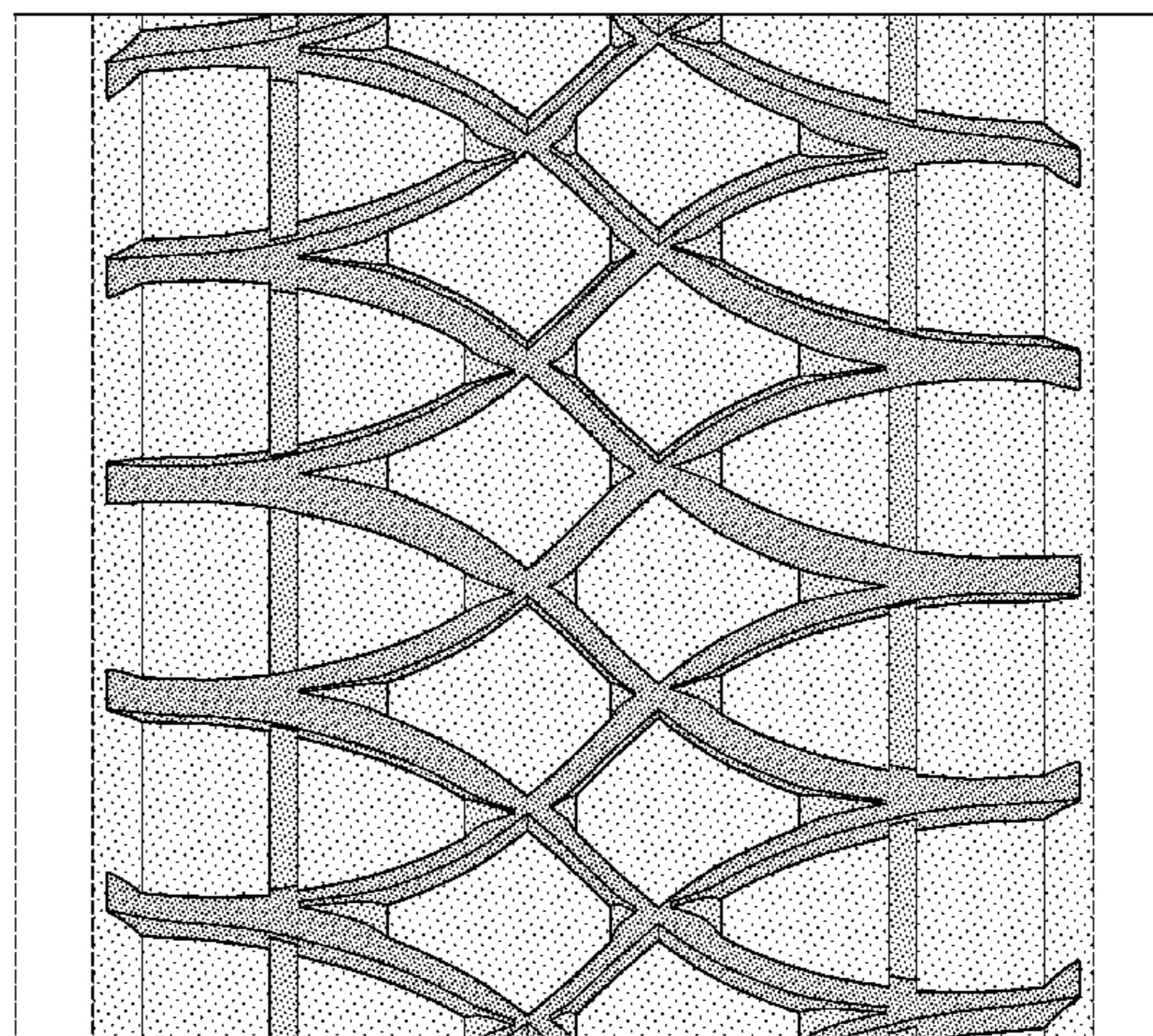
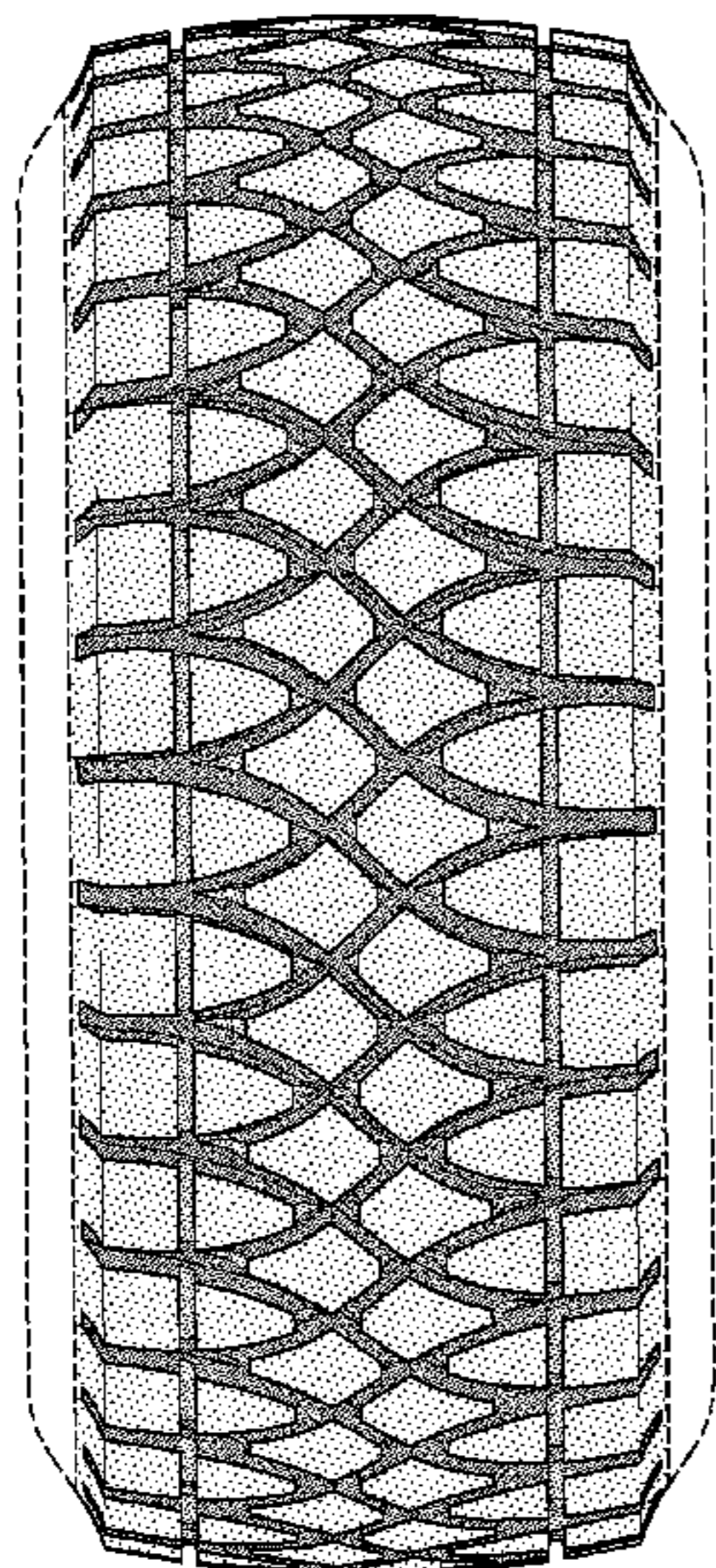
FIG. 4 is an enlarged fragmentary front elevational view thereof;

FIG. 5 is a perspective view of a second embodiment of a tire showing our new design, it being understood that the pattern repeats uniformly throughout the circumference of the tread and that the opposite side perspective view is identical thereto; and,

FIG. 6 is a front elevational view of a second embodiment, it being understood that an enlarged fragmentary view thereof would be substantially identical to that shown in FIG. 4, with the exception of the inclusion of the sidewall in solid lines.

In the drawings, the broken lines showing of the sidewall, inner bead and the peripheral boundary between the tire tread and the sidewall in FIGS. 1 through 4 depict environmental subject matter and form no part of the claimed design.

1 Claim, 6 Drawing Sheets



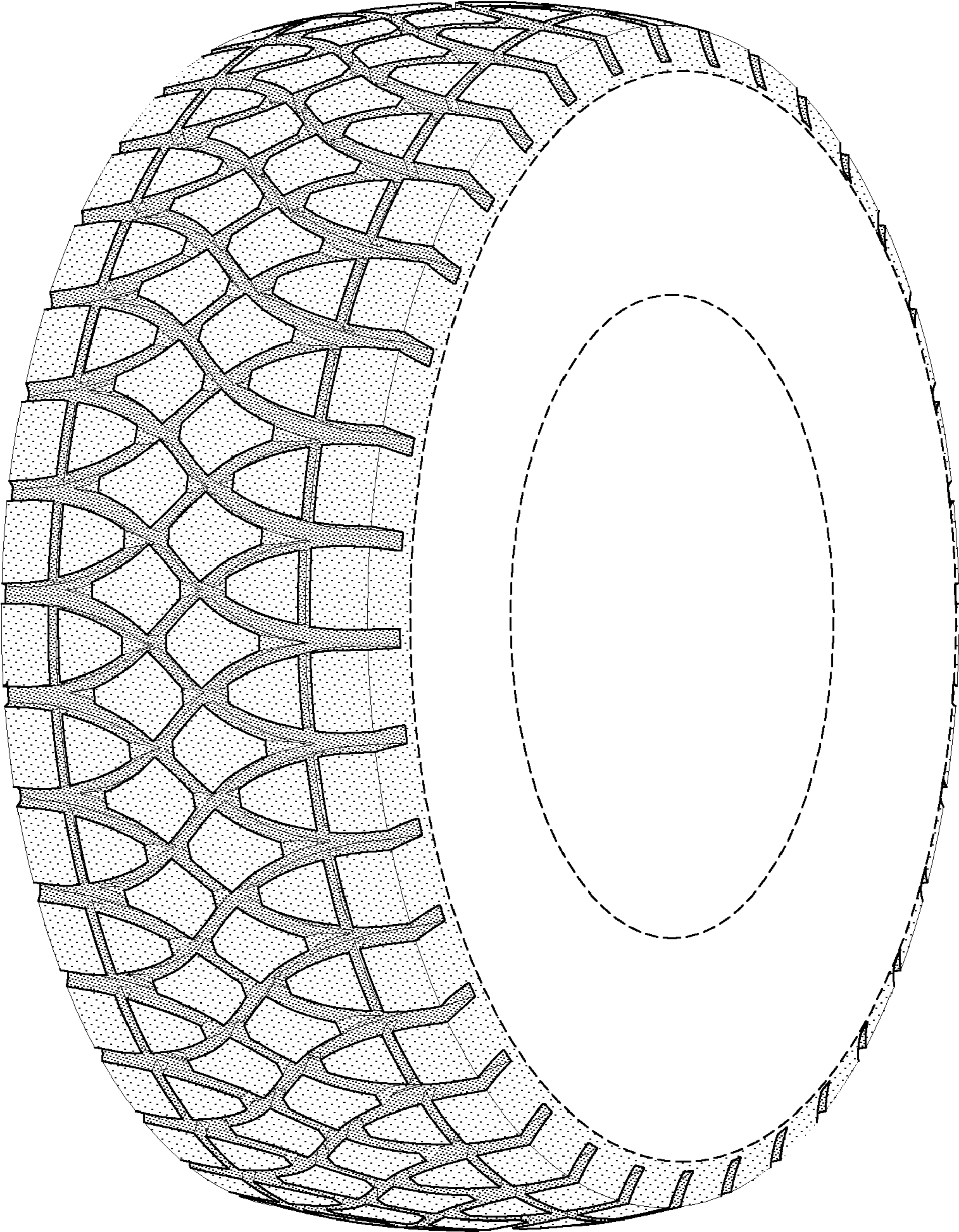


FIG-1

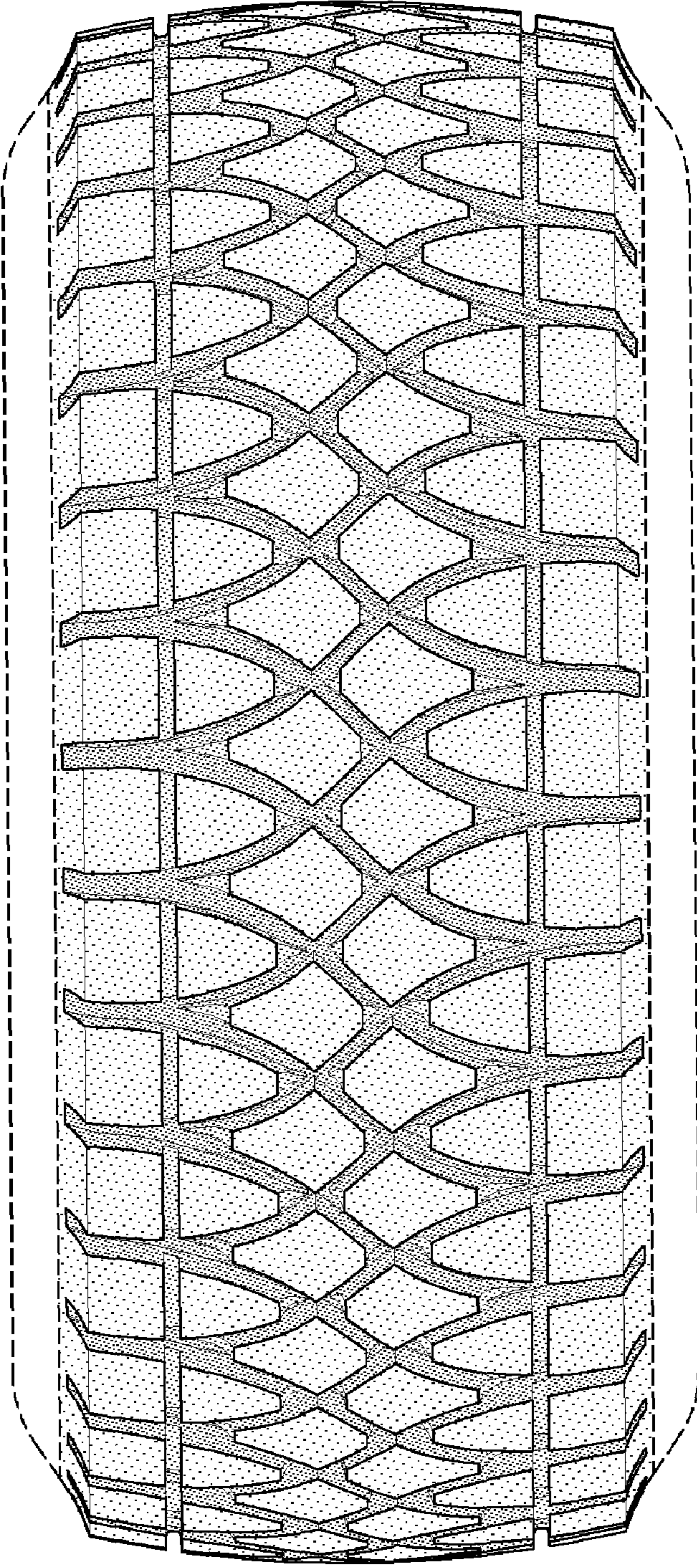


FIG-2

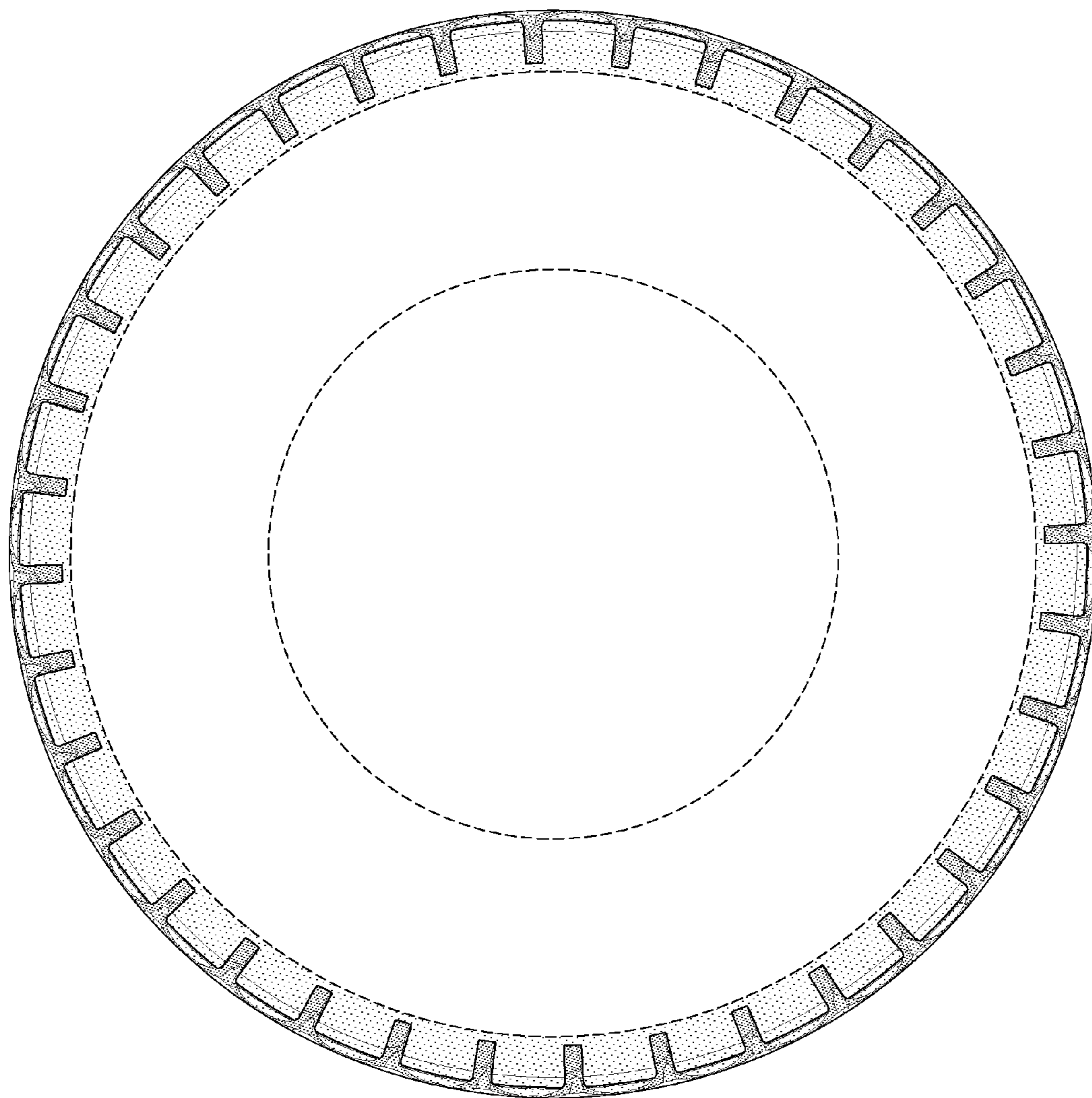


FIG-3

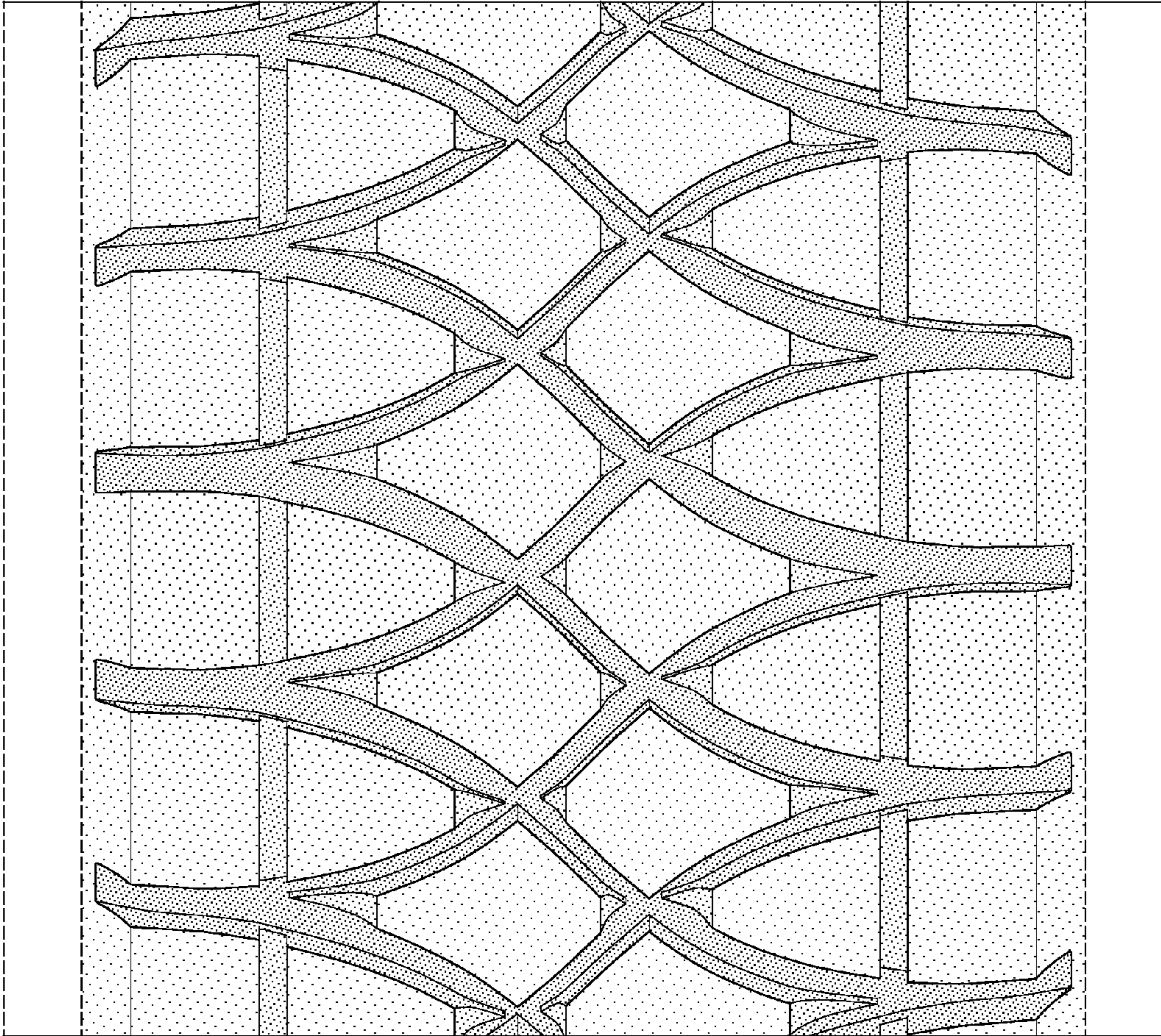


FIG-4

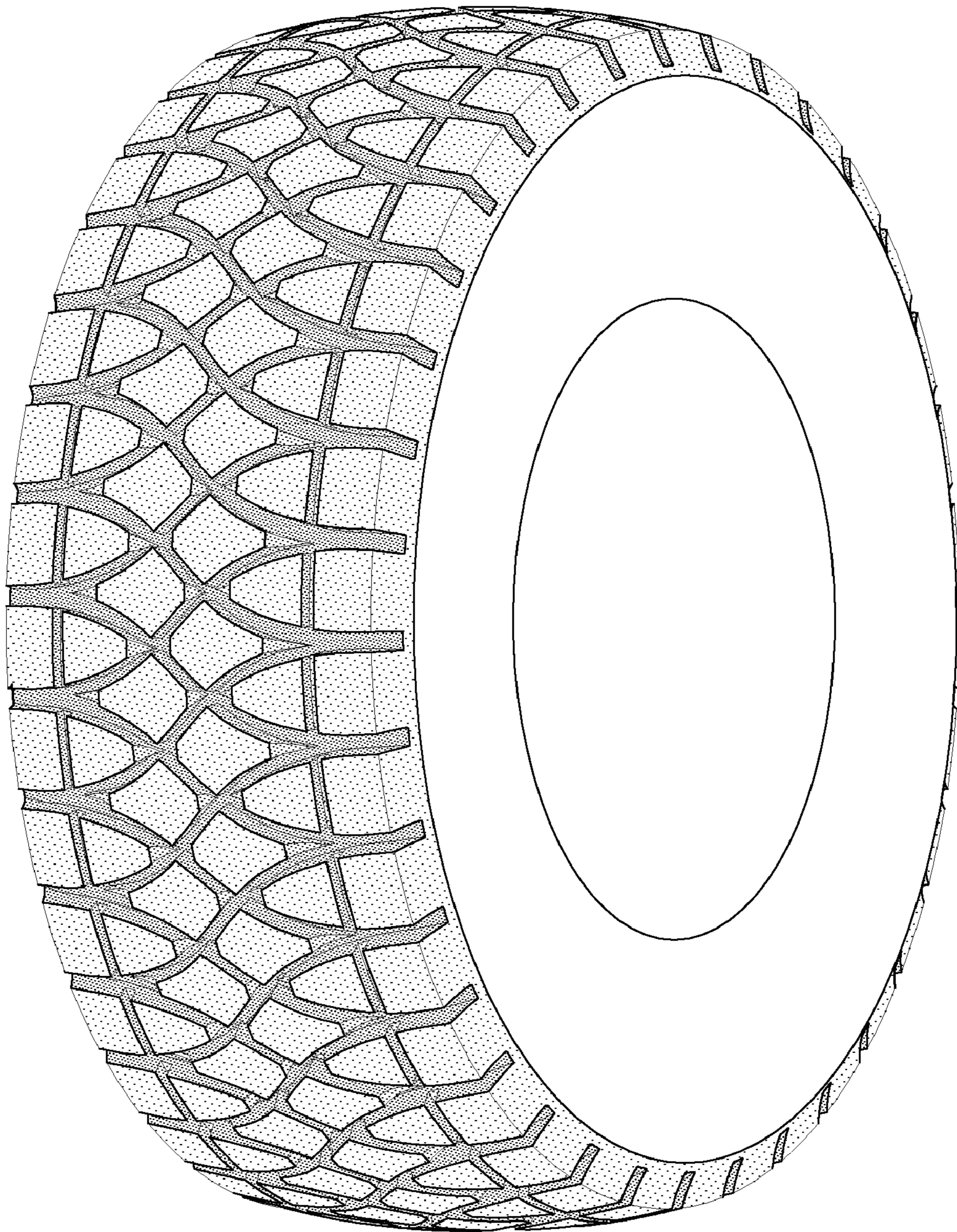


FIG-5

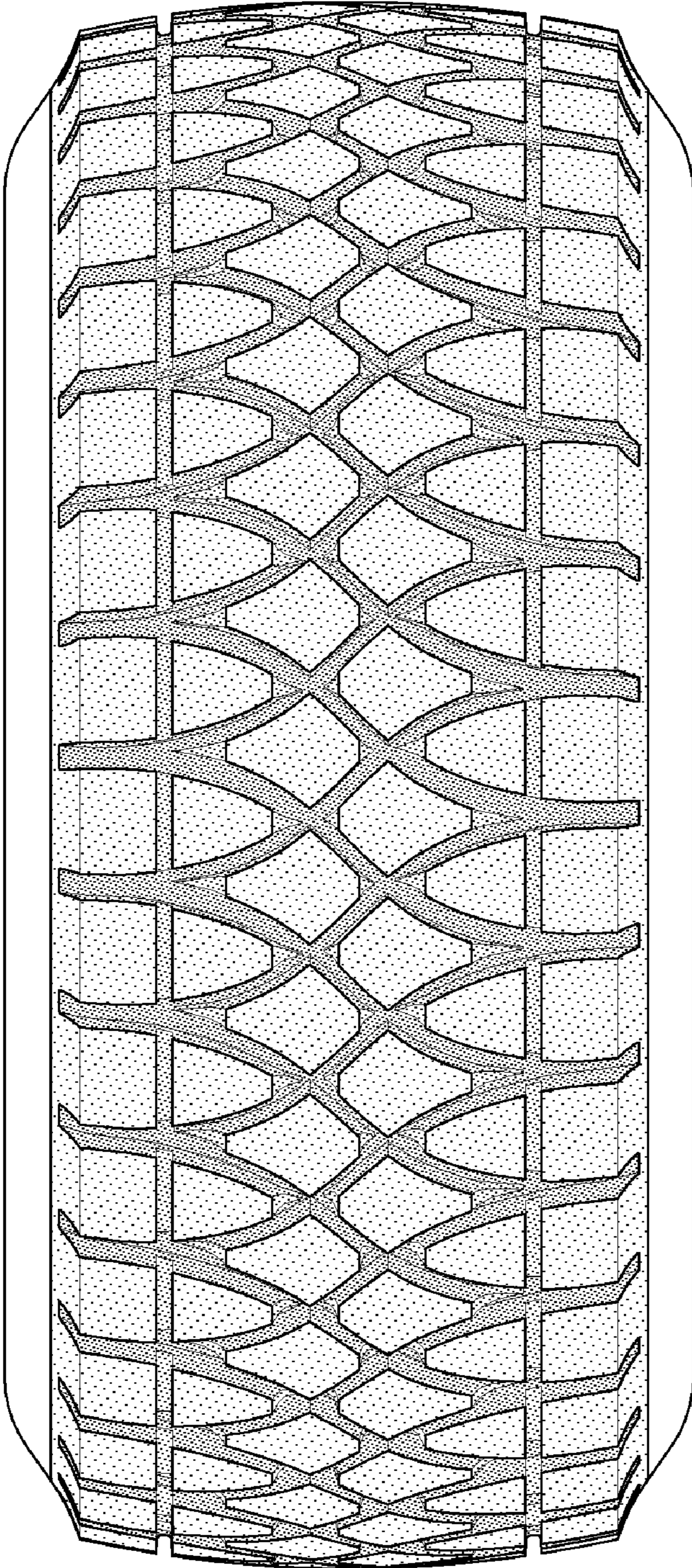


FIG-6