



US00D609161S

(12) **United States Design Patent**
Fontaine et al.

(10) **Patent No.:** **US D609,161 S**
(45) **Date of Patent:** **** Feb. 2, 2010**

(54) **TIRE**
(75) Inventors: **Sebastien Willy Fontaine**, Burden (LU);
Maurice Graas, Reichlange (LU);
Francois Marie Baumard, Luxembourg
(LU); **Jerome Marcel Germain Delu**,
Bridel (LU); **Roel Creton**, Folschette
(LU)

D512,683 S 12/2005 Dumigan et al. D12/589
D513,400 S 1/2006 Sakaguchi et al. D12/523
D515,019 S 2/2006 Umstot et al. D12/519
D519,442 S 4/2006 Sakaguchi et al. D12/519
D541,731 S 5/2007 Maziarka et al. D12/528
D558,126 S 12/2007 Shavers et al. D12/519
D558,128 S * 12/2007 Delu et al. D12/521
D559,767 S 1/2008 Graas et al. D12/521

(73) Assignee: **The Goodyear Tire & Rubber
Company**, Akron, OH (US)

(Continued)

(**) Term: **14 Years**

Primary Examiner—Caron Veynar
Assistant Examiner—George D Kirschbaum
(74) *Attorney, Agent, or Firm*—Richard B. O’Planick

(21) Appl. No.: **29/305,395**

(57) **CLAIM**

(22) Filed: **Mar. 19, 2008**

The ornamental design for a tire, as shown and described.

(51) **LOC (9) Cl.** **12-16**
(52) **U.S. Cl.** **D12/517**
(58) **Field of Classification Search** D12/505–532;
152/209.1, 209.8, 209.9, 209.12, 209.18,
152/209.25

DESCRIPTION

See application file for complete search history.

FIG. 1 is a perspective view of a tire showing our new design,
it being understood that the pattern repeats uniformly
throughout the circumference of the tread;

(56) **References Cited**

U.S. PATENT DOCUMENTS

D325,365 S 4/1992 Covert et al. D12/147
D334,360 S 3/1993 Graas et al. D12/146
D352,489 S 11/1994 Breny et al. D12/147
D365,789 S 1/1996 Lassen et al. D12/146
D384,312 S 9/1997 Powell et al. D12/147
D389,106 S 1/1998 Cagneaux et al. D12/147
D396,676 S 8/1998 Croyle D12/147
D423,422 S 4/2000 Scoover et al. D12/146
D432,961 S 10/2000 Guspodin et al. D12/147
D439,870 S 4/2001 Lovell et al. D12/146
D451,440 S 12/2001 Weber D12/146
D451,441 S 12/2001 Weber D12/146
D453,729 S 2/2002 Demagall et al. D12/523
D464,020 S 10/2002 Dahlberg et al. D12/518
D469,396 S 1/2003 Hutson et al. D12/520
D470,101 S 2/2003 Heinen D12/584
D482,323 S 11/2003 Corbin et al. D12/584
D490,045 S 5/2004 Delu et al. D12/519

FIG. 2 is a front elevational view thereof;

FIG. 3 is a right side elevational view thereof;

FIG. 4 is a left side elevational view thereof;

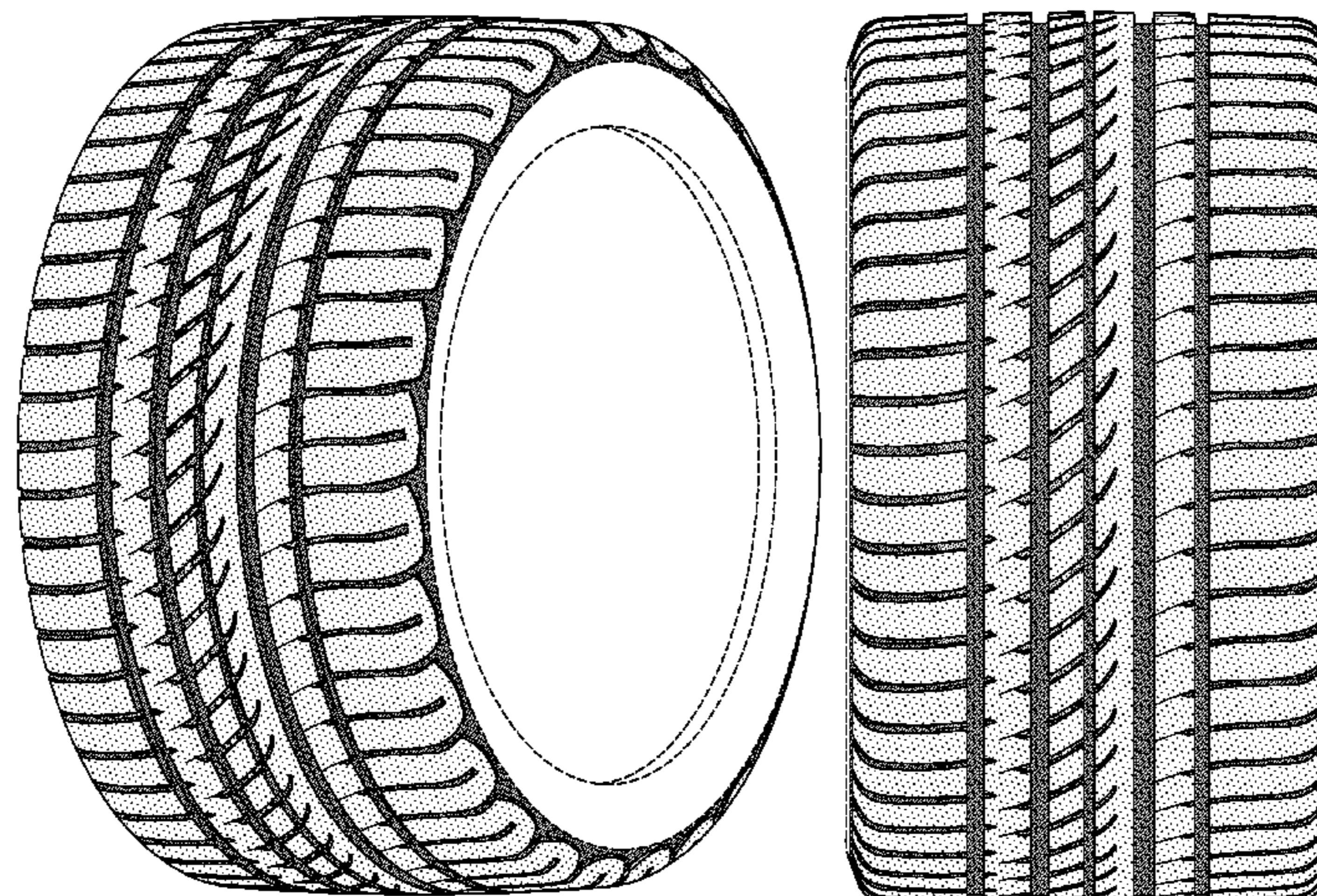
FIG. 5 is an enlarged fragmentary front elevational view
thereof;

FIG. 6 is a perspective view of a second embodiment of a tire
showing our new design, it being understood that the pattern
repeats uniformly throughout the circumference of the tread;
and,

FIG. 7 is a front elevational view of a second embodiment, it
being understood that an enlarged fragmentary view thereof
would be substantially identical to that shown in FIG. 5, with
the exception of the inclusion of the sidewall in solid lines.

In the drawings the broken lines defining the sidewall, inner
bead and the peripheral boundary between the tire tread and
the sidewall in FIGS. 1 through 5 are for illustrative purposes
only and form no part of the claimed design.

1 Claim, 7 Drawing Sheets



US D609,161 S

Page 2

U.S. PATENT DOCUMENTS

D561,682 S *	2/2008	Ohki	D12/519	D586,726 S *	2/2009	Baumard et al.	D12/521
D561,683 S *	2/2008	Kiwaki	D12/519	D599,276 S *	9/2009	Fontaine et al.	D12/519
D584,213 S *	1/2009	Shinkai	D12/519	D599,277 S *	9/2009	Froger et al.	D12/521

* cited by examiner

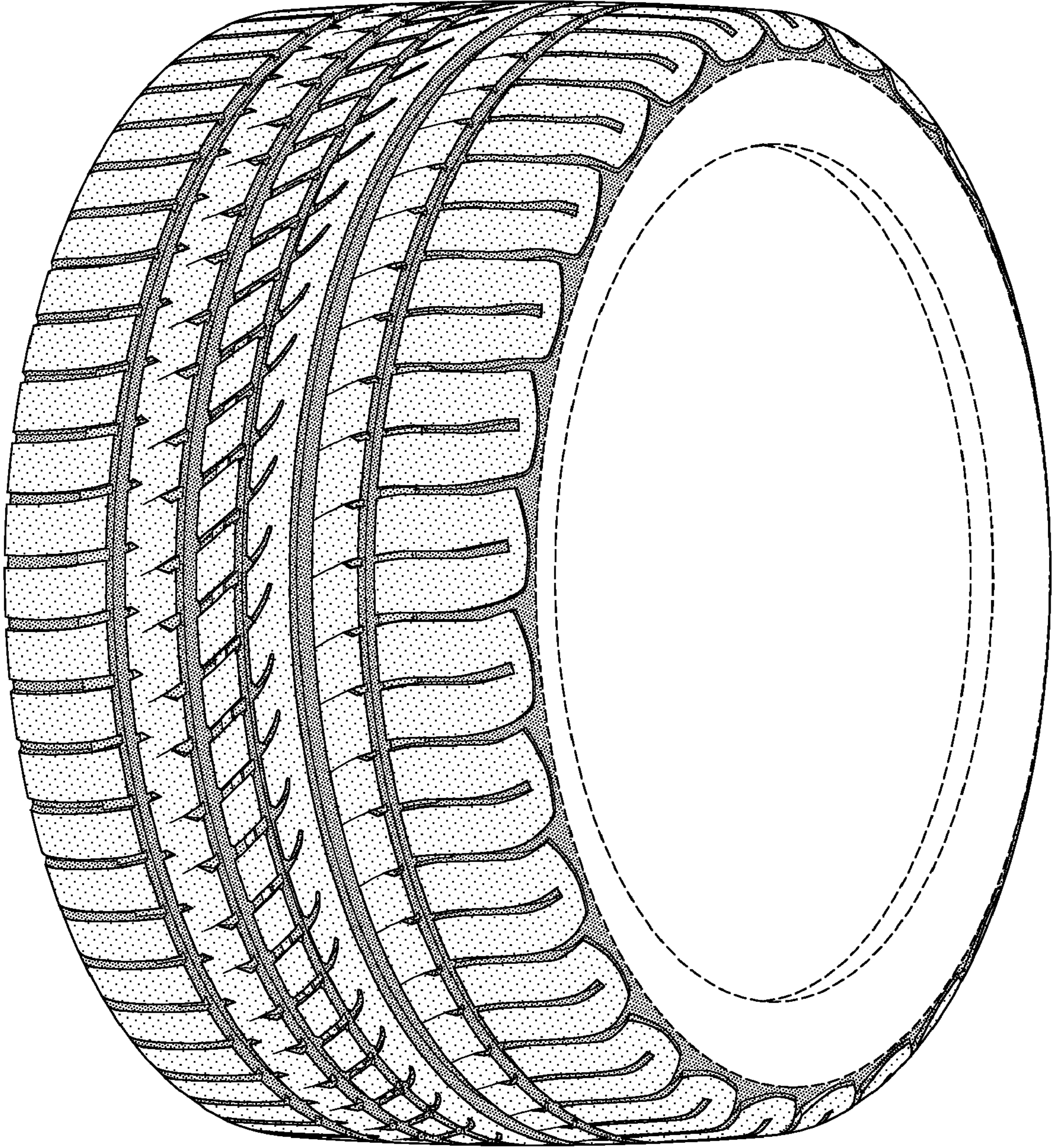


FIG-1

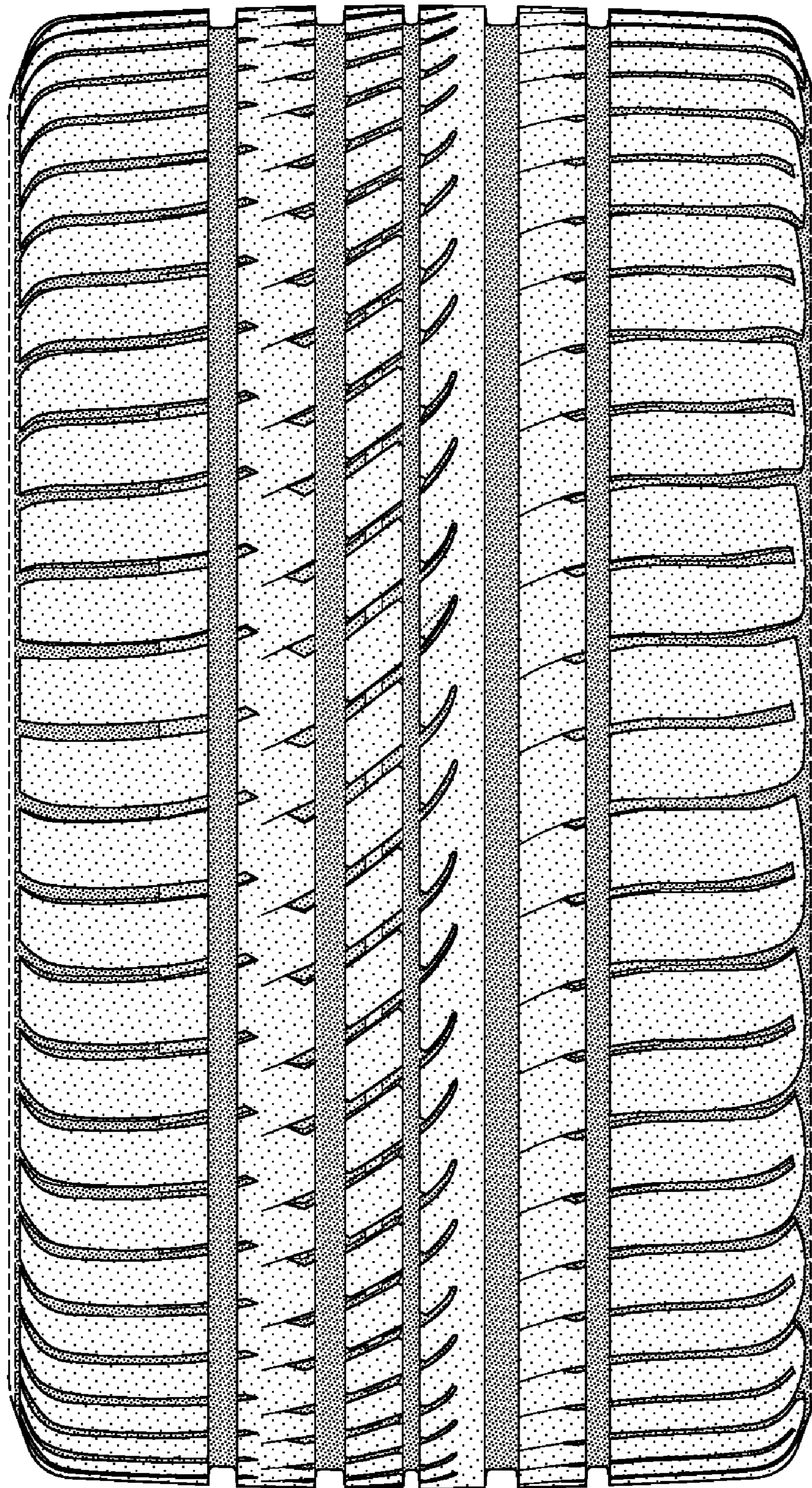


FIG-2

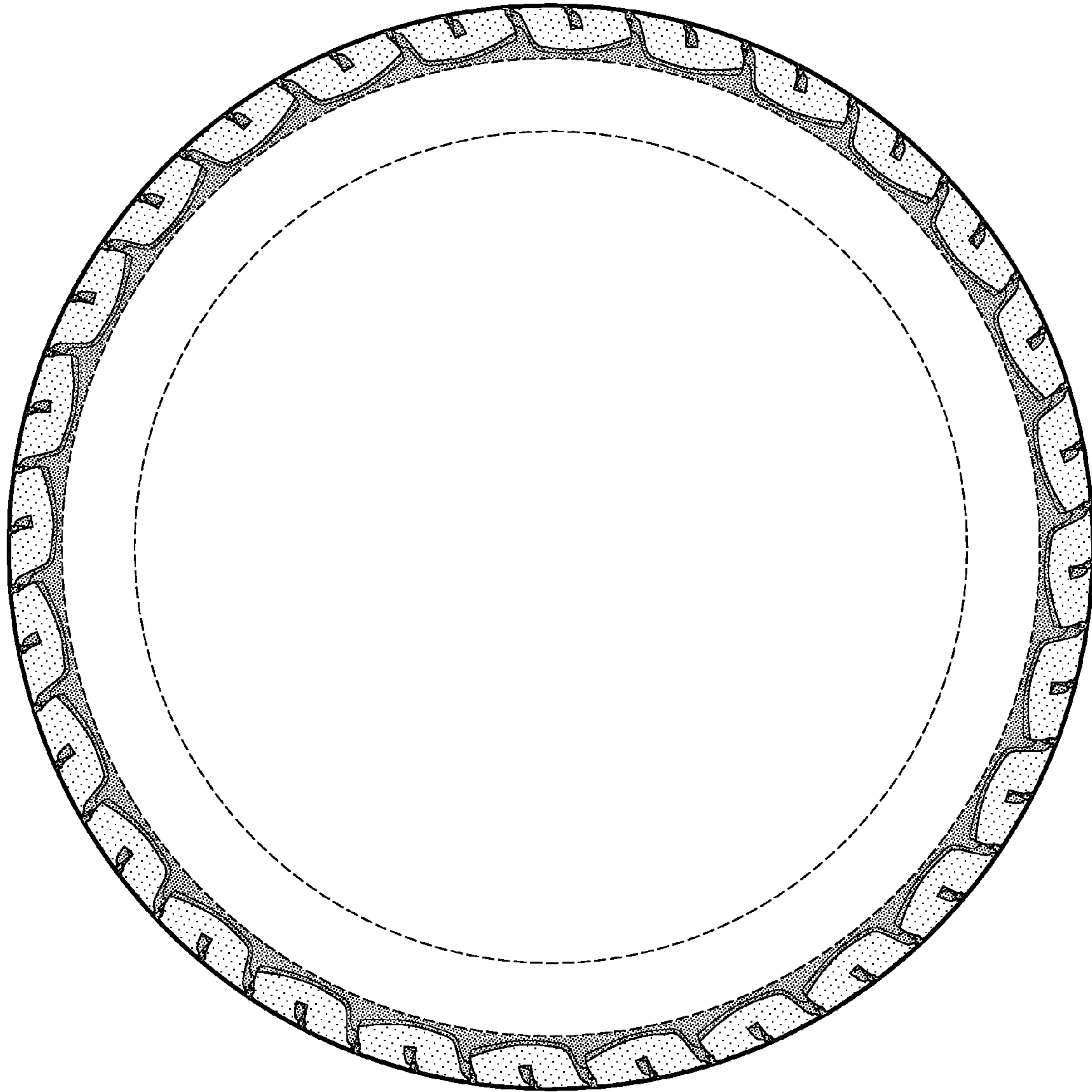


FIG-3

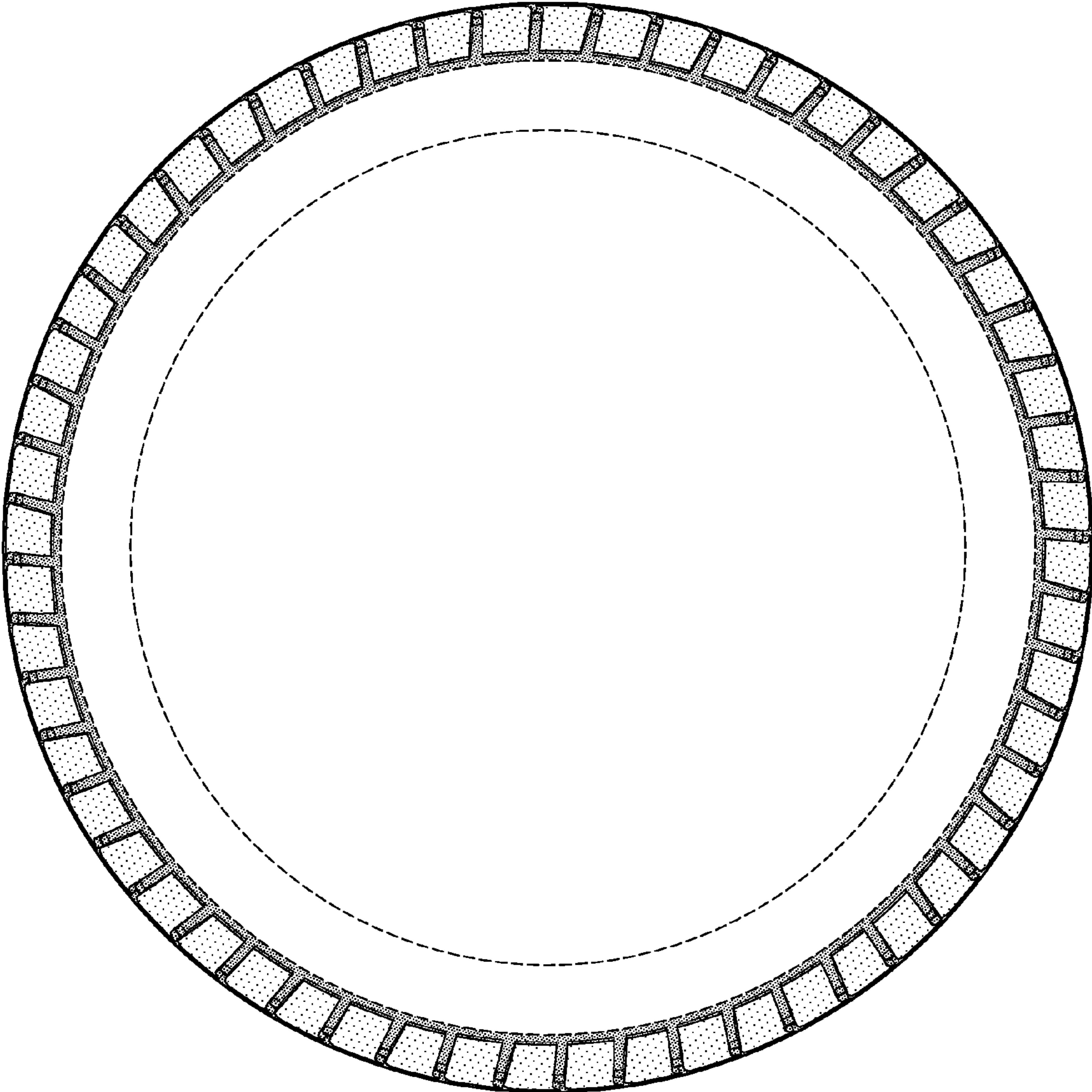


FIG-4

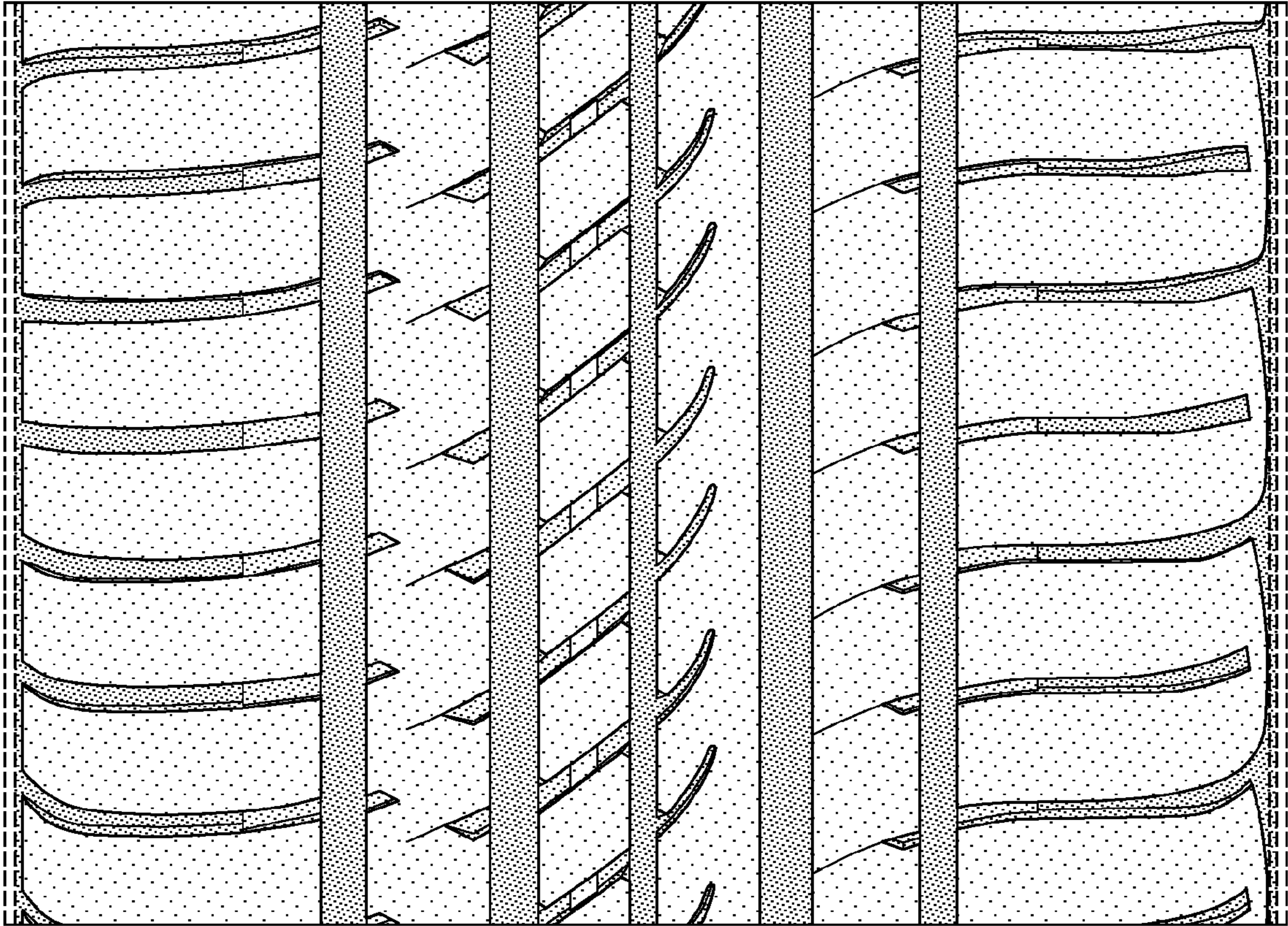


FIG-5

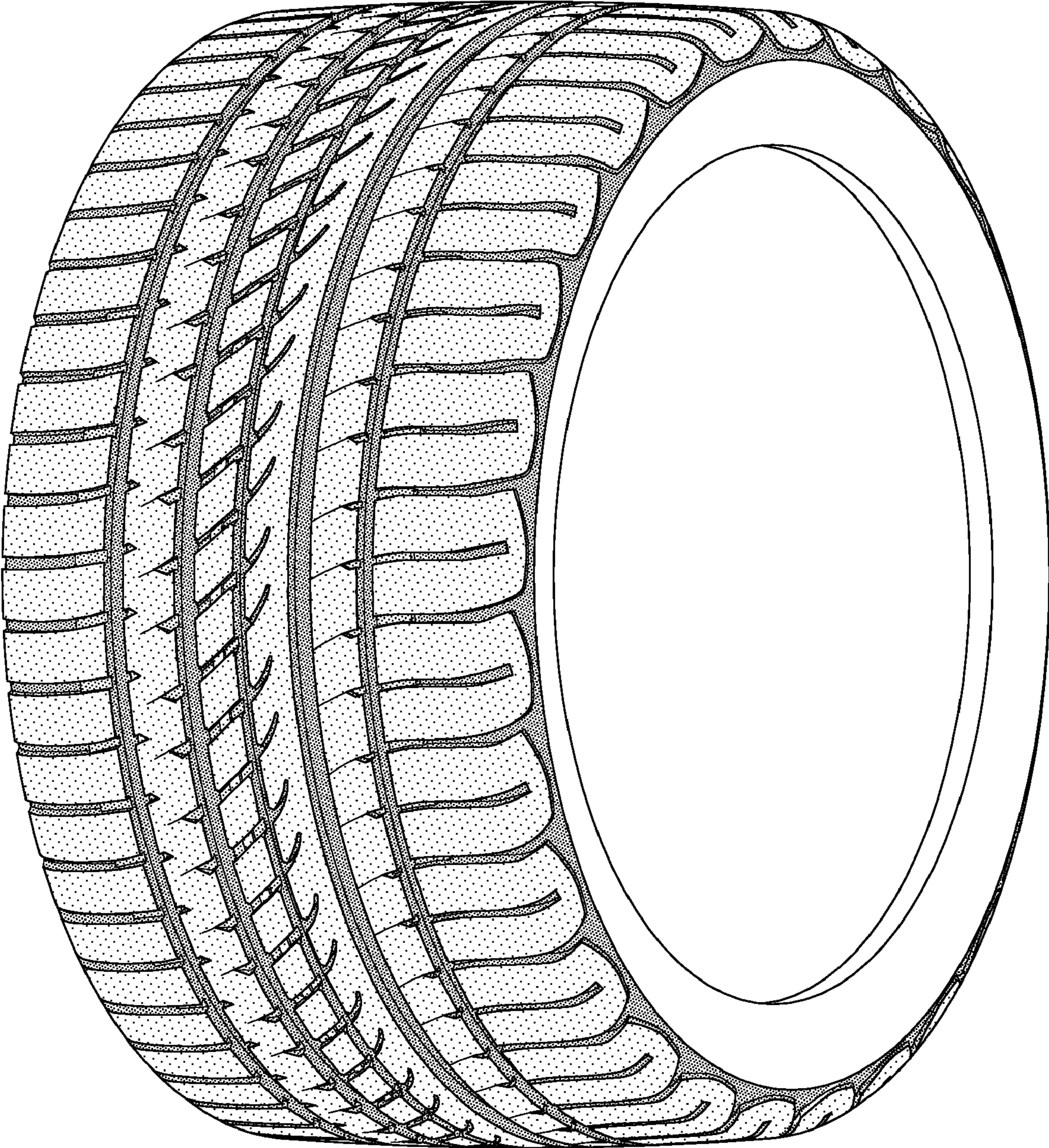


FIG-6

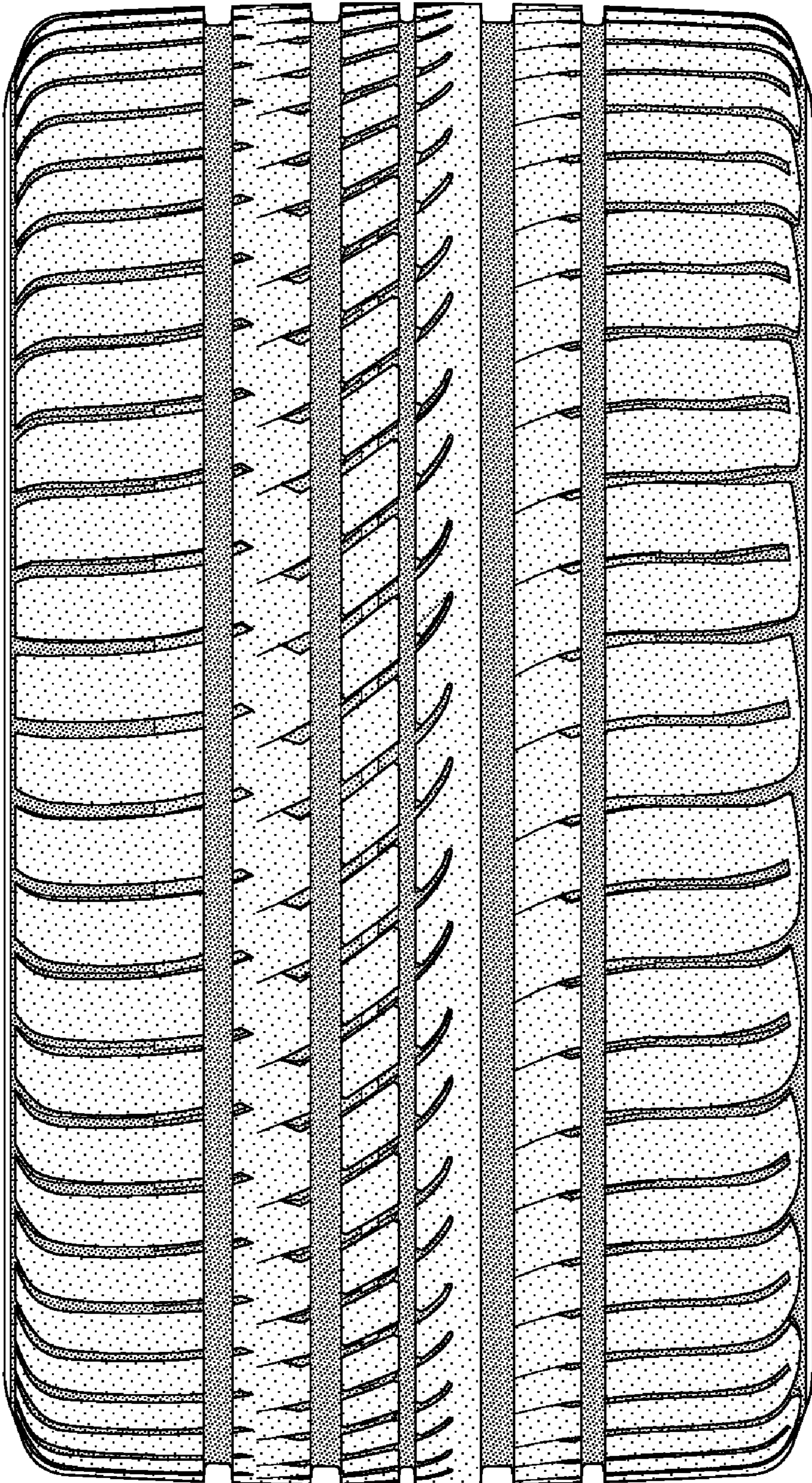


FIG-7