



US00D609158S

(12) **United States Design Patent**
Bird et al.

(10) **Patent No.:** **US D609,158 S**

(45) **Date of Patent:** **** Feb. 2, 2010**

(54) **WHEEL CHOCK HAVING A ROLLER ASSIST**

(76) Inventors: **Steve K. Bird**, 3401 N. 9th St., St. Louis, MO (US) 63147; **Robert Bales**, 3401 N. 9th St., St. Louis, MO (US) 63147

(**) Term: **14 Years**

(21) Appl. No.: **29/316,603**

(22) Filed: **Oct. 13, 2009**

(51) **LOC (9) Cl.** **12-06**

(52) **U.S. Cl.** **D12/217**

(58) **Field of Classification Search** D12/217, D12/203, 400, 120, 180, 114; D8/402; 14/69.5, 14/71.5; 280/293, 507; 267/139-140; 410/30, 410/49; 211/20; 188/5, 32, 36; 186/32, 186/52; 248/346, 352, 221.12, 222.41, 222.51; D34/35

See application file for complete search history.

(56) **References Cited**

U.S. PATENT DOCUMENTS

D316,243 S * 4/1991 Henry D12/217
D389,796 S * 1/1998 Olson D12/217
6,336,527 B1 * 1/2002 Metz 188/32

6,390,245 B1 * 5/2002 Metz 188/32
D489,310 S * 5/2004 Olson et al. D12/217
7,032,720 B2 * 4/2006 Jette et al. 188/36
D552,527 S * 10/2007 Wolfram D12/217

* cited by examiner

Primary Examiner—Stacia Cadmus

(74) *Attorney, Agent, or Firm*—Kevin L. King; Draftsmans David W. McGuire

(57) **CLAIM**

The ornamental design for a wheel chock having a roller assist, as shown and described.

DESCRIPTION

FIG. 1 is a right front perspective view of a wheel chock having a roller assist;

FIG. 2 is a front view thereof;

FIG. 3 is a rear view thereof;

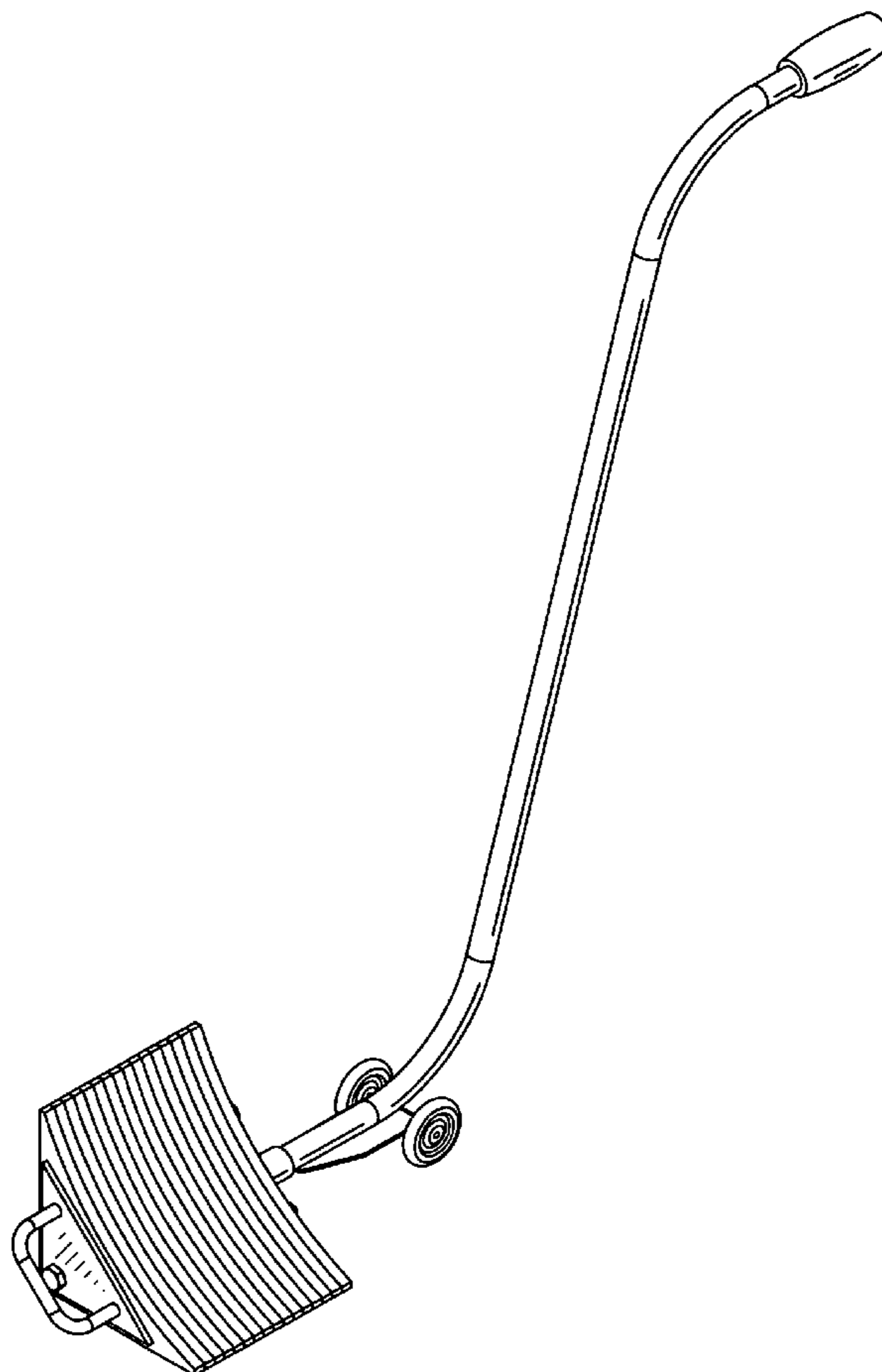
FIG. 4 is a left side plan view thereof;

FIG. 5 is a right side plan view thereof;

FIG. 6 is a top plan view thereof; and,

FIG. 7 is a bottom plan view thereof.

1 Claim, 5 Drawing Sheets



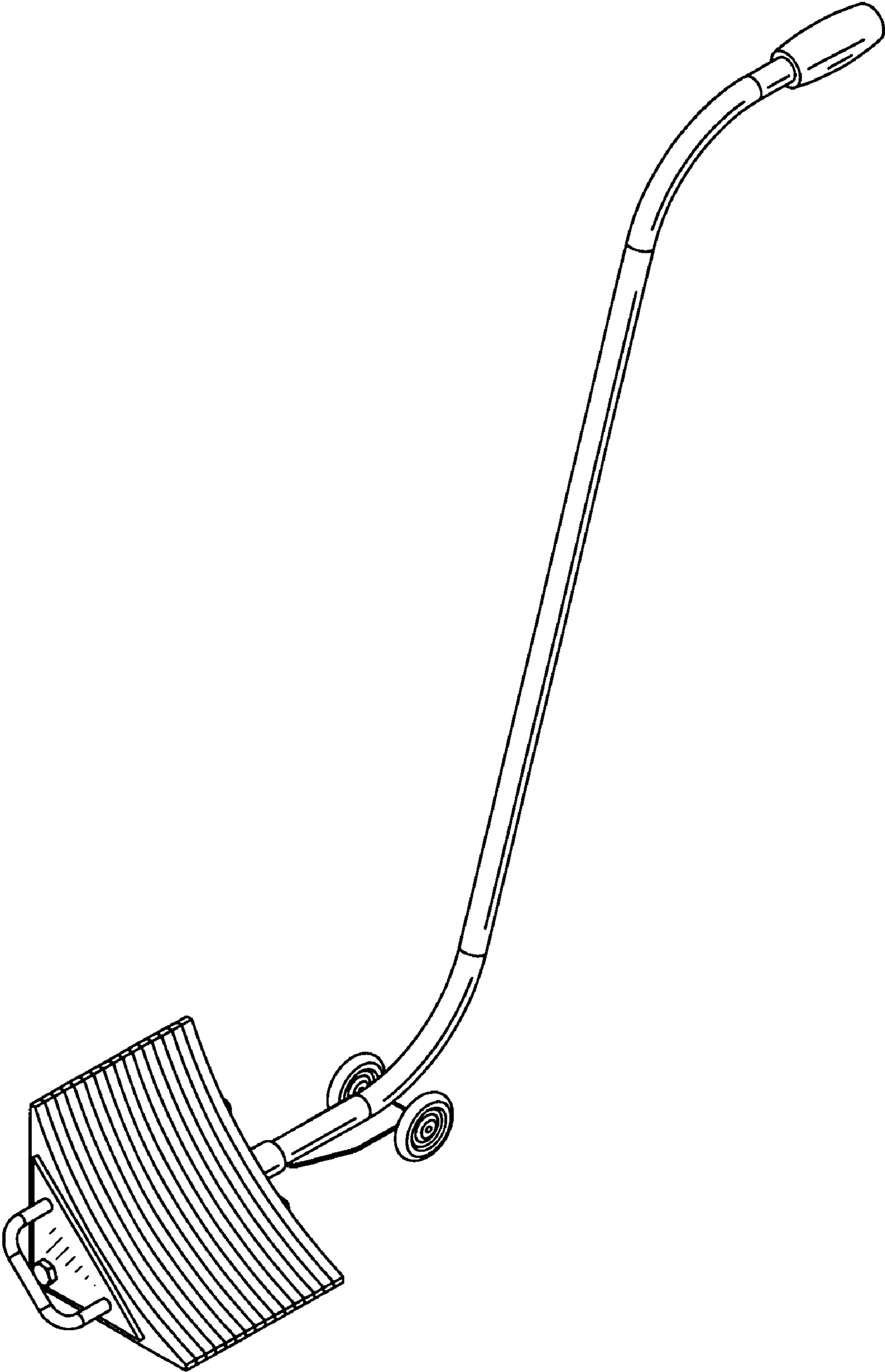


Fig. 1

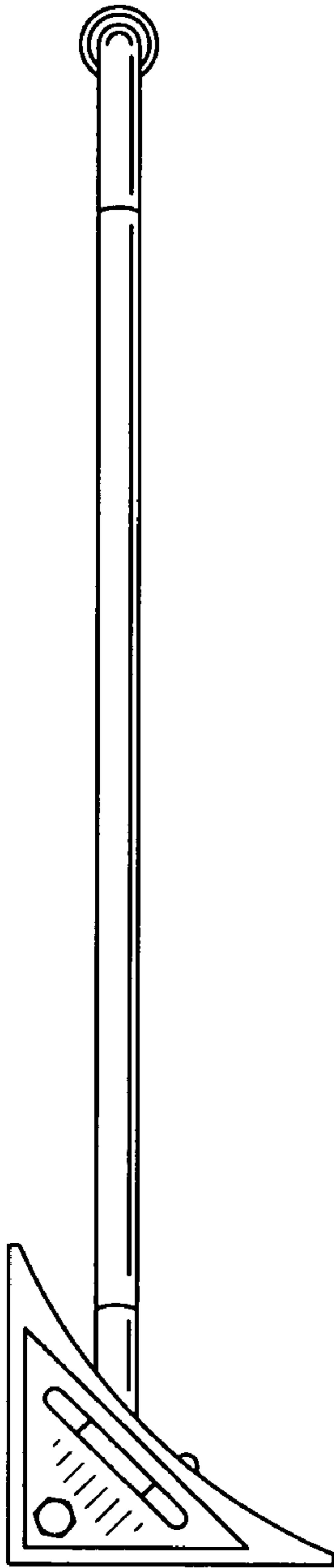


Fig. 2

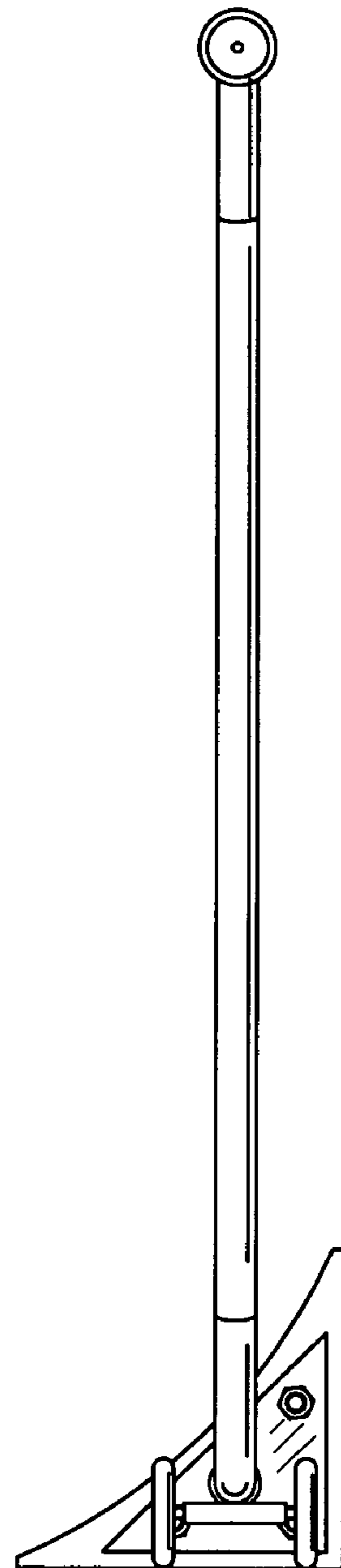


Fig. 3

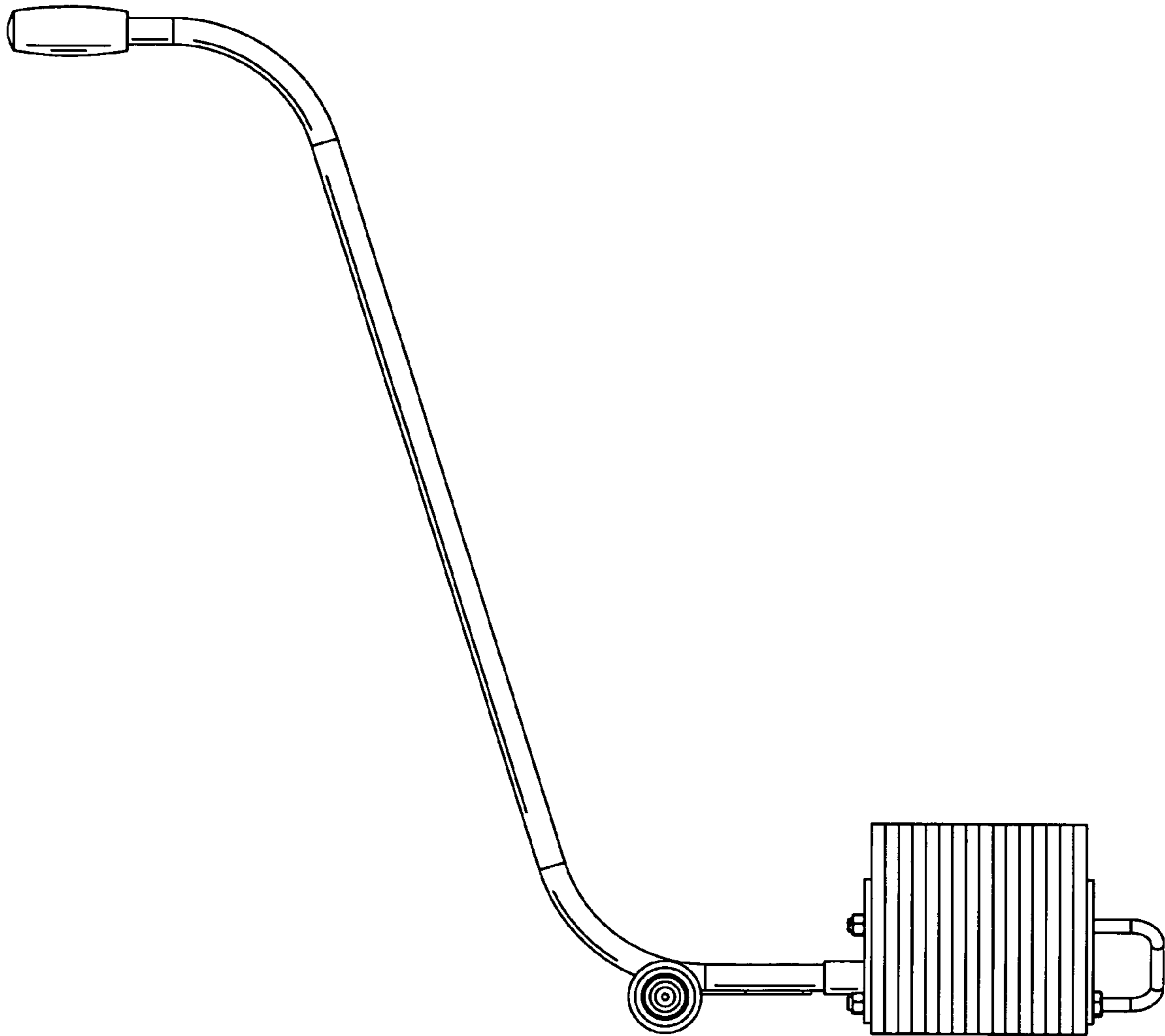


Fig. 4

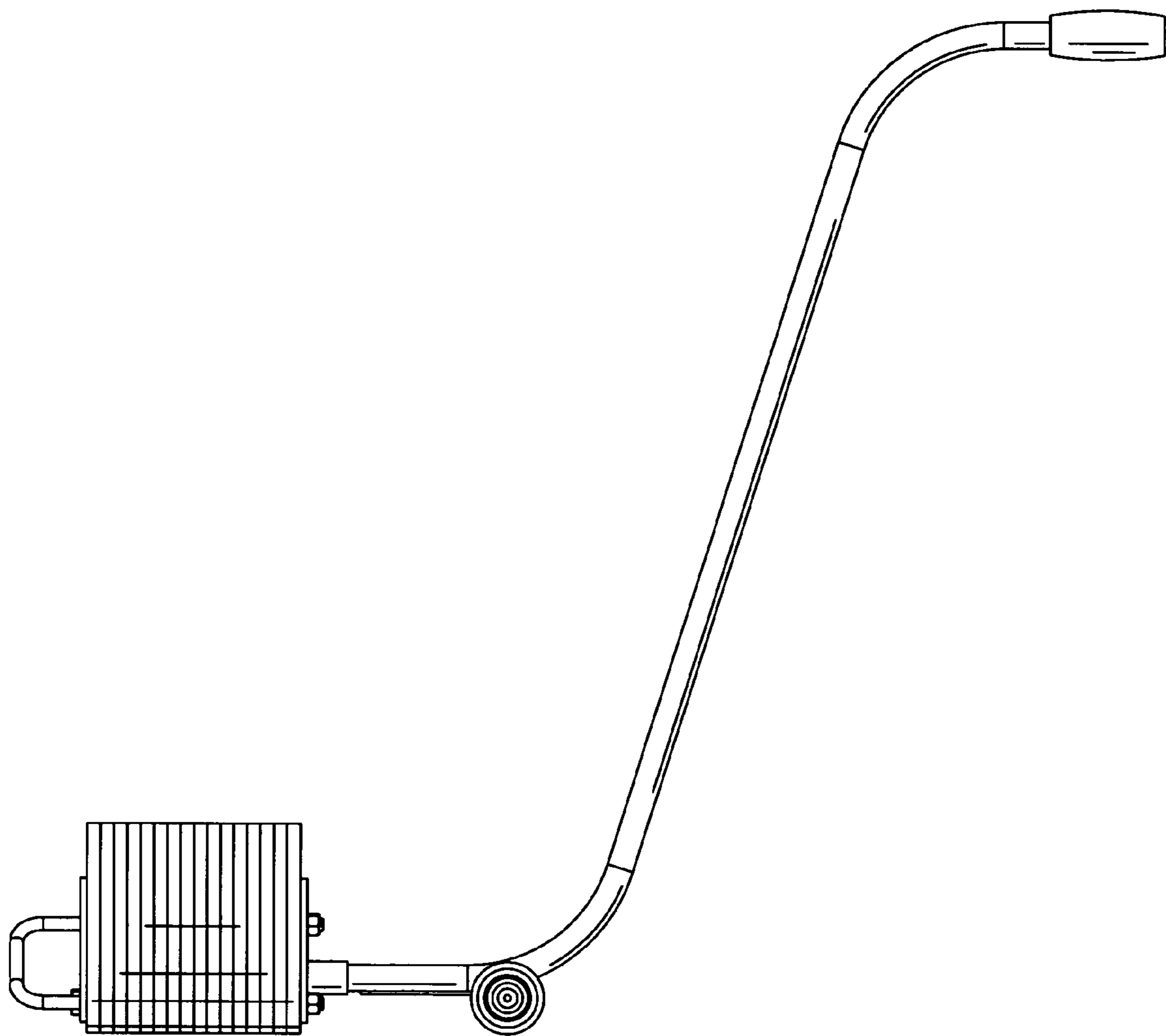


Fig. 5

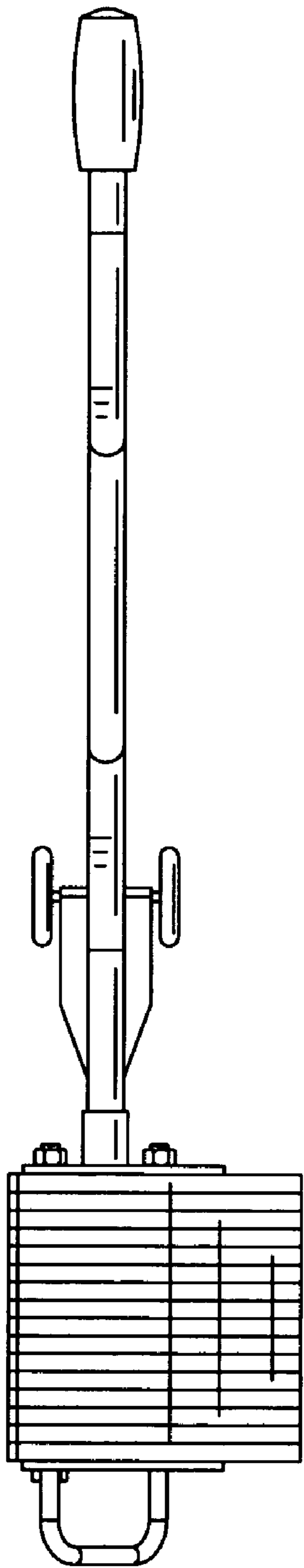


Fig. 6

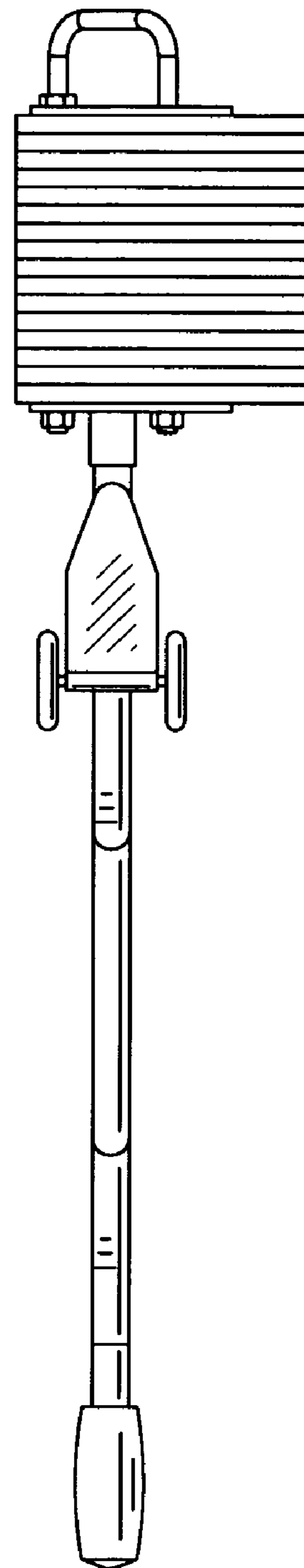


Fig. 7