



US00D609146S

(12) **United States Design Patent**
Carmona

(10) **Patent No.:** **US D609,146 S**

(45) **Date of Patent:** **** Feb. 2, 2010**

(54) **BICYCLE HANDLE BARS**

D345,955 S 4/1994 Jeshurun et al.
6,003,405 A * 12/1999 Giard 74/551.3
D499,055 S 11/2004 Chiang et al.

(76) Inventor: **John Carmona**, 12 Ardmore Dr., San Gabriel, CA (US) 91775

* cited by examiner

(**) Term: **14 Years**

Primary Examiner—Philip S Hyder
Assistant Examiner—Linda G. Brooks

(21) Appl. No.: **29/340,264**

(74) *Attorney, Agent, or Firm*—Marc E. Hankin; Kevin E. Schraven; Hankin Patent Law, APC

(22) Filed: **Jul. 15, 2009**

(57) **CLAIM**

Related U.S. Application Data

(63) Continuation-in-part of application No. 29/328,278, filed on Nov. 21, 2008.

The ornamental design for the bicycle handle bars, as shown and described.

(51) **LOC (9) Cl.** **12-11**

DESCRIPTION

(52) **U.S. Cl.** **D12/178**

FIG. 1 is a perspective back, top, and side view of the bicycle handle bars.

(58) **Field of Classification Search** D12/178,

FIG. 2 is a side view of the bicycle handle bars.

D12/111; 74/551.1–551.9; 280/281.1, 274

FIG. 3 is a top view of the bicycle handle bars.

See application file for complete search history.

FIG. 4 is a back view of the bicycle handle bars; and,

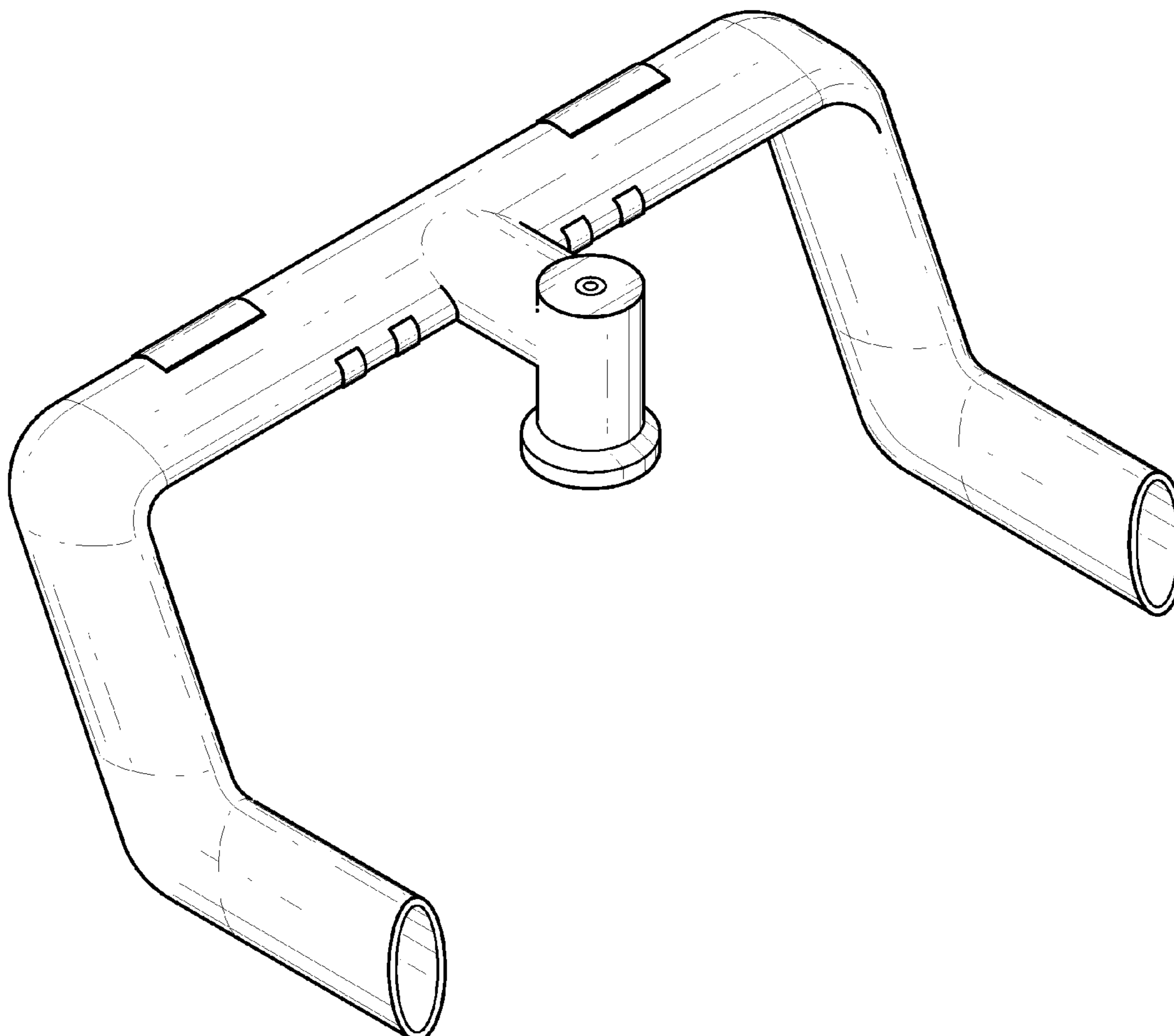
(56) **References Cited**

FIG. 5 is a perspective front and bottom view of the bicycle handle bars.

U.S. PATENT DOCUMENTS

4,829,847 A 5/1989 Modolo
5,083,476 A 1/1992 Borromeo

1 Claim, 3 Drawing Sheets



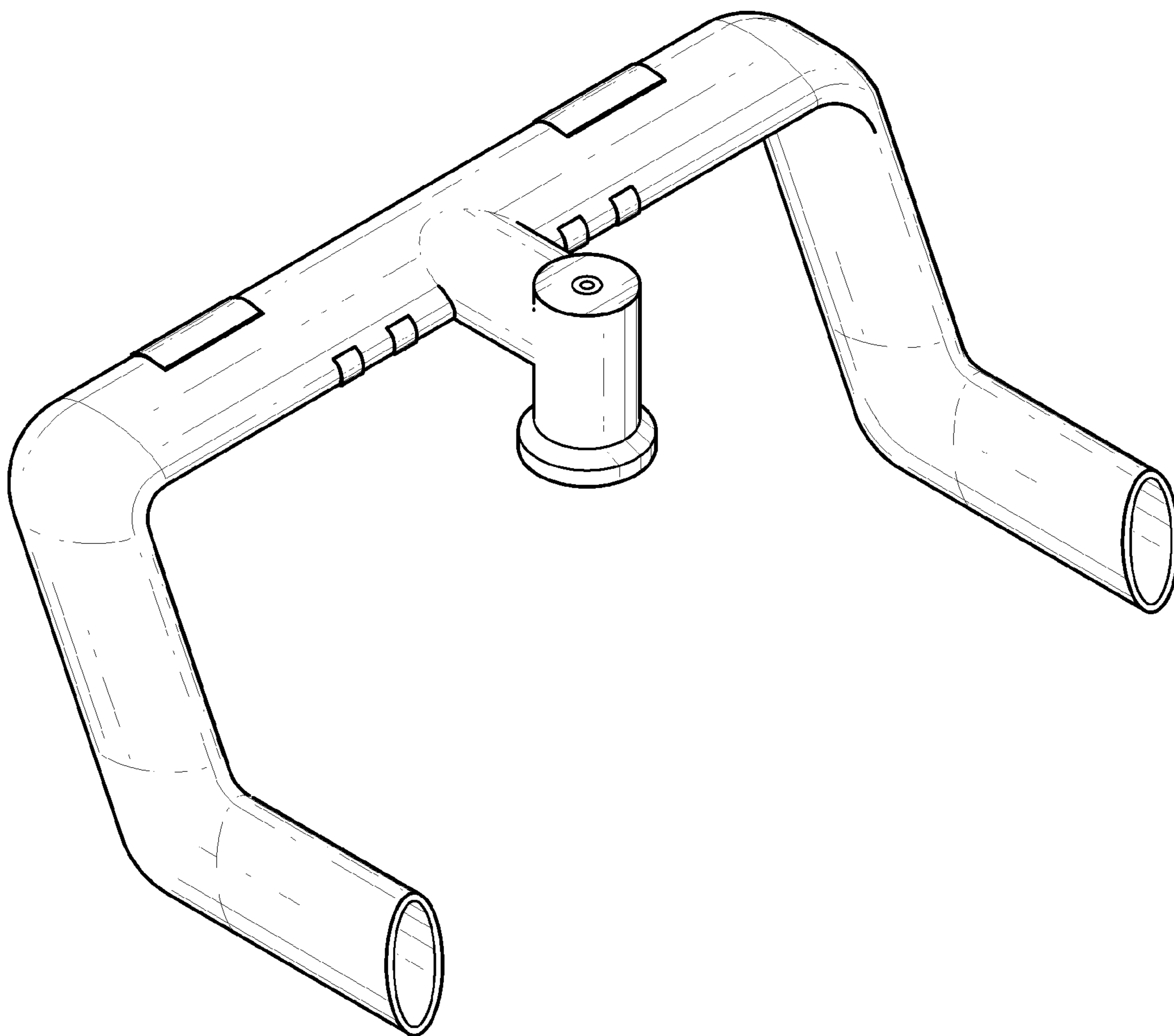


FIG. 1

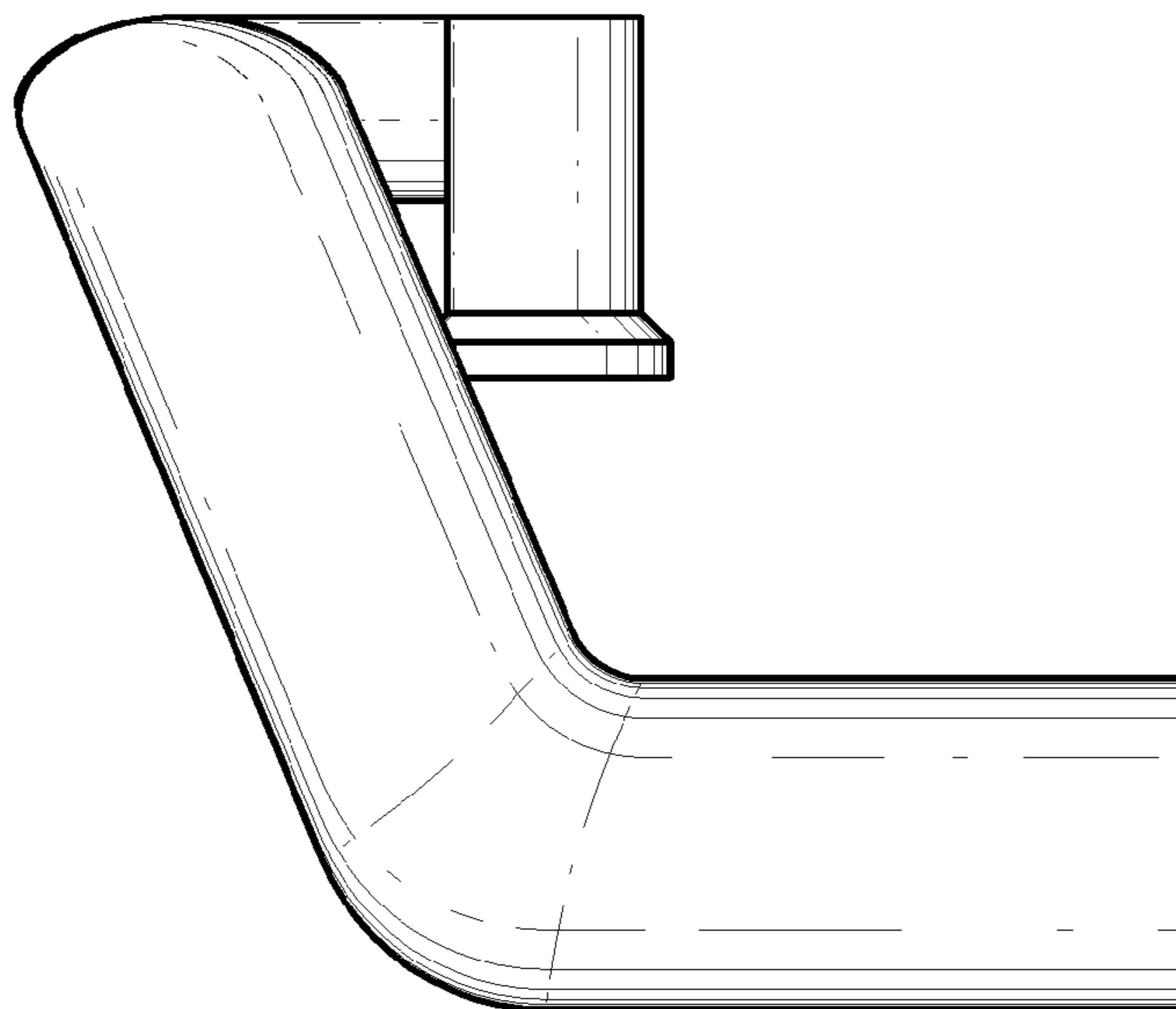


FIG. 2

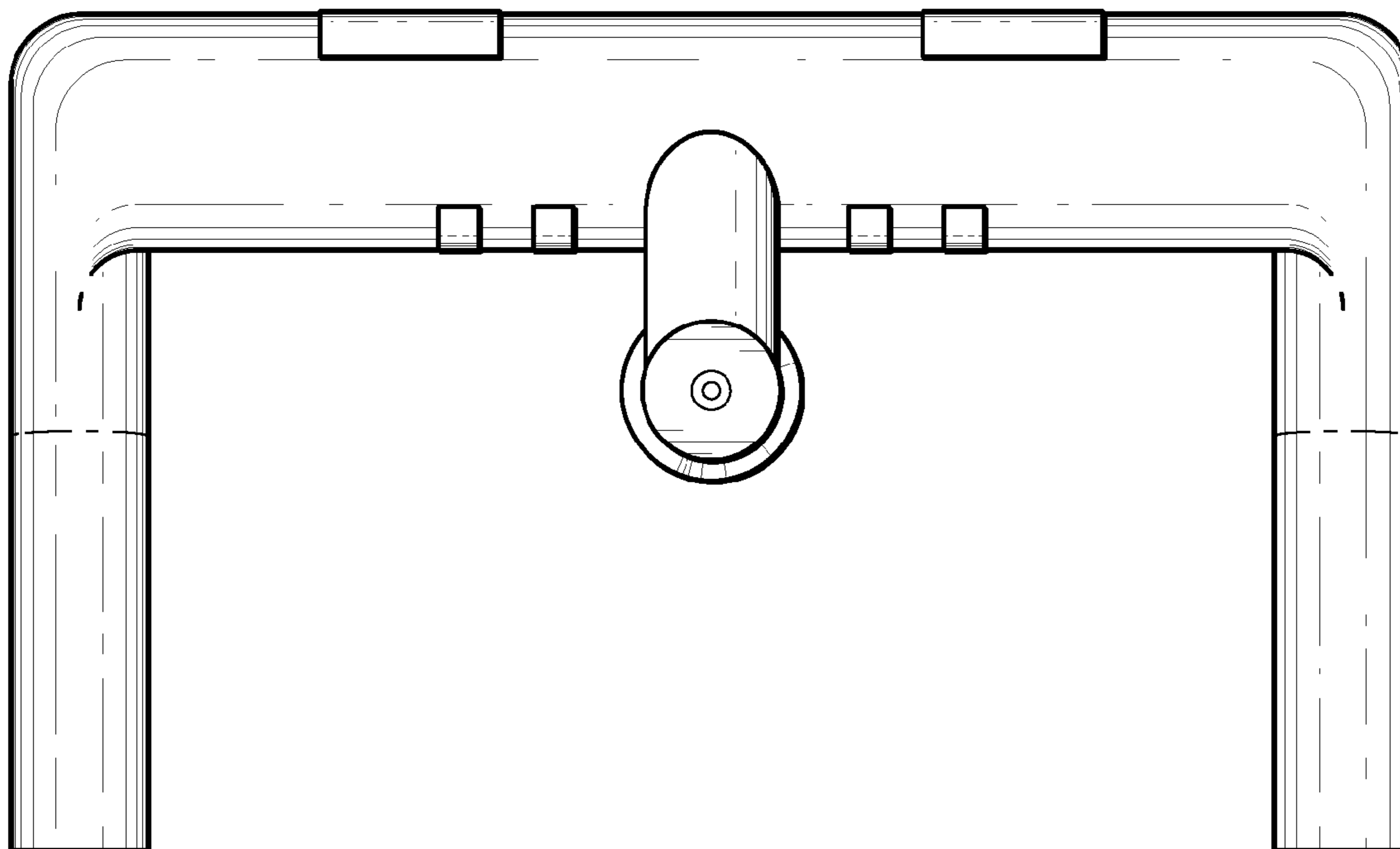


FIG. 3

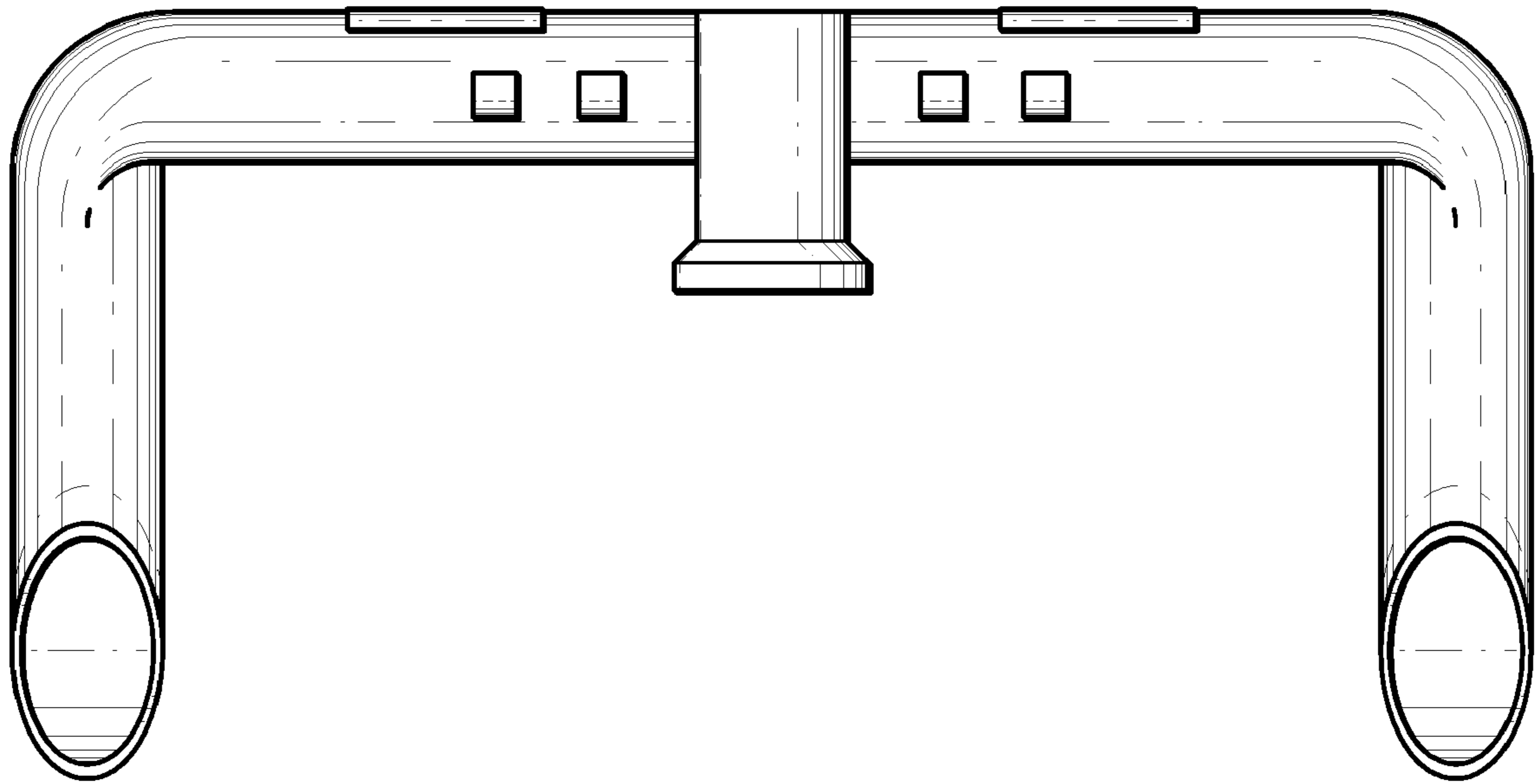


FIG. 4

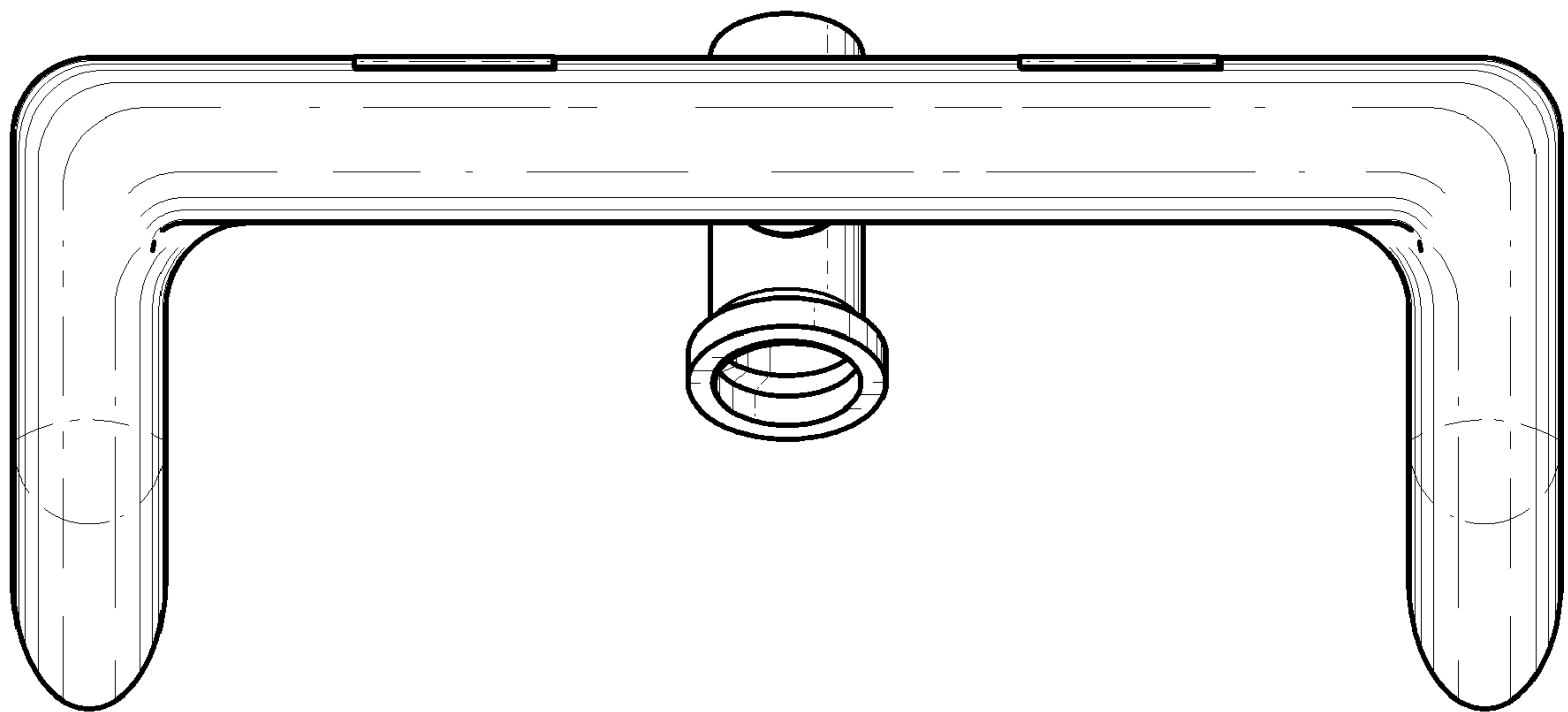


FIG. 5