



US00D609144S

(12) **United States Design Patent**  
**Takayama**

(10) **Patent No.:** **US D609,144 S**  
(45) **Date of Patent:** **\*\* Feb. 2, 2010**

(54) **HOOD FOR AN AUTOMOBILE**

FOREIGN PATENT DOCUMENTS

(75) Inventor: **Seiji Takayama**, Wako (JP)

JP 1311033 D 9/2007  
JP D1371386 S 9/2009

(73) Assignee: **Honda Motor Co., Ltd.**, Tokyo (JP)

\* cited by examiner

(\*\*) Term: **14 Years**

*Primary Examiner*—Melody N Brown

(21) Appl. No.: **29/333,057**

(74) *Attorney, Agent, or Firm*—Westerman, Hattori, Daniels & Adrian, LLP

(22) Filed: **Mar. 2, 2009**

(57) **CLAIM**

(30) **Foreign Application Priority Data**

Aug. 28, 2008 (JP) ..... 2008-022172

The ornamental design for, a hood for an automobile, as shown and described.

(51) **LOC (9) Cl.** ..... **12-16**

**DESCRIPTION**

(52) **U.S. Cl.** ..... **D12/173**

(58) **Field of Classification Search** ..... D12/173,

D12/196, 86, 90–92; 180/69.21, 69.2, 69.22

See application file for complete search history.

FIG. 1 is a perspective view of a hood for an automobile, showing our new design;

FIG. 2 is a front elevation view thereof;

FIG. 3 is a top plan view thereof;

FIG. 4 is a right side elevation view thereof; and,

FIG. 5 is a left side elevation view thereof.

(56) **References Cited**

U.S. PATENT DOCUMENTS

D520,418 S \* 5/2006 Platto et al. .... D12/173

D541,198 S \* 4/2007 Levy ..... D12/173

D570,266 S \* 6/2008 Deane ..... D12/173

D570,267 S \* 6/2008 Nagura ..... D12/173

D583,733 S \* 12/2008 Walter et al. .... D12/173

The broken lines are for illustrative purposes only and form no part of the claimed design.

**1 Claim, 5 Drawing Sheets**

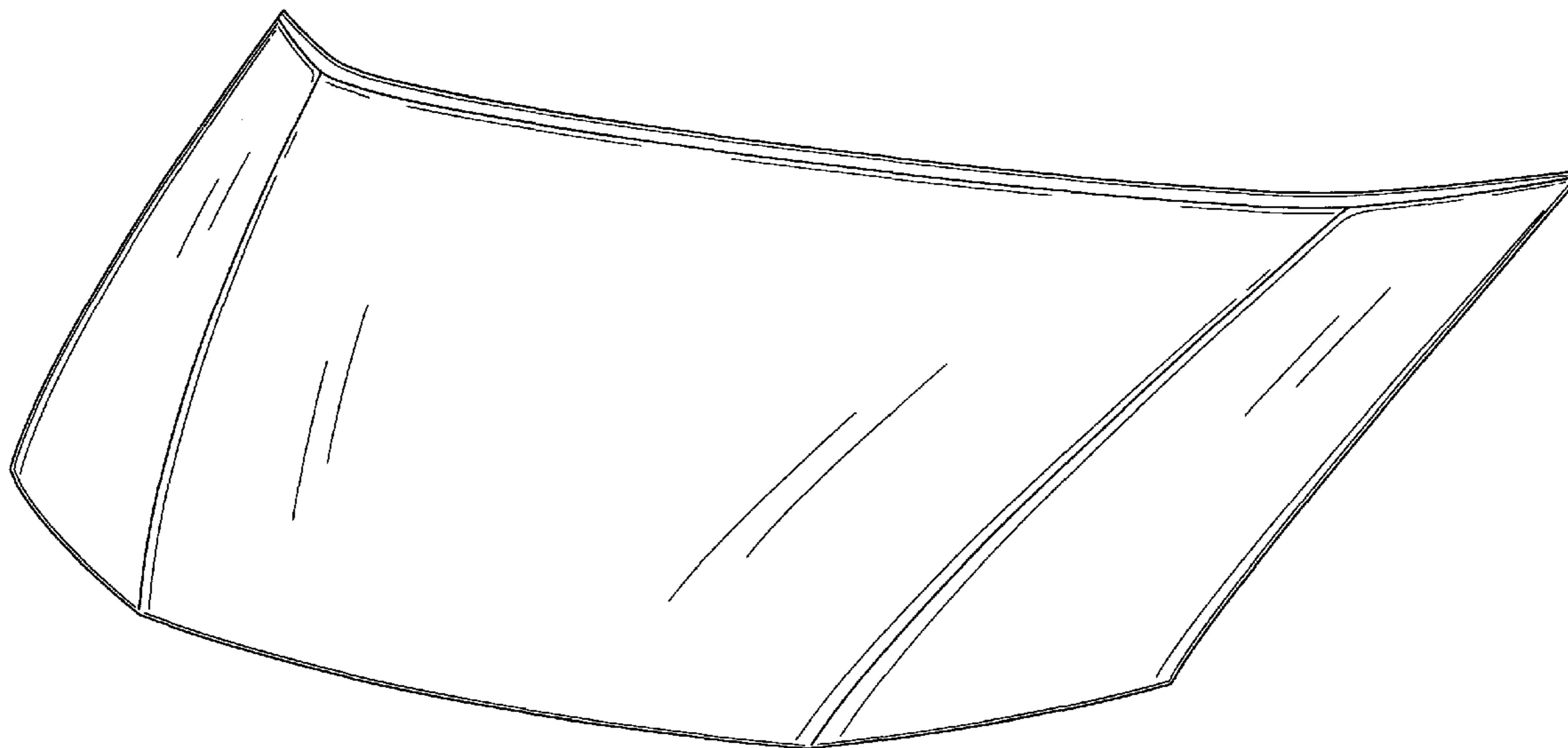


Fig. 1



Fig. 2

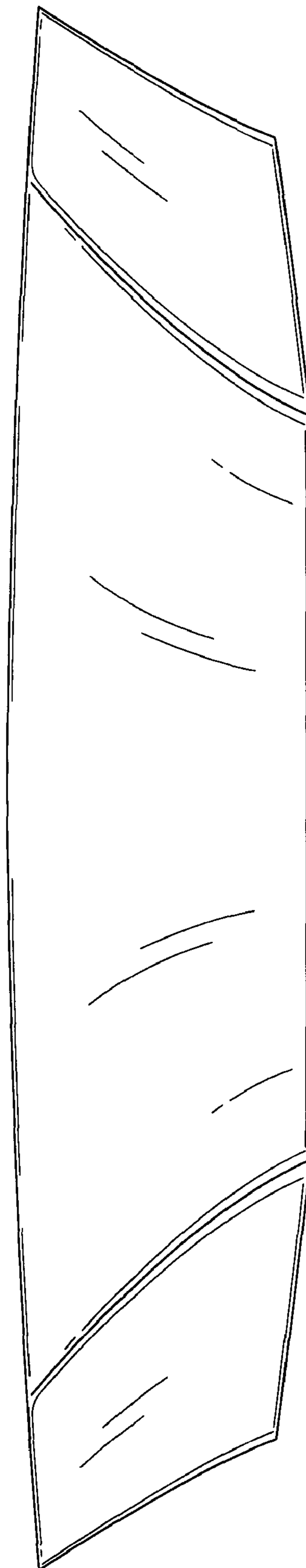


Fig. 3

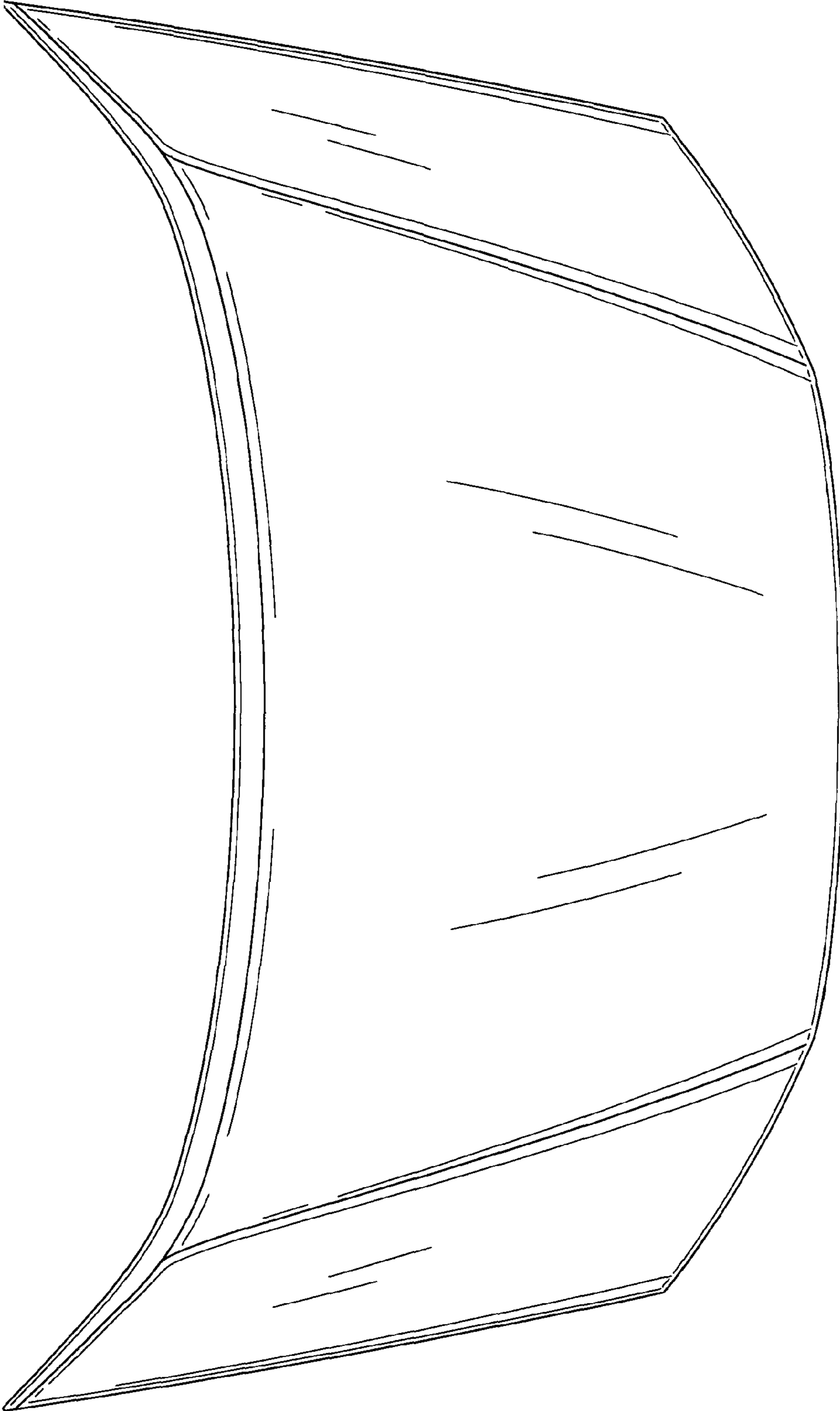


Fig. 4

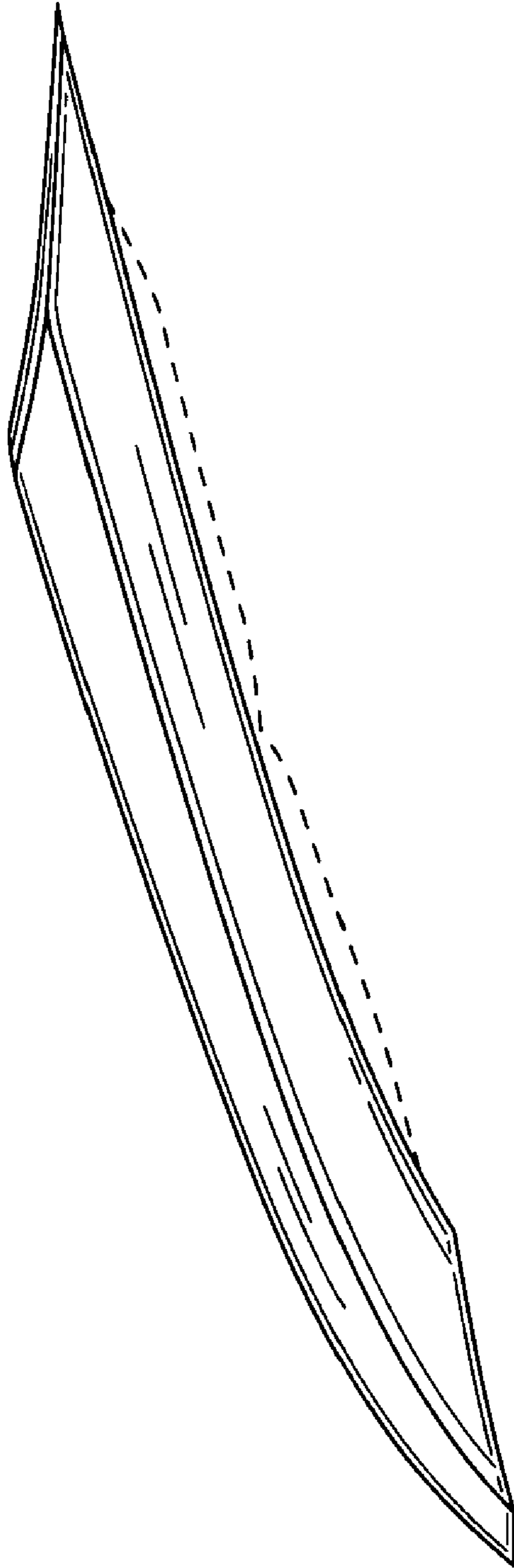


Fig. 5

