



US00D609141S

(12) **United States Design Patent**
Kruger et al.

(10) **Patent No.:** **US D609,141 S**

(45) **Date of Patent:** **** Feb. 2, 2010**

(54) **VEHICLE GRILLE**

(75) Inventors: **Scott Kruger**, Macomb, MI (US);
Mark T. Allen, Oxford, MI (US); **Ralph V. Gilles**, Leonard, MI (US); **Timothy W. Anness**, Rochester Hills, MI (US)

(73) Assignee: **Chrysler Group LLC**, Auburn Hills, MI (US)

(**) Term: **14 Years**

(21) Appl. No.: **29/333,817**

(22) Filed: **Mar. 16, 2009**

Related U.S. Application Data

(63) Continuation-in-part of application No. 29/304,483, filed on Mar. 3, 2008, now Pat. No. Des. 588,501.

(51) **LOC (9) Cl.** **12-16**

(52) **U.S. Cl.** **D12/163**

(58) **Field of Classification Search** D12/163,
D12/196, 171, 169, 216, 90-92, 86; 180/68.1,
180/68.6; 296/193.11

See application file for complete search history.

(56) **References Cited**

U.S. PATENT DOCUMENTS

D430,068 S	8/2000	Castiglione et al.
D455,372 S	4/2002	Myles et al.
D466,451 S	12/2002	Trostle et al.
D503,659 S	4/2005	Matsumoto et al.
D508,440 S	8/2005	Hall et al.
D516,957 S	3/2006	O'Connell et al.
D536,644 S	2/2007	Shimoguchi et al.
D537,385 S	2/2007	Shimoguchi et al.

D540,721 S *	4/2007	Wagner et al.	D12/163
D543,489 S	5/2007	Gunby		
D551,127 S	9/2007	Kruger et al.		
D564,946 S	3/2008	Kruger et al.		
D567,154 S *	4/2008	Cunningham	D12/163
D580,312 S *	11/2008	Opfer et al.	D12/163
D583,283 S *	12/2008	Cunningham	D12/163
D584,197 S *	1/2009	Song et al.	D12/163
D584,501 S	3/2009	Kruger et al.		
D596,532 S *	7/2009	Opfer et al.	D12/98
D597,897 S *	8/2009	Wagner et al.	D12/163

* cited by examiner

Primary Examiner—Melody N Brown

(74) *Attorney, Agent, or Firm*—Ralph E. Smith

(57) **CLAIM**

The ornamental design for a vehicle grille, as shown and described.

DESCRIPTION

FIG. 1 is a front perspective view of a vehicle grille showing our new design;

FIG. 2 is a front view thereof;

FIG. 3 is a left side view thereof;

FIG. 4 is a right side view thereof.

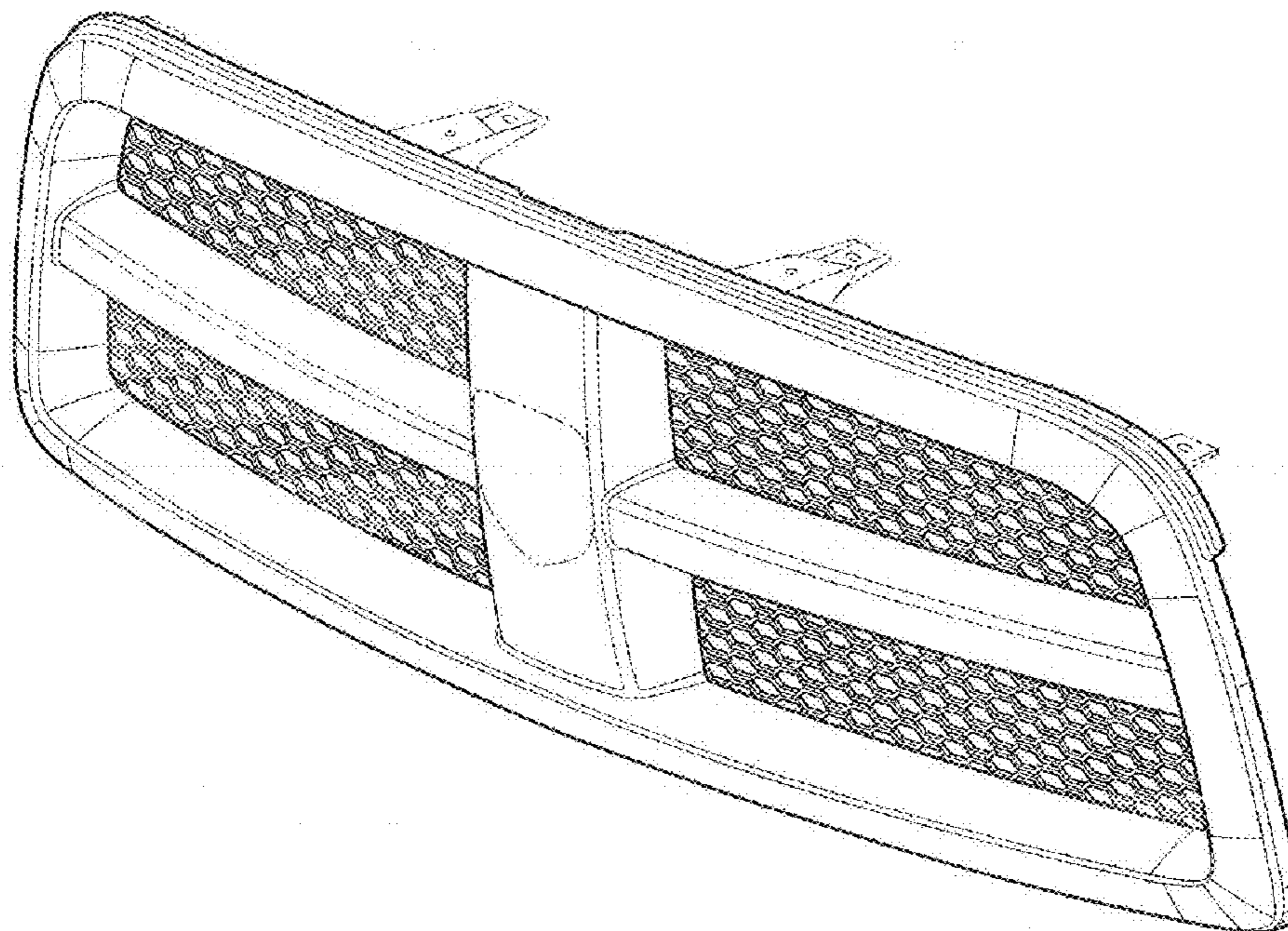
FIG. 5 is a rear view thereof;

FIG. 6 is a top view thereof; and,

FIG. 7 is a bottom view thereof.

It will be understood that the broken lines presented in the drawings are for illustration only, and do not form a part of the claimed design.

1 Claim, 4 Drawing Sheets



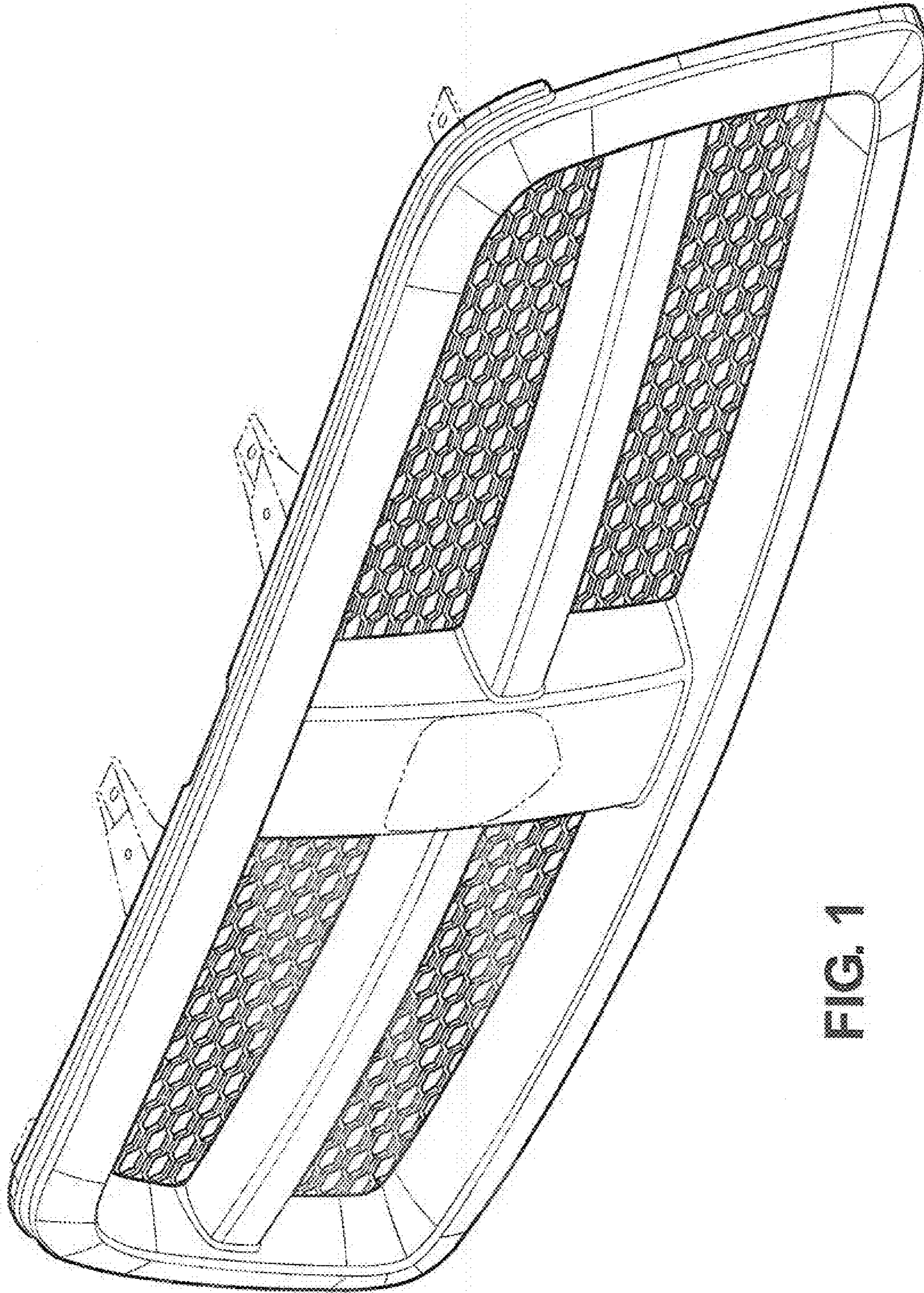


FIG. 1

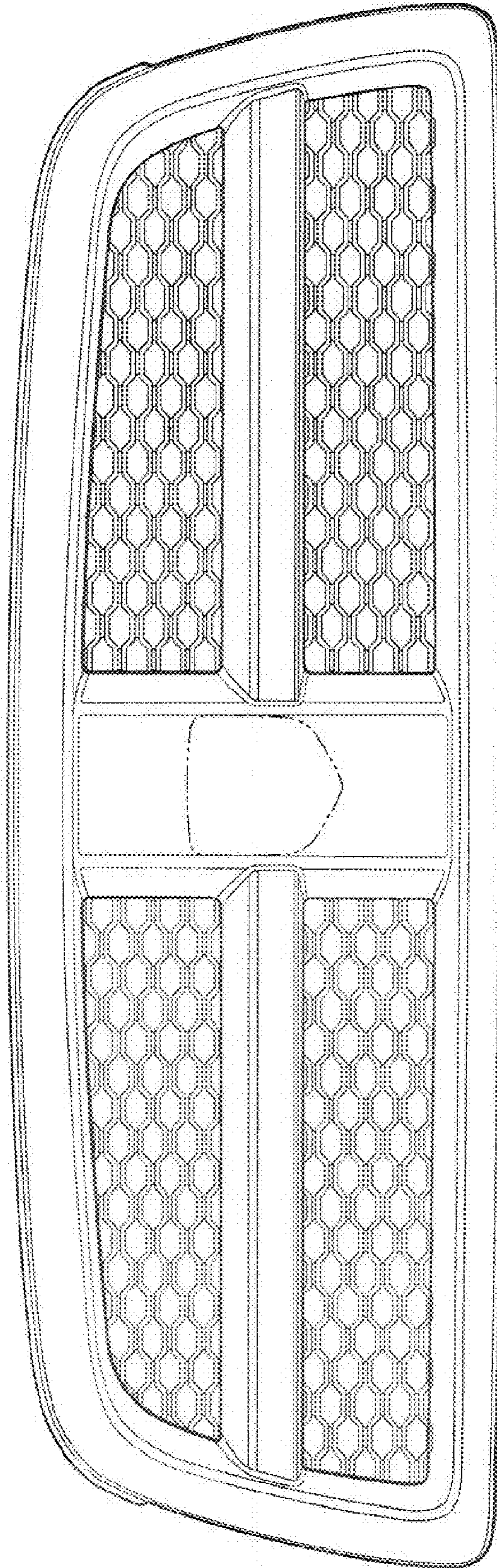


FIG. 2

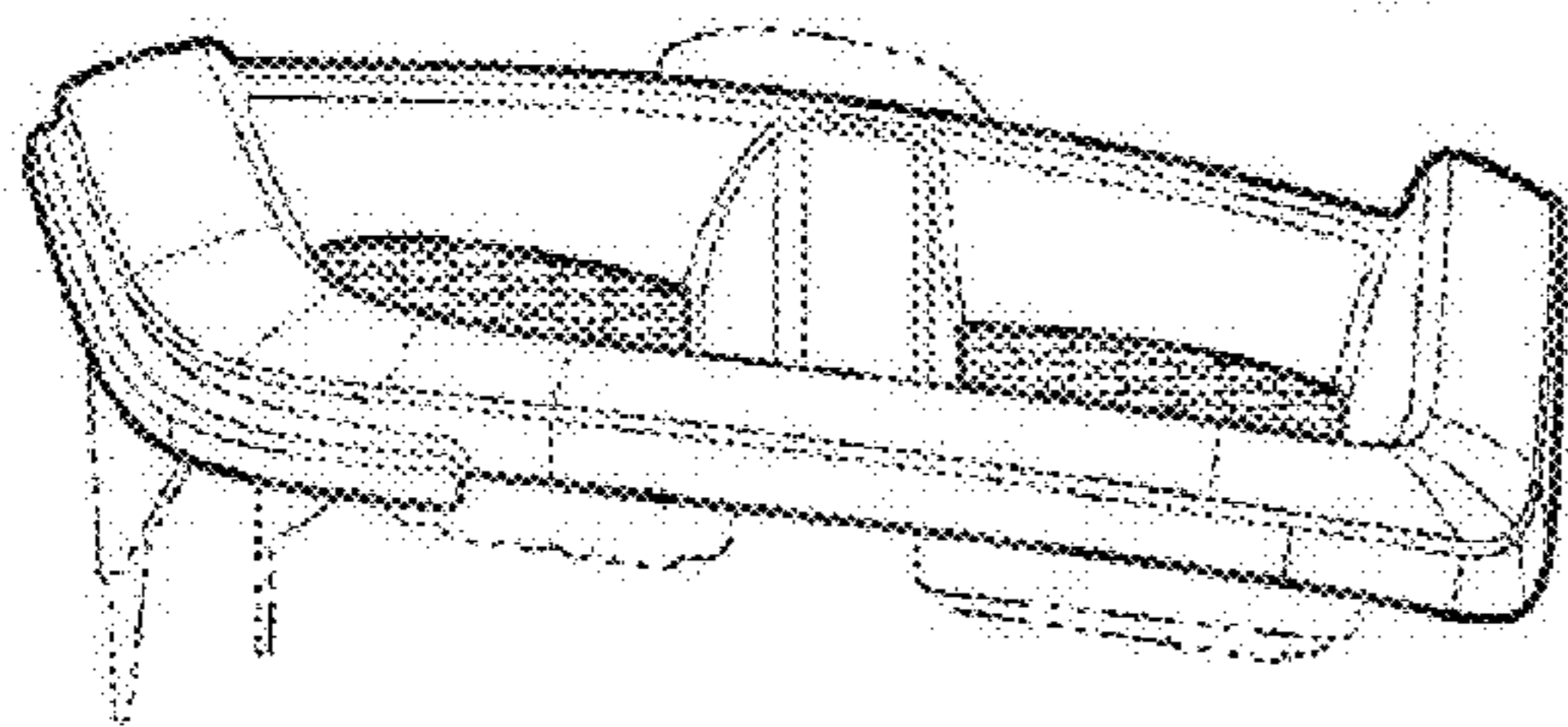


FIG. 3

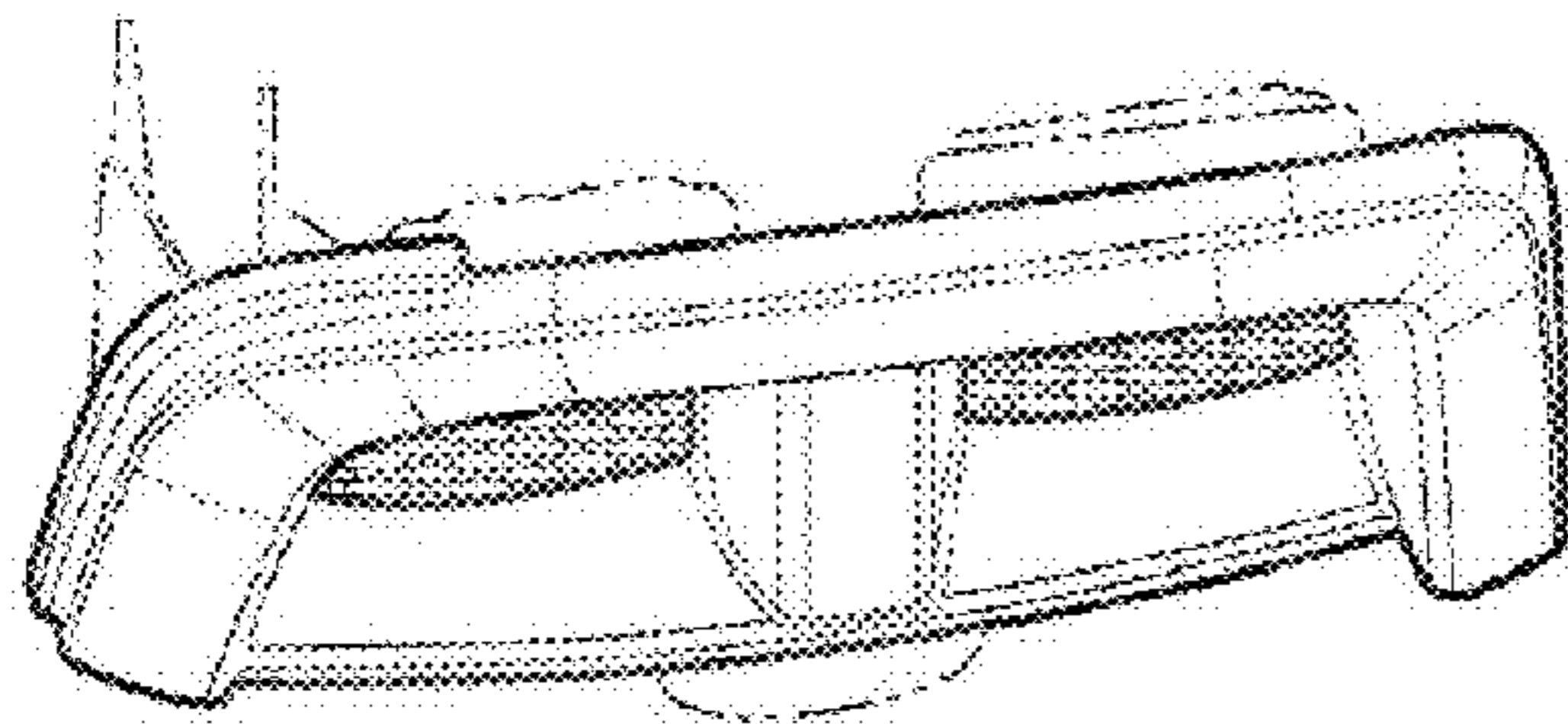


FIG. 4

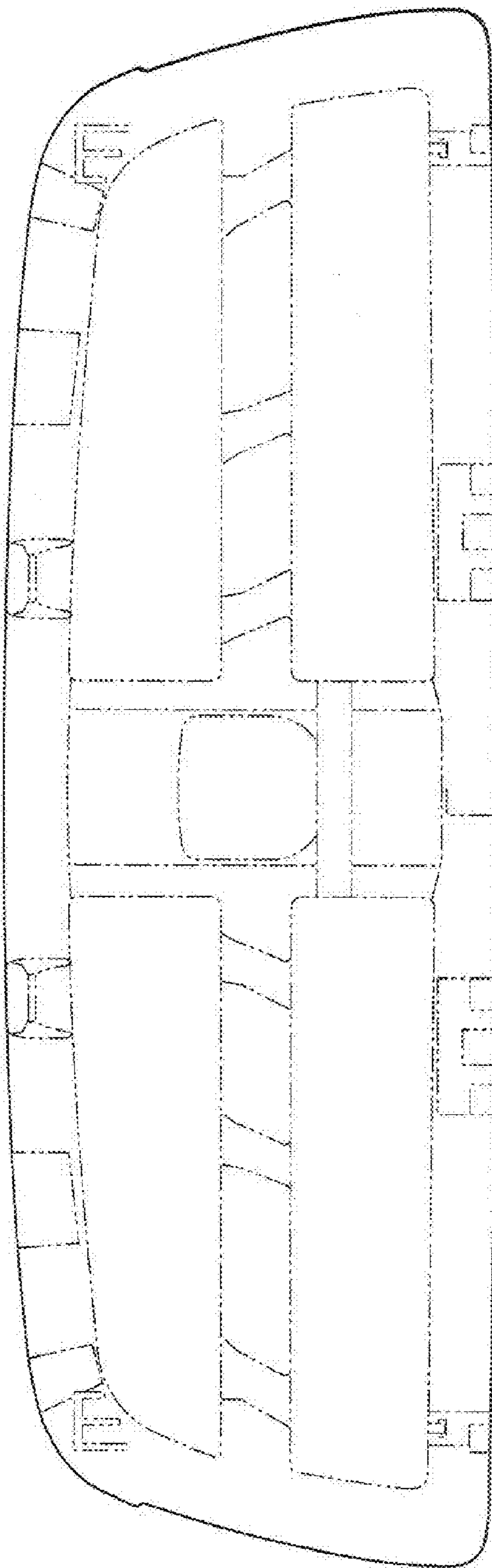


FIG. 5

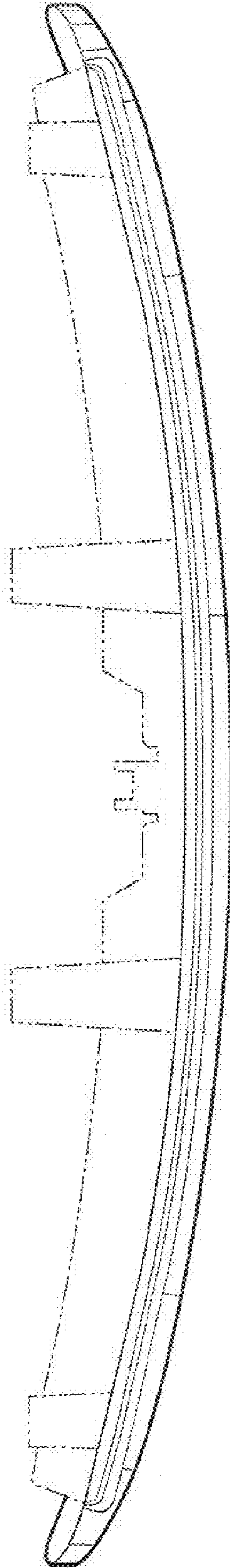


FIG. 6

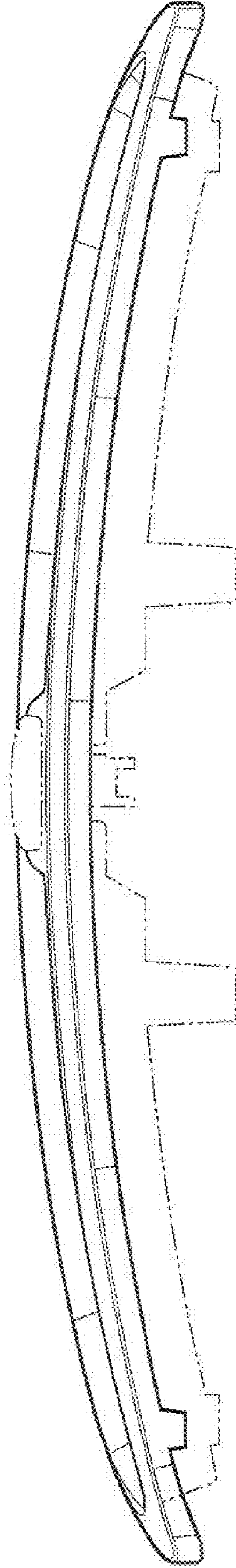


FIG. 7