



US00D609137S

(12) **United States Design Patent**
Graham

(10) **Patent No.:** **US D609,137 S**
(45) **Date of Patent:** **** Feb. 2, 2010**

(54) **PAIR OF BICYCLE HANDLEBAR MITTENS**

DESCRIPTION

(76) Inventor: **Ward H. Graham**, 3305 Ormsby La.,
Carson City, NV (US) 89704

(**) Term: **14 Years**

(21) Appl. No.: **29/311,773**

(22) Filed: **Jun. 16, 2009**

Related U.S. Application Data

(62) Division of application No. 29/300,950, filed on Jun. 4,
2008, now Pat. No. Des. 597,895.

(51) **LOC (9) Cl.** **12-11**

(52) **U.S. Cl.** **D12/114**

(58) **Field of Classification Search** D12/110,
D12/111, 114, 126, 178; 74/551.8, 551.9;
280/288.4, 304.3; 296/78.1; 2/217; D2/610-623
See application file for complete search history.

(56) **References Cited**

U.S. PATENT DOCUMENTS

571,020 A 11/1896 Royce

(Continued)

FOREIGN PATENT DOCUMENTS

FR 2540709 8/1984

(Continued)

Primary Examiner—Cathron C Brooks

Assistant Examiner—Linda G. Brooks

(74) *Attorney, Agent, or Firm*—Roylance, Abrams, Berdo &
Goodman, L.L.P.

(57) **CLAIM**

The ornamental design for a pair of bicycle handlebar mit-
tens, as shown and described.

FIG. 1 is an elevational view of the right side of a left bicycle
handlebar mitten of the pair of bicycle handlebar mittens
according to the invention;

FIG. 2 is an elevational view of the left side of the left bicycle
handlebar mitten of the pair of bicycle handlebar mittens
illustrated in FIG. 1;

FIG. 3 is a top plan view of the left bicycle handlebar mitten
of the pair of bicycle handlebar mittens illustrated in FIGS. 1
and 2;

FIG. 4 is a bottom plan view of the left bicycle handlebar
mitten of the pair of bicycle handlebar mittens illustrated in
FIGS. 1-3;

FIG. 5 is a rear elevational view of the left bicycle handlebar
mitten of the pair of bicycle handlebar mittens illustrated in
FIGS. 1-4;

FIG. 6 is a front elevational view of the left bicycle handlebar
mitten of the pair of bicycle handlebar mittens illustrated in
FIGS. 1-5;

FIG. 7 is an elevational view of the left side of a right bicycle
handlebar mitten of the pair of bicycle handlebar mittens;

FIG. 8 is an elevational view of the right side of the right
bicycle handlebar mitten of the pair of bicycle handlebar
mittens illustrated in FIG. 7;

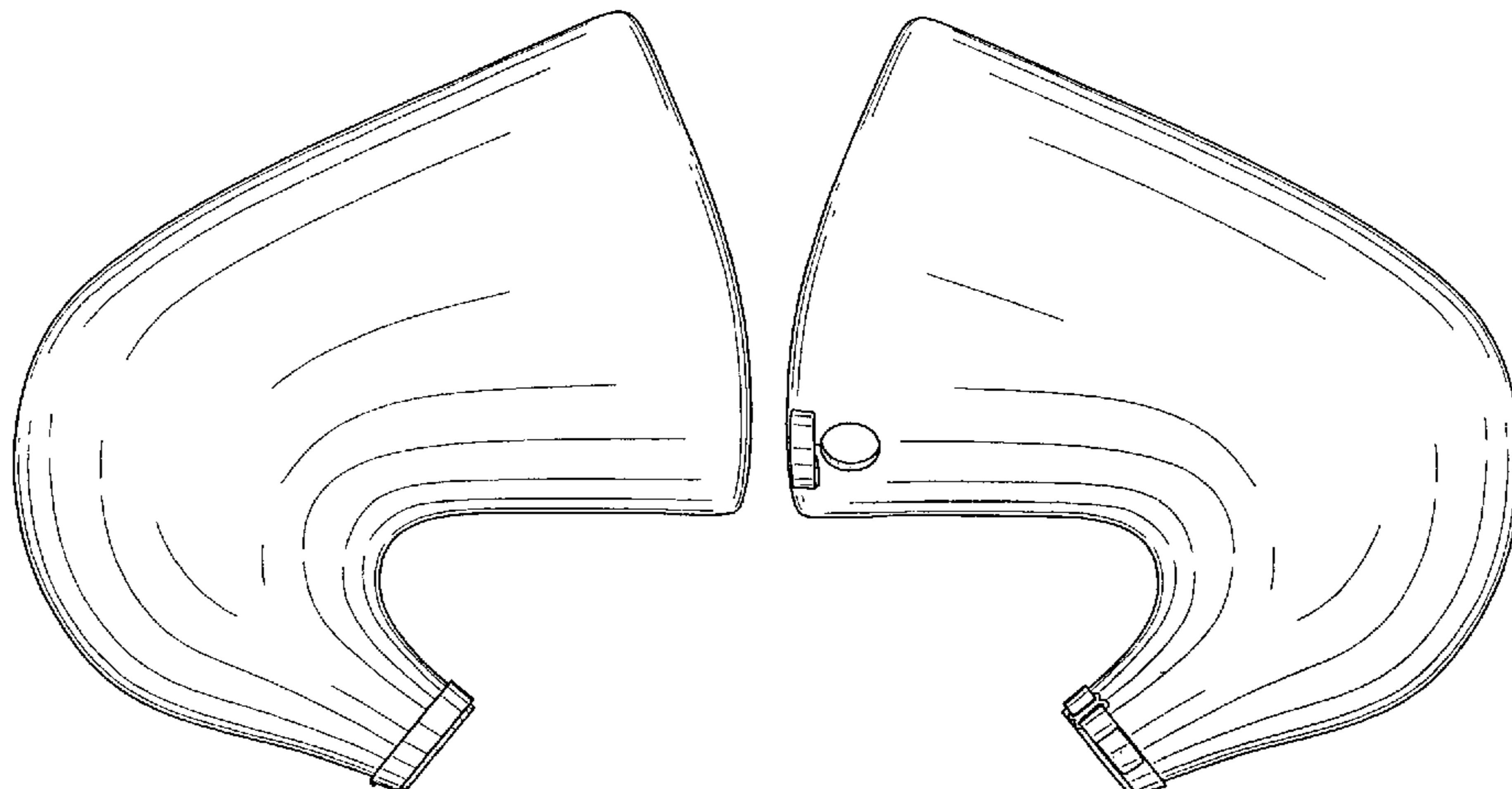
FIG. 9 is a top plan view of the right bicycle handlebar mitten
of the pair of bicycle handlebar mittens illustrated in FIGS. 7
and 8;

FIG. 10 is a bottom plan view of the right bicycle handlebar
mitten of the pair of bicycle handlebar mittens illustrated in
FIGS. 7-9;

FIG. 11 is a rear elevational view of the right bicycle handle-
bar mitten of the pair of bicycle handlebar mittens illustrated
in FIGS. 7-10; and,

FIG. 12 is a front elevational view of the right bicycle handle-
bar mitten of the pair of bicycle handlebar mittens illustrated
in FIGS. 7-11.

1 Claim, 6 Drawing Sheets



US D609,137 S

Page 2

U.S. PATENT DOCUMENTS

1,214,032 A 1/1917 Heineck
2,344,545 A 3/1944 Harder
2,650,361 A 9/1953 Grothe et al.
3,665,515 A 5/1972 Sjostrom, Sr.
5,343,563 A 9/1994 Goucher et al.

D388,026 S 12/1997 DeFur
5,740,700 A 4/1998 Redmond
D579,384 S 10/2008 Graham

FOREIGN PATENT DOCUMENTS

FR 2604868 4/1988

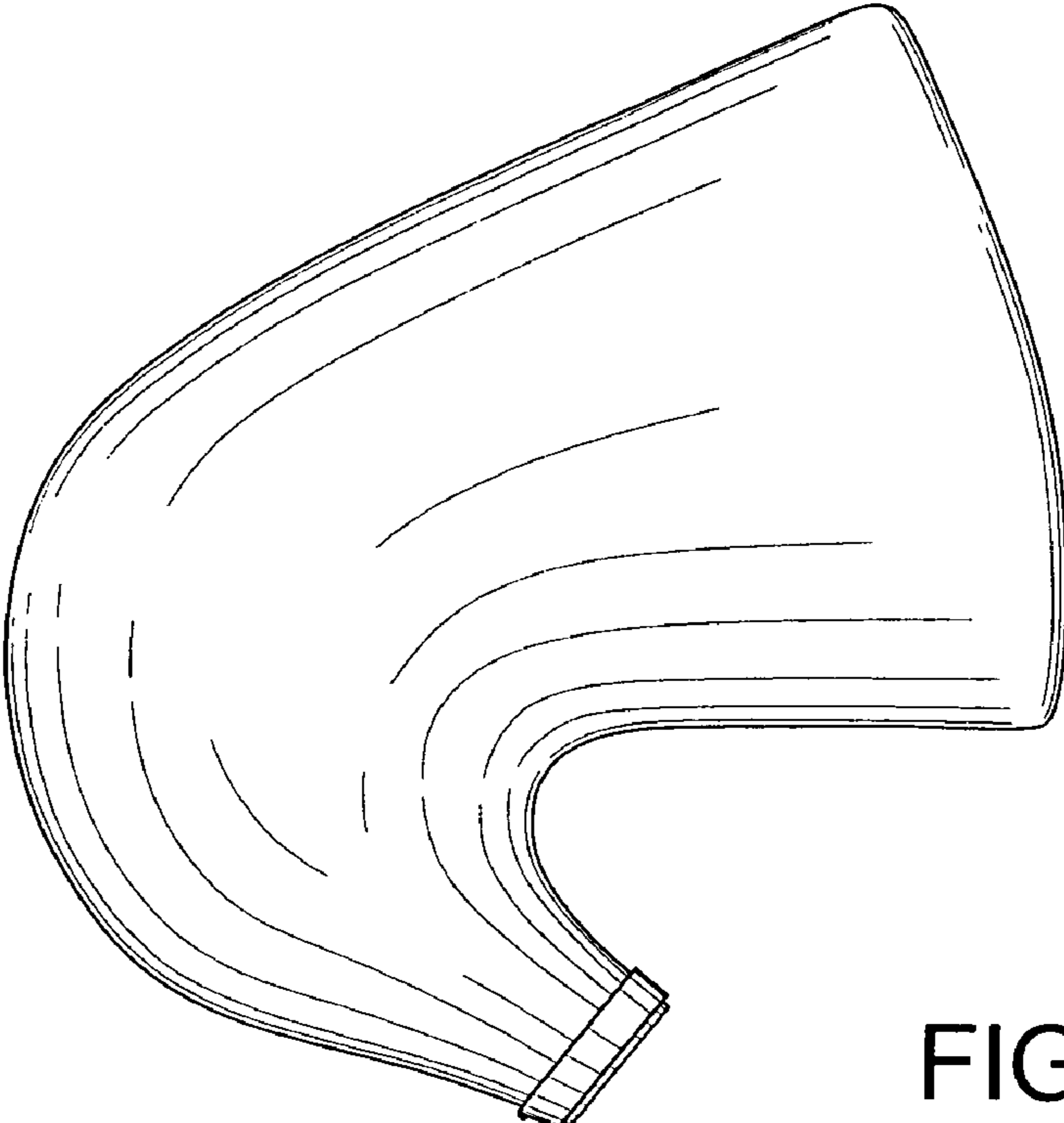


FIG. 1

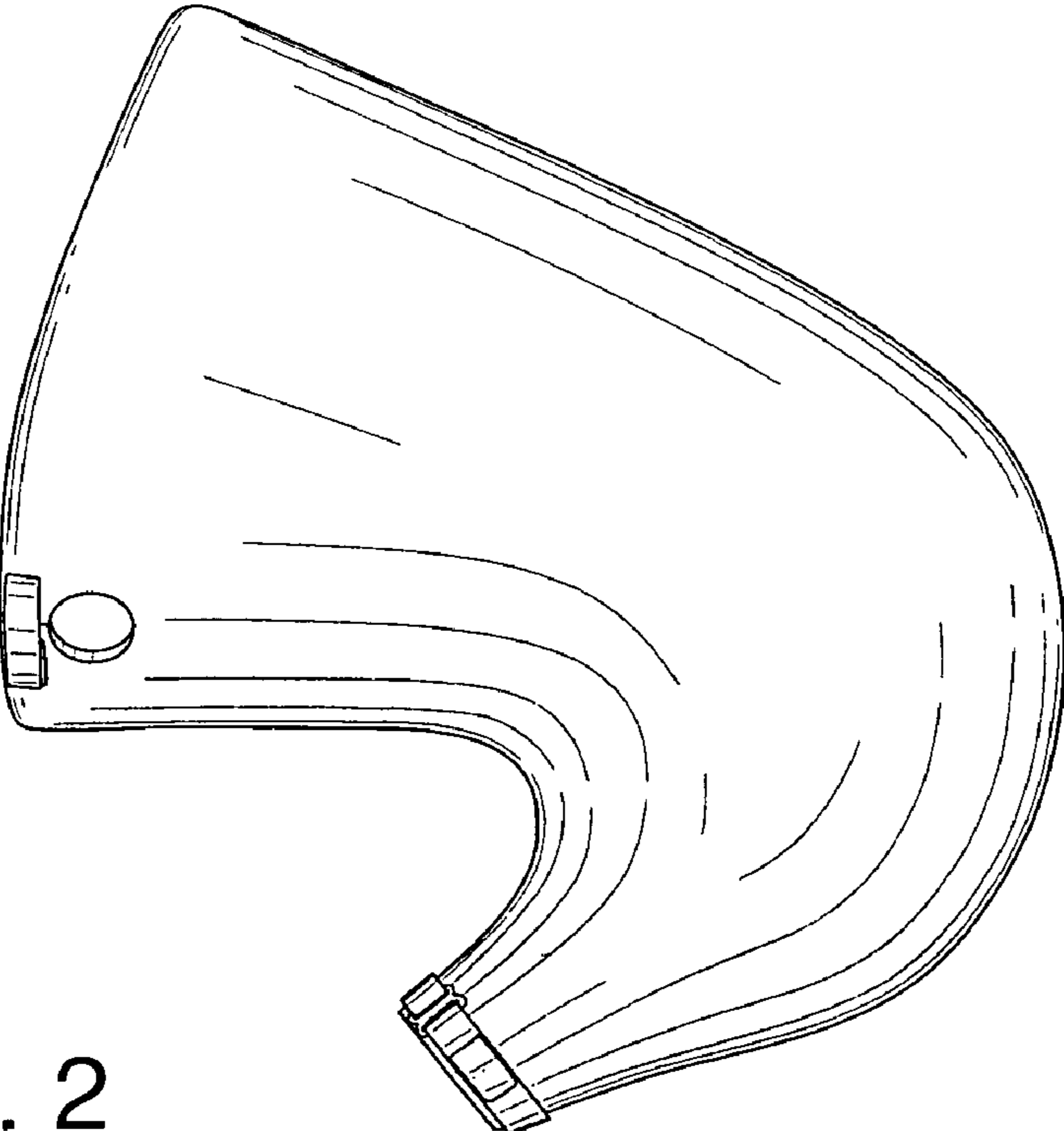


FIG. 2

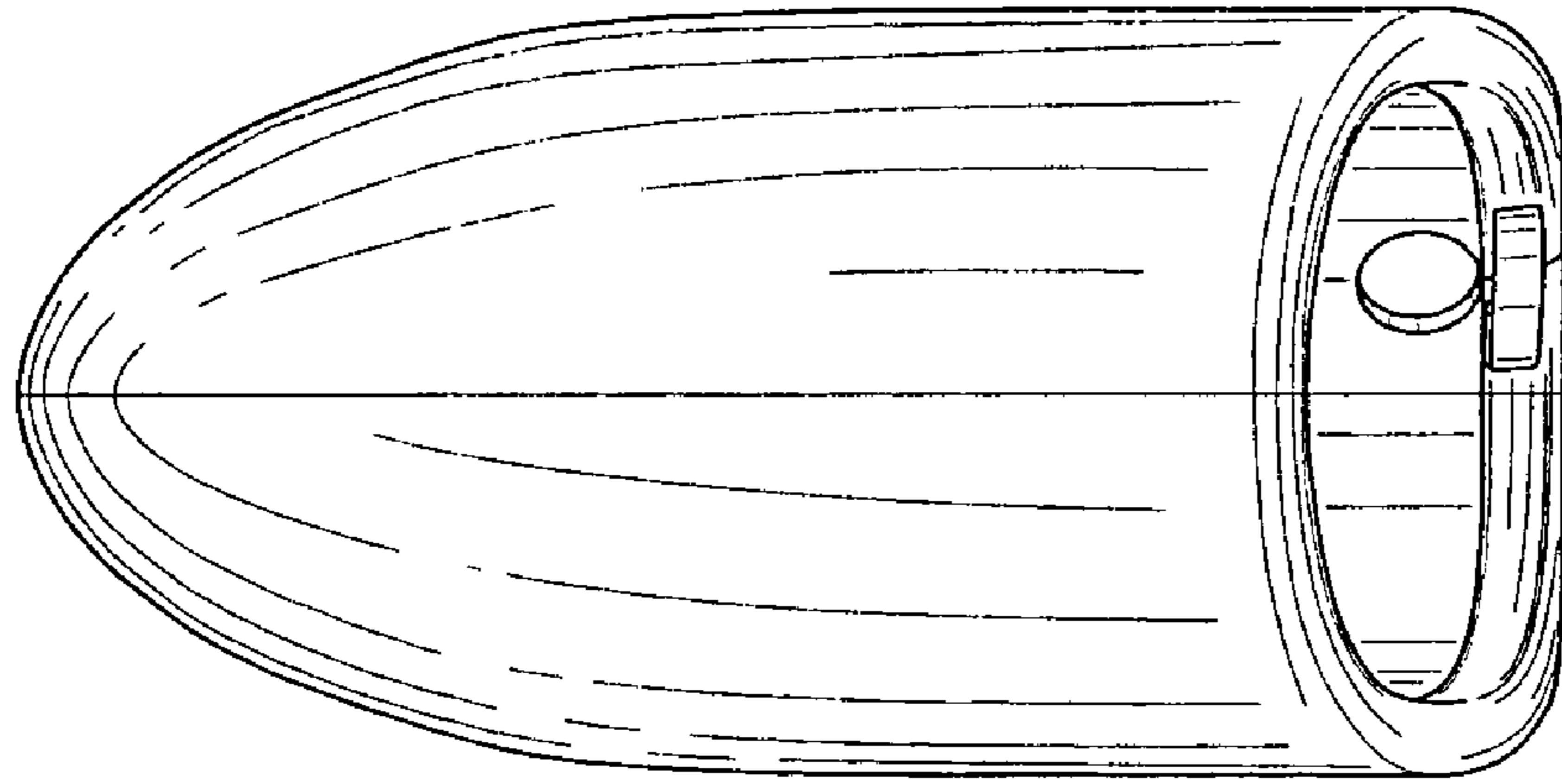


FIG. 3

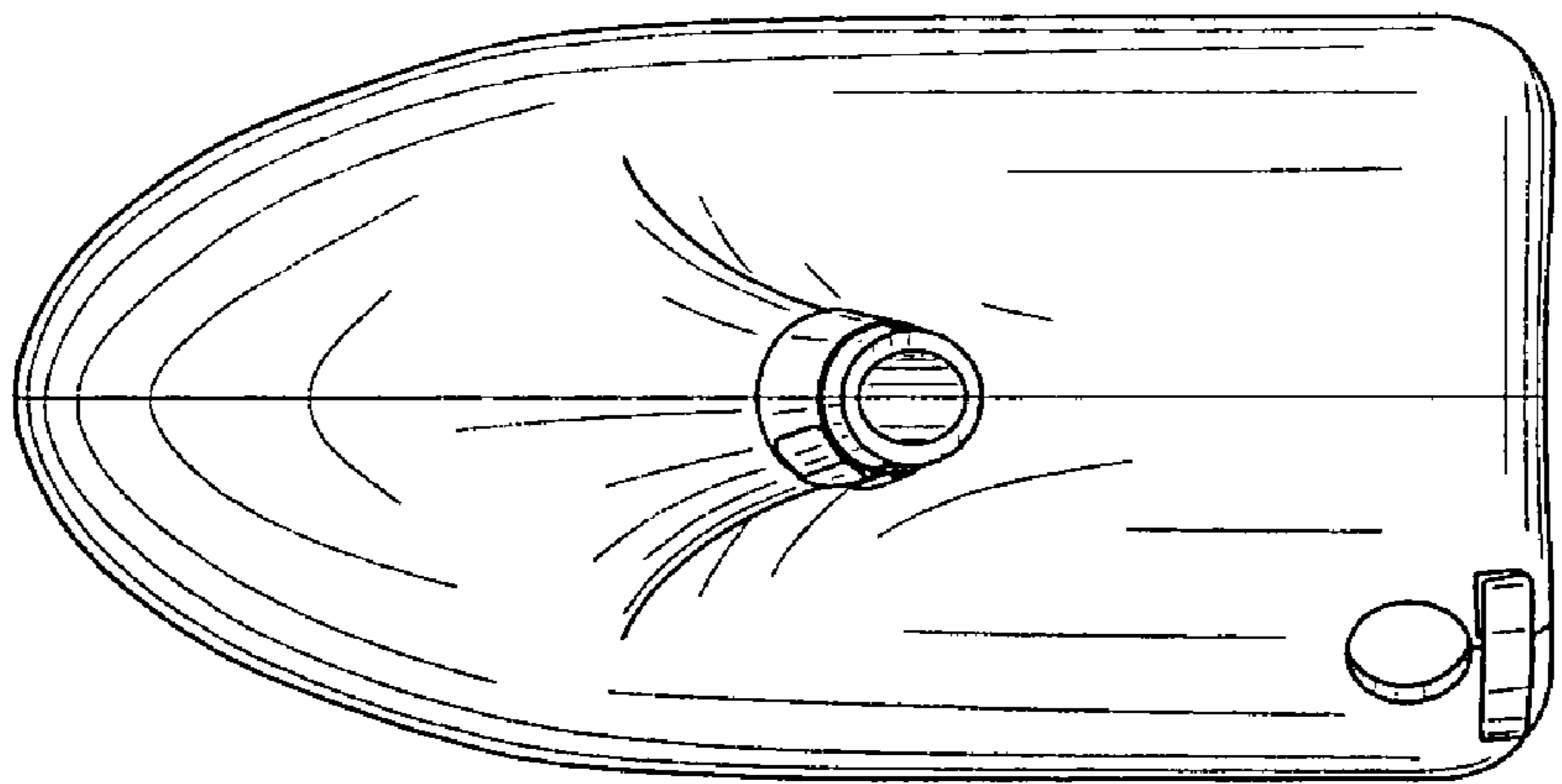


FIG. 4

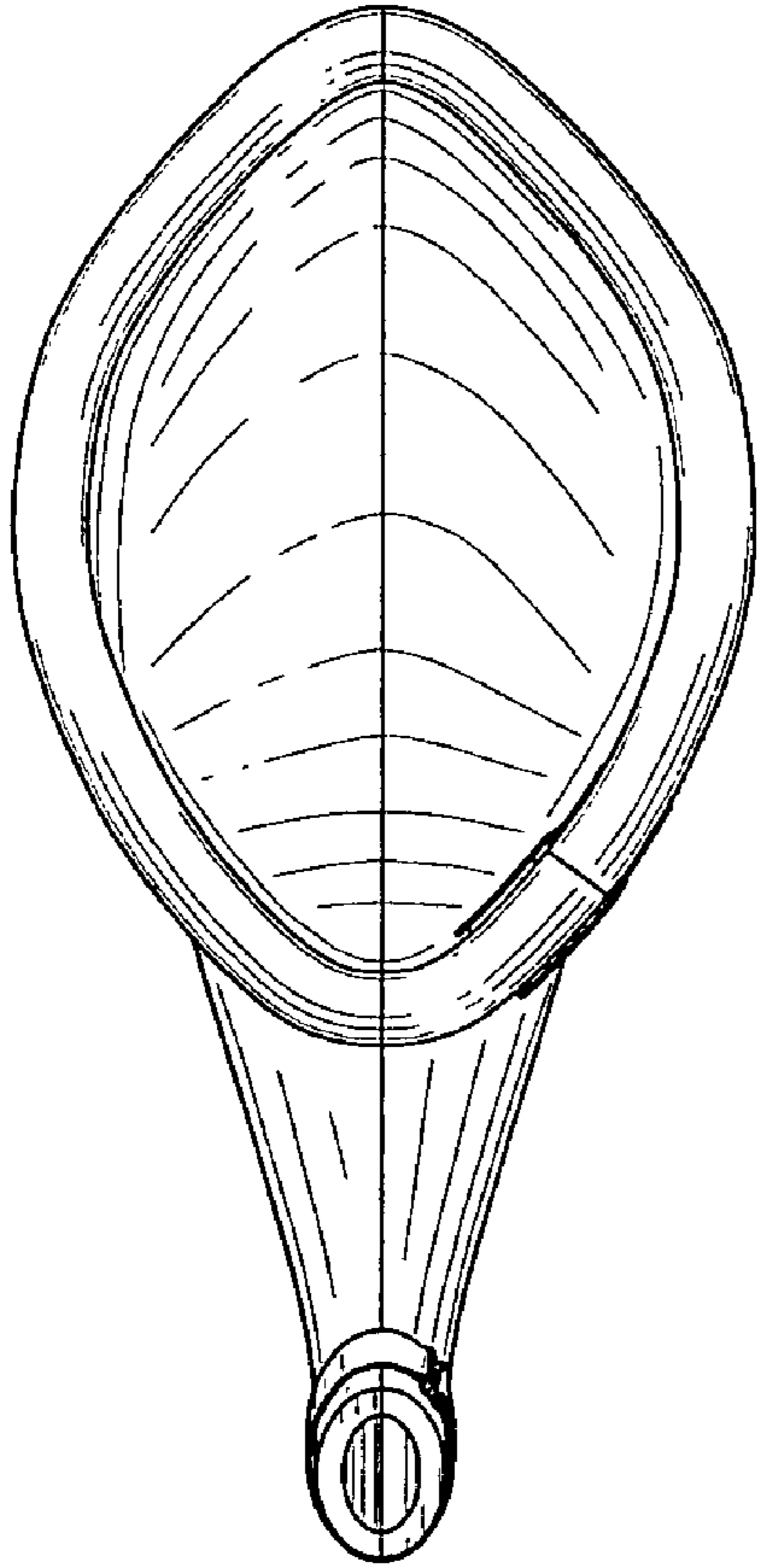


FIG. 5

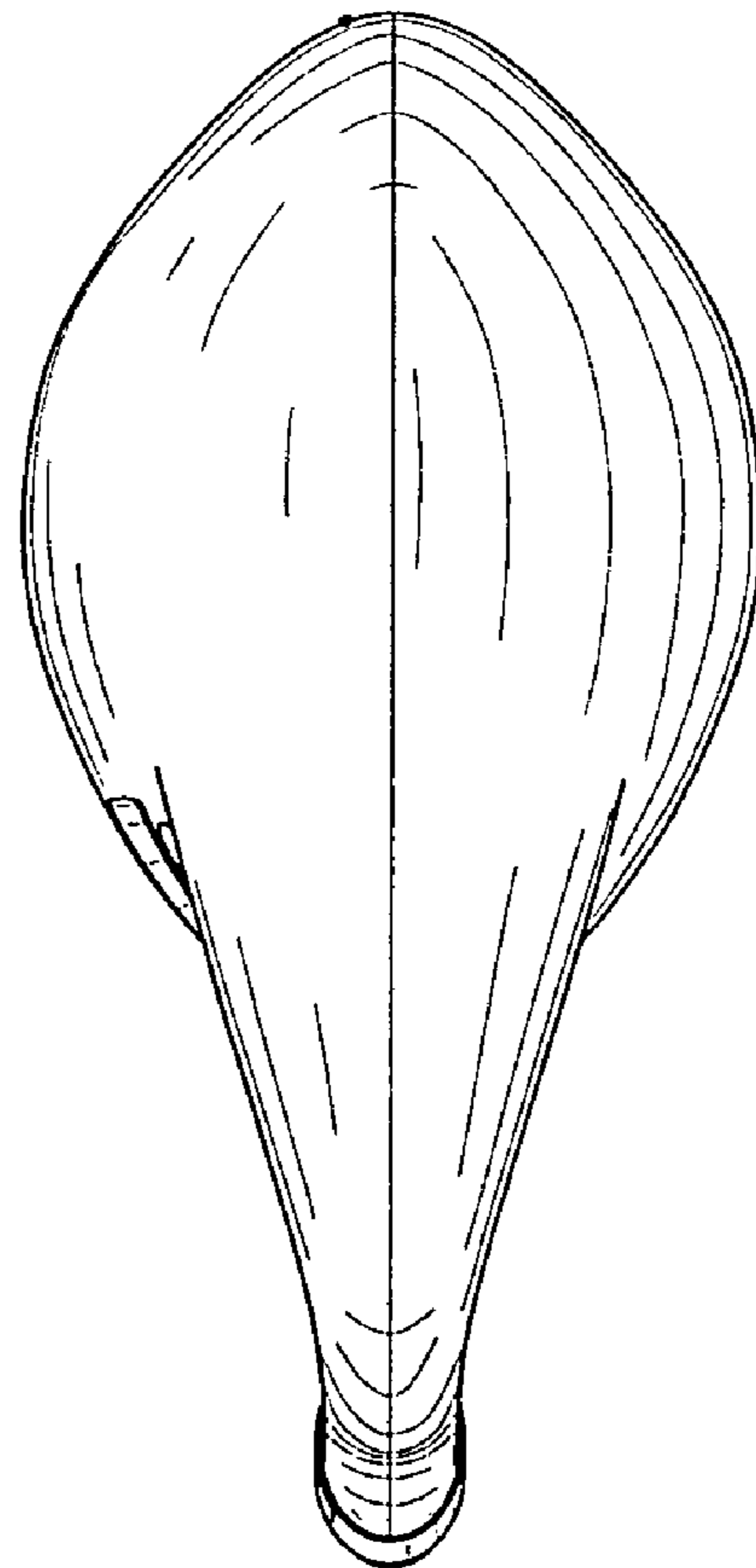


FIG. 6

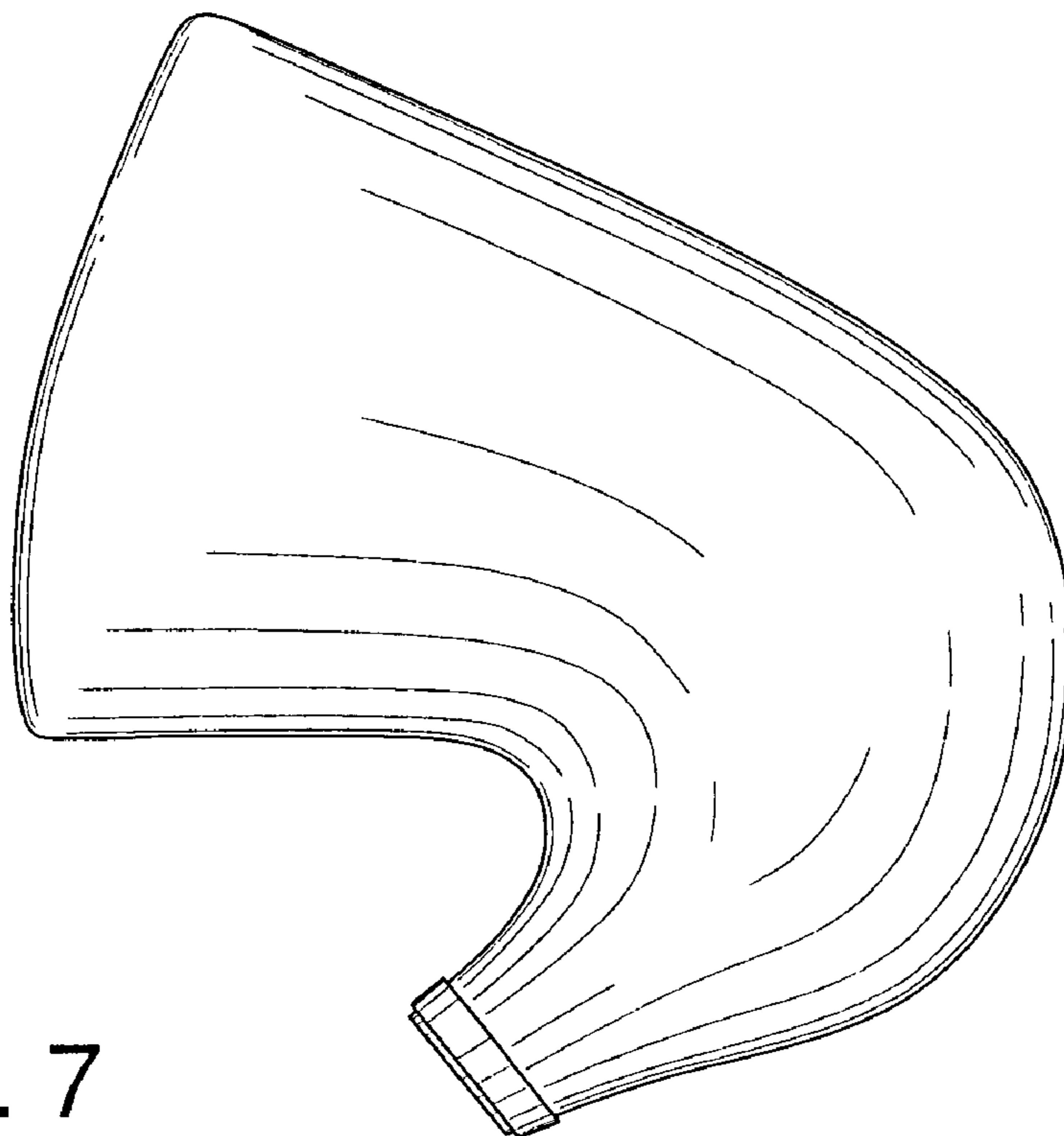


FIG. 7

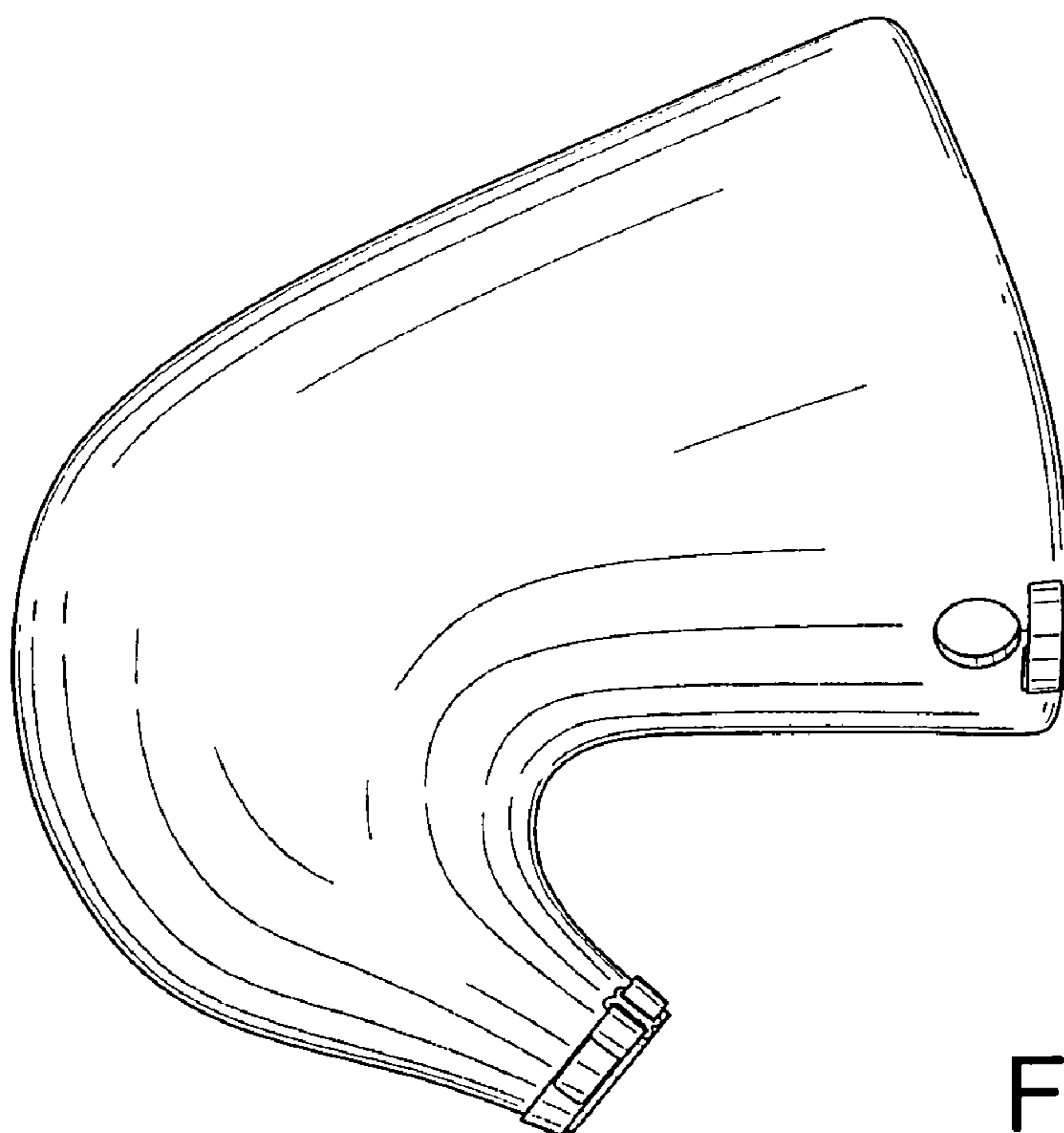


FIG. 8

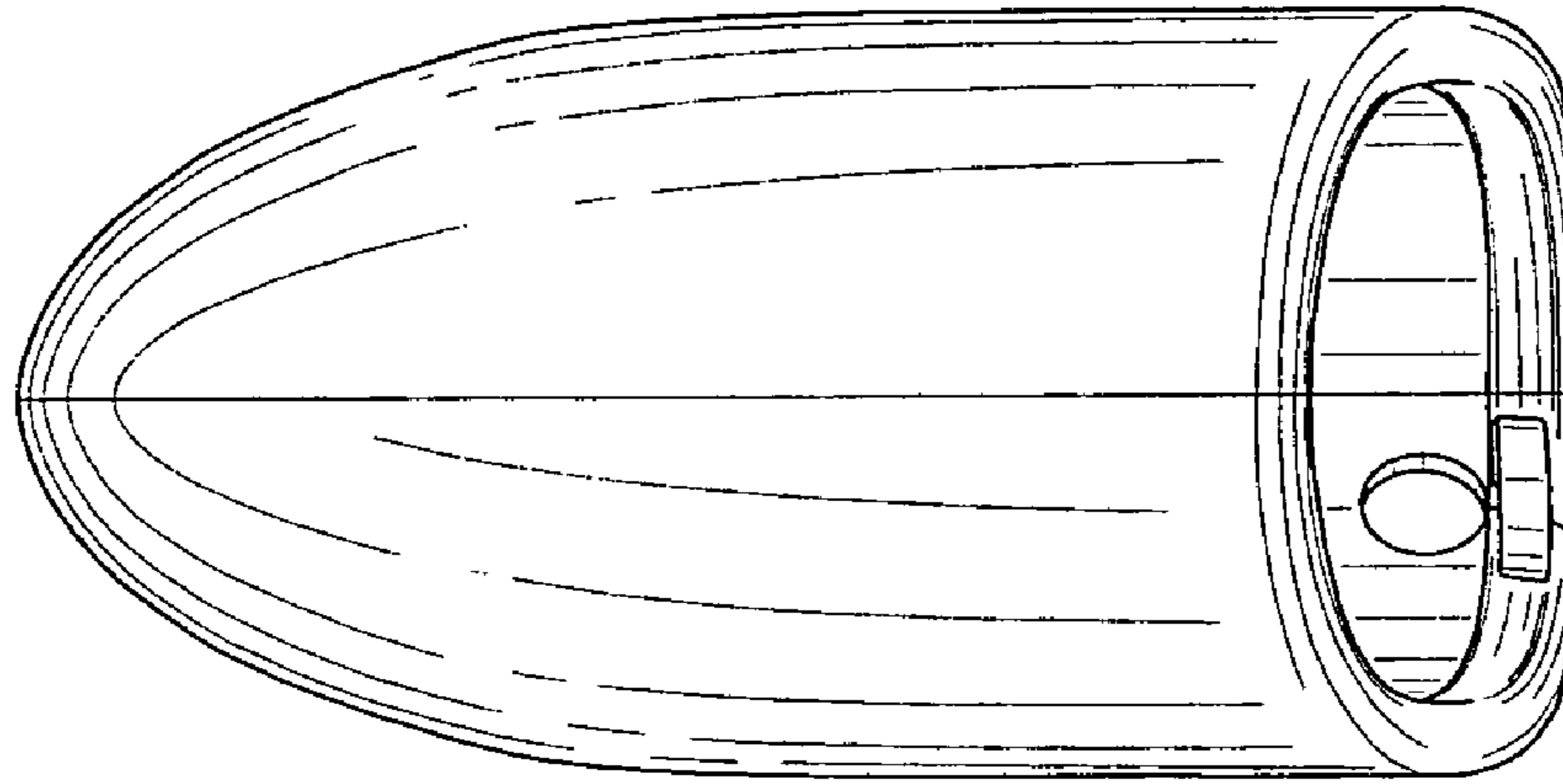


FIG. 9

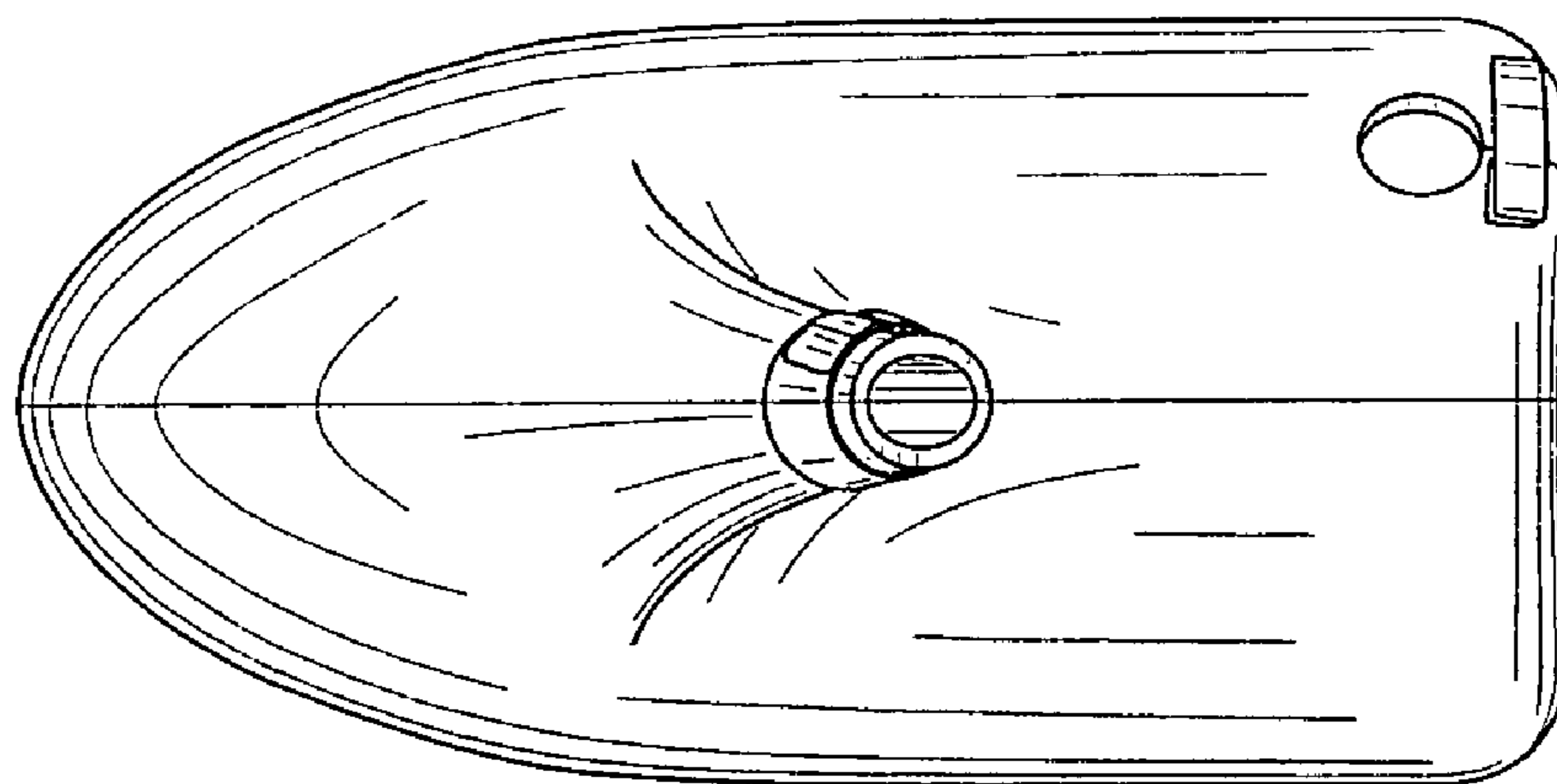


FIG. 10

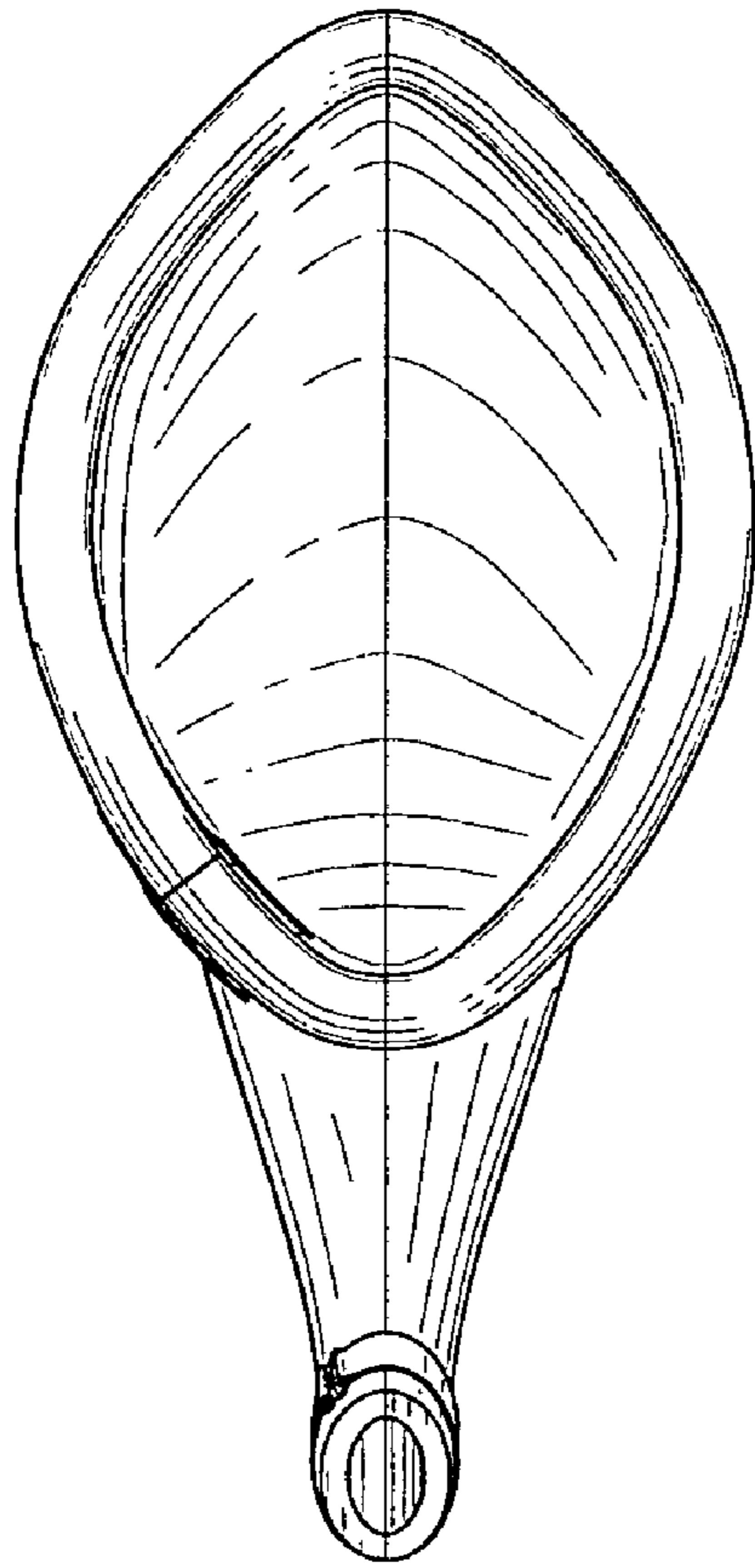


FIG. 11

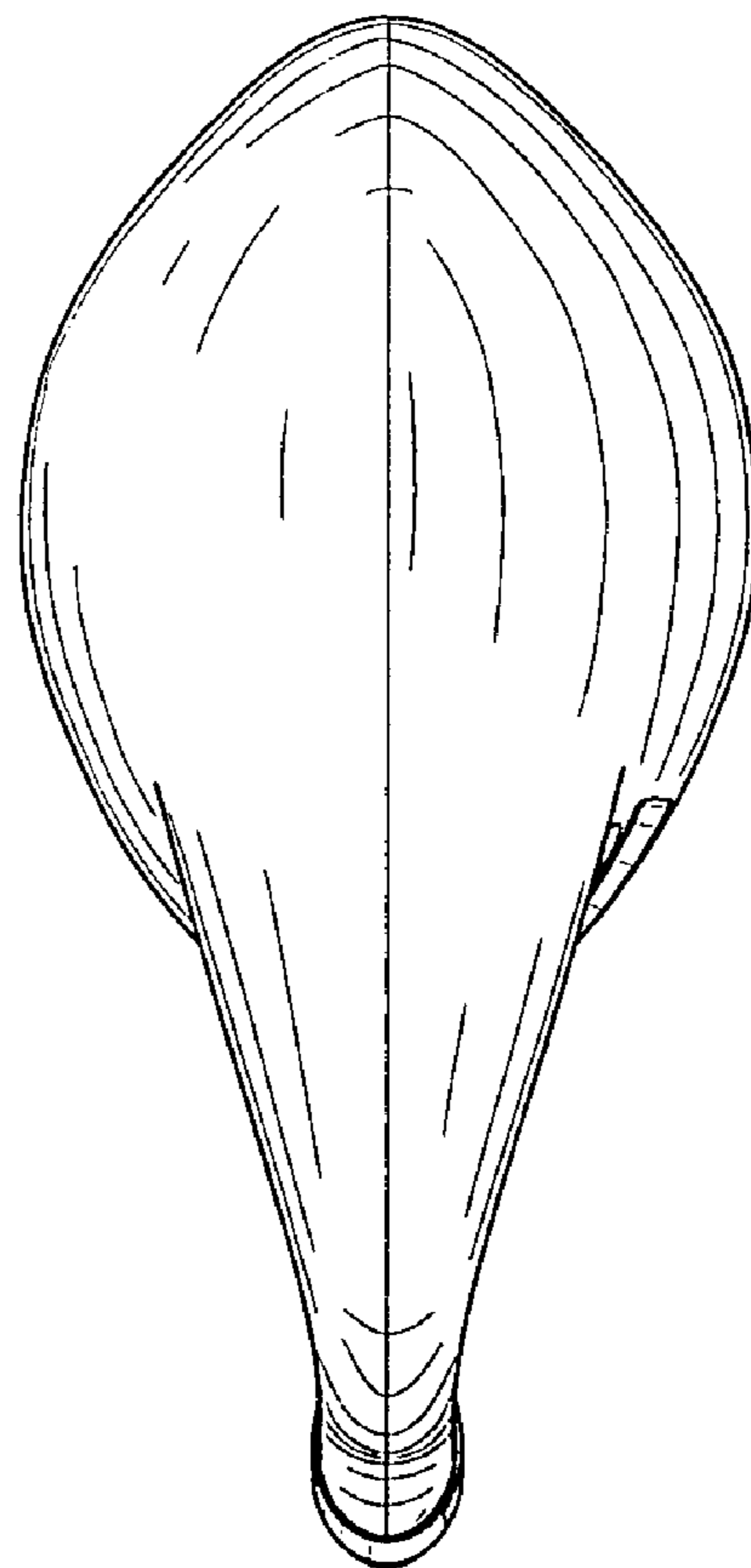


FIG. 12