



US00D609136S

(12) **United States Design Patent**  
**Renchuan**

(10) **Patent No.:** **US D609,136 S**

(45) **Date of Patent:** **\*\* Feb. 2, 2010**

(54) **ALL TERRAIN VEHICLE**

D542,186 S \* 5/2007 Lai et al. .... D12/107

(75) Inventor: **Feng Renchuan**, Chongqing (CN)

\* cited by examiner

(73) Assignee: **Loncin Industry Co., Ltd.**, Chongqing (CN)

*Primary Examiner*—Cathron C Brooks

*Assistant Examiner*—Linda Brooks

(74) *Attorney, Agent, or Firm*—Nixon Peabody LLP

(\*\*) Term: **14 Years**

(57) **CLAIM**

(21) Appl. No.: **29/291,501**

The ornamental design for an all terrain vehicle, as shown and described.

(22) Filed: **Aug. 31, 2007**

(51) **LOC (9) Cl.** ..... **12-11**

(52) **U.S. Cl.** ..... **D12/107**

(58) **Field of Classification Search** ..... D12/3,  
D12/86, 87, 107, 110; 180/225, 229, 233,  
180/311, 312, 315

See application file for complete search history.

**DESCRIPTION**

FIG. 1 is a front view of an all terrain vehicle.

FIG. 2 is a back view of the all terrain vehicle.

FIG. 3 is a right side view of the all terrain vehicle.

FIG. 4 is a left side view of the all terrain vehicle.

FIG. 5 is a top view of the all terrain vehicle.

FIG. 6 is a front perspective view of the all terrain vehicle; and,

FIG. 7 is a rear perspective view of the all terrain vehicle.

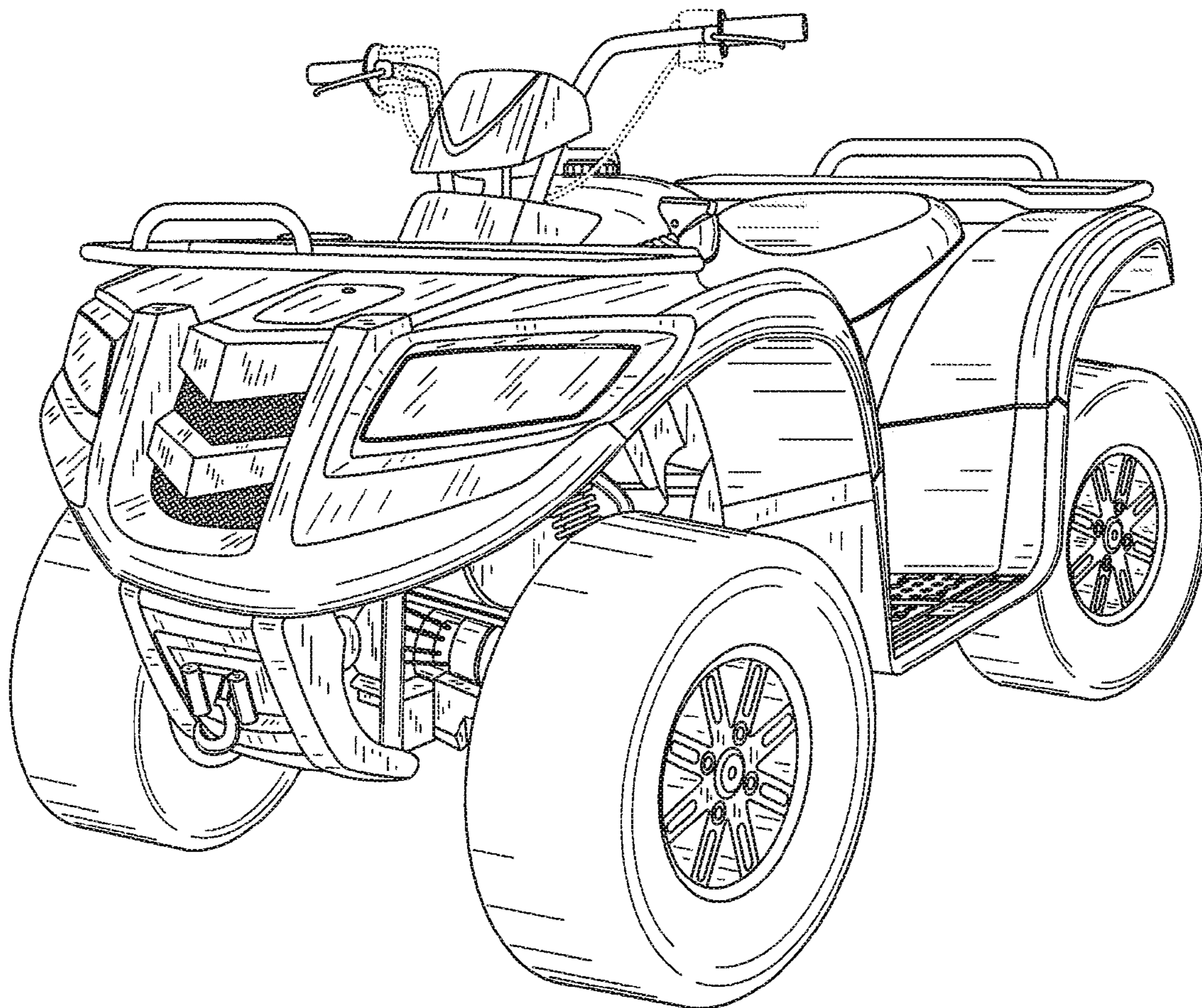
The features shown in broken lines form no part of the claimed design.

(56) **References Cited**

**U.S. PATENT DOCUMENTS**

D516,467 S *	3/2006	Wu	.....	D12/107
D520,912 S *	5/2006	Knight et al.	.....	D12/107
D520,914 S *	5/2006	Luh	.....	D12/107
D522,924 S *	6/2006	Yokoyama et al.	.....	D12/107
D529,414 S *	10/2006	Wu et al.	.....	D12/107

**1 Claim, 5 Drawing Sheets**



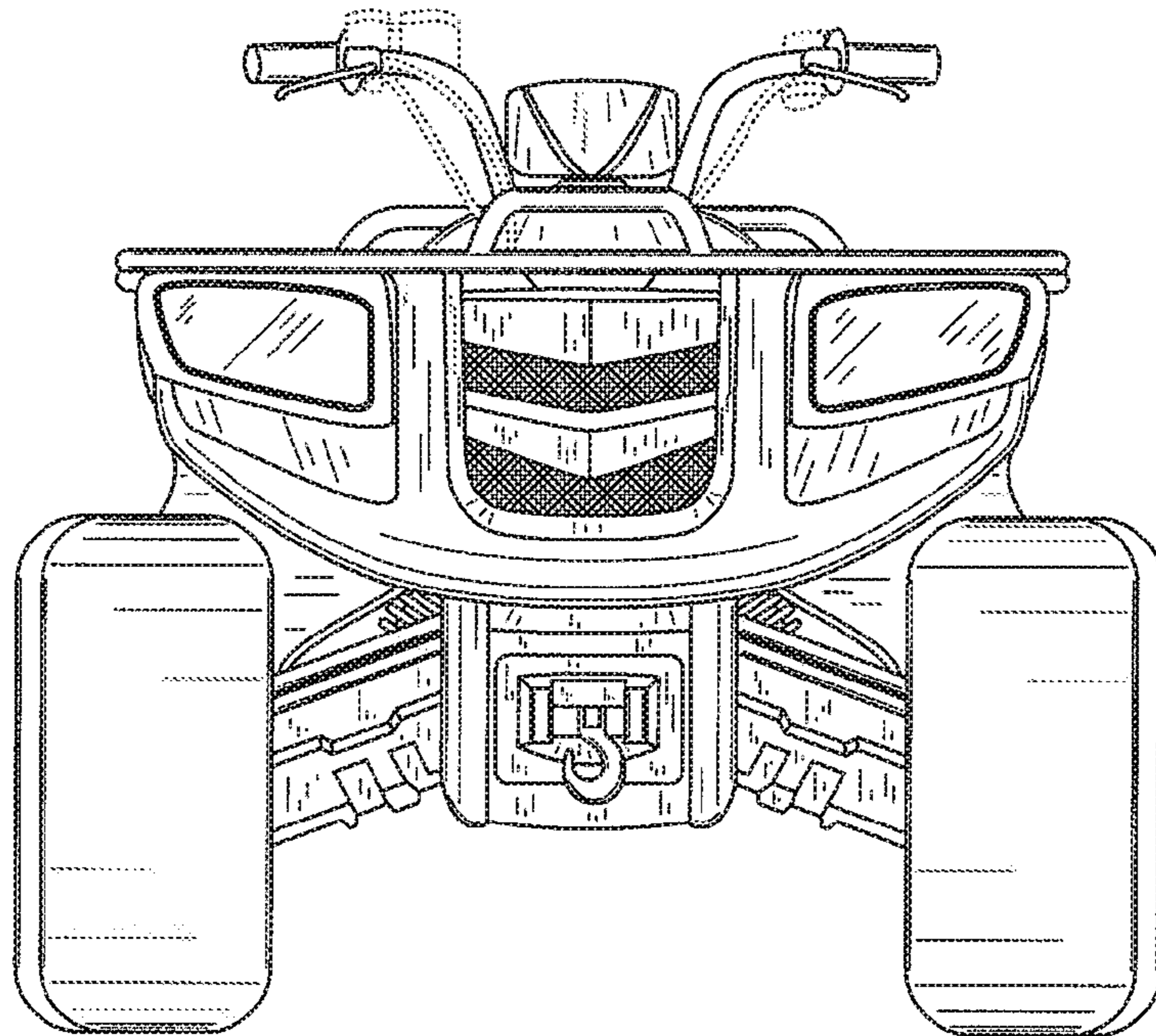


FIG. 1

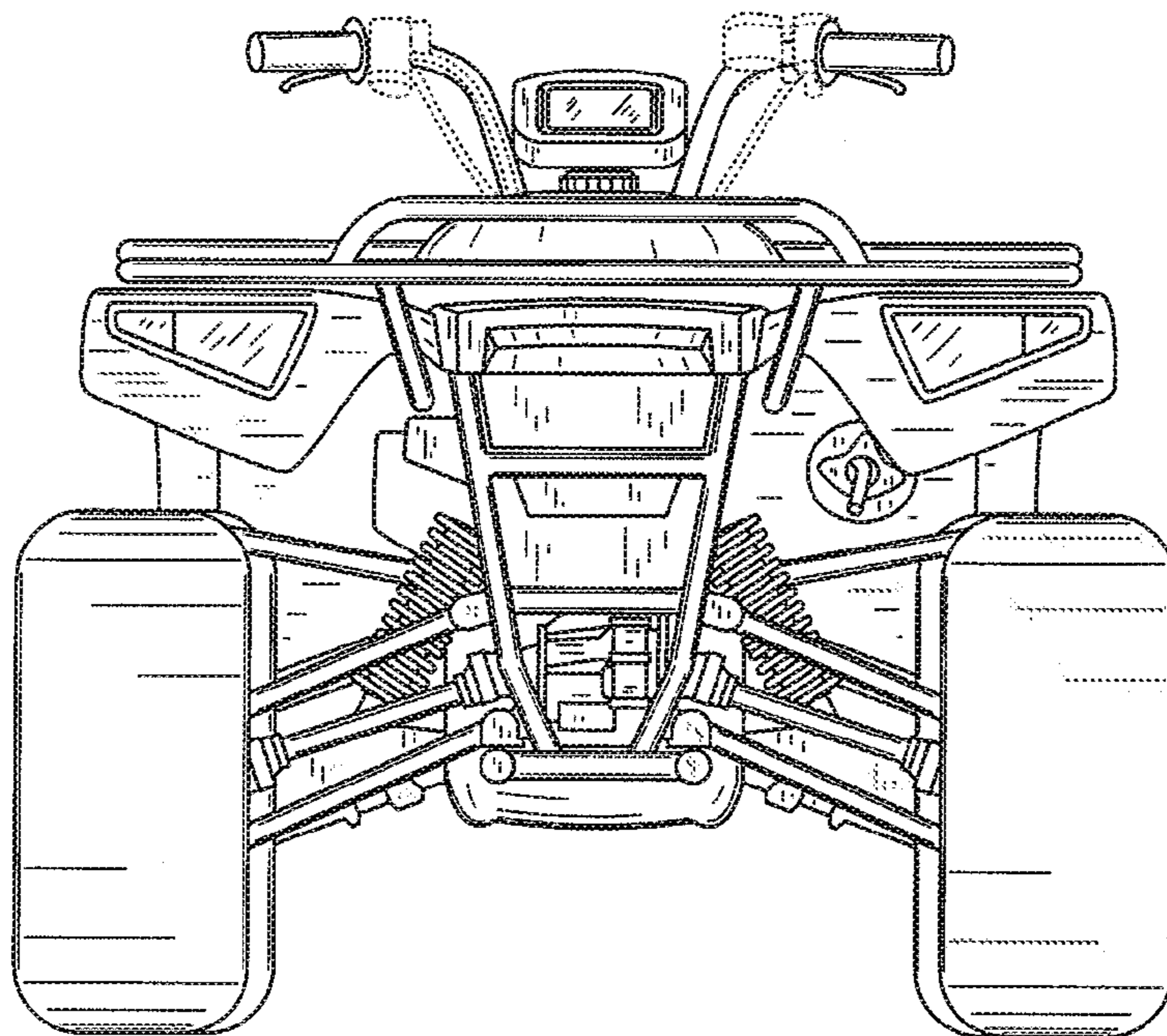


FIG. 2

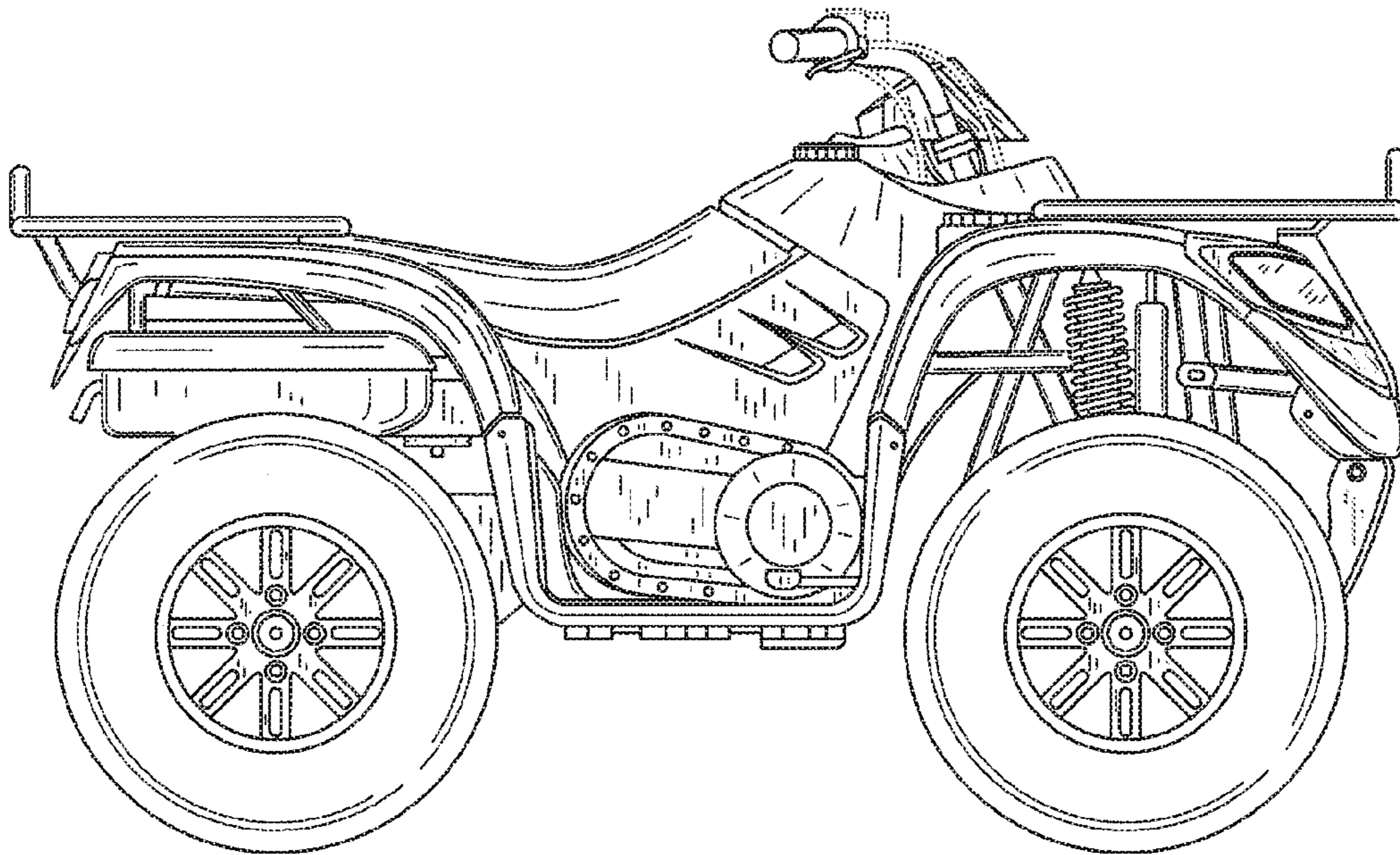


FIG. 3

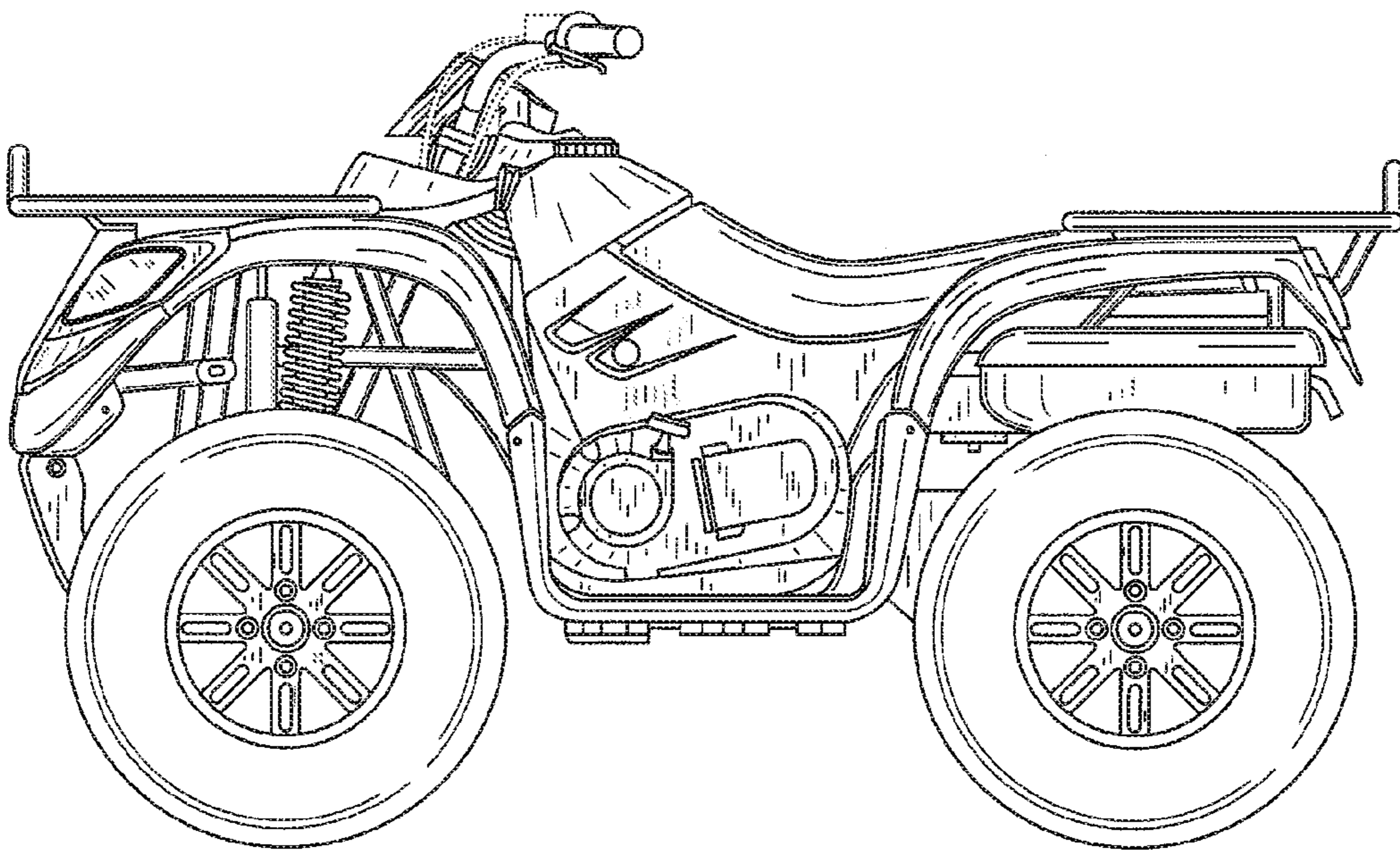


FIG. 4

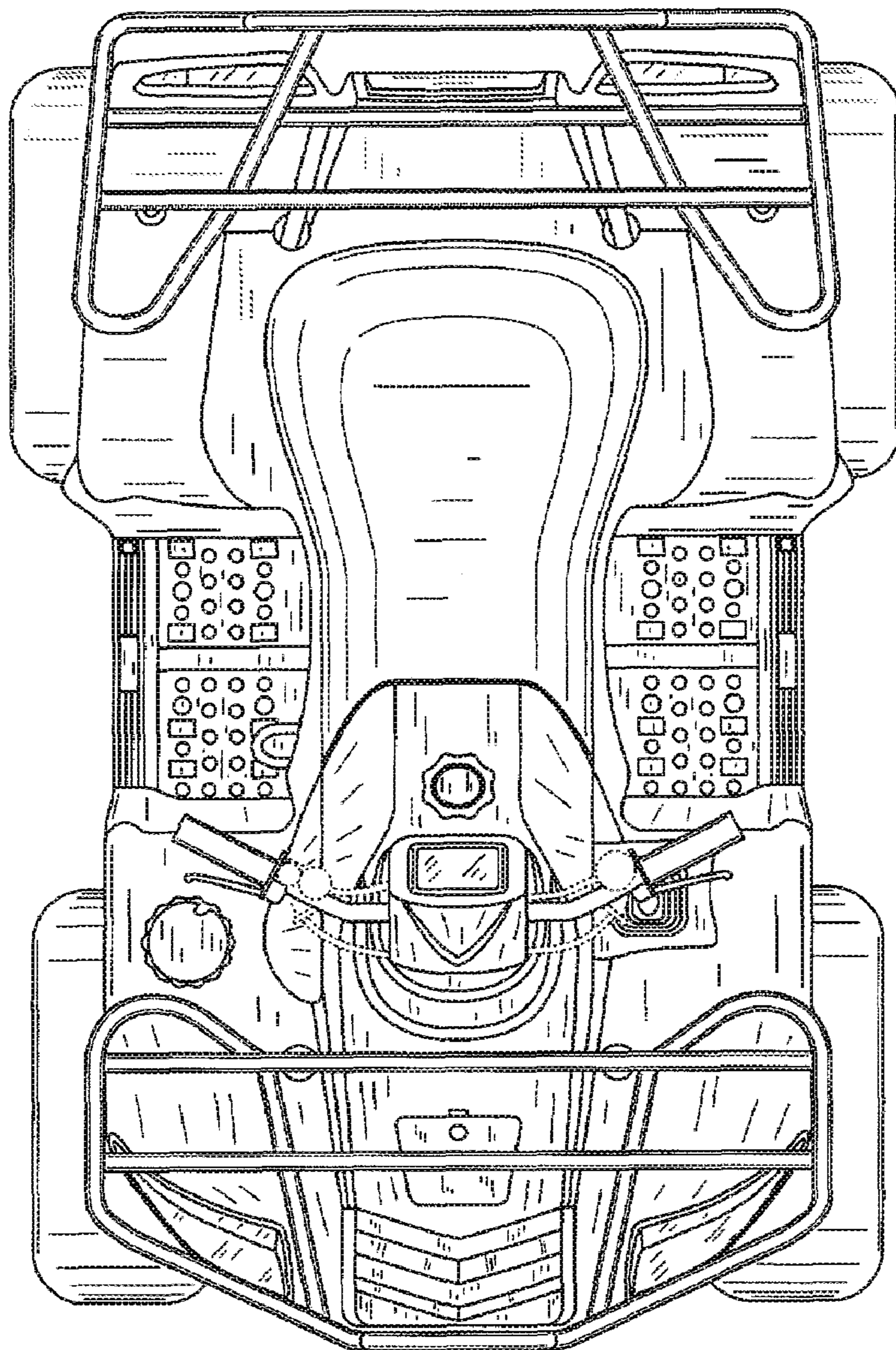


FIG. 5

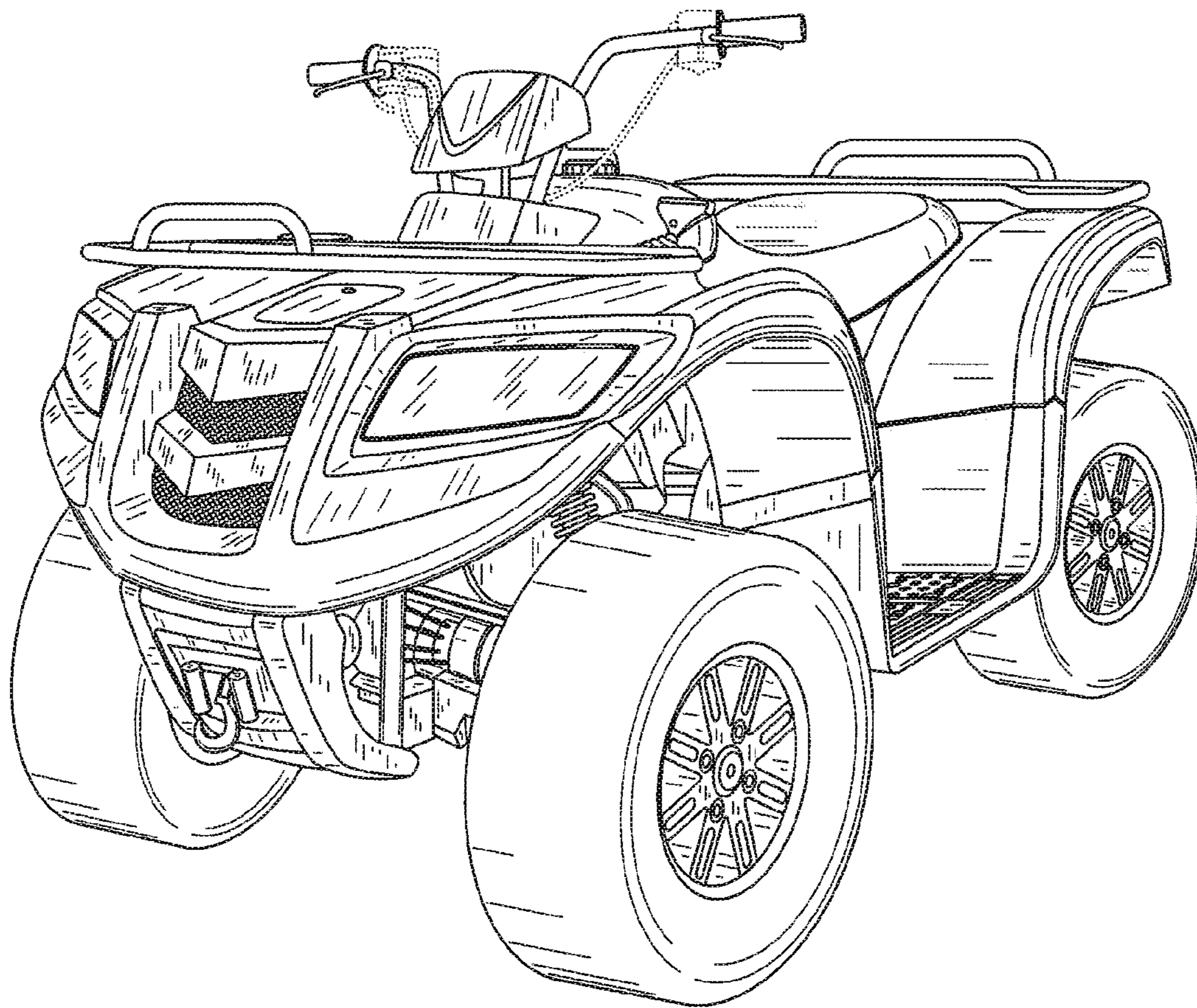


FIG. 6

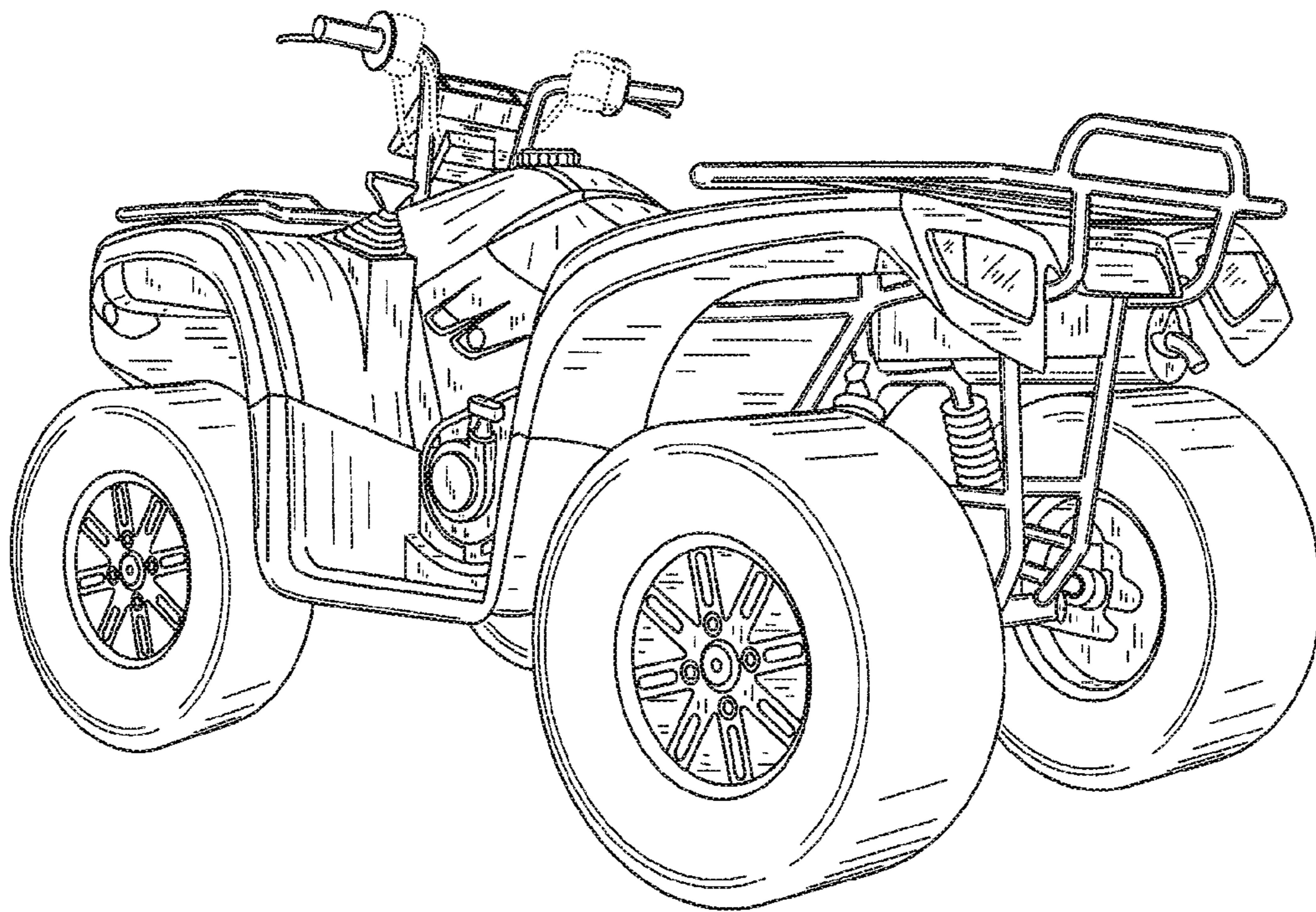


FIG. 7