



US00D609132S

(12) **United States Design Patent**
Busbee

(10) **Patent No.:** **US D609,132 S**
(45) **Date of Patent:** **** Feb. 2, 2010**

(54) **JEWELRY**

(76) Inventor: **Laverne B. Busbee**, P.O. Box 4,
Skyland, NC (US) 28776

(**) Term: **14 Years**

(21) Appl. No.: **29/339,749**

(22) Filed: **Jul. 7, 2009**

(51) **LOC (9) Cl.** **11-03**

(52) **U.S. Cl.** **D11/96**

(58) **Field of Classification Search** D11/1-2,
D11/40-41, 43-50, 53, 56, 60, 63, 65, 67,
D11/75-78.1, 86, 89, 95-105, 108-109, 115-116;
63/1.11-1.14, 1.16, 1.18, 13, 14.1, 35, 38-39
See application file for complete search history.

(56) **References Cited**

U.S. PATENT DOCUMENTS

115,252 A *	5/1871	Spencer	473/612
D26,013 S *	9/1896	Dutemple	D11/97
D226,624 S	4/1973	Maze		
D233,362 S	10/1974	Scott		
D236,019 S	7/1975	Scott		
D268,963 S *	5/1983	Wiman	D99/27
D500,261 S	12/2004	Pachachi		
D523,374 S	6/2006	Raid et al.		

D523,773 S 6/2006 Raid et al.
D580,815 S * 11/2008 Powell D11/96

* cited by examiner

Primary Examiner—R. Seifert

(74) *Attorney, Agent, or Firm*—Trego, Hines & Ladenheim,
PLLC

(57) **CLAIM**

I claim the ornamental design for a jewelry, as shown and described.

DESCRIPTION

FIG. 1 is a front perspective view of a jewelry, showing my new design;

FIG. 2 is a front elevational view of the jewelry of FIG. 1;

FIG. 3 is a rear elevational view of the jewelry of FIG. 1;

FIG. 4 is a top plan view of the jewelry of FIG. 1;

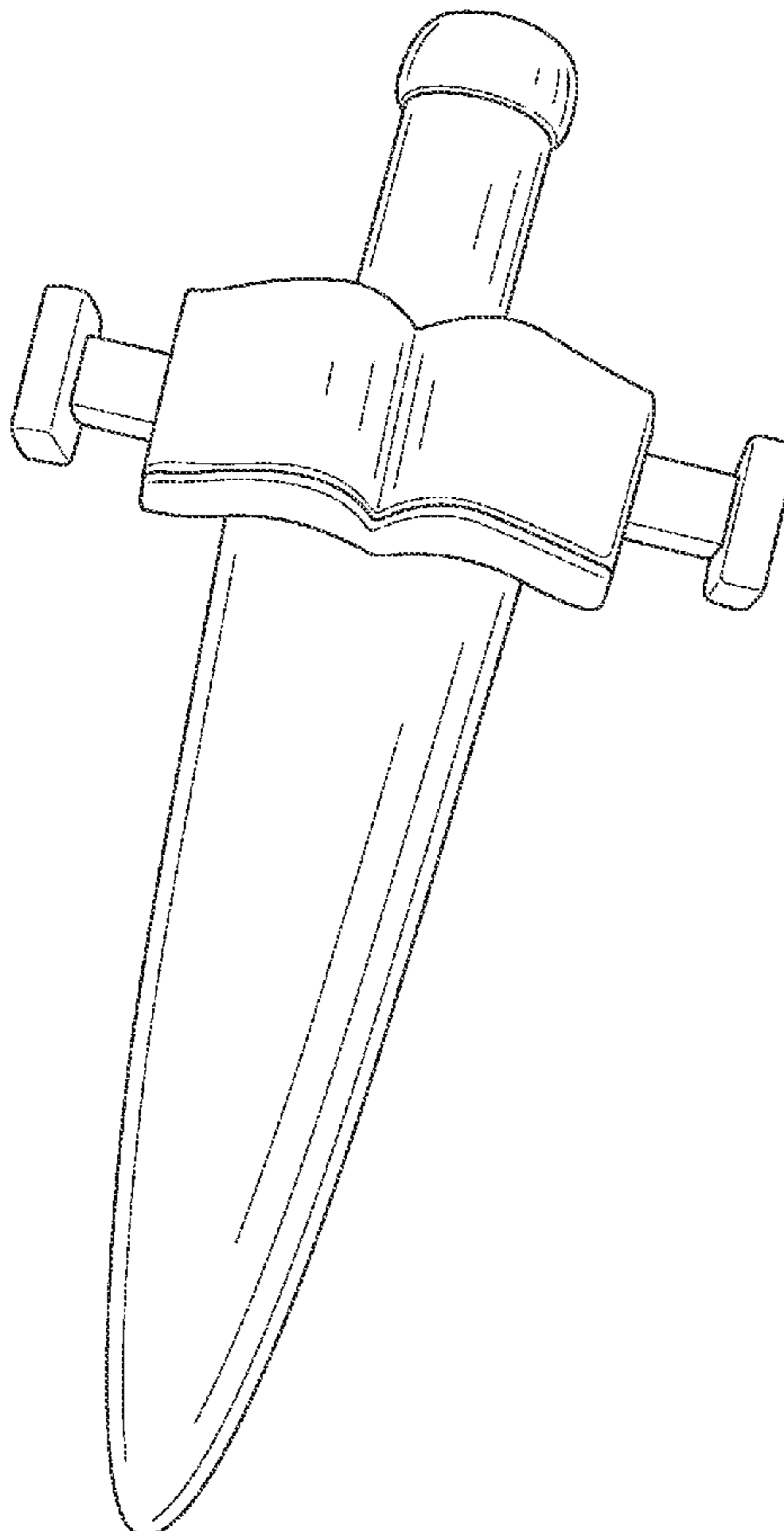
FIG. 5 is a bottom plan view of the jewelry of FIG. 1;

FIG. 6 is a left side elevational view of the jewelry of FIG. 1; and,

FIG. 7 is a right side elevational view of the jewelry of FIG. 1.

The elements shown in broken lines are for illustrative purposes only and form no part of the claimed design.

1 Claim, 6 Drawing Sheets



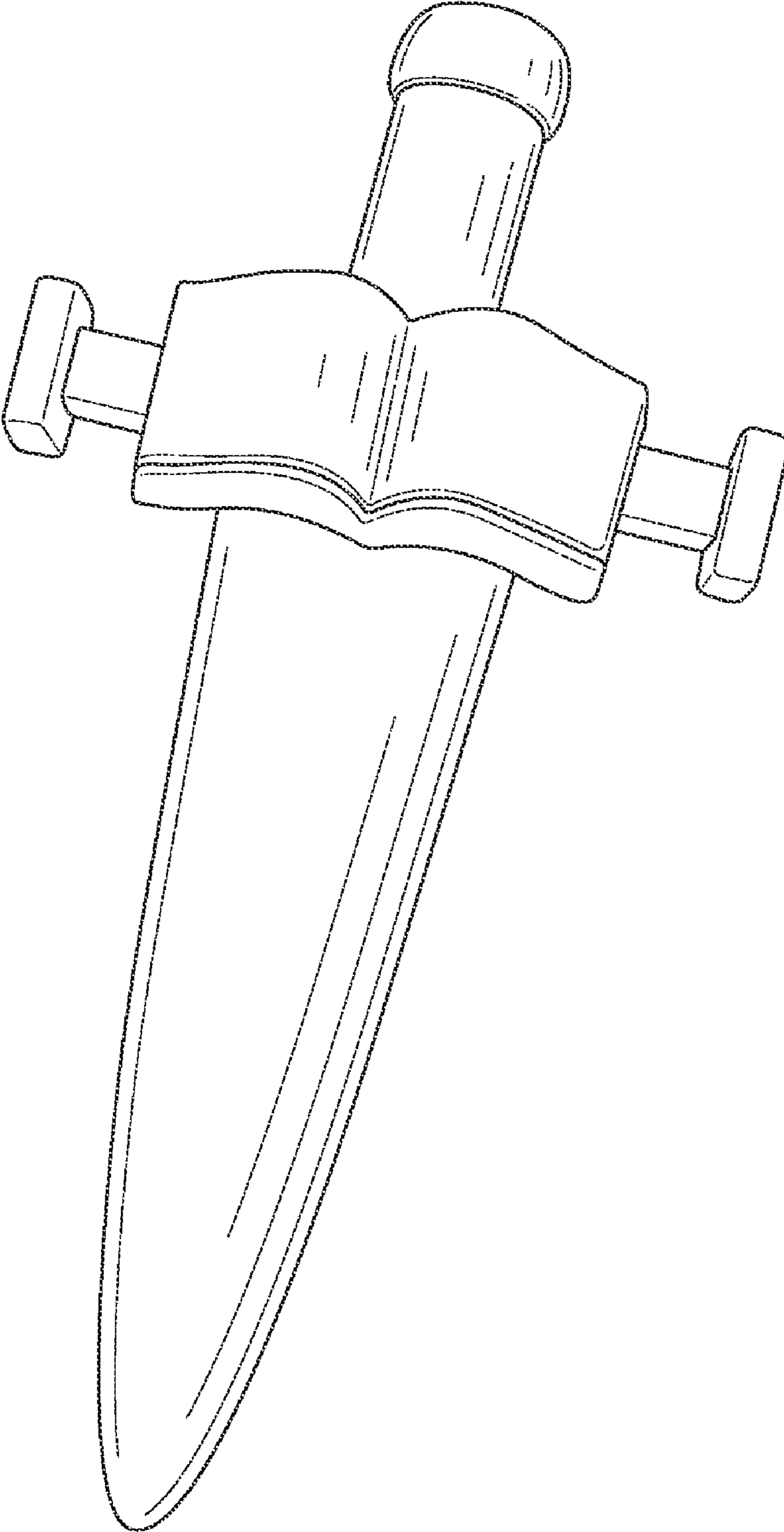


FIG. 1

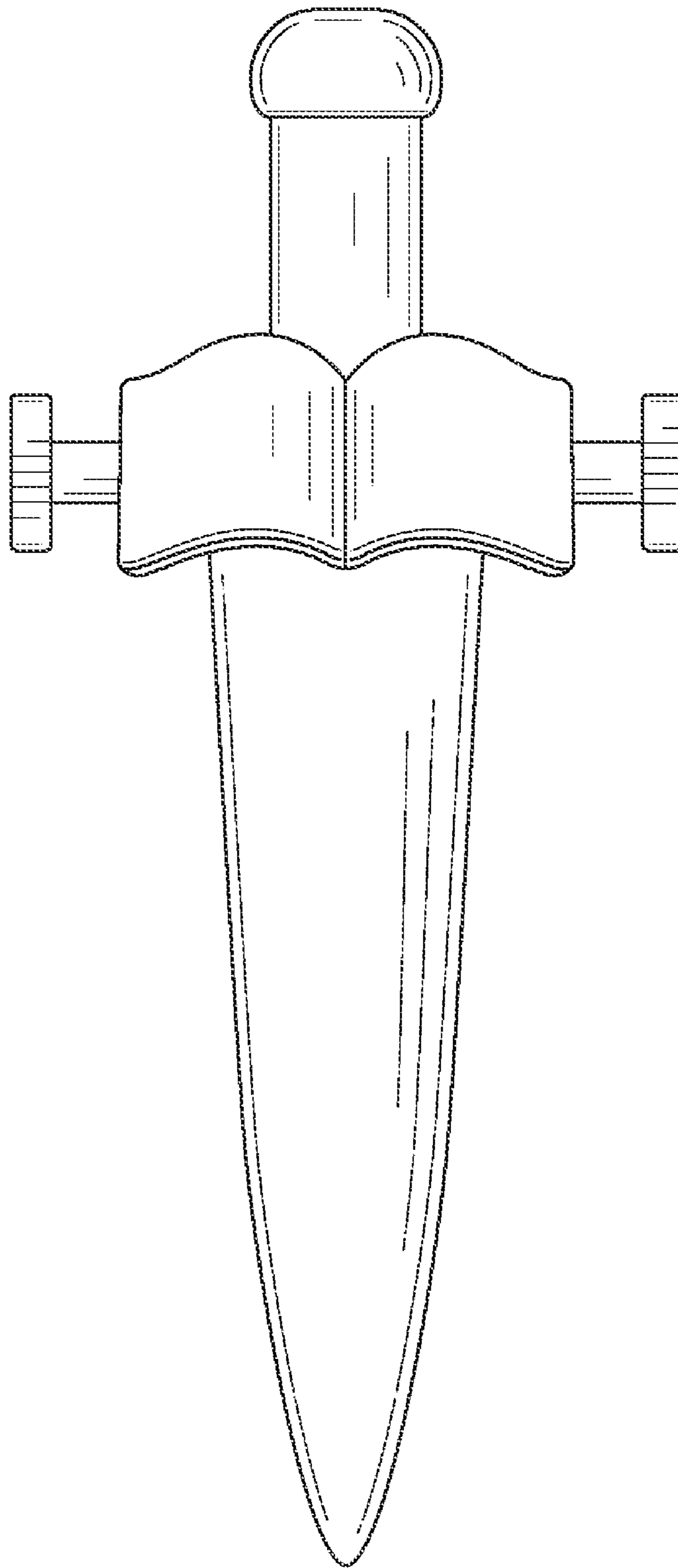


FIG. 2

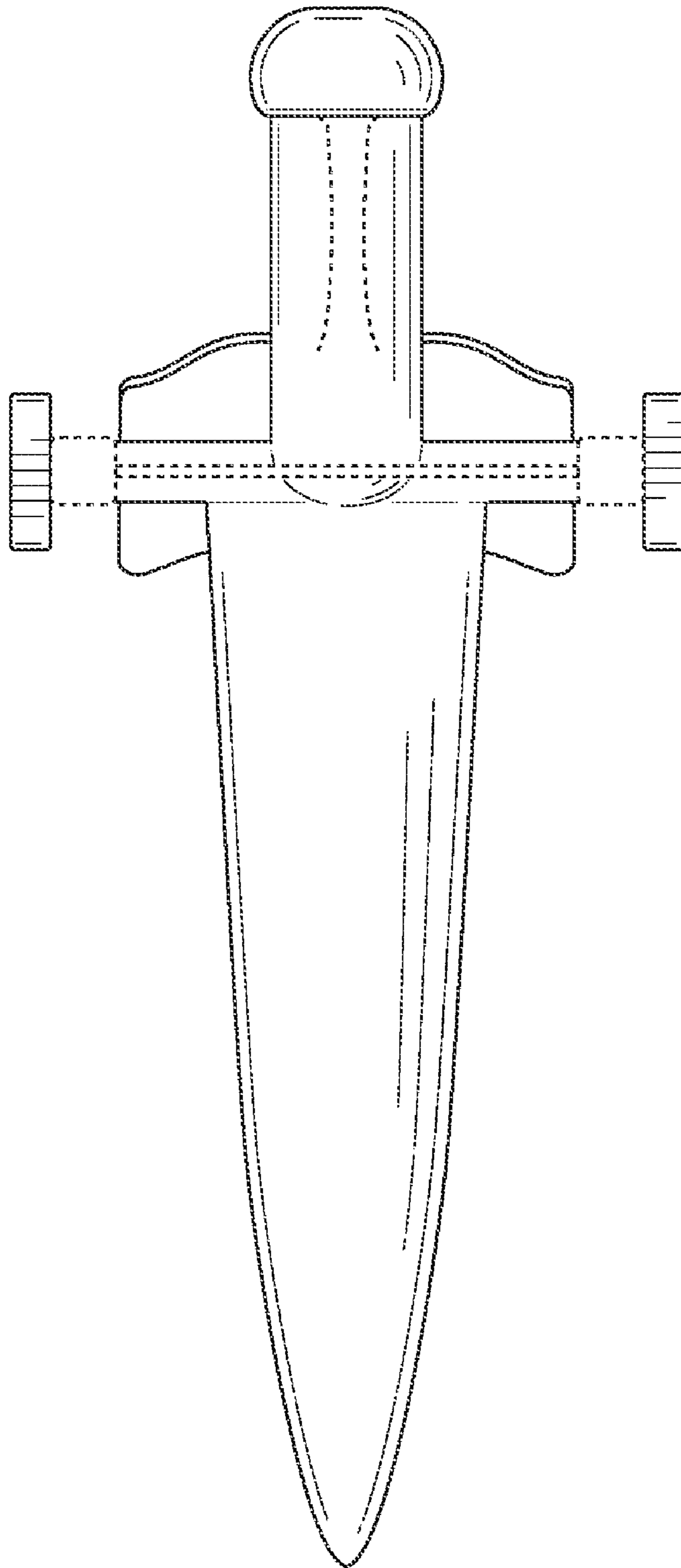


FIG. 3

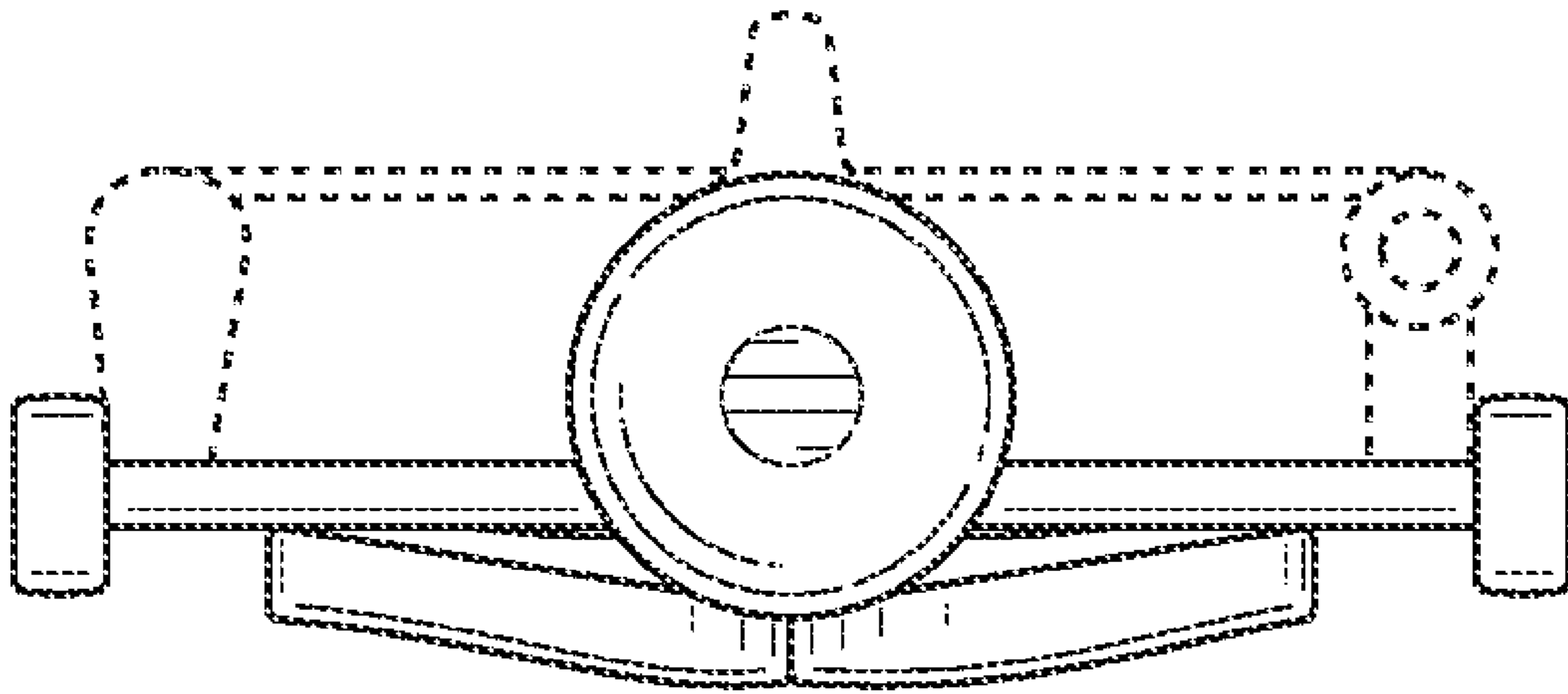


FIG. 4

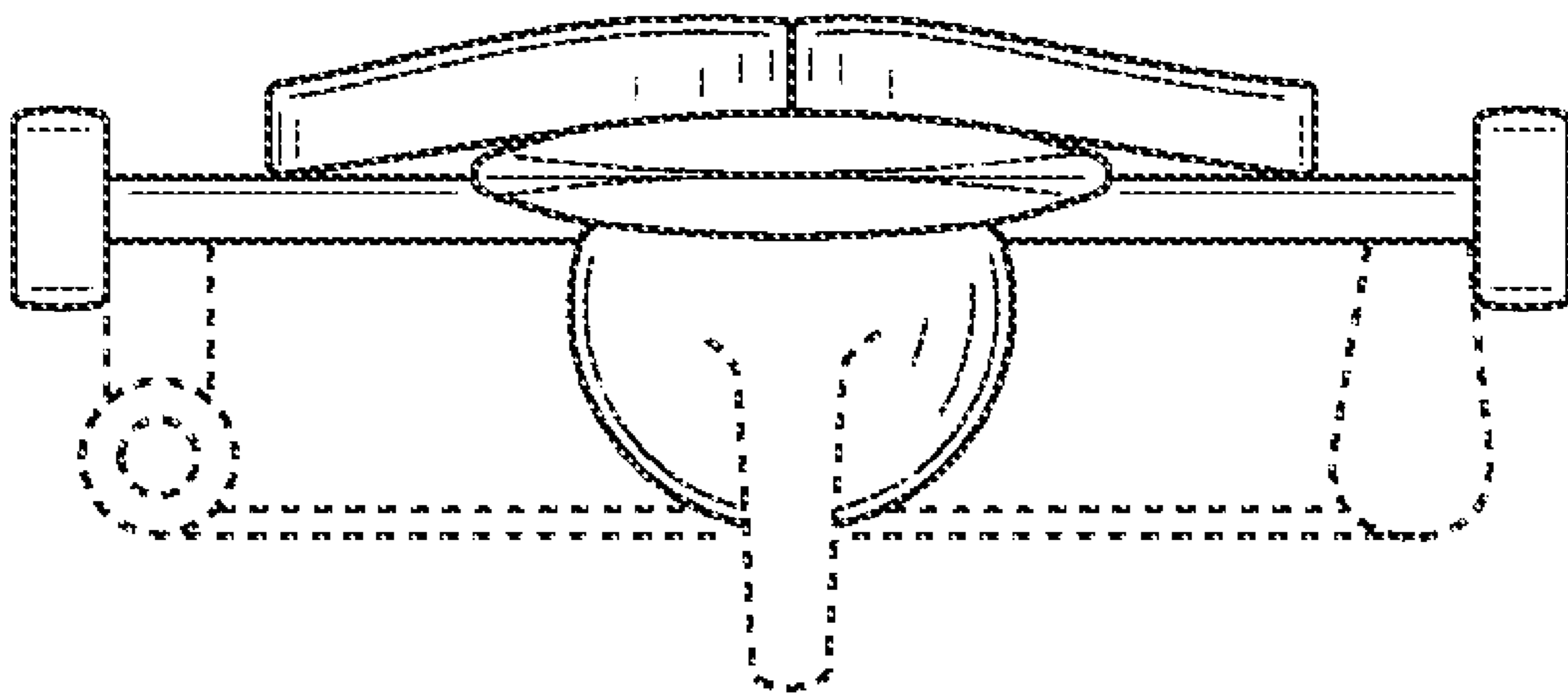


FIG. 5

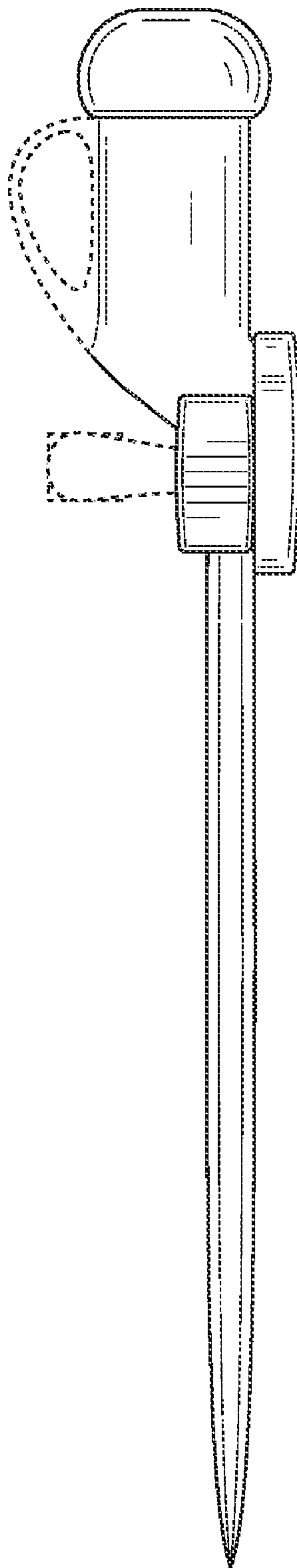


FIG. 6

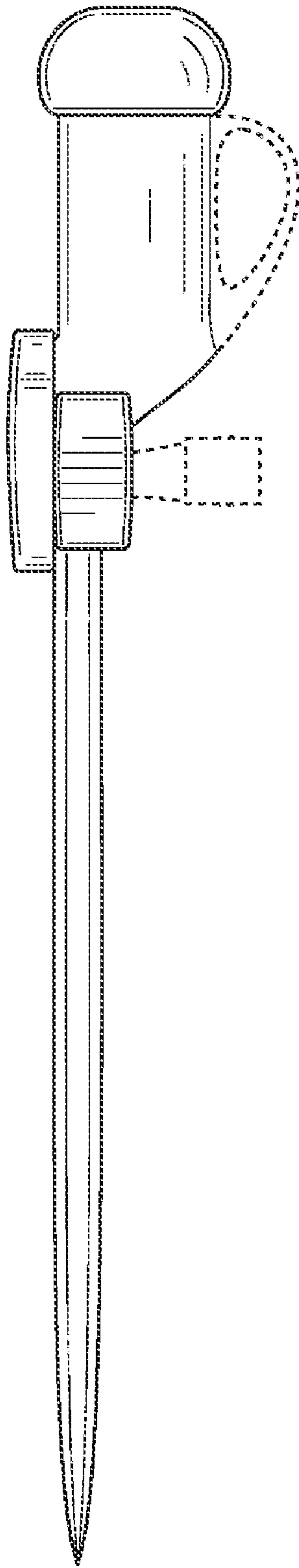


FIG. 7