



US00D609126S

(12) **United States Design Patent**
Wilson

(10) **Patent No.:** **US D609,126 S**

(45) **Date of Patent:** **** Feb. 2, 2010**

(54) **ROUND LIGHT AND SENSOR ASSEMBLY**

(76) **Inventor:** **Gregg Wilson**, P.O. Box 80246, Goleta, CA (US) 93118

(**) **Term:** **14 Years**

(21) **Appl. No.:** **29/340,414**

(22) **Filed:** **Jul. 17, 2009**

(51) **LOC (9) Cl.** **10-05**

(52) **U.S. Cl.** **D10/106**

(58) **Field of Classification Search** D10/104,
D10/106; 340/521, 540, 541, 542, 543, 544,
340/545, 555, 556, 558, 571, 572, 573; 392/423;
134/21; 362/276; 428/192; D26/51, 68,
D26/63; D13/134, 158; 361/679.01

See application file for complete search history.

(56) **References Cited**

U.S. PATENT DOCUMENTS

D342,334 S	*	12/1993	Vakil	D26/51
5,377,076 A	*	12/1994	Wen	361/679.01
D386,802 S	*	11/1997	Kim, II	D26/51
D547,222 S		7/2007	Wilson et al.		
2008/0150716 A1	*	6/2008	Huang	340/540

OTHER PUBLICATIONS

Co-pending U.S. Patent Application for: Light Display and Activity Sensor for High Profile Vehicles, U.S. Appl. No. 11/494,685, filed Jul. 27, 2006.

* cited by examiner

Primary Examiner—Caron Veynar

Assistant Examiner—George D Kirschbaum

(74) *Attorney, Agent, or Firm*—Ganz Law, P.C.

(57) **CLAIM**

The ornamental design for a round light and sensor assembly, as shown and described.

DESCRIPTION

FIG. 1 is a front perspective view showing the round light and sensor assembly according to the novel design.

FIG. 2 is a left side elevation view thereof.

FIG. 3 is a right side elevation view thereof.

FIG. 4 is a back view thereof.

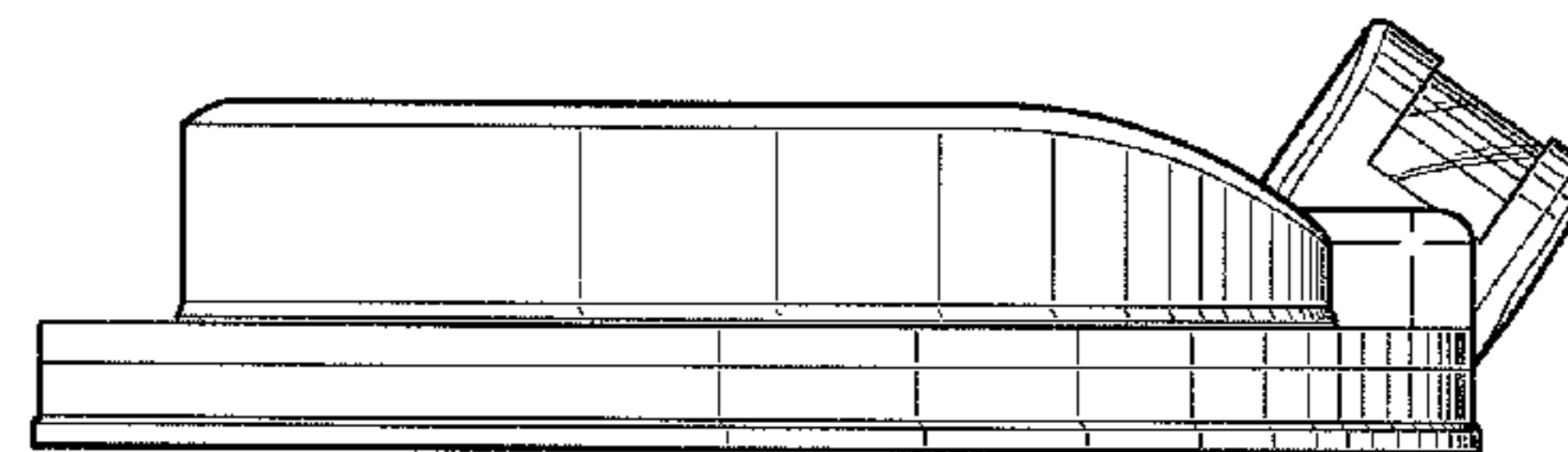
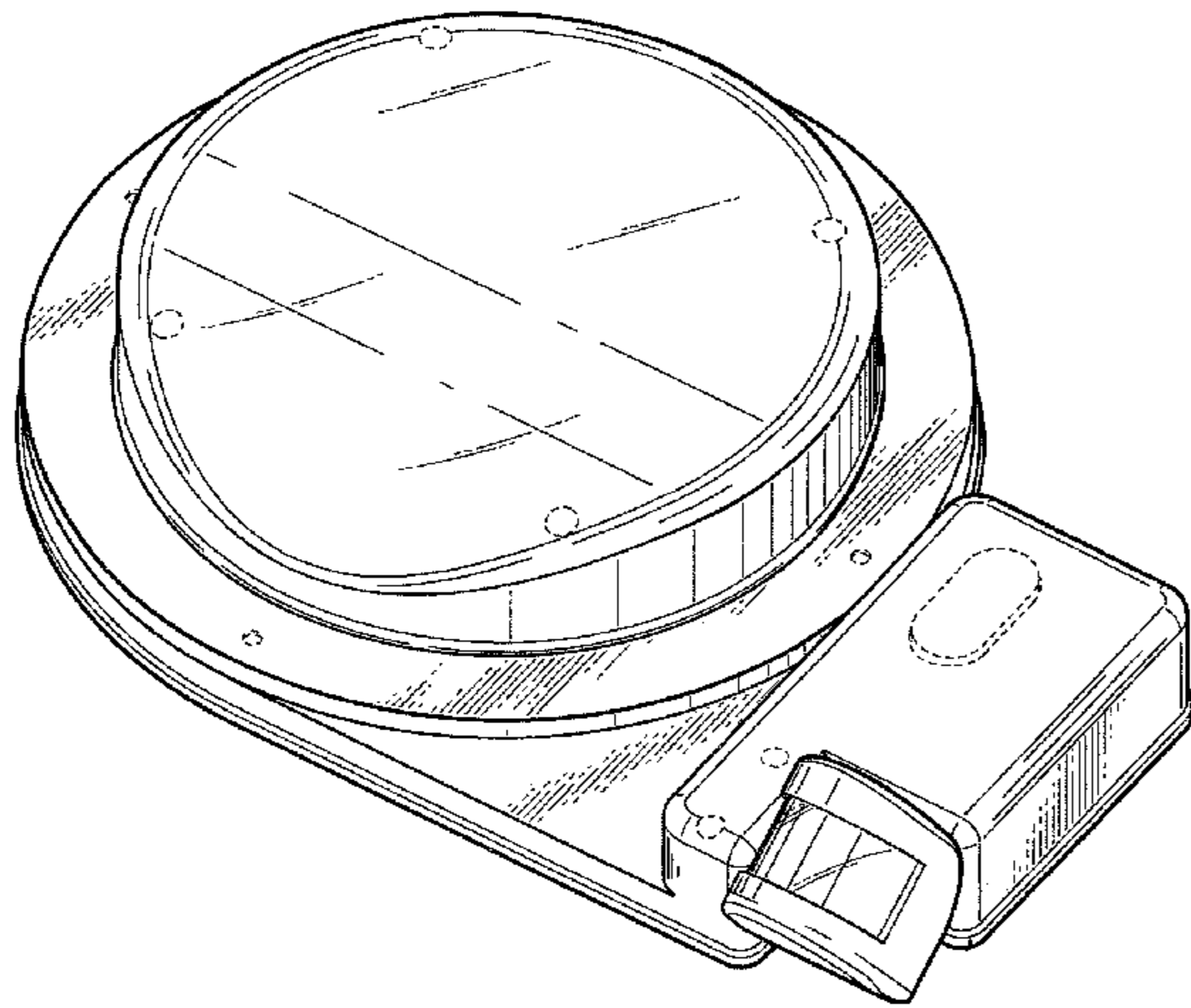
FIG. 5 is a front view thereof.

FIG. 6 is a top view thereof; and,

FIG. 7 is a bottom view thereof.

The broken lines, showing the remainder of the round light and sensor assembly form no part of the claimed design.

1 Claim, 4 Drawing Sheets



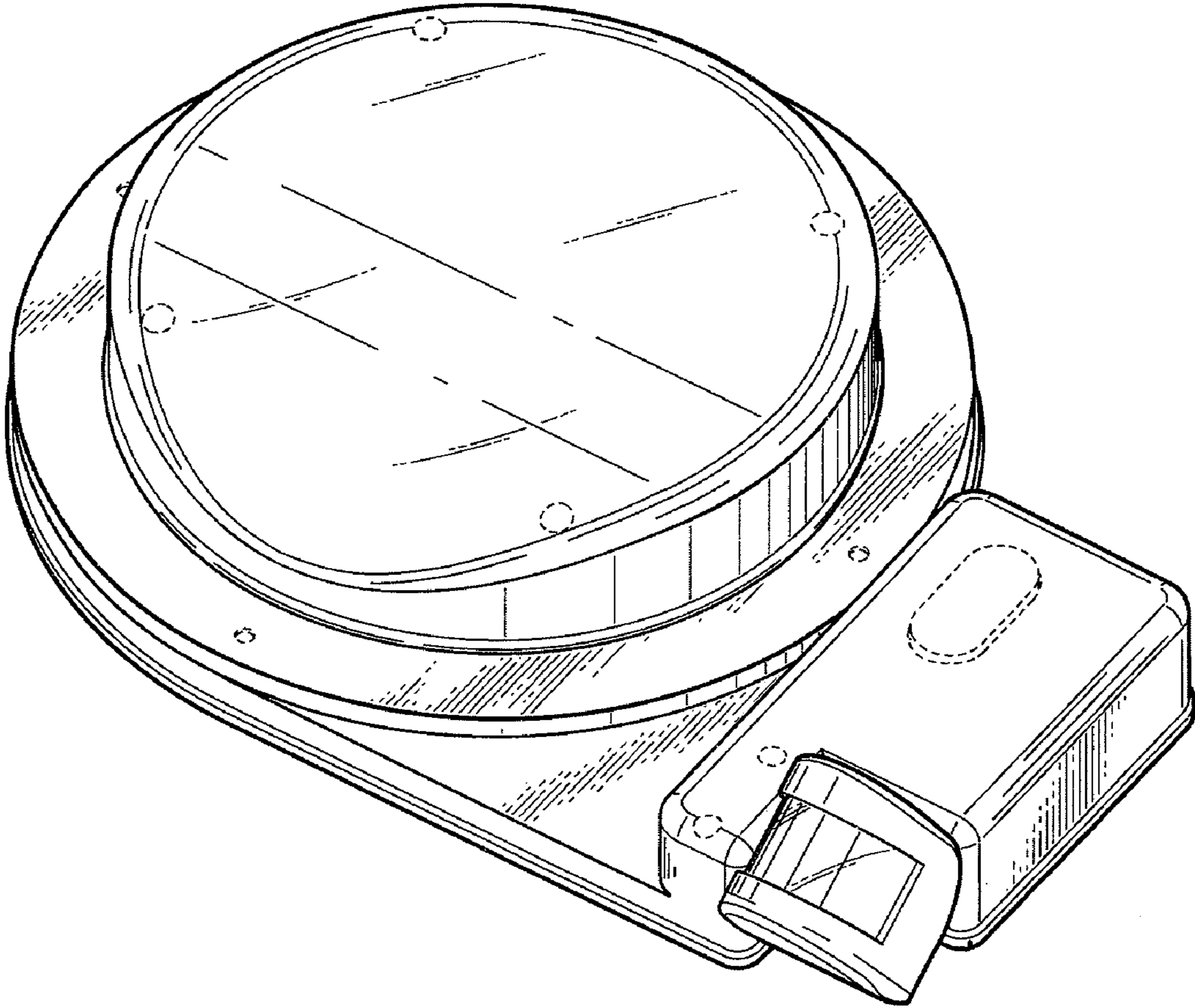


FIG. 1

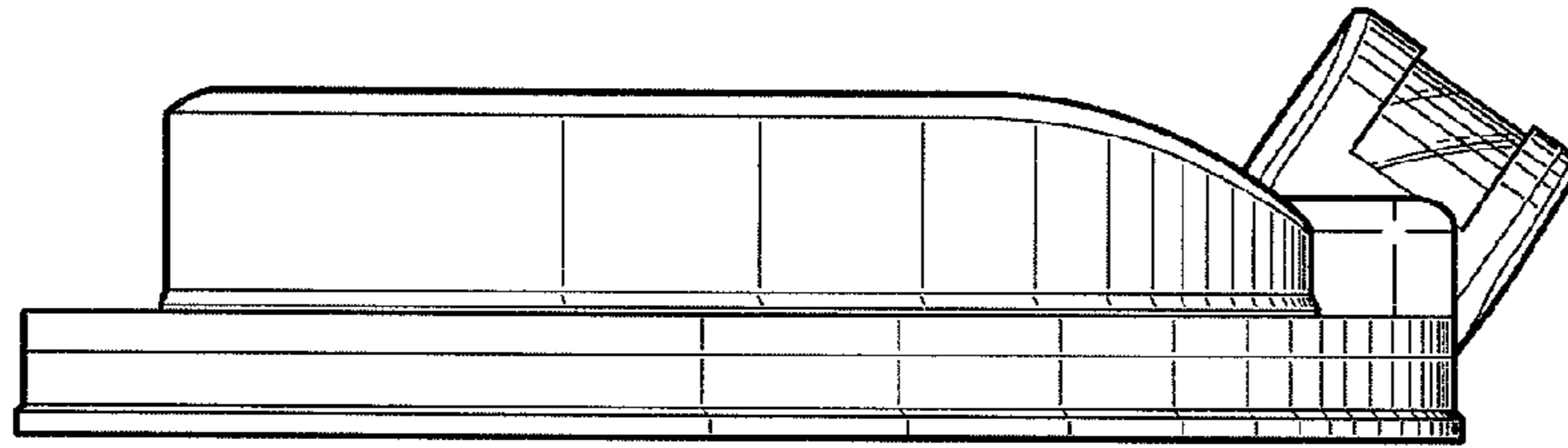


FIG. 2

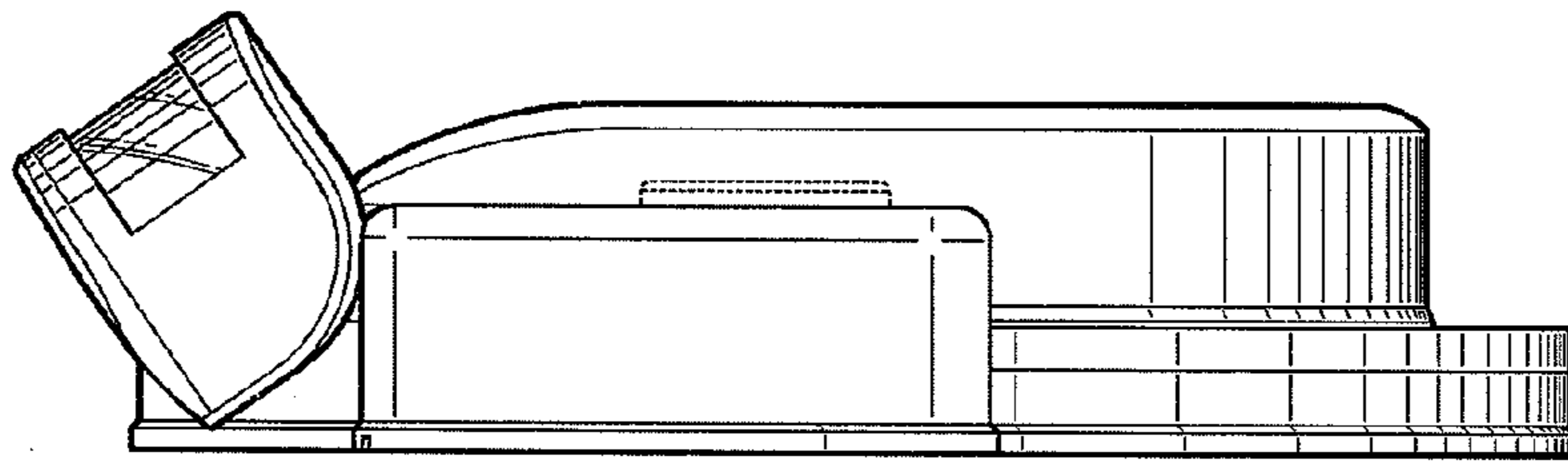


FIG. 3

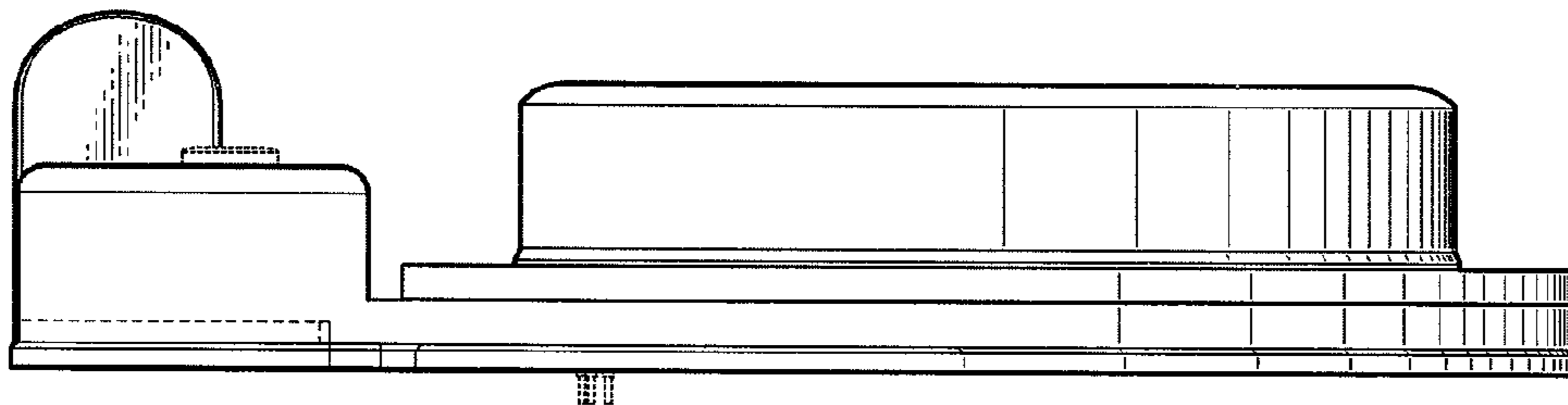


FIG. 4

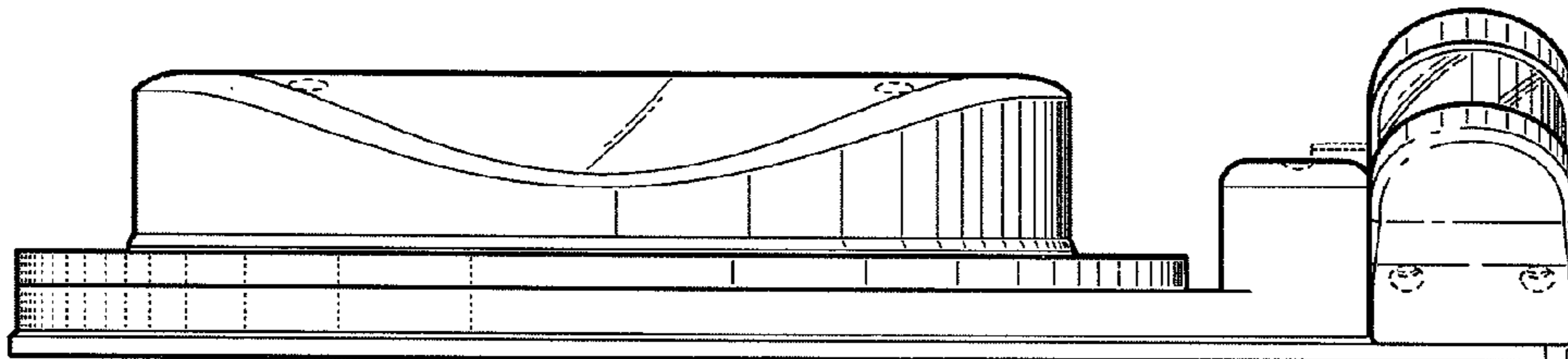


FIG. 5

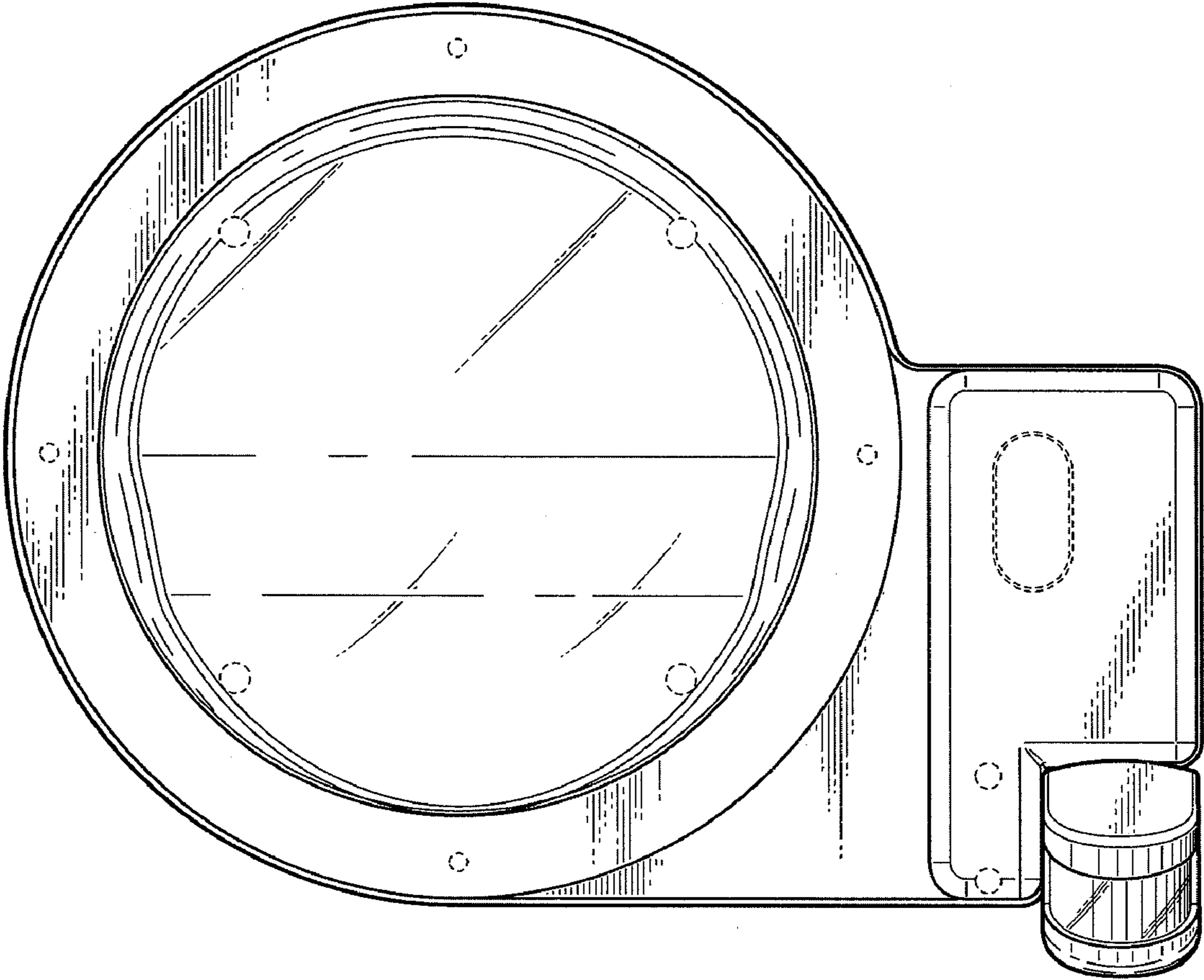


FIG. 6

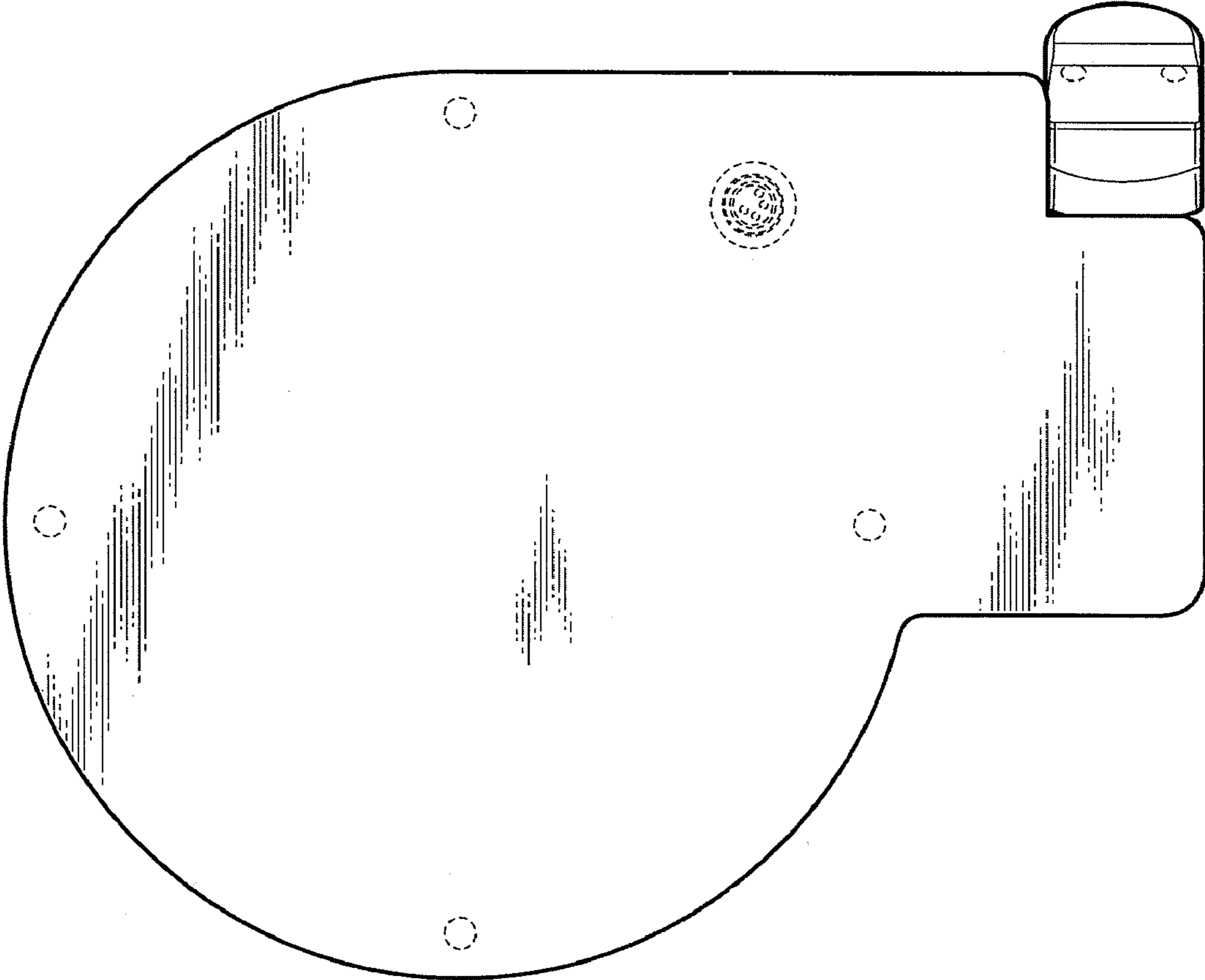


FIG. 7