



US00D609125S

(12) **United States Design Patent**
Perez

(10) **Patent No.:** **US D609,125 S**
(45) **Date of Patent:** **** Feb. 2, 2010**

(54) **PINLESS SECURITY DEVICE**

7,148,805 B2 * 12/2006 Hogan 340/572.9

(75) Inventor: **Sergio M. Perez**, Lake Worth, FL (US)

* cited by examiner

(73) Assignee: **Sensormatic Electronics, LLC**, Boca Raton, FL (US)

Primary Examiner—Caron Veynar
Assistant Examiner—George D Kirschbaum

(**) Term: **14 Years**

(57) **CLAIM**

(21) Appl. No.: **29/315,859**

The ornamental design for a pinless security device, as shown and described.

(22) Filed: **Jul. 29, 2009**

(51) **LOC (9) Cl.** **10-05**

(52) **U.S. Cl.** **D10/106**

(58) **Field of Classification Search** D10/104,
D10/106; D8/333; 24/704.1; 340/10.1,
340/571, 571.1, 571.9; 40/625
See application file for complete search history.

DESCRIPTION

FIG. 1 is a front perspective view showing the new design taken from the top end and left side thereof;

FIG. 2 is a front view thereof;

FIG. 3 is a rear view thereof;

FIG. 4 is a top end view thereof;

FIG. 5 is a bottom end view thereof;

FIG. 6 is a right side elevational view thereof;

FIG. 7 is a left side elevational view thereof; and,

FIG. 8 is a perspective view thereof.

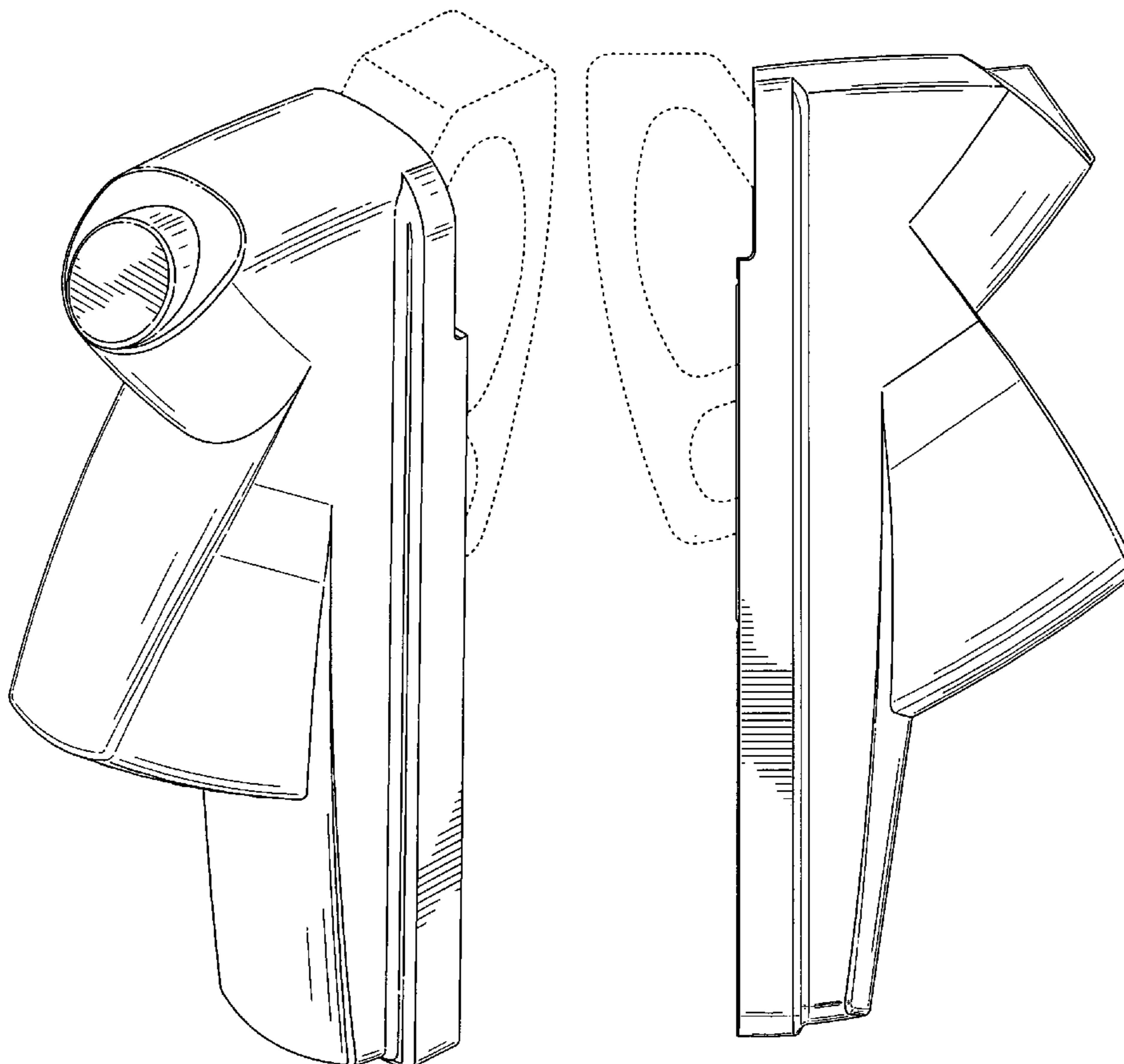
In the drawings, the broken line showing of a retaining clip, and in FIG. 8 a shoe, depict environmental subject matter and form no part of the claimed design.

(56) **References Cited**

U.S. PATENT DOCUMENTS

4,685,234	A *	8/1987	Anderson et al.	40/625
5,655,392	A *	8/1997	Holmgren	70/57.1
5,979,095	A *	11/1999	Schneider et al.	40/633
D427,929	S *	7/2000	Sayegh	D10/104
D460,012	S *	7/2002	Proulx et al.	D10/106
D466,426	S *	12/2002	Proulx et al.	D10/104
D474,417	S *	5/2003	Belden et al.	D10/104
D478,829	S *	8/2003	Yang et al.	D10/104

1 Claim, 8 Drawing Sheets



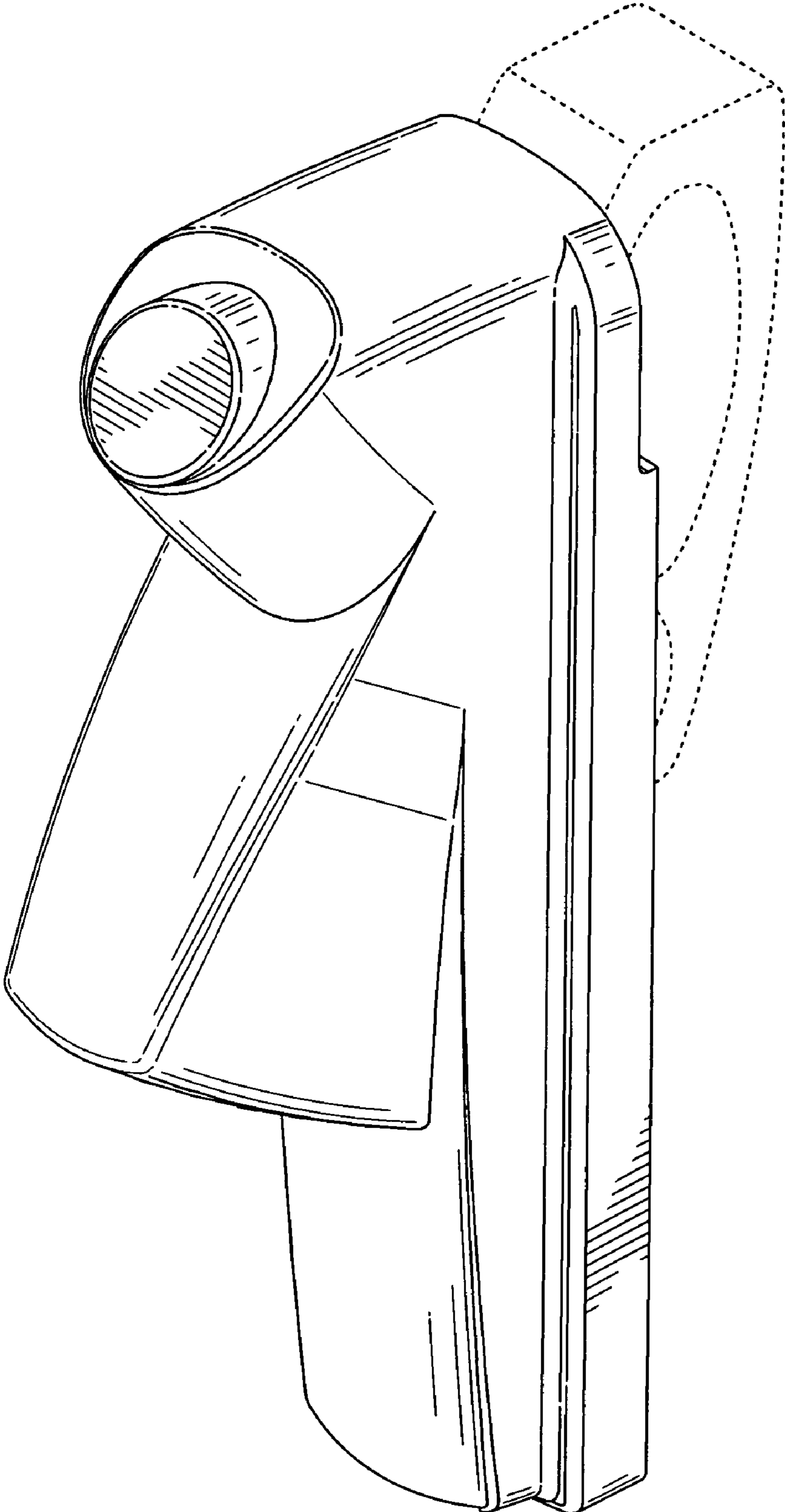


FIG. 1

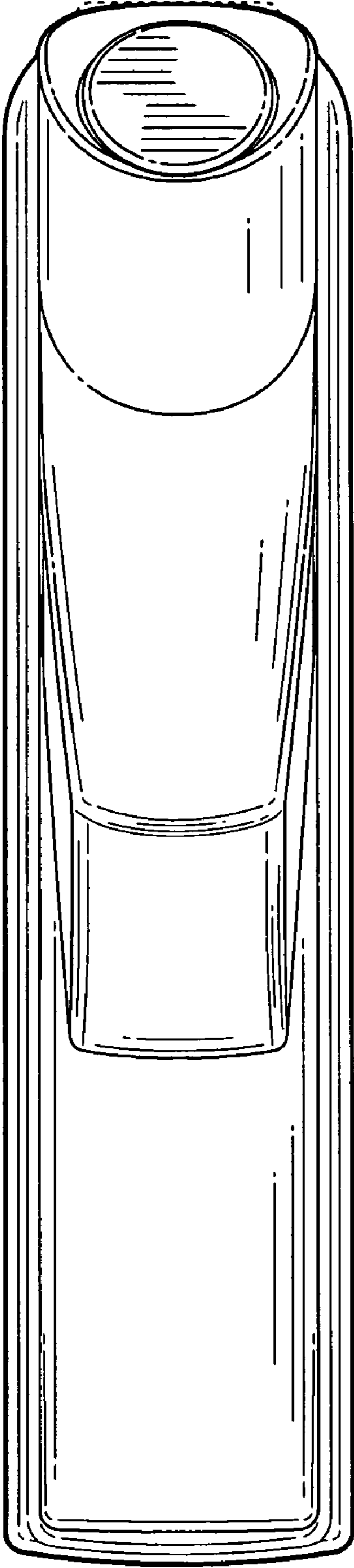


FIG. 2

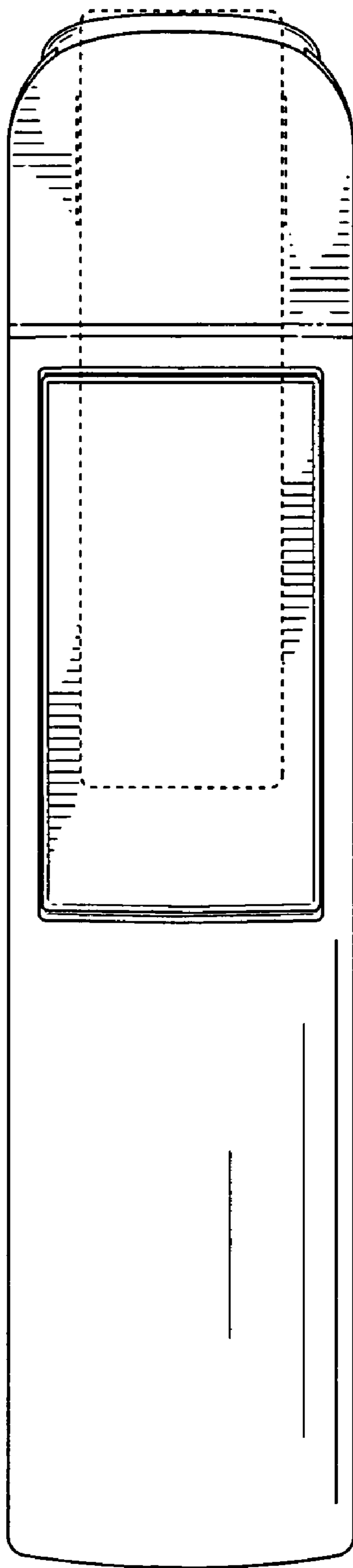


FIG. 3

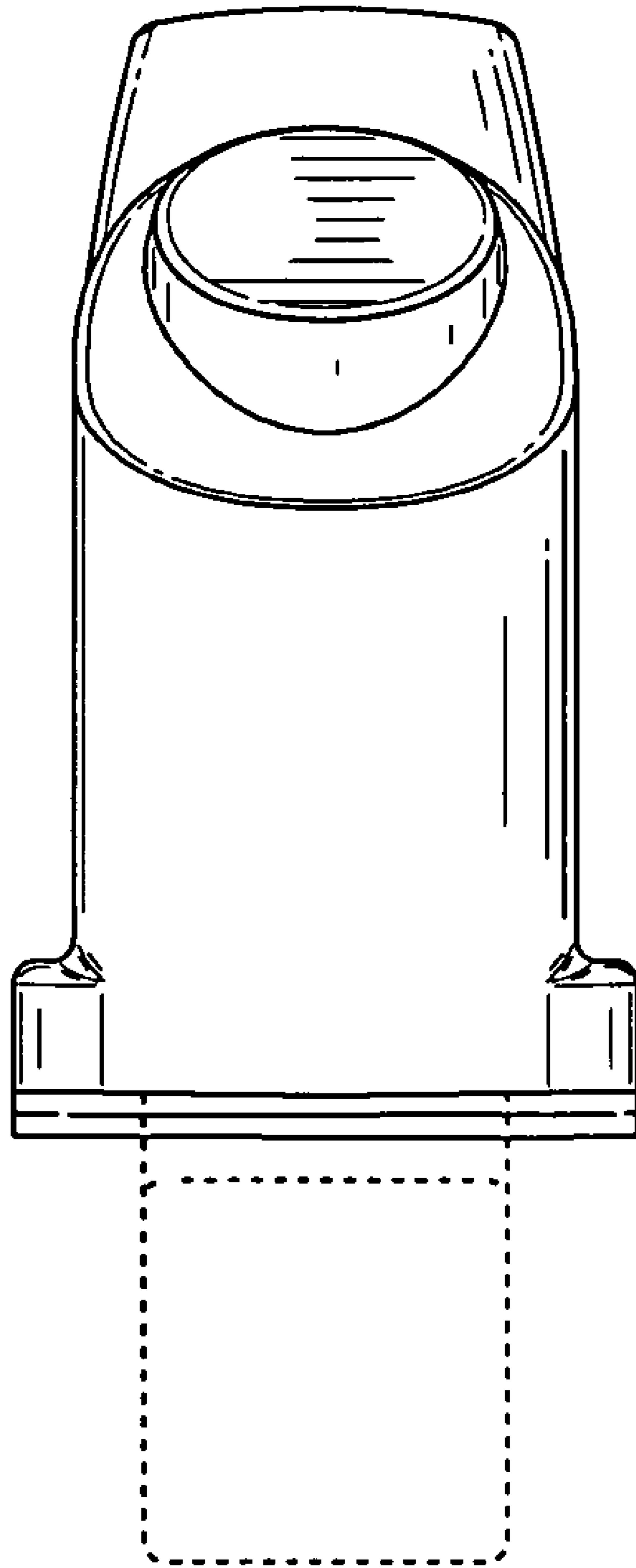


FIG. 4

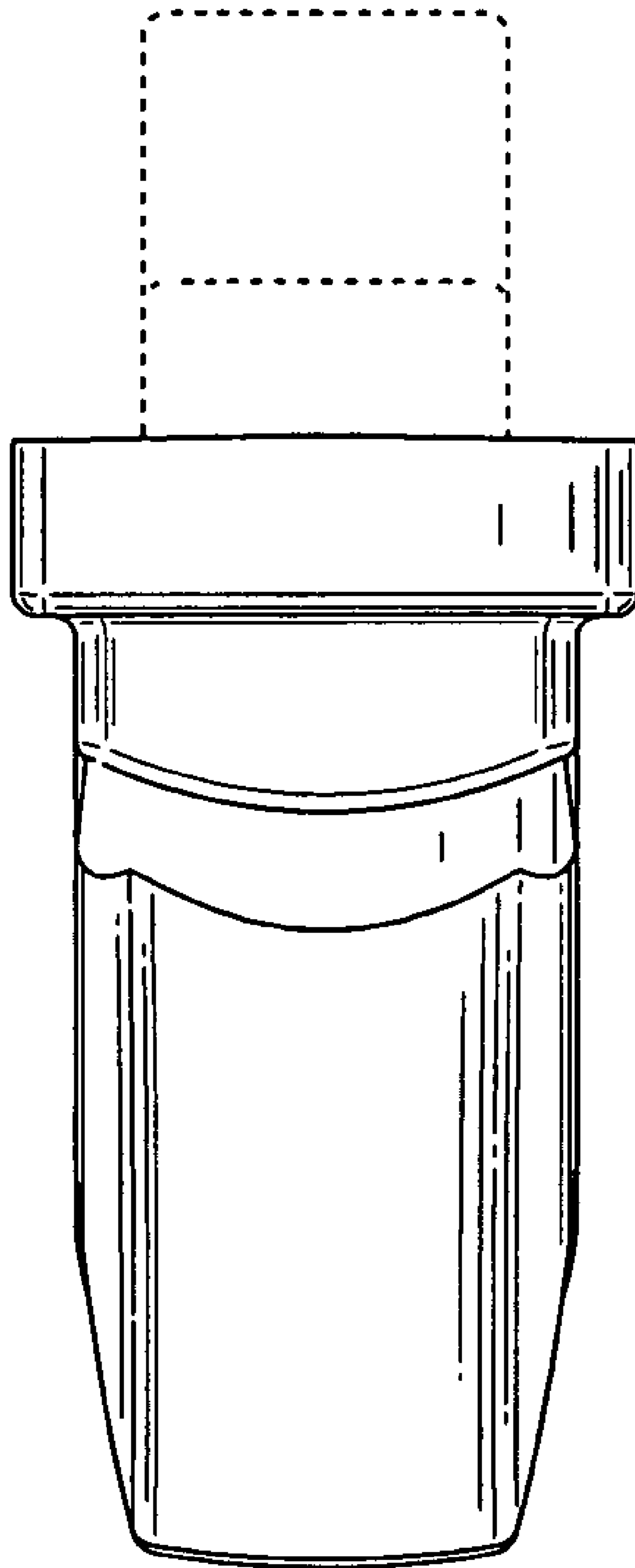


FIG. 5

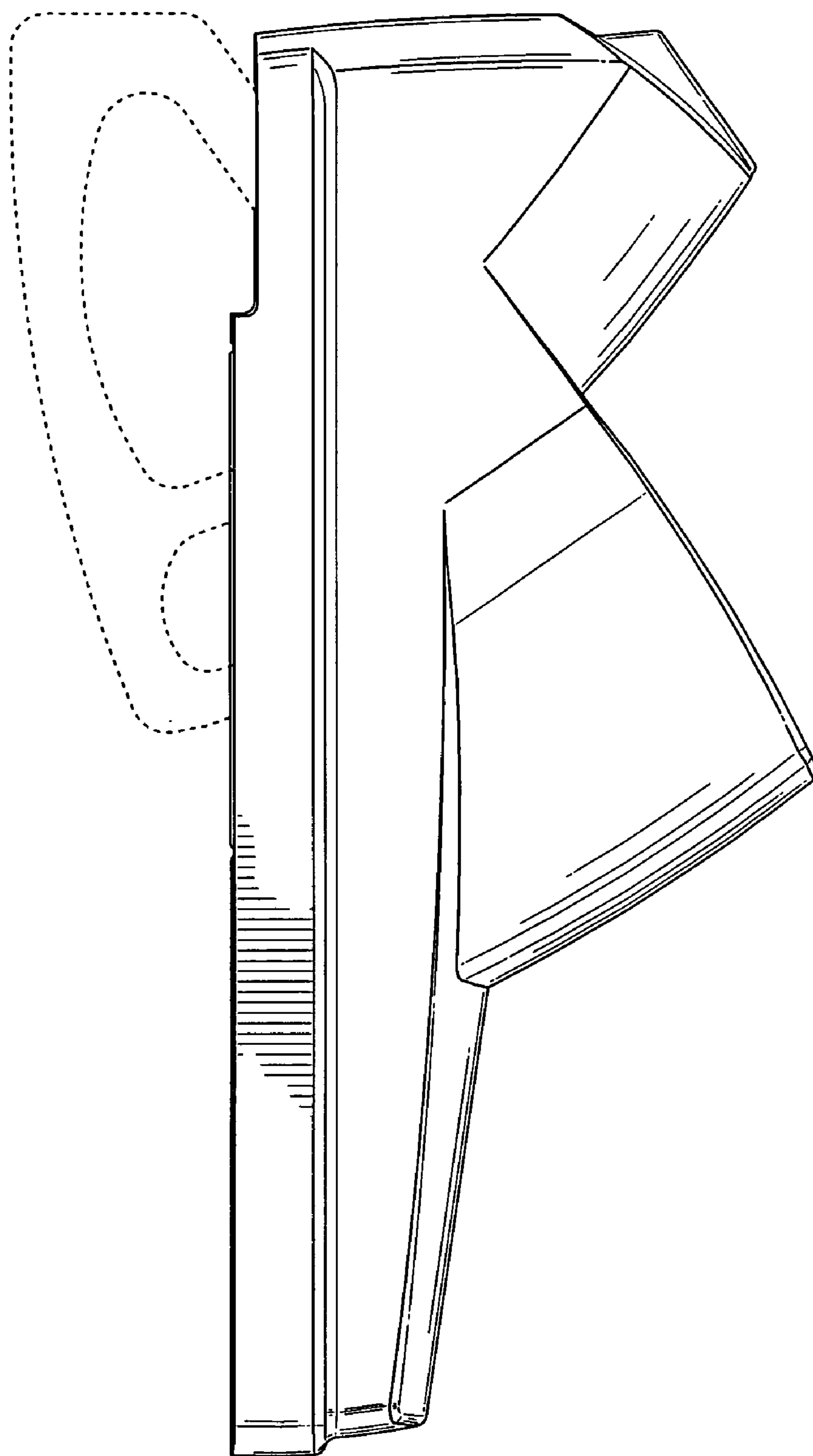


FIG. 6

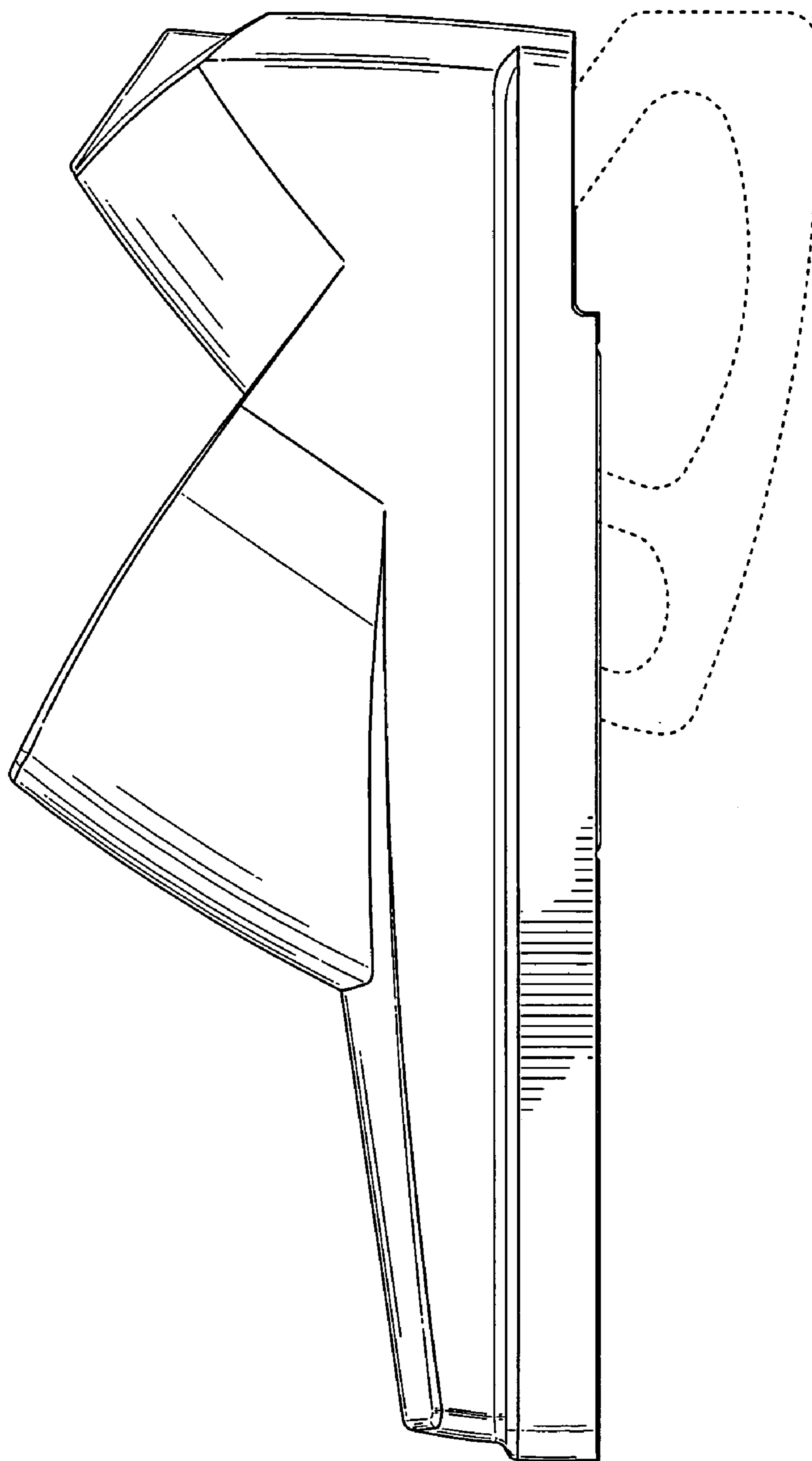


FIG. 7

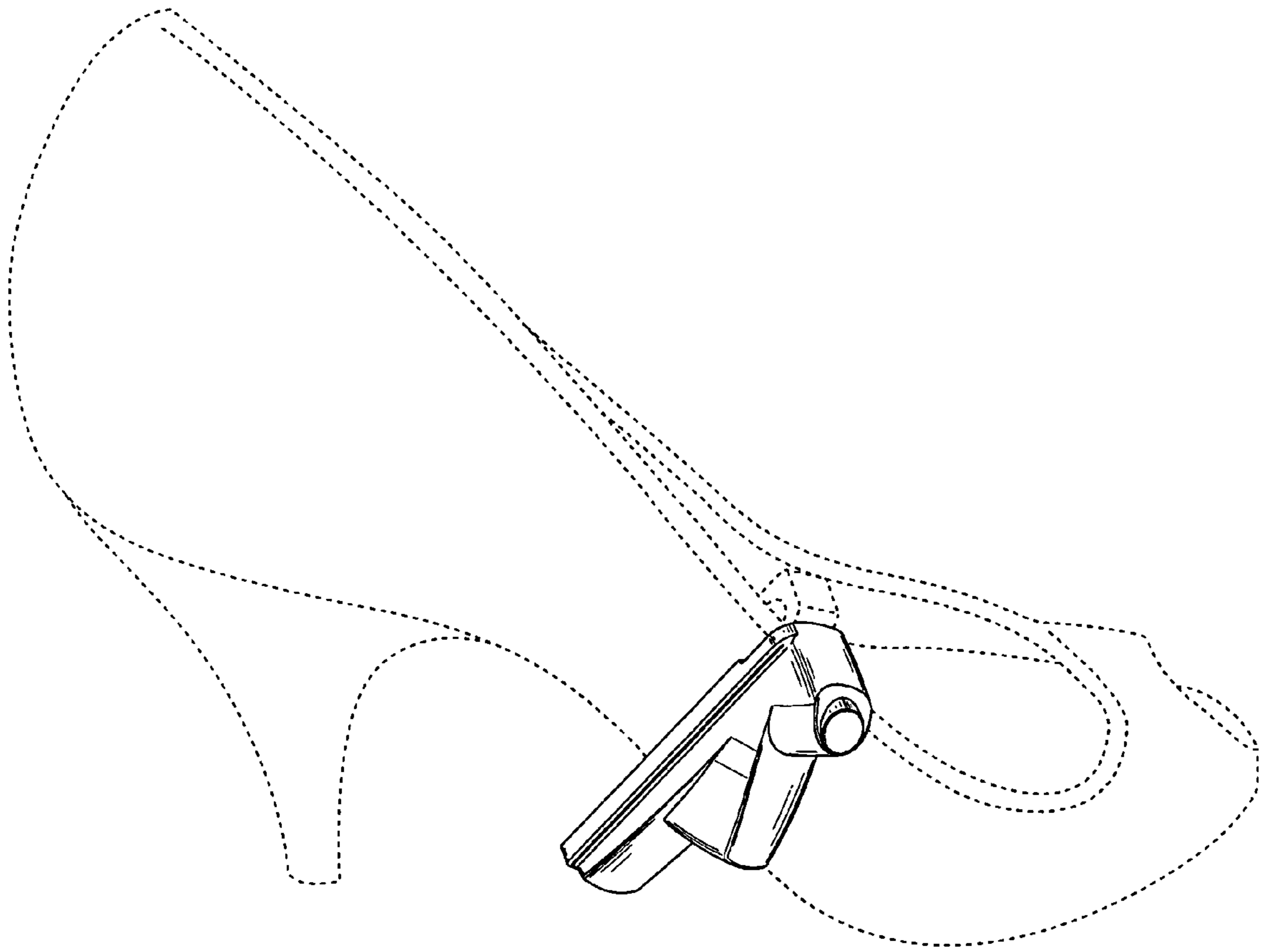


FIG. 8