



US00D609124S

(12) **United States Design Patent**
Ishii et al.

(10) **Patent No.:** **US D609,124 S**
(45) **Date of Patent:** **** Feb. 2, 2010**

(54) **ROTATING LASER**

(74) *Attorney, Agent, or Firm*—Jacobson Holman PLLC

(75) Inventors: **Mitsuo Ishii**, Itabashi-ku (JP); **Shinsuke Kaneko**, Itabashi-ku (JP)

(57) **CLAIM**

(73) Assignee: **Kabushiki Kaisha Topcon**, Tokyo (JP)

The ornamental design for a rotating laser, as shown and described.

(**) Term: **14 Years**

DESCRIPTION

(21) Appl. No.: **29/311,600**

The article is a rotating laser which a laser beam is scanned in the predetermined plane by rotation of a prism, a reflector or the like so that a standard plane is presented by the scanning rotating laser beam. A body of the rotating laser has an operating section, a cap of battery box and a pair of grips on the side thereof. A bottom of the rotating laser has a tripod mounting screw at the center of the bottom. The body of the rotating laser has a laser projecting section which is mounted on a top of a rotating cylinder. The grips function to protect the operation section. Three legs are provided at a rear side so that the rotating laser can be used sideways. A guard roof of the rotation laser is openly mounted on the top of the body.

(22) Filed: **Apr. 28, 2009**

(51) **LOC (9) Cl.** **10-04**

(52) **U.S. Cl.** **D10/66; D10/69**

(58) **Field of Classification Search** D10/66, D10/69; 33/276, 277, 281, 285, 286, 290, 33/291–299, DIG. 21; 340/539, 825.36, 340/825.46, 825.49; 356/5.15, 4.01, 5.01, 356/4.05, 5.05–5.09, 5.12, 28.5, 345, 375, 356/3.01, 128–155, 399–400; 385/83, 97–99, 385/134–139; 701/211–213, 150, 158; 264/1.24–1.25
See application file for complete search history.

FIG. 1 is a front, upper and right perspective view of the rotating laser, according to my novel design;

(56) **References Cited**

FIG. 2 is a rear, upper and right perspective view of the rotating laser of FIG. 1;

U.S. PATENT DOCUMENTS

D470,424 S *	2/2003	Hand et al.	D10/69
D527,293 S *	8/2006	Ishii	D10/66
D561,621 S *	2/2008	Ishii et al.	D10/66
D564,922 S *	3/2008	Ishii	D10/66
7,392,592 B2 *	7/2008	Bublitz et al.	33/290
D587,149 S *	2/2009	Ishii et al.	D10/69

FIG. 3 is a front view of the rotating laser of FIG. 1;

FIG. 4 is a rear view of the rotating laser of FIG. 1;

FIG. 5 is a left side view of the rotating laser of FIG. 1;

FIG. 6 is a right side view of the rotating laser of FIG. 1;

FIG. 7 is a top plan view of the rotating laser of FIG. 1; and,

FIG. 8 is a bottom view of the rotating laser of FIG. 1.

* cited by examiner

Primary Examiner—Antoine D Davis

1 Claim, 7 Drawing Sheets

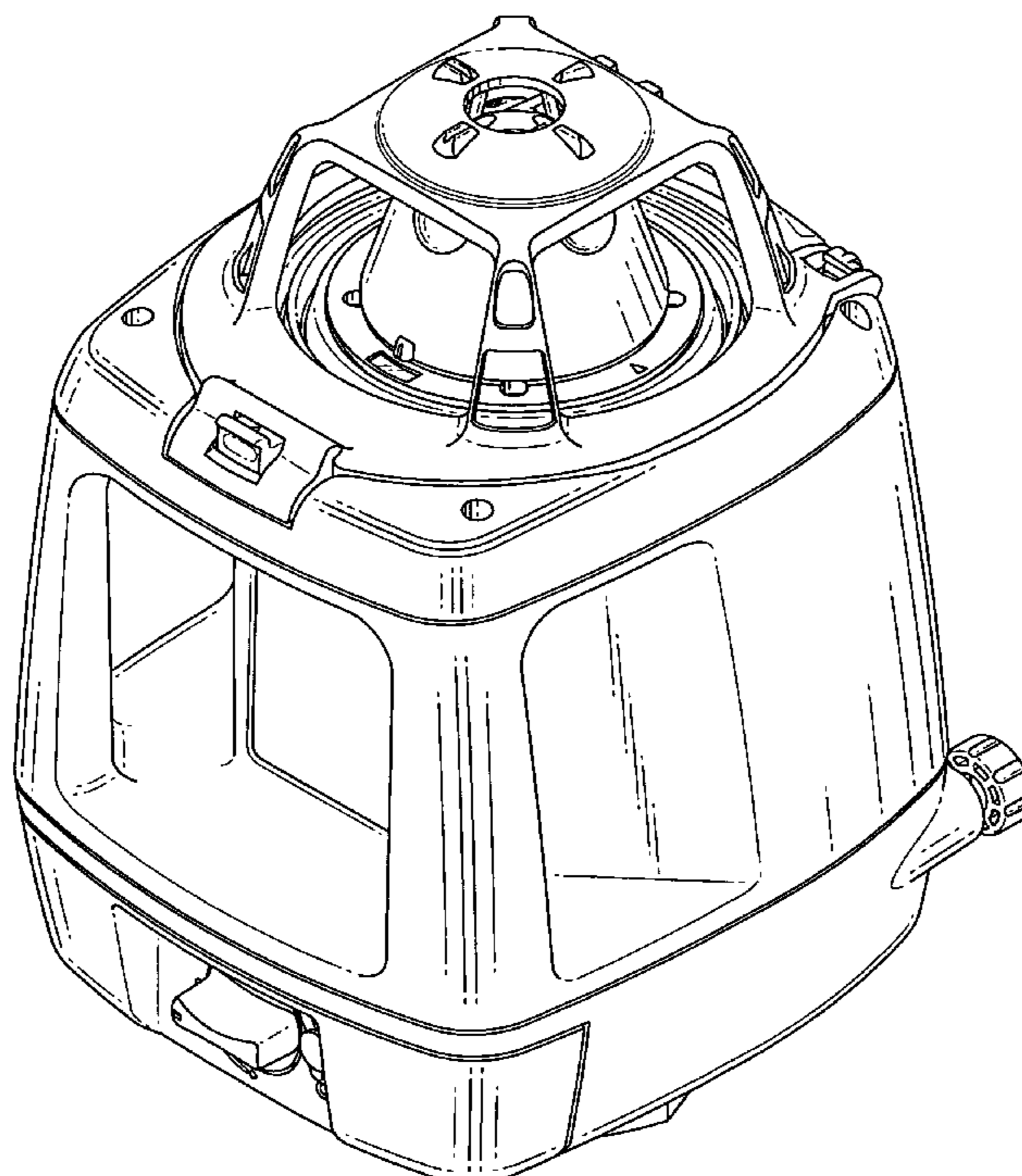


FIG.1

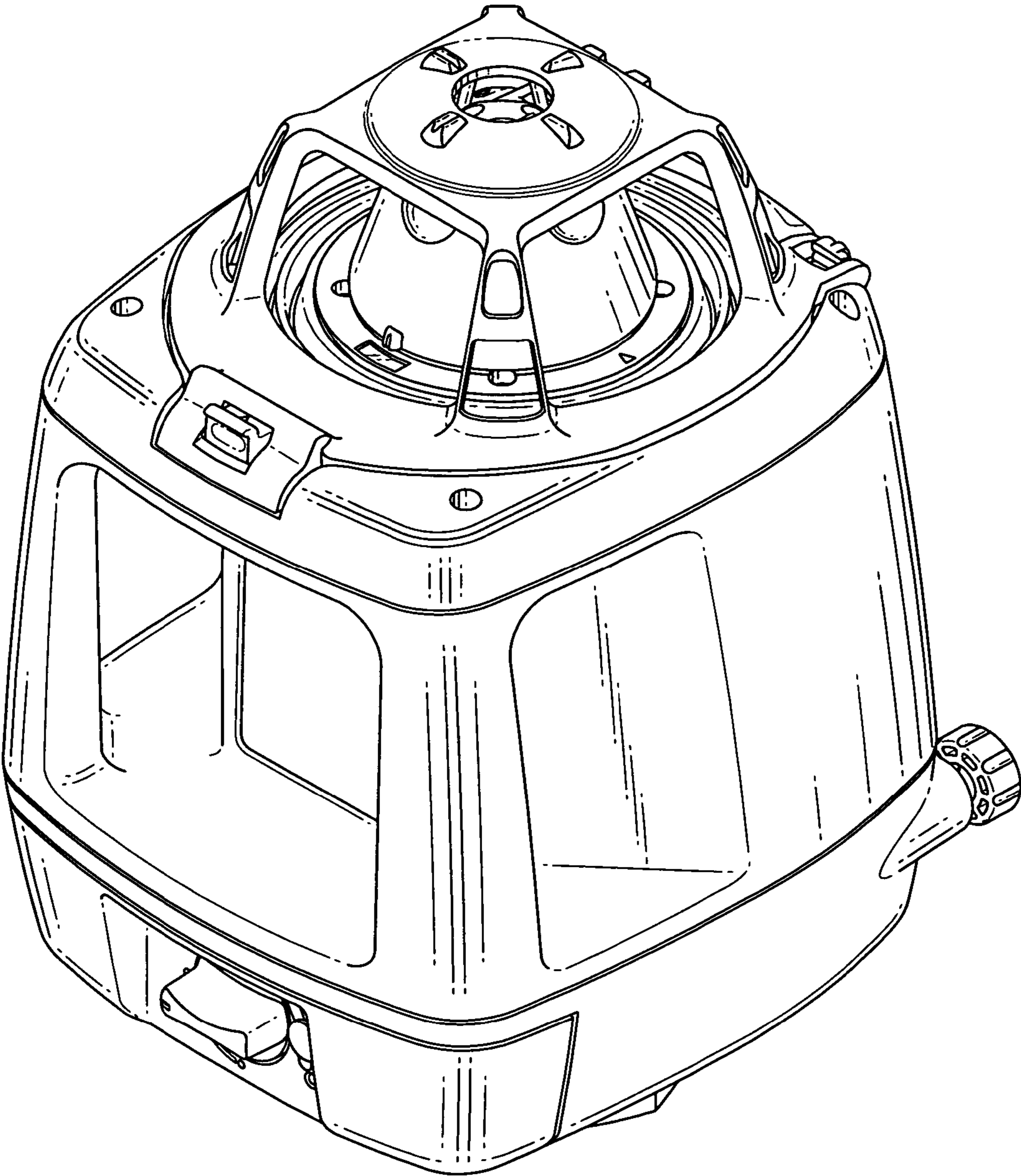


FIG.2

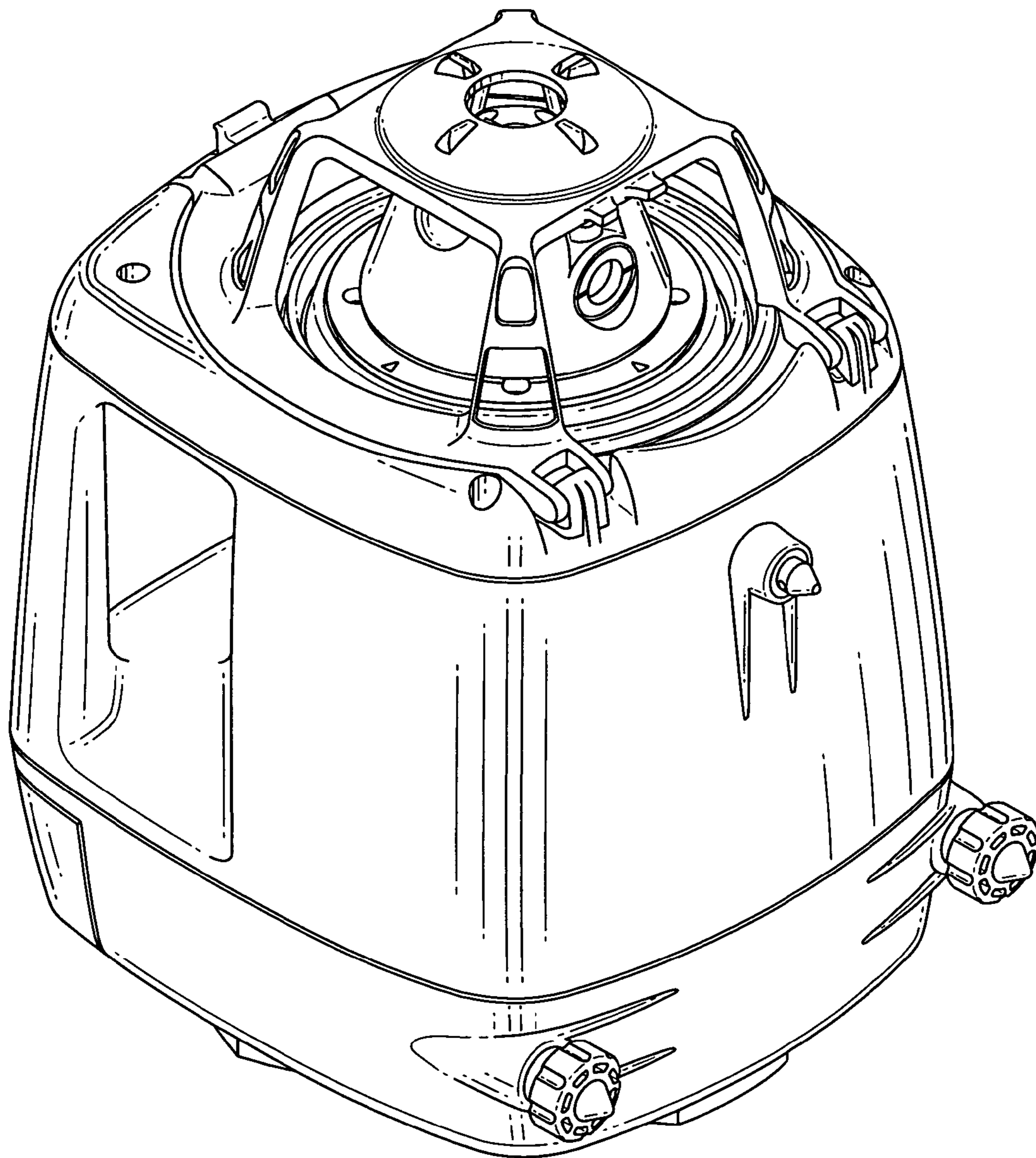


FIG.3

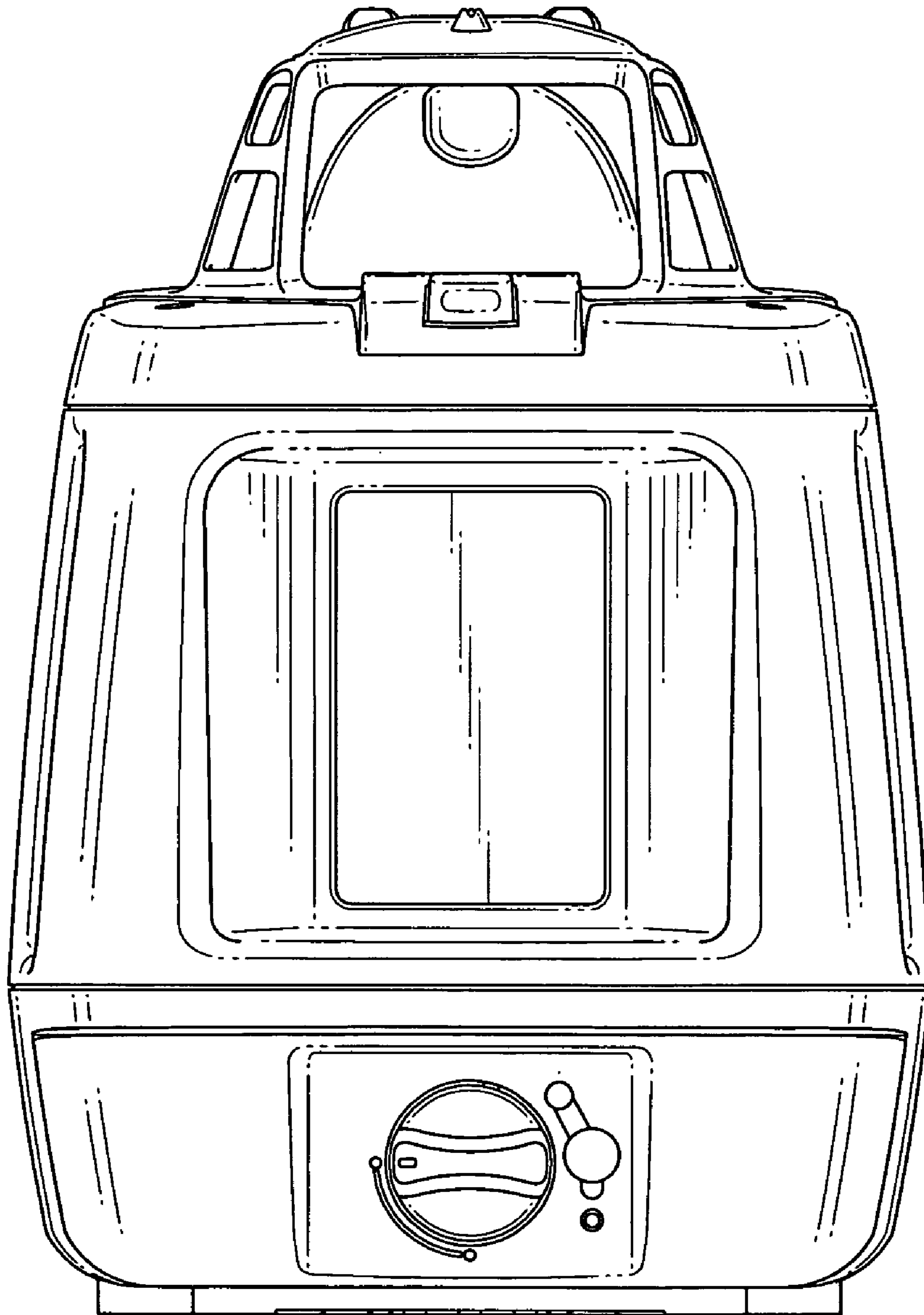


FIG.4

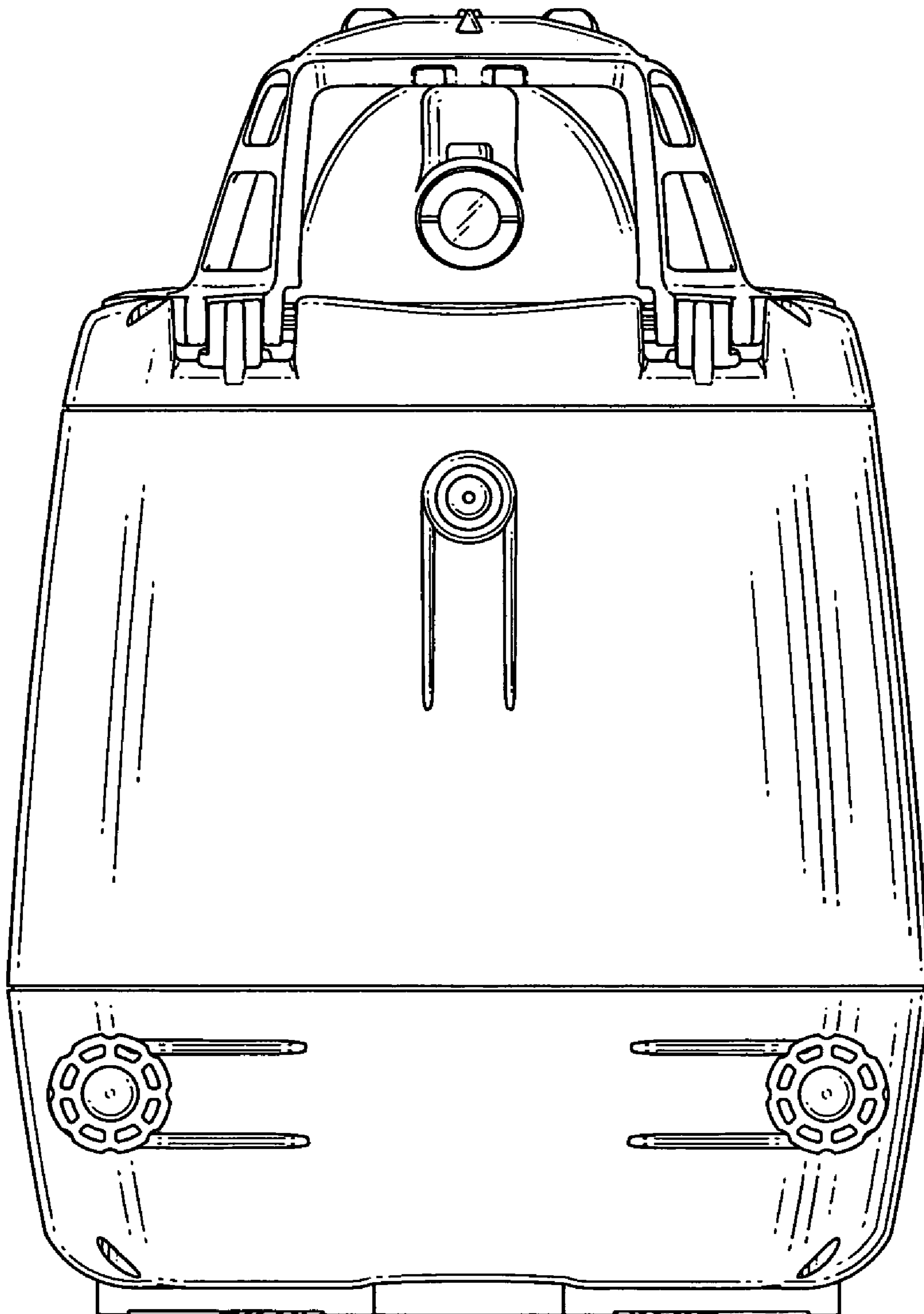


FIG.5

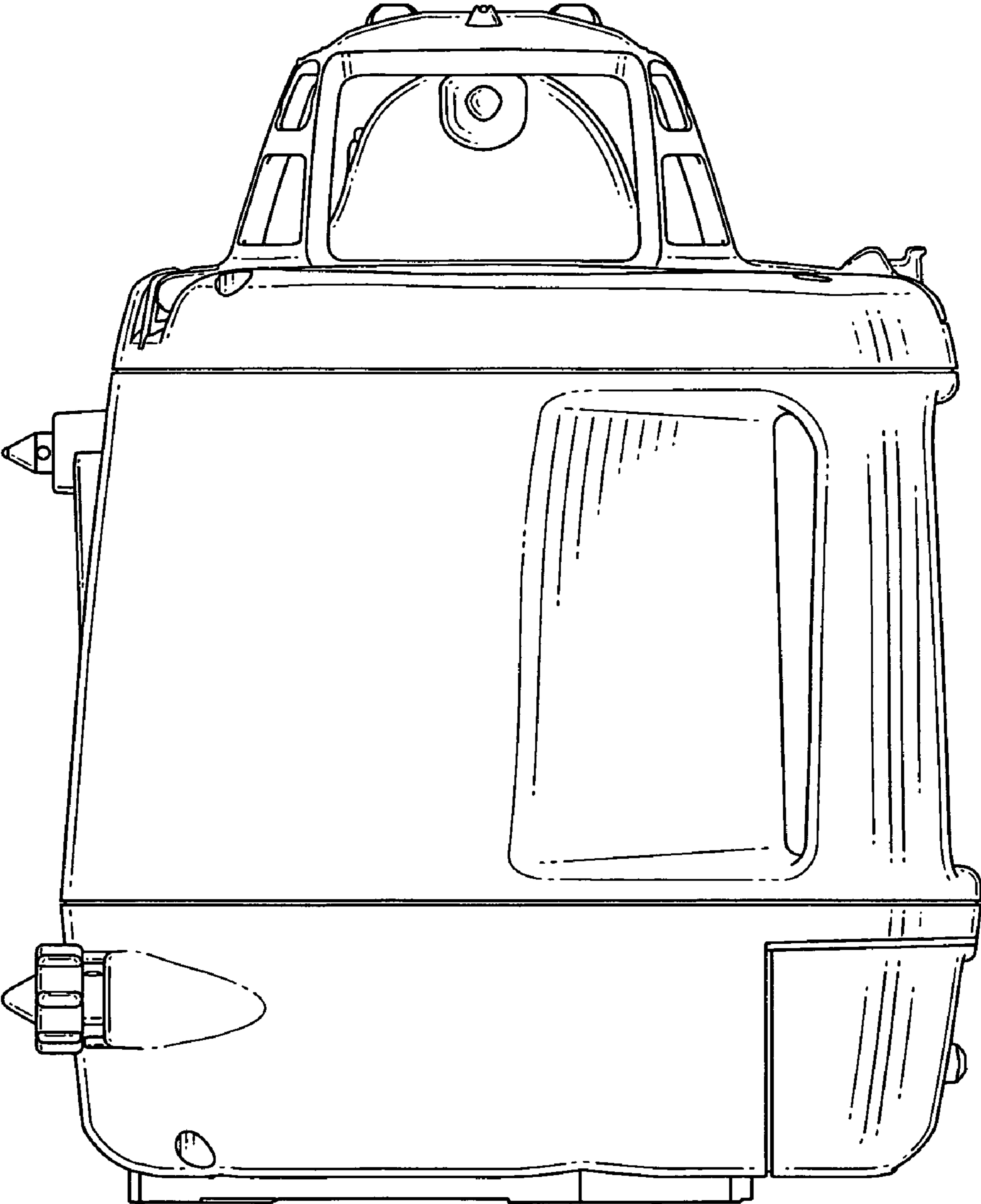


FIG.6

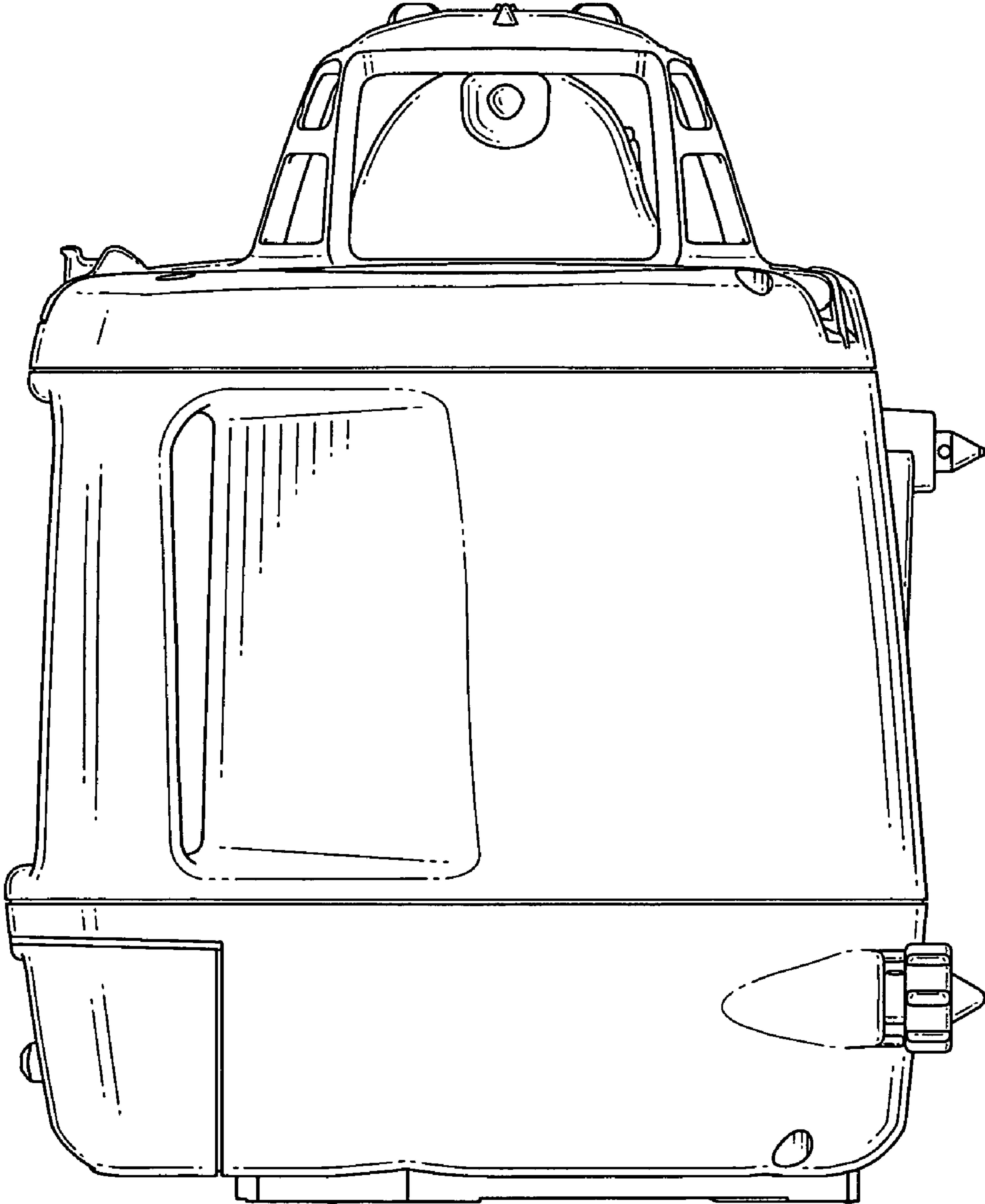


FIG.7

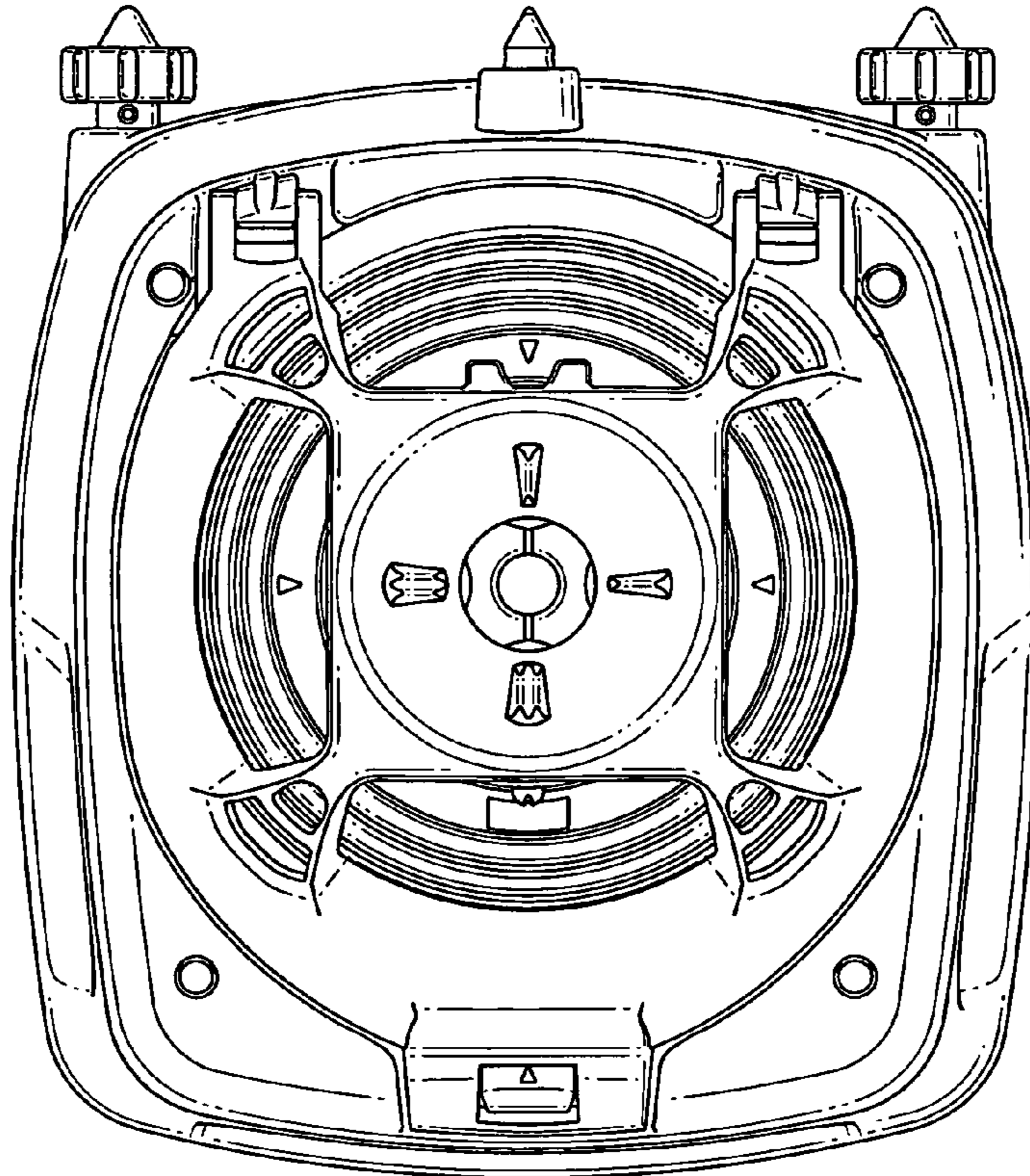


FIG.8

