



US00D609123S

(12) **United States Design Patent**  
**Pace**

(10) **Patent No.:** **US D609,123 S**

(45) **Date of Patent:** **\*\* Feb. 2, 2010**

(54) **GOLF GREEN SLOPE INDICATOR**

(75) Inventor: **Tom Pace**, Draper, UT (US)

(73) Assignee: **220 An S Corp**, South Jordan, UT (US)

(\*\*) Term: **14 Years**

(21) Appl. No.: **29/330,667**

(22) Filed: **Jan. 12, 2009**

(51) **LOC (9) Cl.** ..... **10-04**

(52) **U.S. Cl.** ..... **D10/65**

(58) **Field of Classification Search** ..... D10/65;  
33/377, 397; 473/404, 406

See application file for complete search history.

(56) **References Cited**

U.S. PATENT DOCUMENTS

5,476,258	A	12/1995	Frisone	
5,582,554	A	12/1996	Stryczek	
5,749,152	A	5/1998	Goss et al.	
5,865,689	A	2/1999	Heyman	
6,095,933	A	8/2000	Smith	
6,386,994	B1	5/2002	H'Doubler et al.	
D575,649	S *	8/2008	Scalisi et al.	D10/65
2002/0115506	A1	8/2002	Kim	
2008/0274837	A1 *	11/2008	Li	473/404

OTHER PUBLICATIONS

www.eez-read.com, EEZ-READ The new revolutionary putting aid, 1 page, accessed Jan. 9, 2009.

\* cited by examiner

*Primary Examiner*—Antoine D Davis

(74) *Attorney, Agent, or Firm*—Thorpe North & Western LLP

(57) **CLAIM**

The ornamental design for a golf green slope indicator, as shown and described.

**DESCRIPTION**

FIG. 1 is an elevated, perspective view of the golf green slope indicator in accordance with my invention;

FIG. 2 is a top view thereof;

FIG. 3 is a bottom view thereof;

FIG. 4 is a left side view thereof;

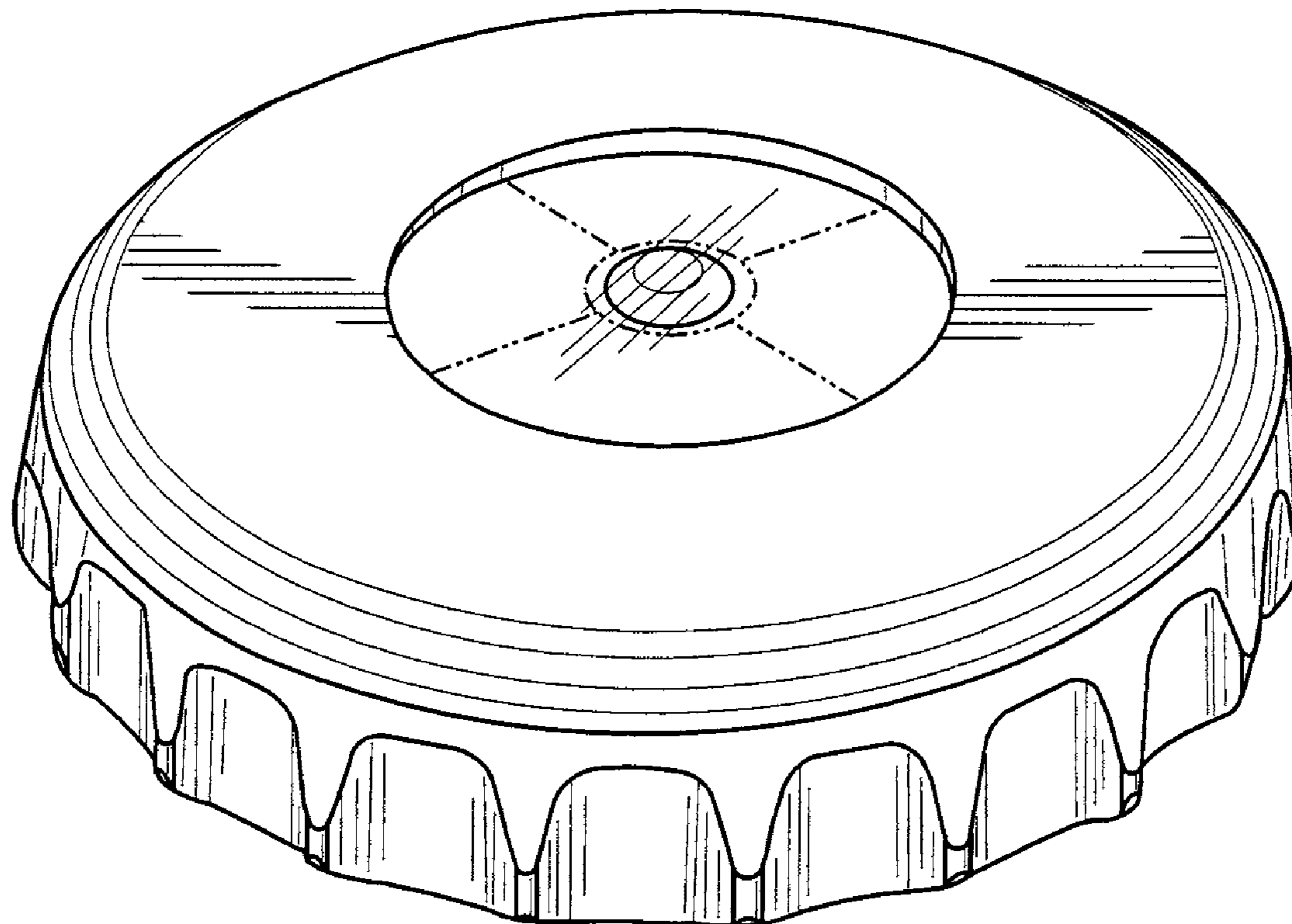
FIG. 5 is a right side view thereof;

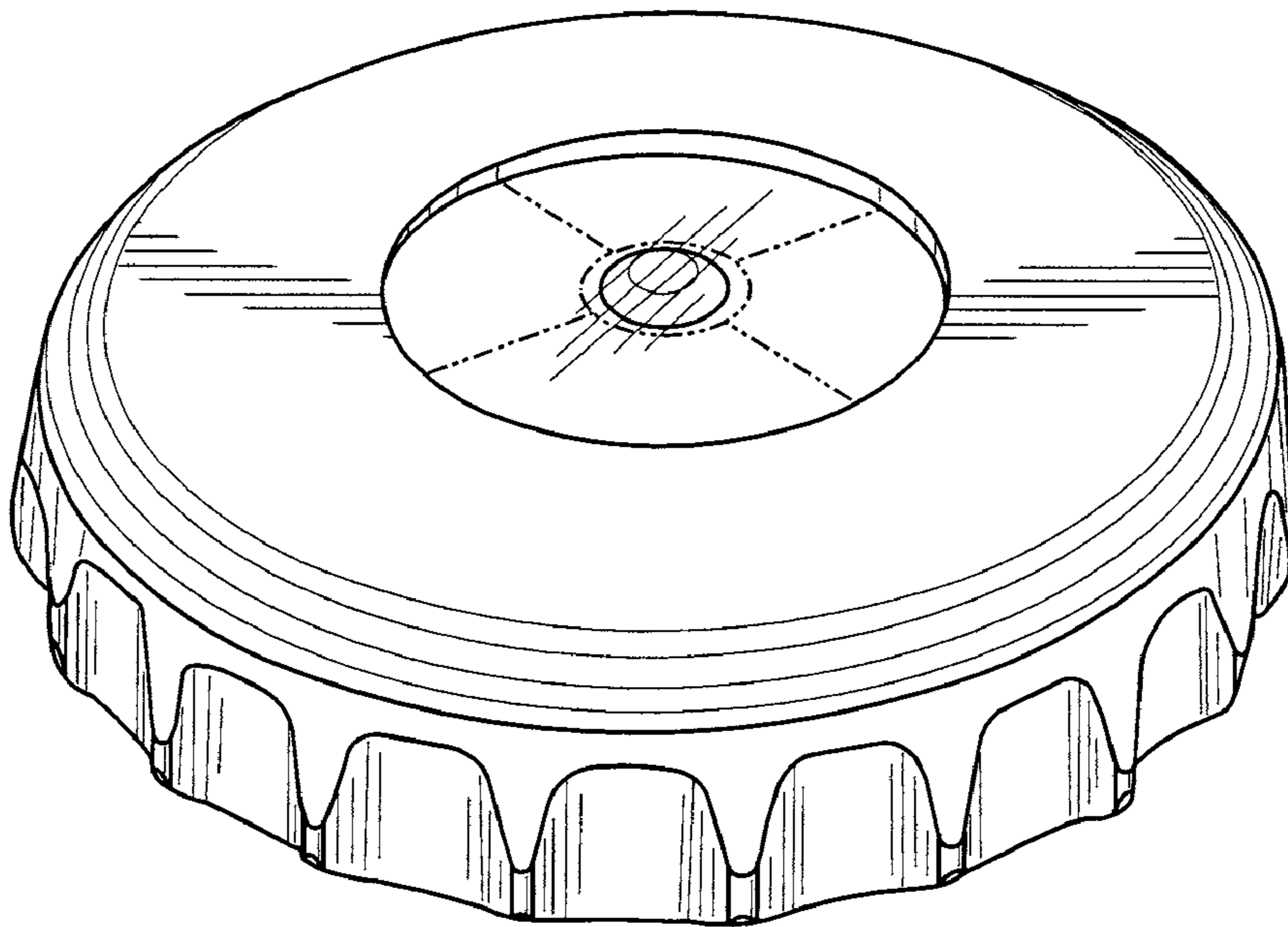
FIG. 6 is a front view thereof; and,

FIG. 7 is a back view thereof.

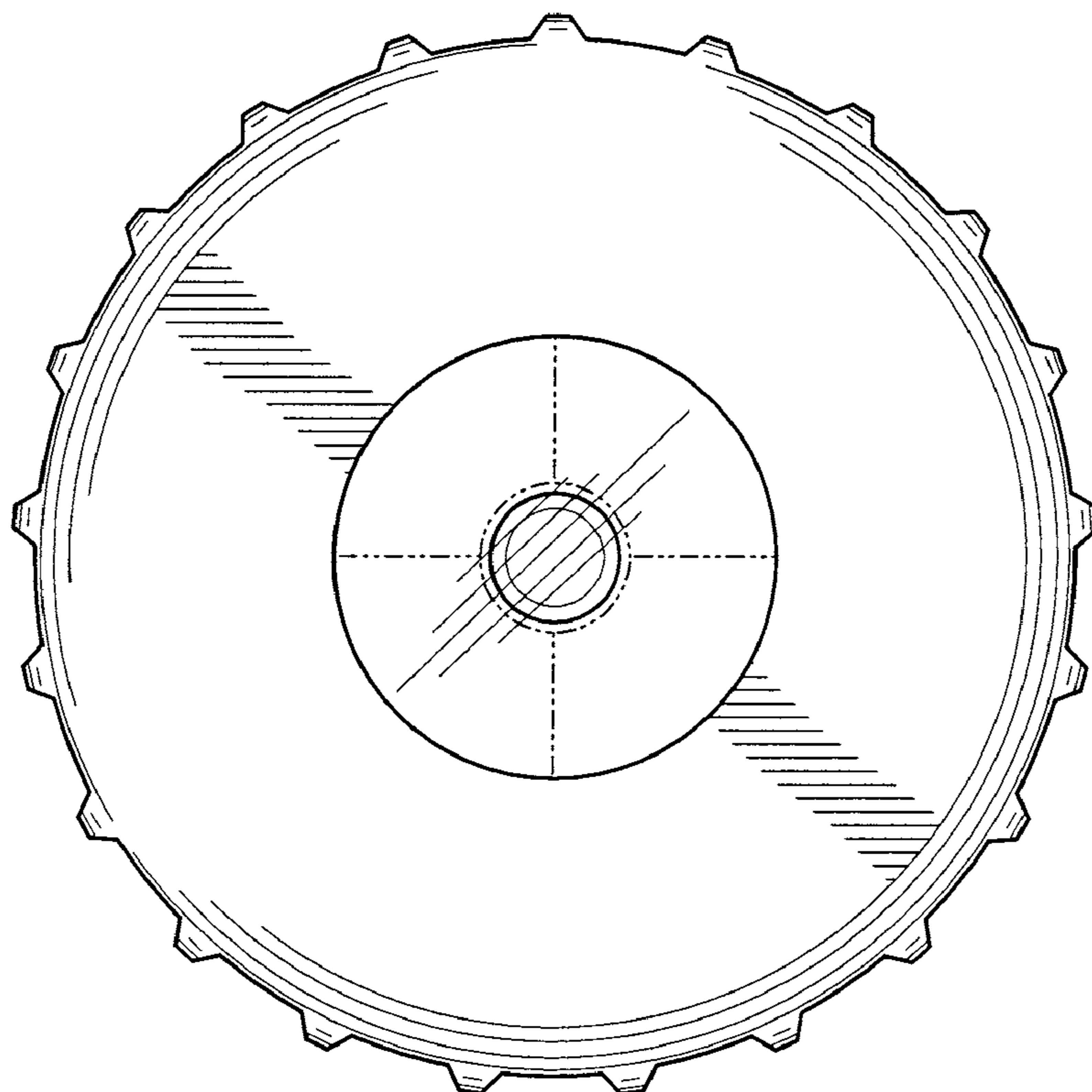
The broken lines shown in FIGS. 1–3 are for illustrative purposes only and form no part of the claimed design.

**1 Claim, 3 Drawing Sheets**

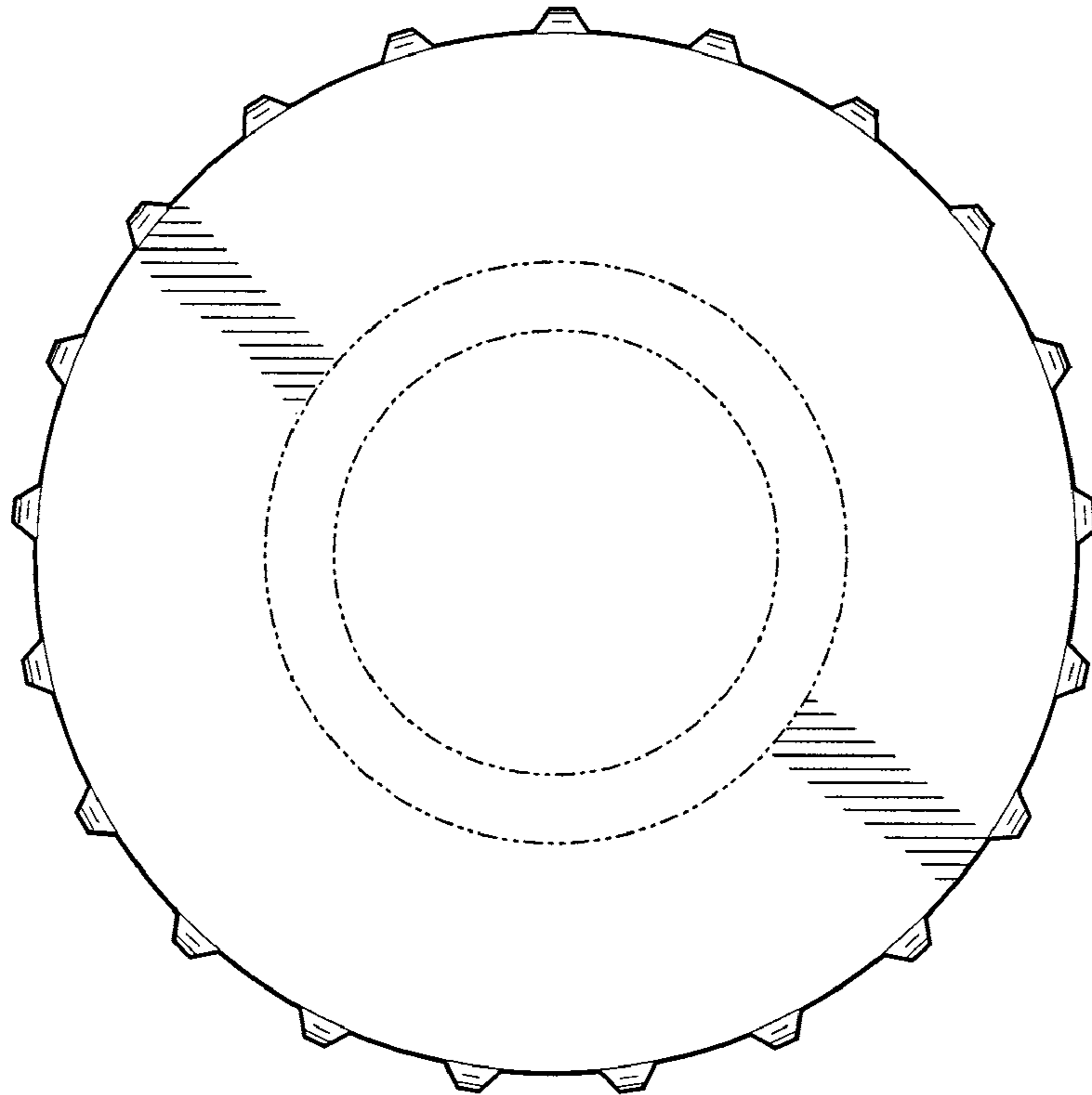




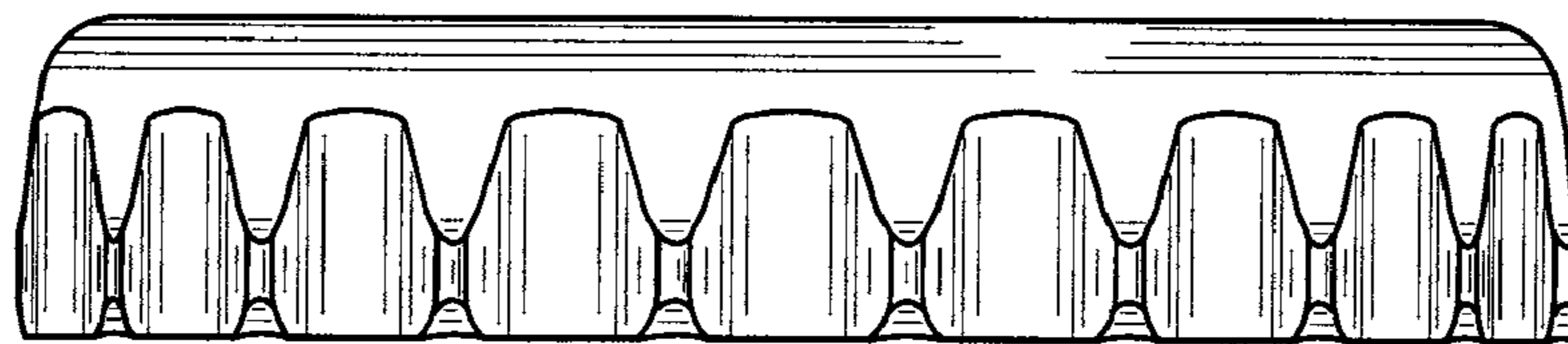
**FIG. 1**



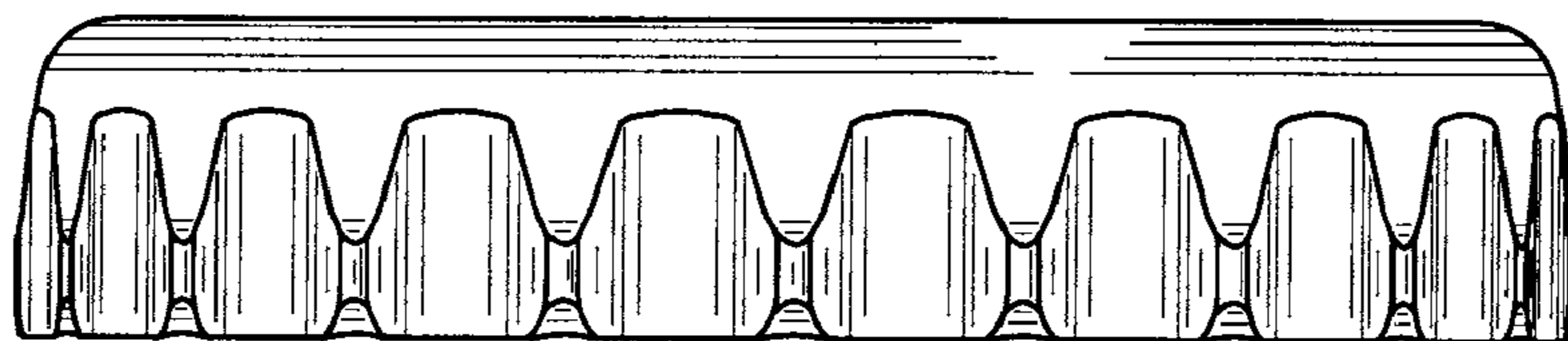
**FIG. 2**



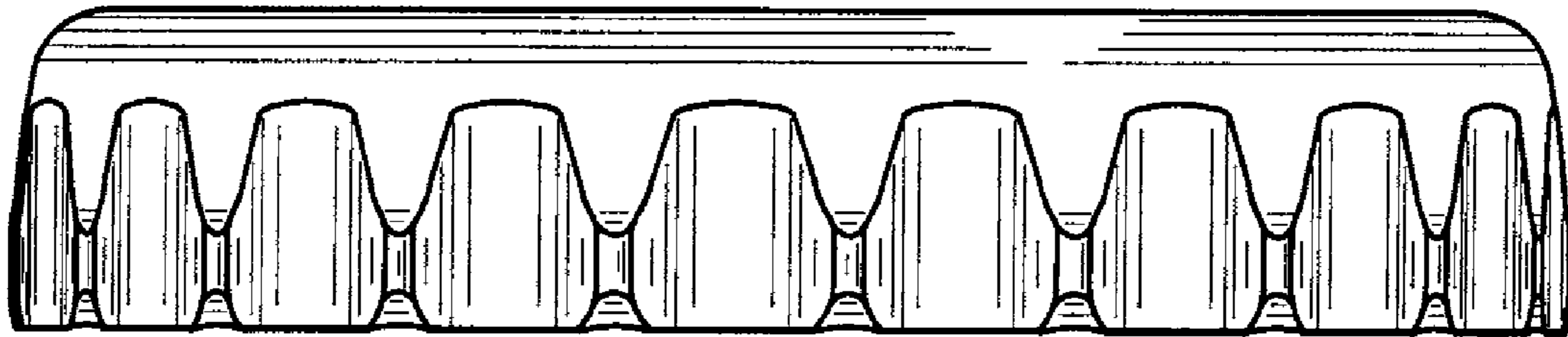
**FIG. 3**



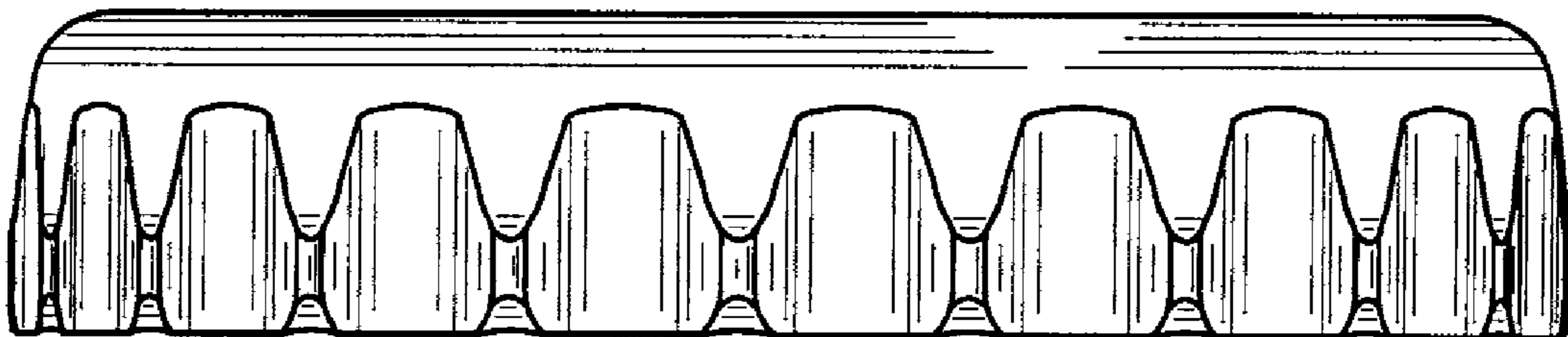
**FIG. 4**



**FIG. 5**



**FIG. 6**



**FIG. 7**