

US00D609117S

(12) **United States Design Patent**
Kim

(10) **Patent No.:** **US D609,117 S**

(45) **Date of Patent:** **** Feb. 2, 2010**

(54) **TIES ARRANGED IN A BOX**

D590,724 S 4/2009 Kim

(75) Inventor: **Cin Kim**, Alpine, NJ (US)

* cited by examiner

(73) Assignee: **Peacock Apparel Group, Inc.**, New York, NY (US)

Primary Examiner—Stella M Reid

Assistant Examiner—Shanda C Hill

(74) *Attorney, Agent, or Firm*—Leason Ellis LLP

(**) Term: **14 Years**

(57) **CLAIM**

(21) Appl. No.: **29/333,797**

The ornamental design for ties arranged in a box, as shown and described.

(22) Filed: **Mar. 16, 2009**

(51) **LOC (9) Cl.** **09-01**

(52) **U.S. Cl.** **D9/721**

(58) **Field of Classification Search** D9/414,
D9/415, 418, 423, 430, 715, 721; D2/600,
D2/602, 605–607; D6/300; 2/137–139,
2/144–157; 229/87.15, 125.08, 136, 160,
229/161, 240, 275, 863, 864

See application file for complete search history.

DESCRIPTION

FIG. 1 is a top, front, and side perspective view of a first embodiment of ties arranged in a box showing my new design;

FIG. 2 is a top plan view thereof;

FIG. 3 is a front elevation view thereof, the rear view being a mirror image thereof;

FIG. 4 is a bottom plan thereof;

FIG. 5 is a right side elevation view, the left side elevation view being a mirror image thereof;

FIG. 6 is a top, front and side perspective view of the second embodiment of the ties arranged in a box, the front, rear, bottom and side views being the same as FIGS. 3, 4 and 5; and,

FIG. 7 is a top, front and side perspective view of the third embodiment of the ties arranged in a box, the front, rear, bottom and side views being the same as FIGS. 3, 4 and 5.

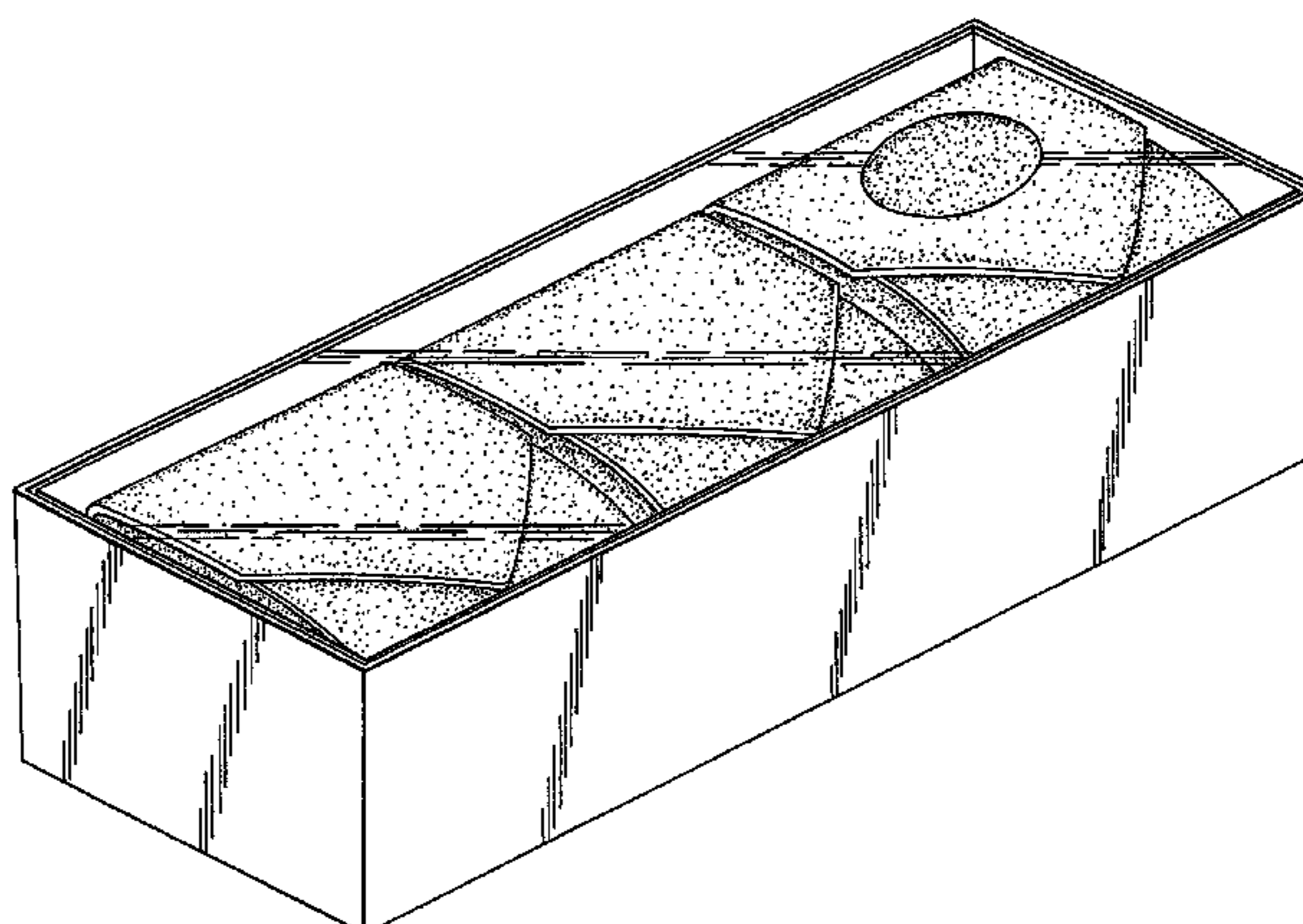
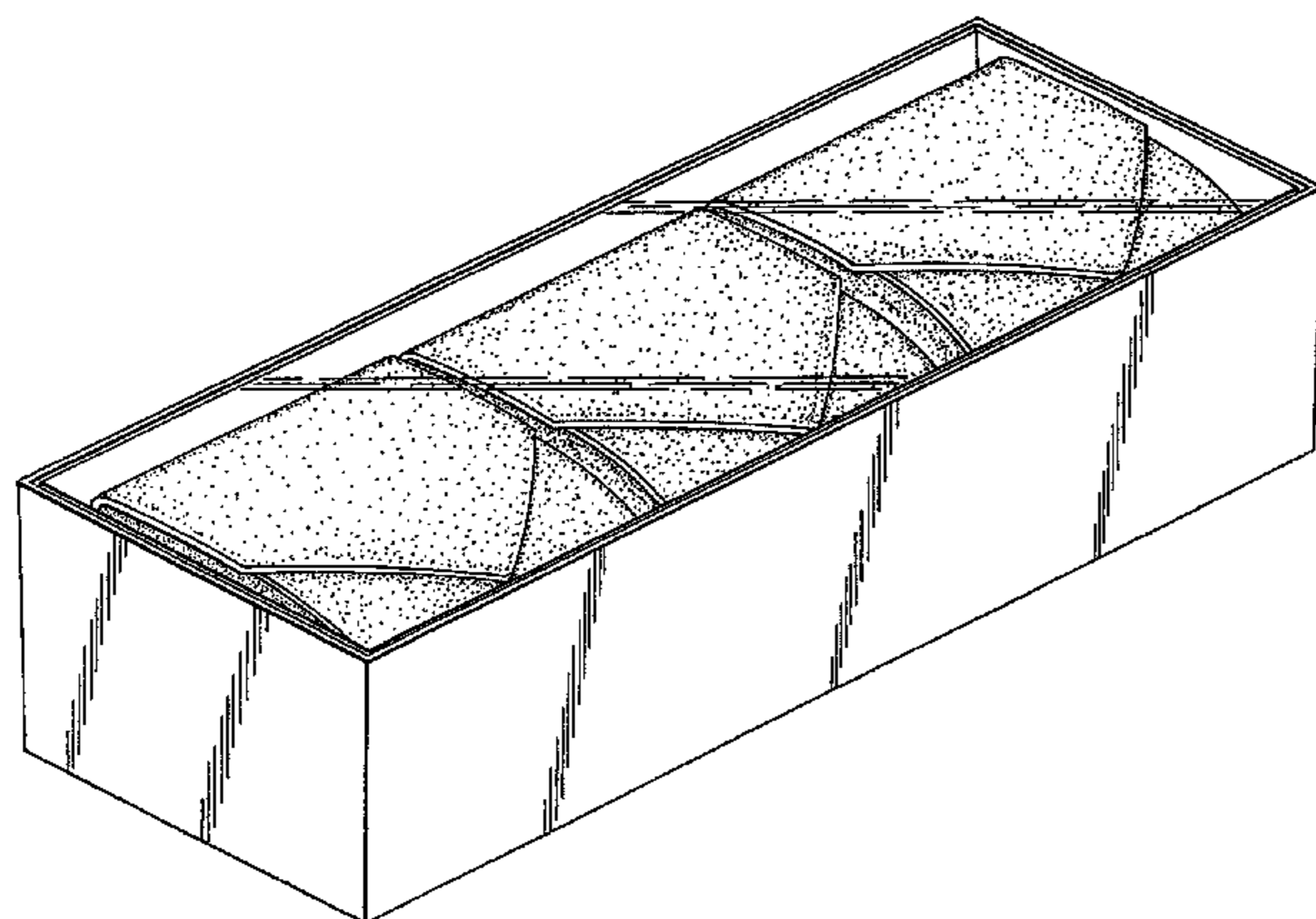
The broken lines shown in the drawing disclosure are for illustrative purposes only and form no part of the claimed design.

(56) **References Cited**

U.S. PATENT DOCUMENTS

1,324,740	A *	12/1919	Hendrix	2/148
1,949,851	A *	3/1934	Alper	2/150
2,943,331	A *	7/1960	Toplansky	2/150
4,173,792	A *	11/1979	Intengan	2/144
4,762,272	A *	8/1988	Herrin	229/125.08
D368,588	S *	4/1996	Goraleski et al.	D6/300
5,673,434	A *	10/1997	Risk	2/144
7,096,509	B2 *	8/2006	Kim	2/145
D546,674	S *	7/2007	Limber	D9/432
D553,495	S *	10/2007	Vandecasteele et al.	D9/432
D589,364	S	3/2009	Kim	
D589,365	S	3/2009	Kim	
D589,366	S	3/2009	Kim	
D589,367	S	3/2009	Kim	

1 Claim, 5 Drawing Sheets



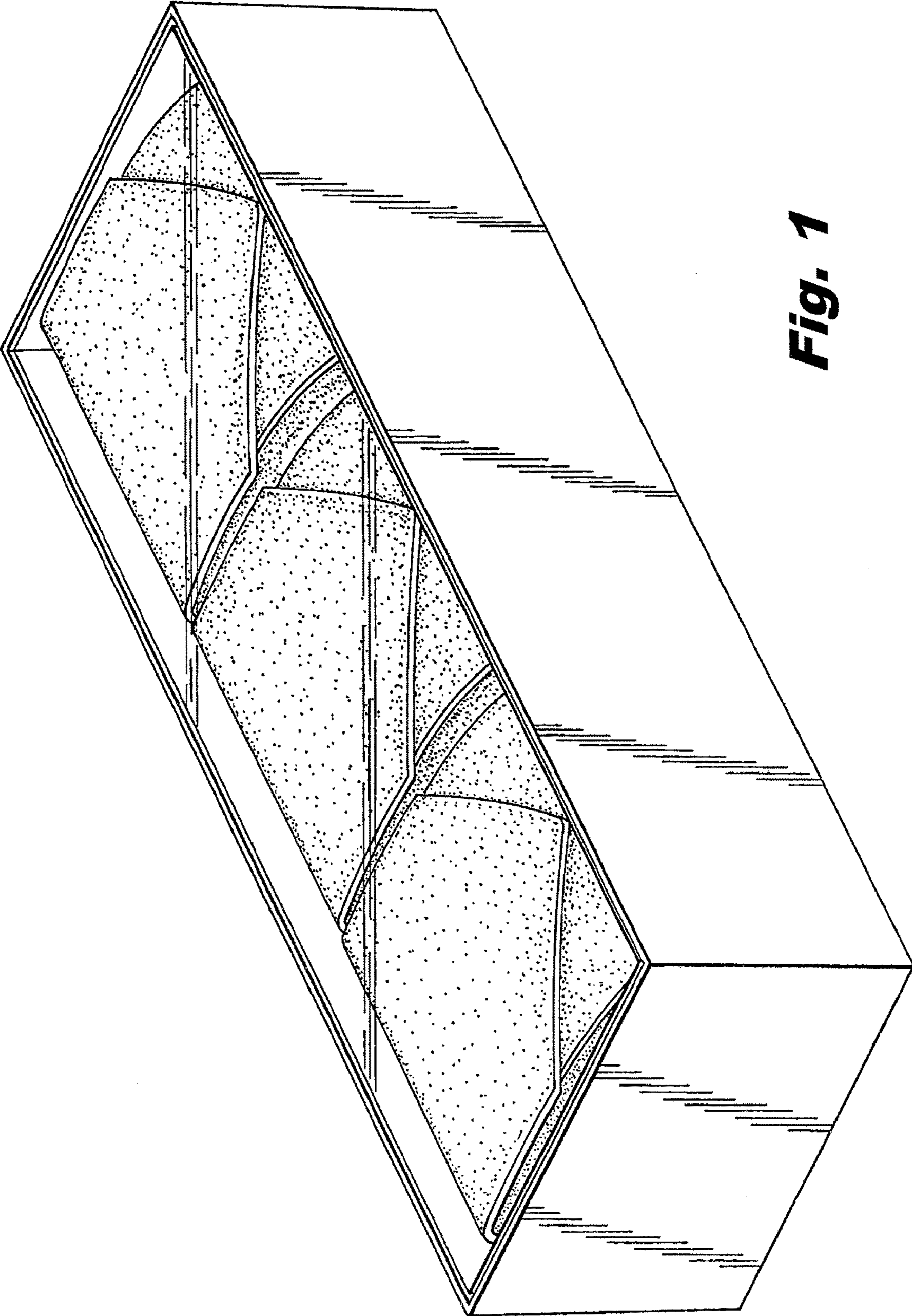


Fig. 1

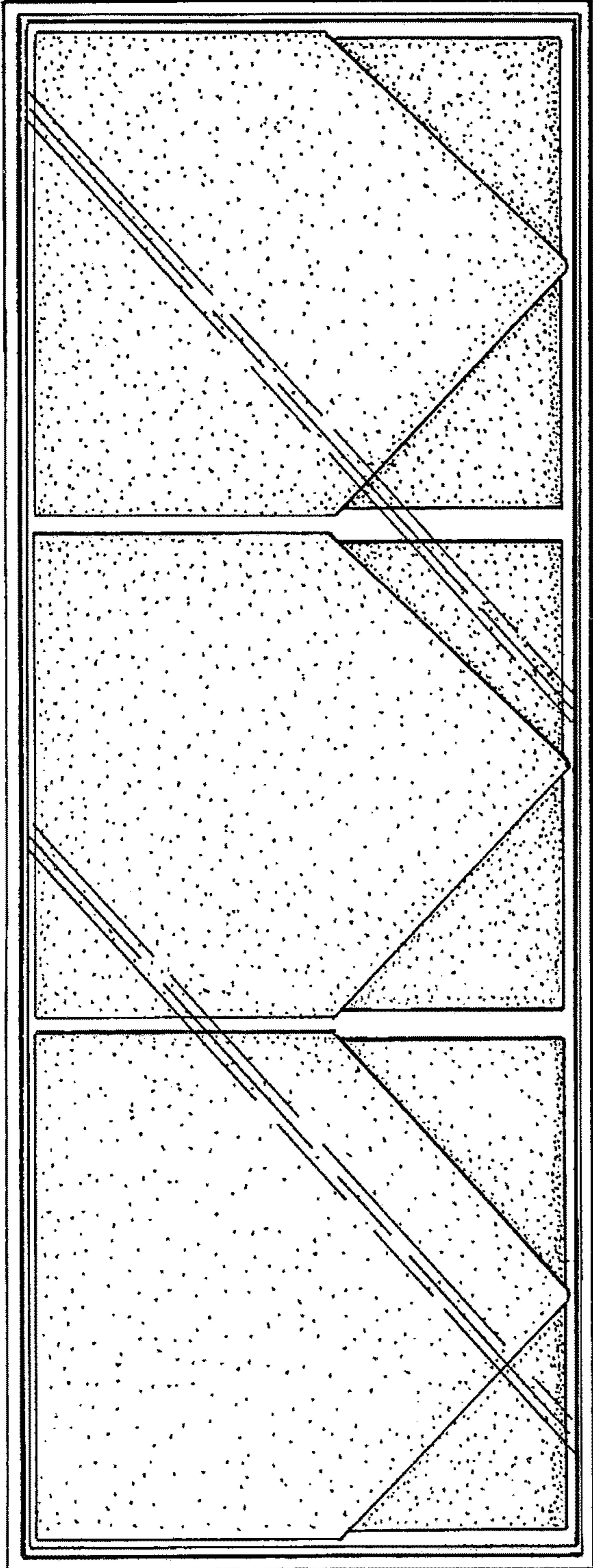


Fig. 2

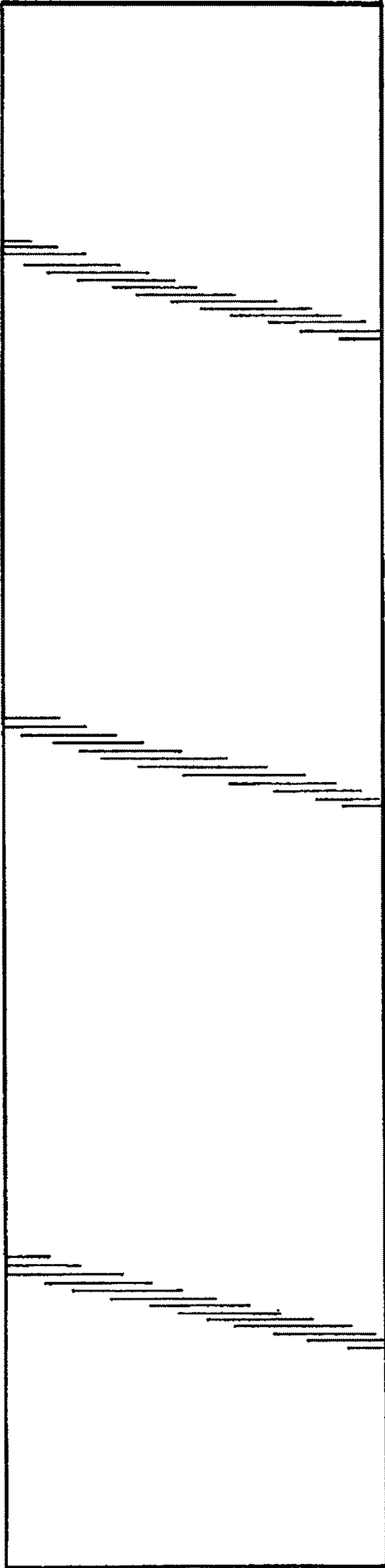


Fig. 3

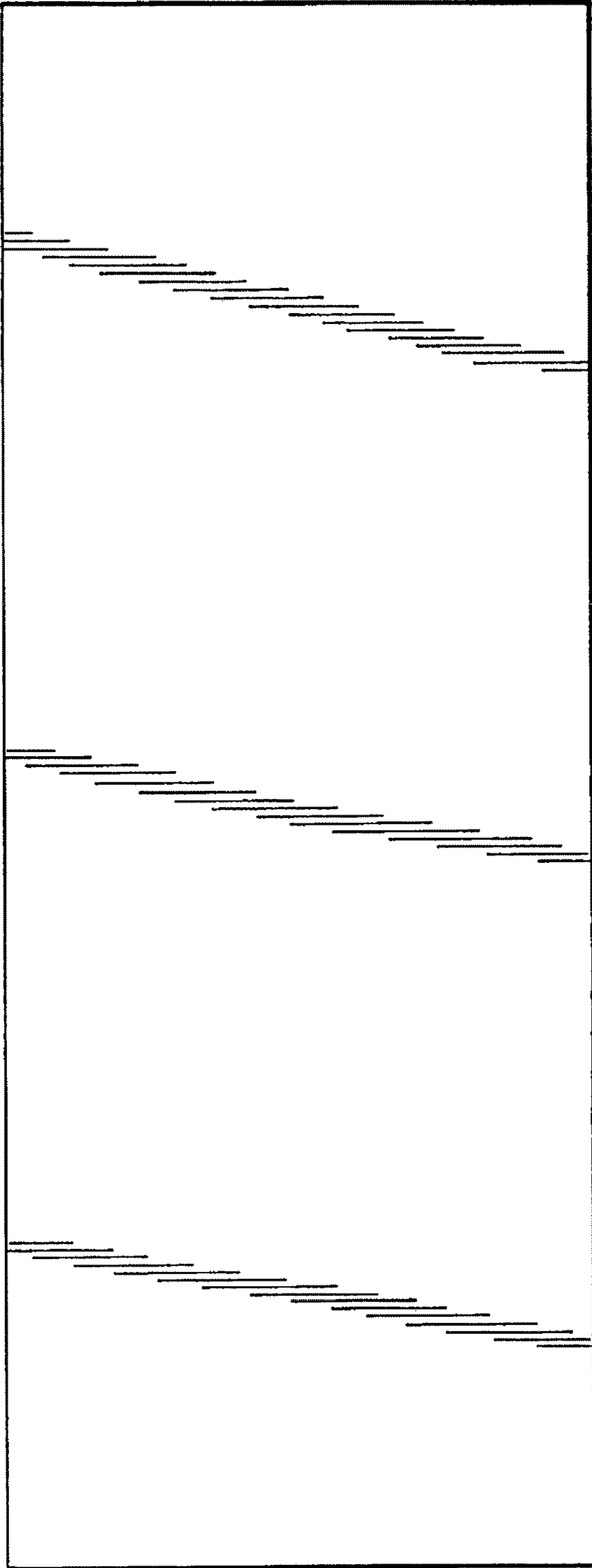


Fig. 4

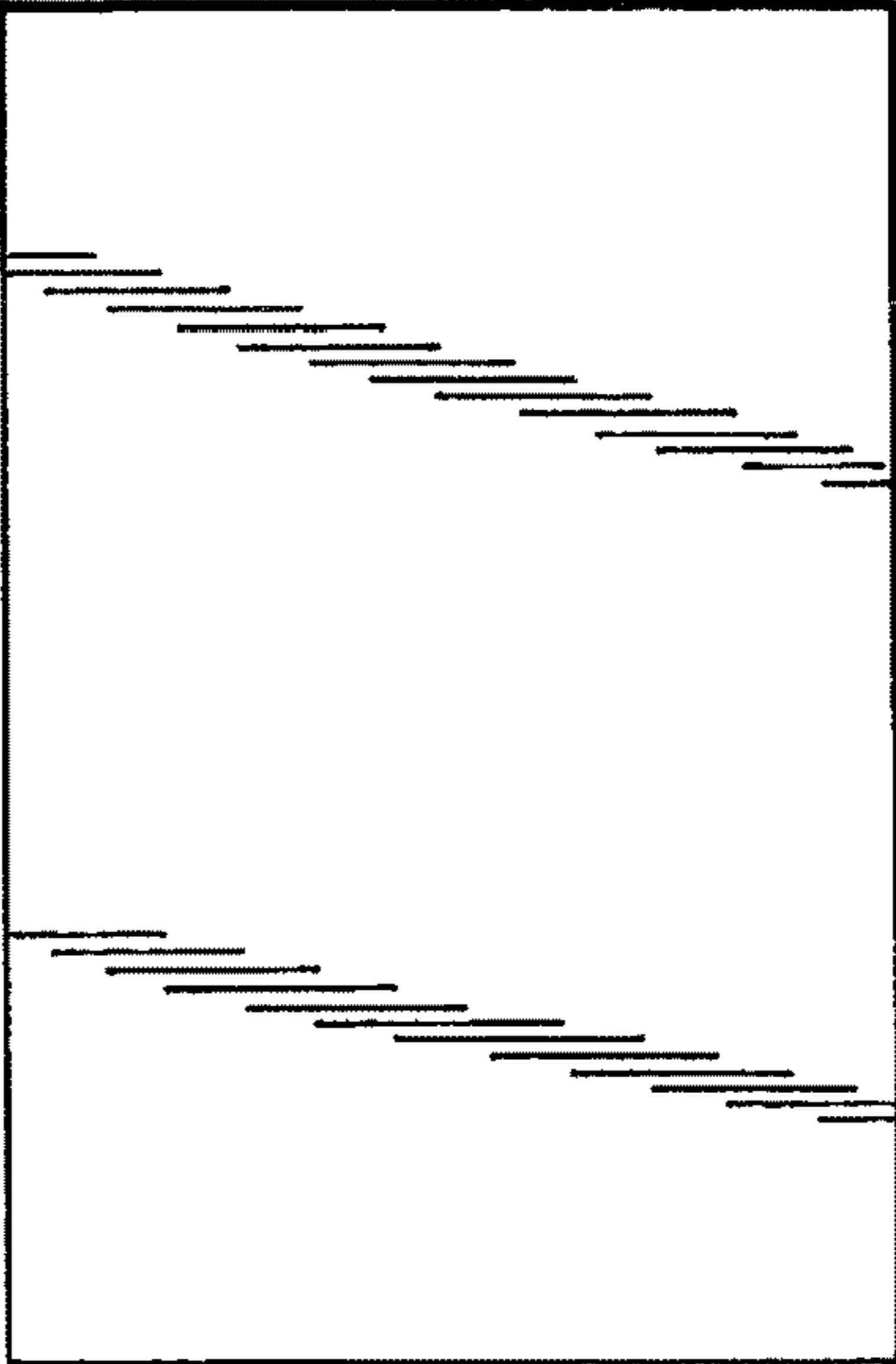


Fig. 5

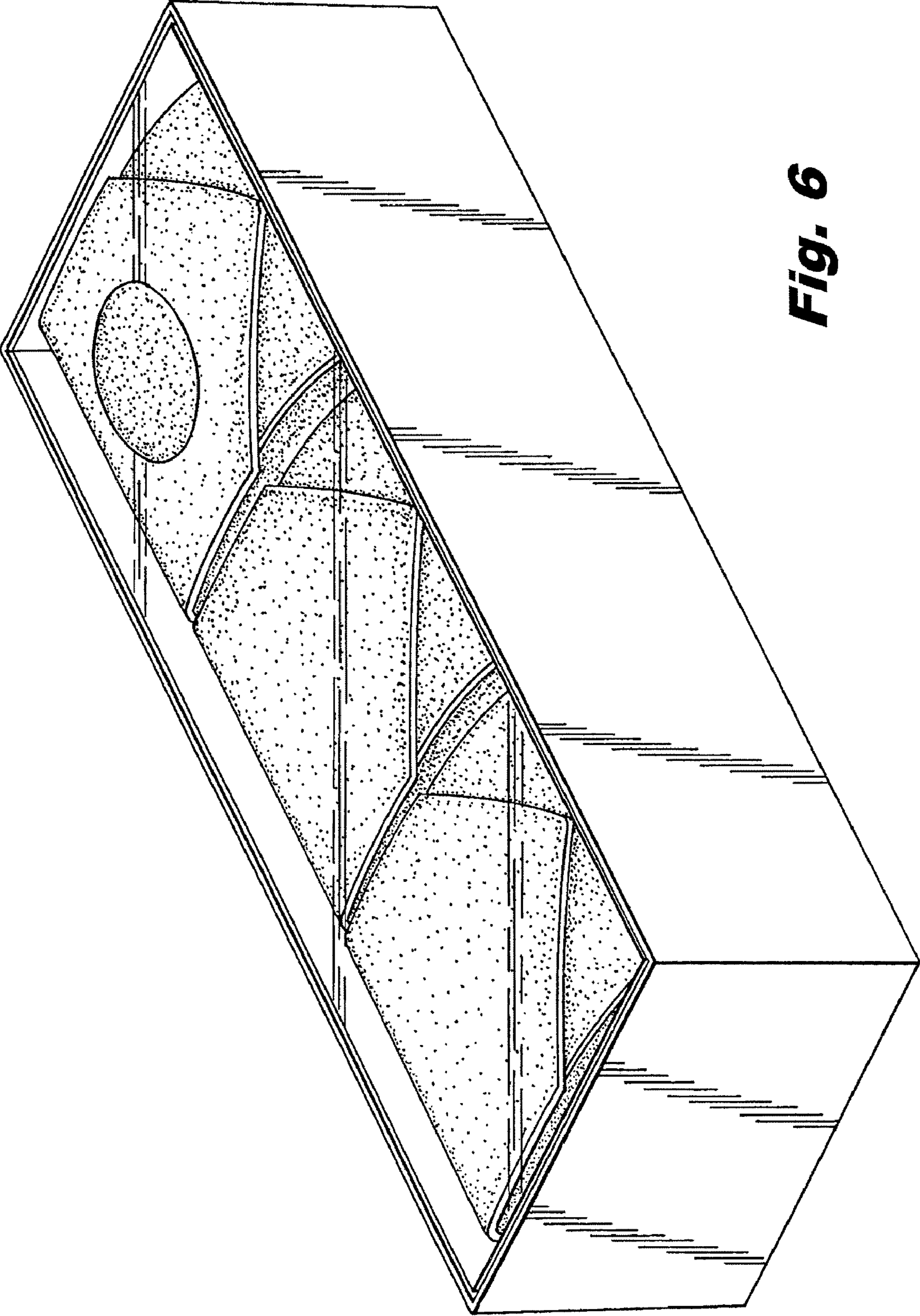


Fig. 6

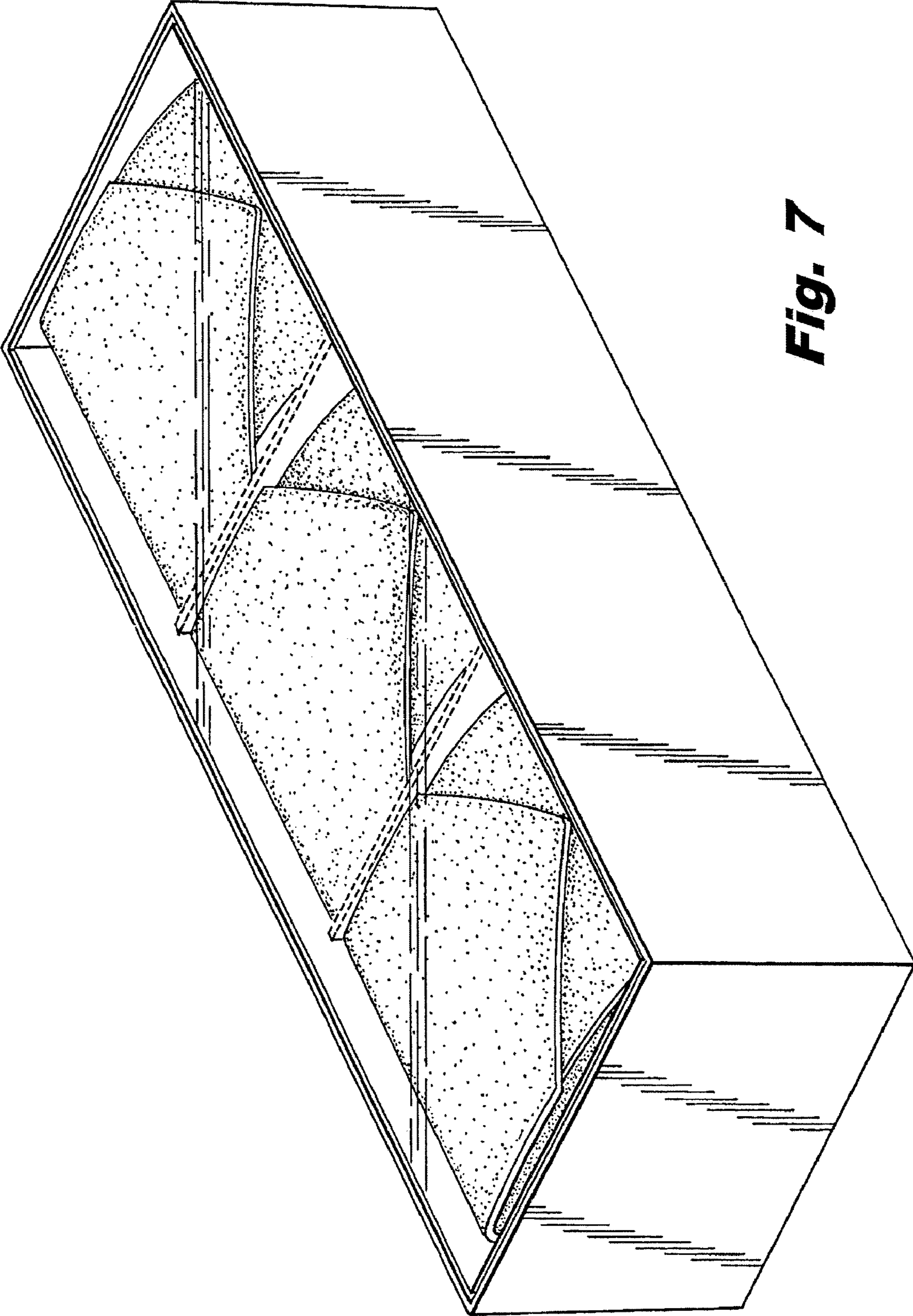


Fig. 7