



US00D609111S

(12) **United States Design Patent**
Bentley et al.

(10) **Patent No.:** **US D609,111 S**

(45) **Date of Patent:** **** Feb. 2, 2010**

(54) **FOOTBALL BOTTLE**

D371,934 S 7/1996 Cwirko
D372,639 S 8/1996 Kristinik

(75) Inventors: **Darrell Bentley**, Murphy, TX (US);
Janet Brookner, Allen, TX (US); **Blair C. Dugger**, Frisco, TX (US); **James D. Trollope**, Frisco, TX (US); **Kendall L. Yorn**, Allen, TX (US)

(Continued)

Primary Examiner—Sandra Morris
(74) *Attorney, Agent, or Firm*—Cox Smith Matthews Incorporated

(73) Assignee: **Dr Pepper/Seven Up, Inc.**, Plano, TX (US)

(**) Term: **14 Years**

(57) **CLAIM**

(21) Appl. No.: **29/328,618**

The ornamental design for a football bottle, as shown and described.

(22) Filed: **Nov. 26, 2008**

DESCRIPTION

(51) **LOC (9) Cl.** **09-01**
(52) **U.S. Cl.** **D9/668; D9/519**
(58) **Field of Classification Search** D21/600,
D21/668, 500–504, 516–517, 519–521, 544–546,
D21/548–551, 556–561; D3/270–271.1,
D3/271.9; 206/457, 822; 215/400; 220/890;
229/116.1–116.3; D7/514–515, 901
See application file for complete search history.

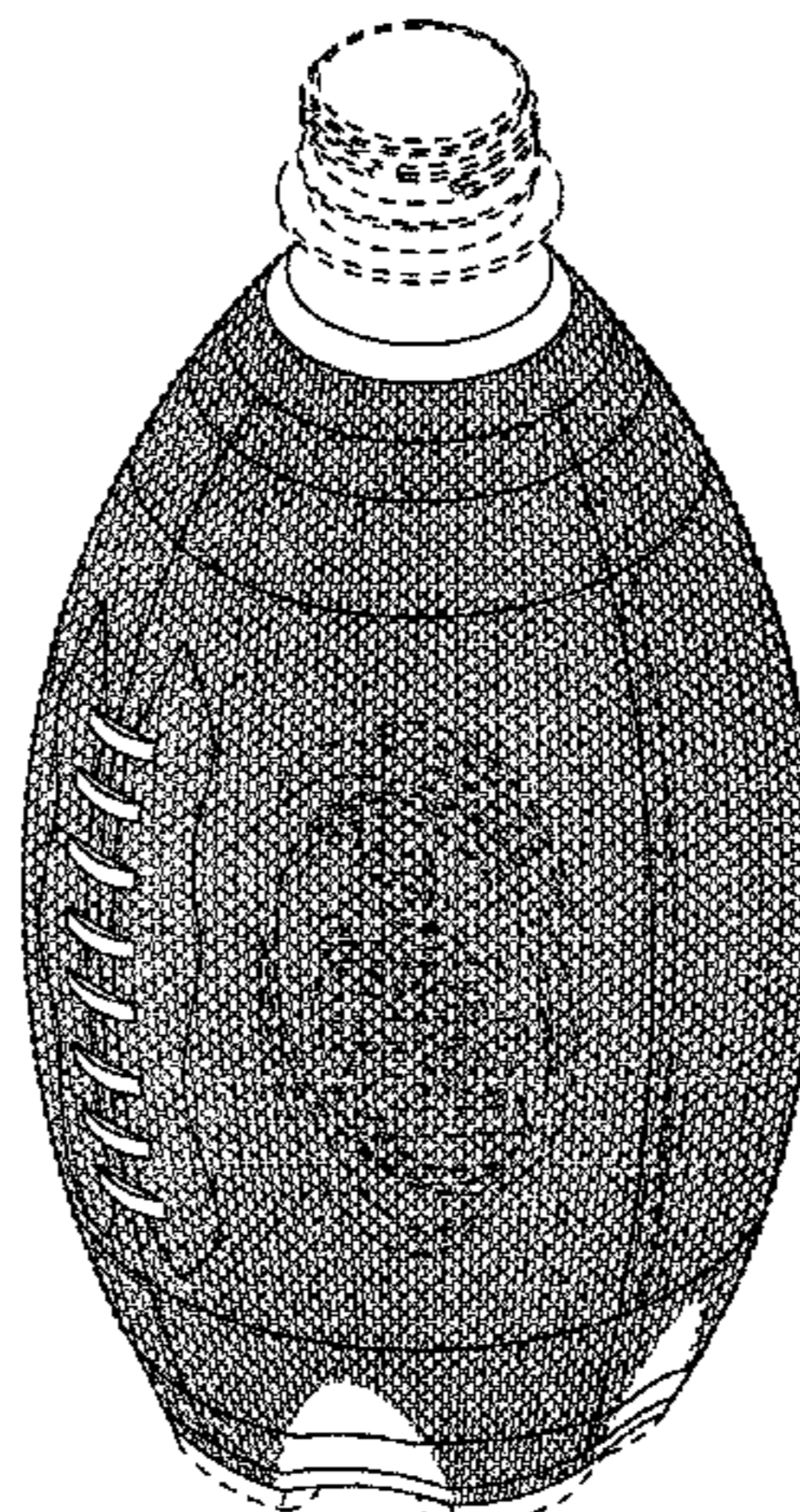
FIG. 1 is a perspective view showing a first embodiment of our new design;
FIG. 2 is a front elevational view thereof;
FIG. 3 is a rear elevational view thereof;
FIG. 4 is a left side elevational view thereof;
FIG. 5 is a right side elevational view thereof;
FIG. 6 is a top plan view thereof;
FIG. 7 is a bottom plan view thereof;
FIG. 8 is a partial sectional view thereof;
FIG. 9 is a perspective view showing a second embodiment of our new design;
FIG. 10 is a front elevational view thereof;
FIG. 11 is a rear elevational view thereof;
FIG. 12 is a left side elevational view thereof;
FIG. 13 is a right side elevational view thereof;
FIG. 14 is a top plan view thereof;
FIG. 15 is a bottom plan view thereof; and,
FIG. 16 is a partial sectional view thereof.
The broken lines showing environment are for illustrative purposes only and form no part of the claimed design.

(56) **References Cited**

U.S. PATENT DOCUMENTS

D193,638 S	9/1962	Goldstein et al.
D198,342 S	6/1964	Taylor et al.
3,624,939 A	12/1971	Gossard
D242,971 S	1/1977	Schlichter
4,164,284 A	8/1979	Witt et al.
D288,362 S	2/1987	Simmons
4,761,314 A	8/1988	Marshall
D319,008 S	8/1991	Leon
D323,602 S	2/1992	Katz
5,165,965 A	11/1992	Martin
5,188,261 A	2/1993	Butters
D334,144 S	3/1993	Chen
D359,655 S	6/1995	Hurst et al.
5,503,296 A	4/1996	DiBaggio
D370,154 S	5/1996	Gruneisen, III

1 Claim, 14 Drawing Sheets



US D609,111 S

Page 2

U.S. PATENT DOCUMENTS

5,662,241	A	9/1997	Sorensen	D477,132	S	7/2003	Bond et al.	
D389,734	S	1/1998	Schultz et al.	6,827,228	B2	12/2004	Headen et al.	
D391,155	S	2/1998	Edson et al.	D511,212	S	11/2005	Whalen	
D399,419	S	10/1998	Edson	D513,592	S	1/2006	O'Day	
D402,198	S	12/1998	Schultz et al.	D518,596	S	* 4/2006	Angeletta	D9/668
D409,904	S	5/1999	Clements et al.	D519,384	S	4/2006	Voss et al.	
D411,442	S	6/1999	Edson et al.	7,188,350	B2	3/2007	Rosowski	
D424,375	S	5/2000	D'Arrigo	D554,507	S	11/2007	Laupie	
D424,876	S	5/2000	McPartland	D562,073	S	2/2008	Yeh	
D425,757	S	5/2000	Printz et al.	D563,230	S	3/2008	Watts	
D456,706	S	5/2002	Rhodes et al.	D563,231	S	3/2008	Watts	
D471,112	S	3/2003	Davis et al.	D580,775	S	* 11/2008	Harris	D9/668
D472,474	S	4/2003	Headen et al.	2005/0044760	A1	3/2005	Bailey	
6,577,922	B2	6/2003	Gadrix et al.	2005/0254341	A1	11/2005	Gerling et al.	
				2007/0062973	A1	3/2007	Sochacki	

* cited by examiner

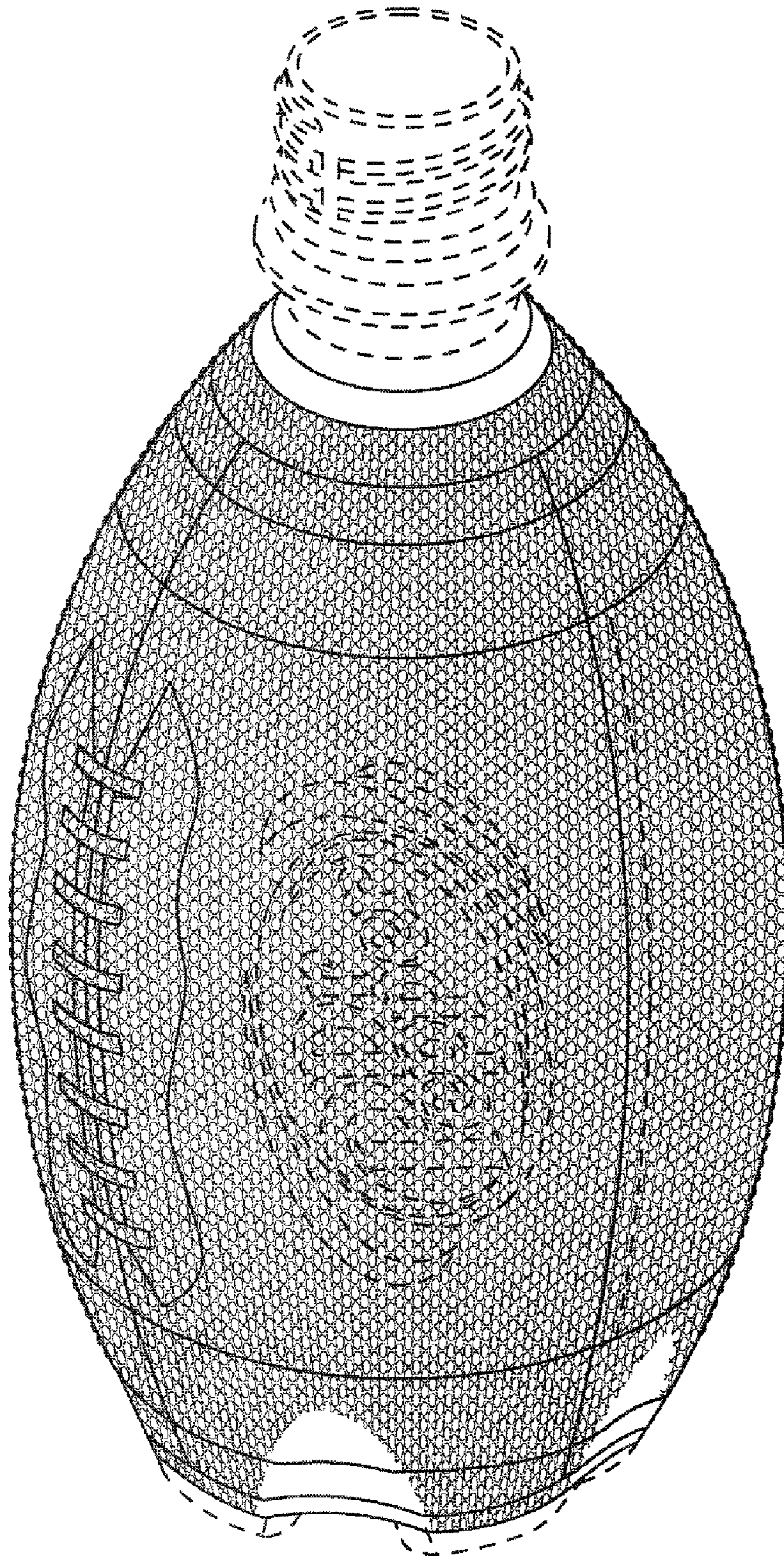


FIG. 1

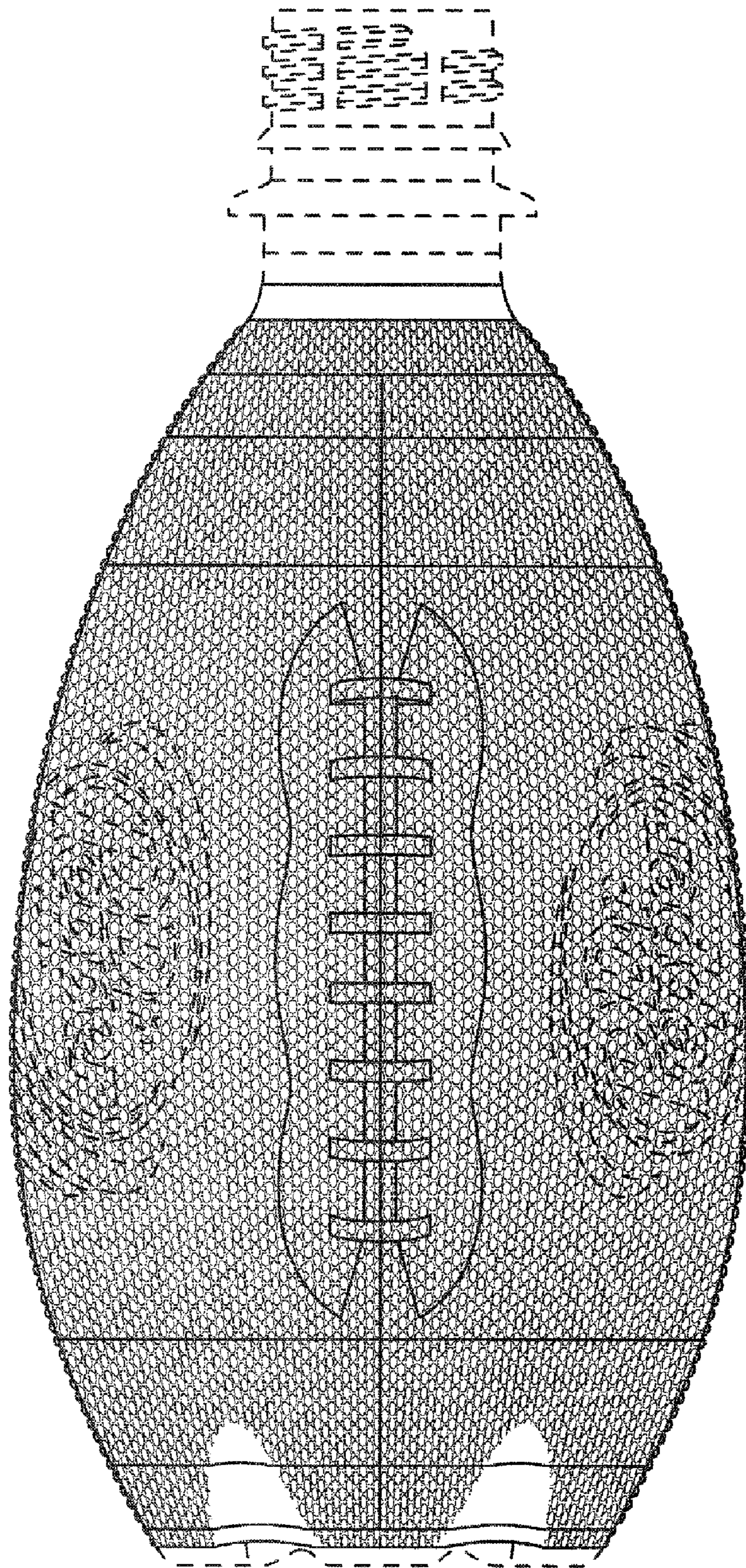


FIG. 2

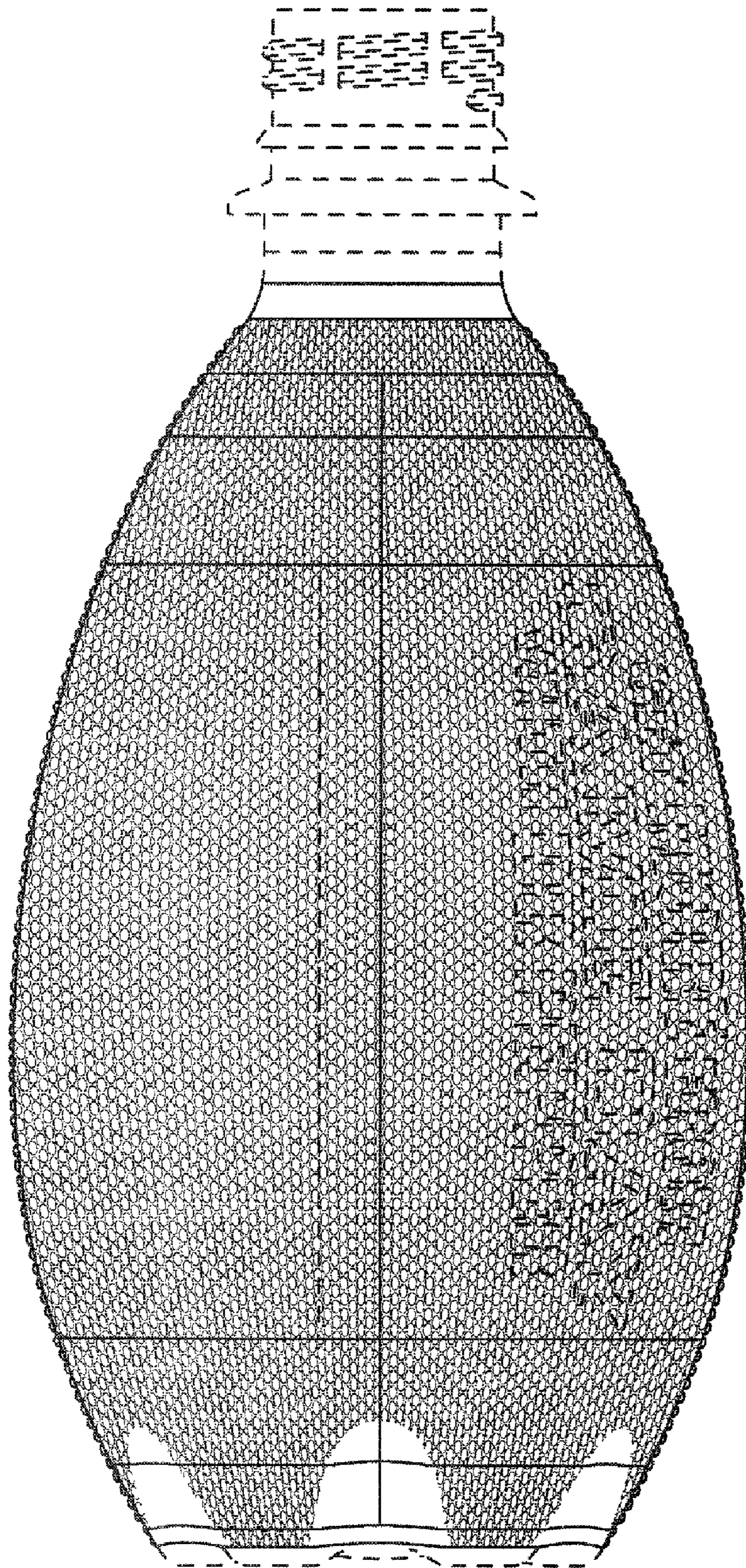


FIG. 3

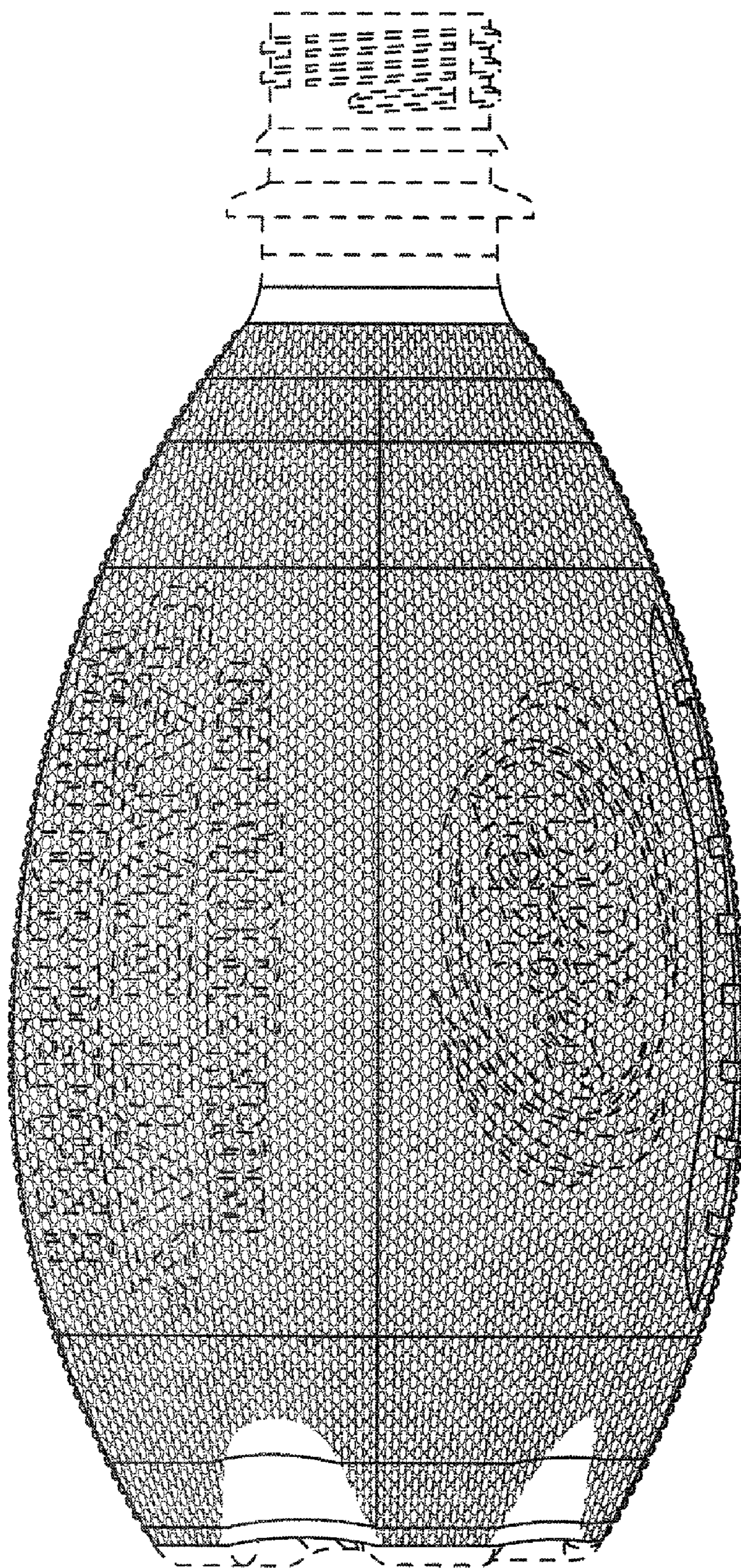


FIG. 4

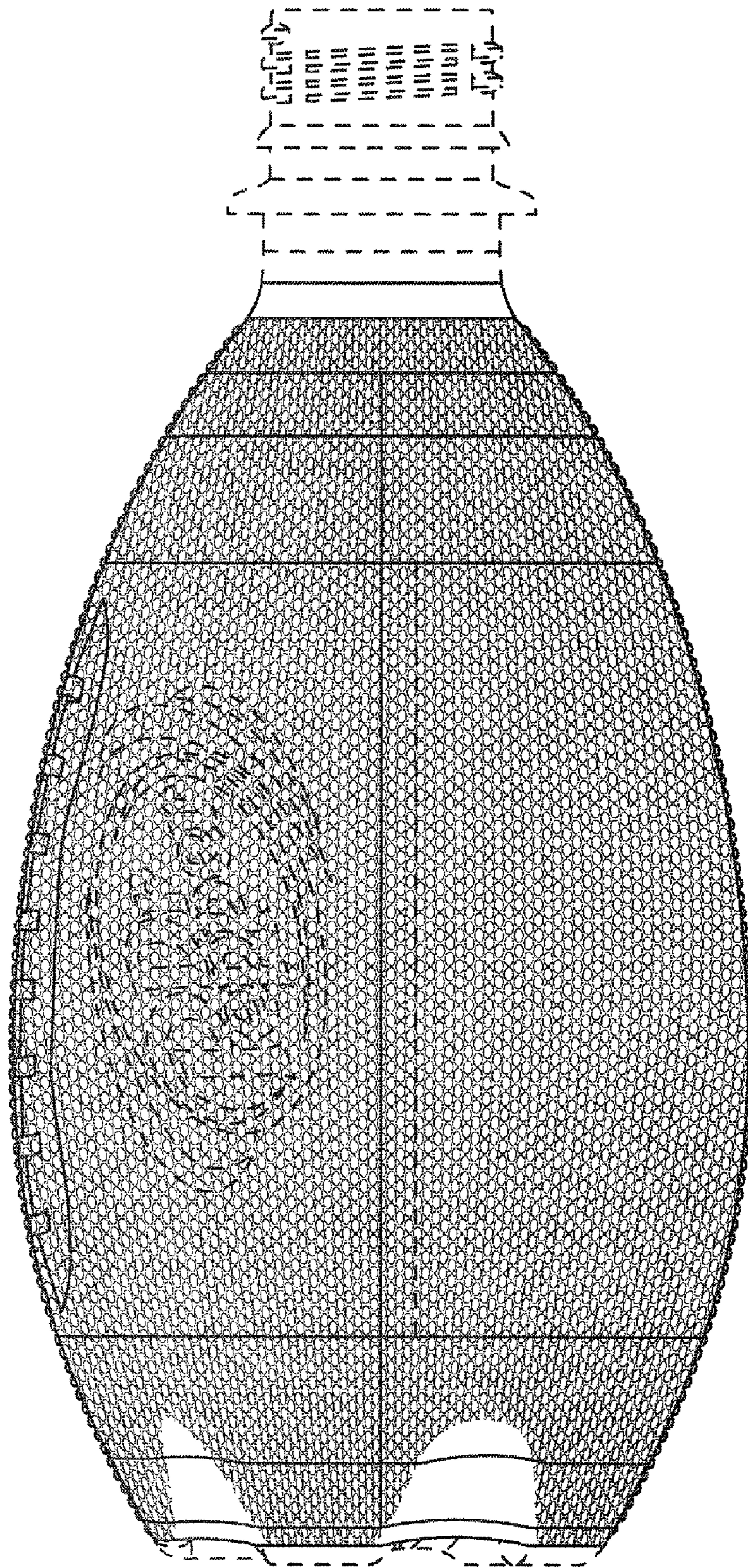


FIG. 5

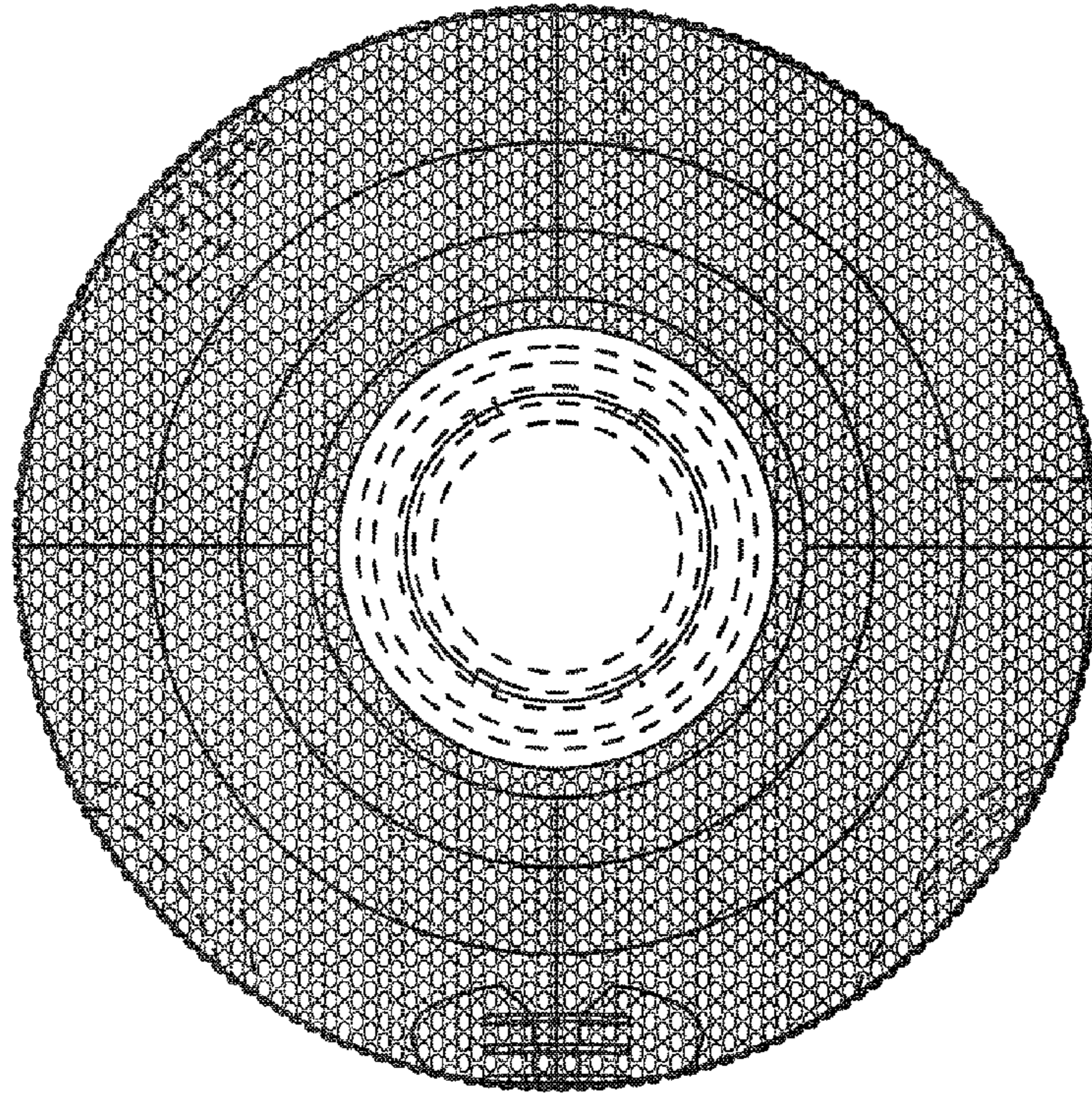
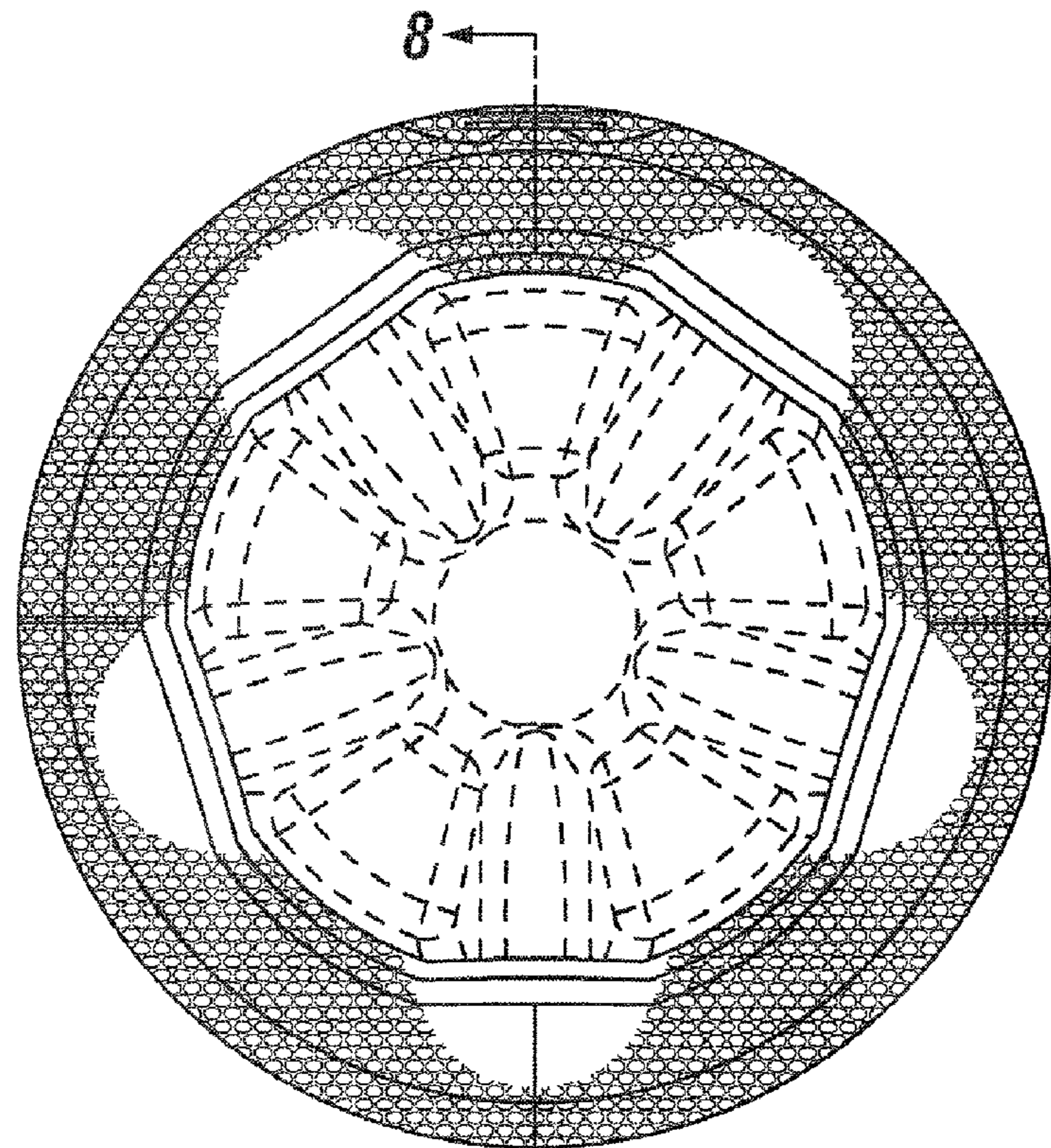


FIG. 6



8

FIG. 7

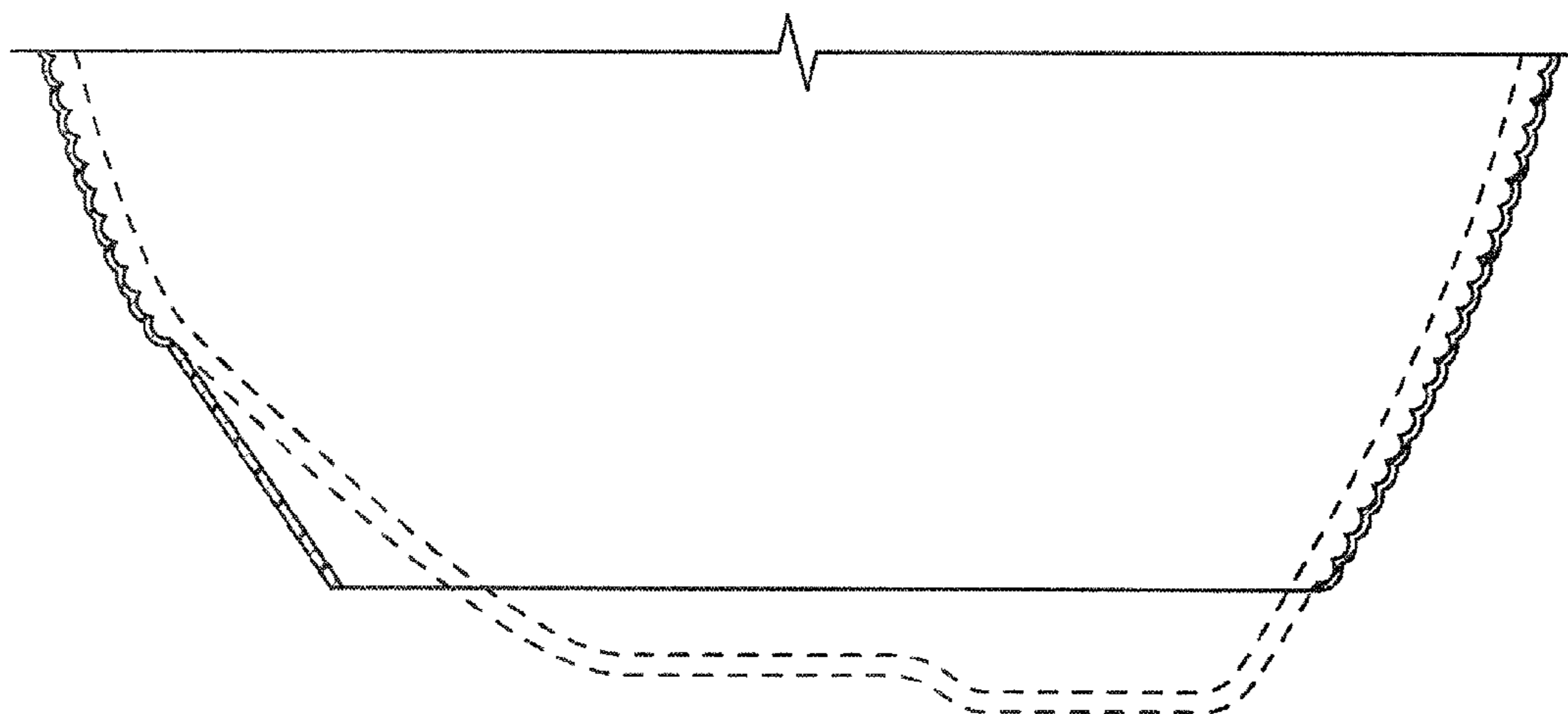


FIG. 8

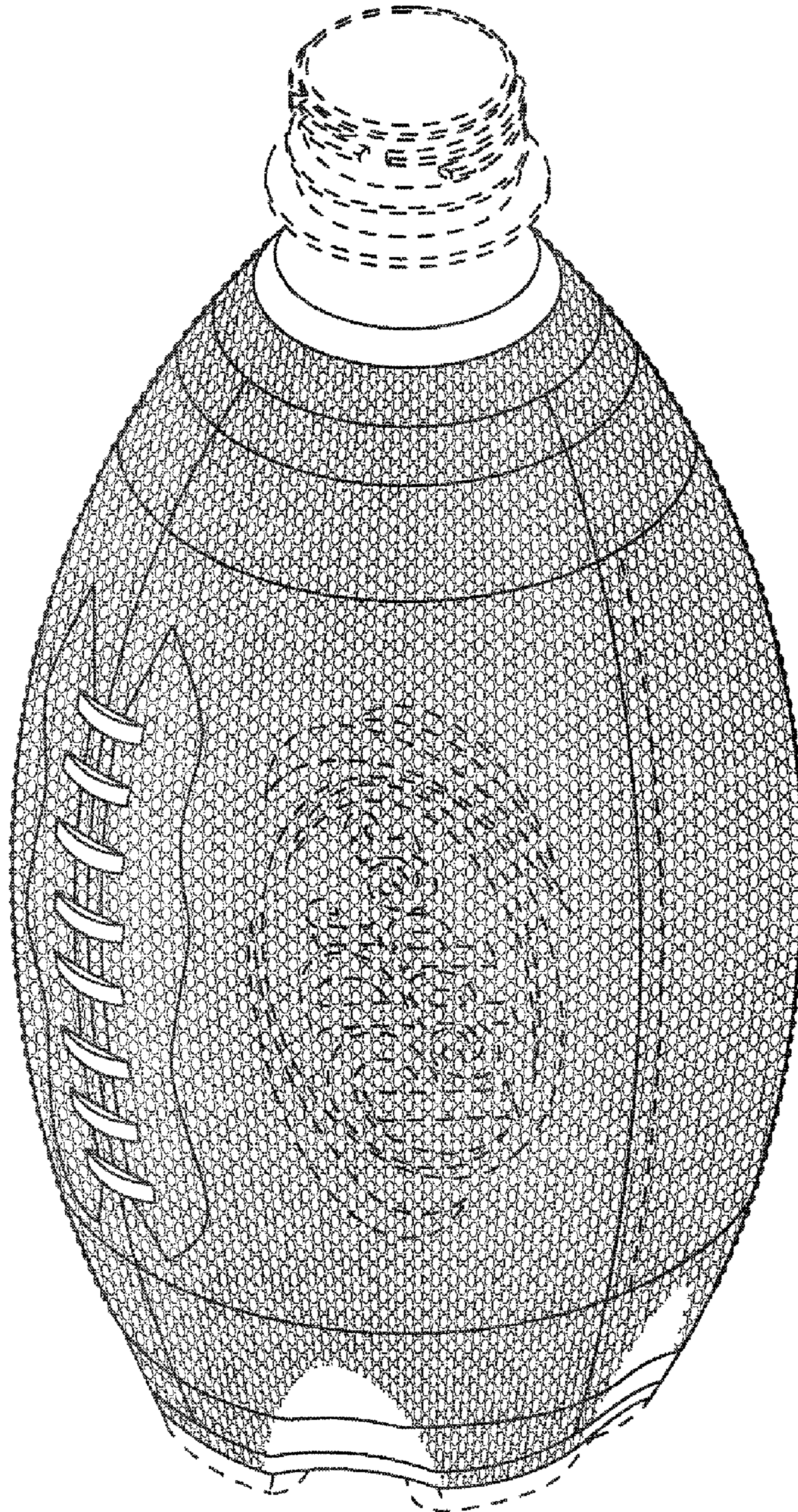


FIG. 9

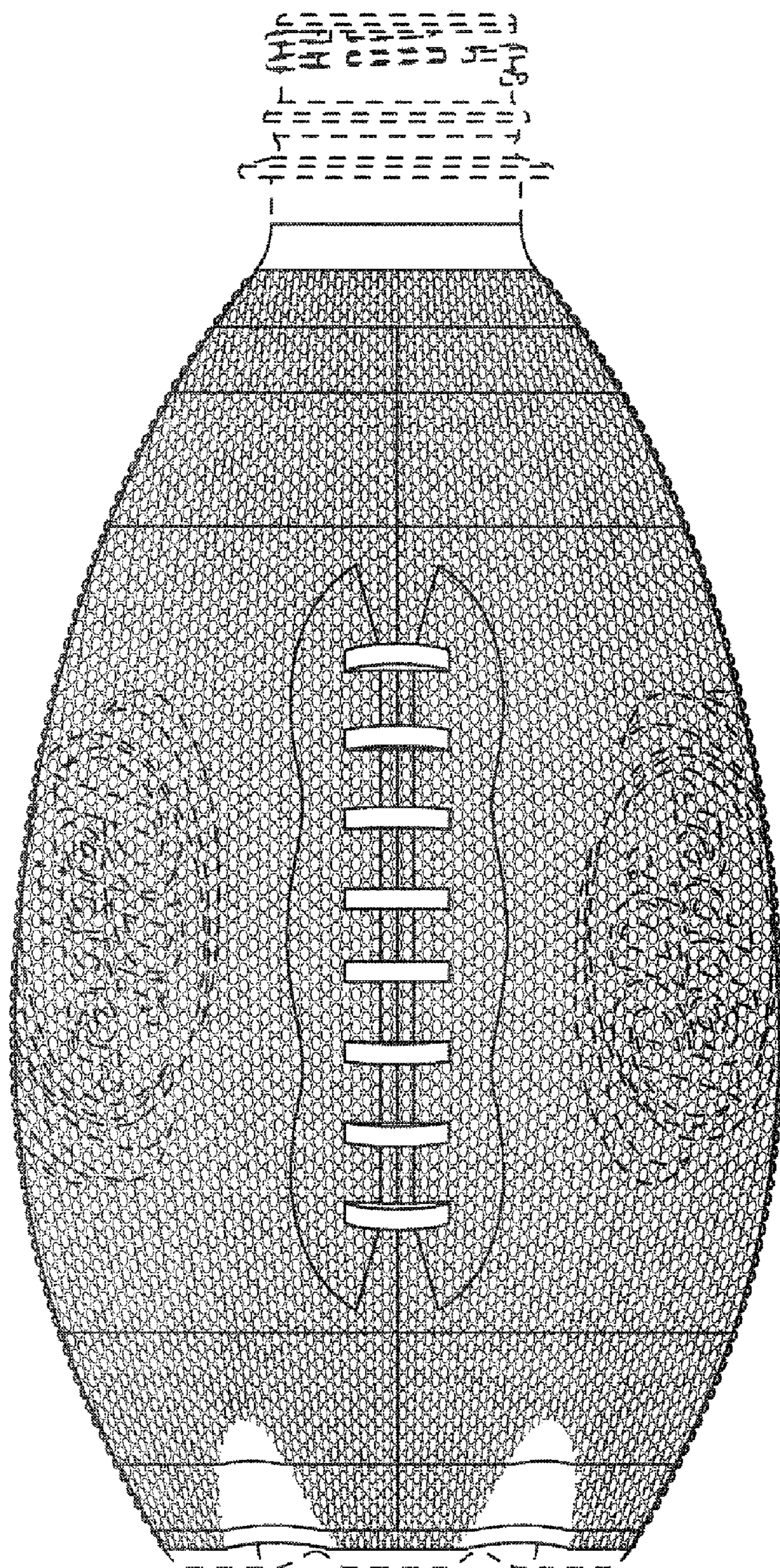


FIG. 10

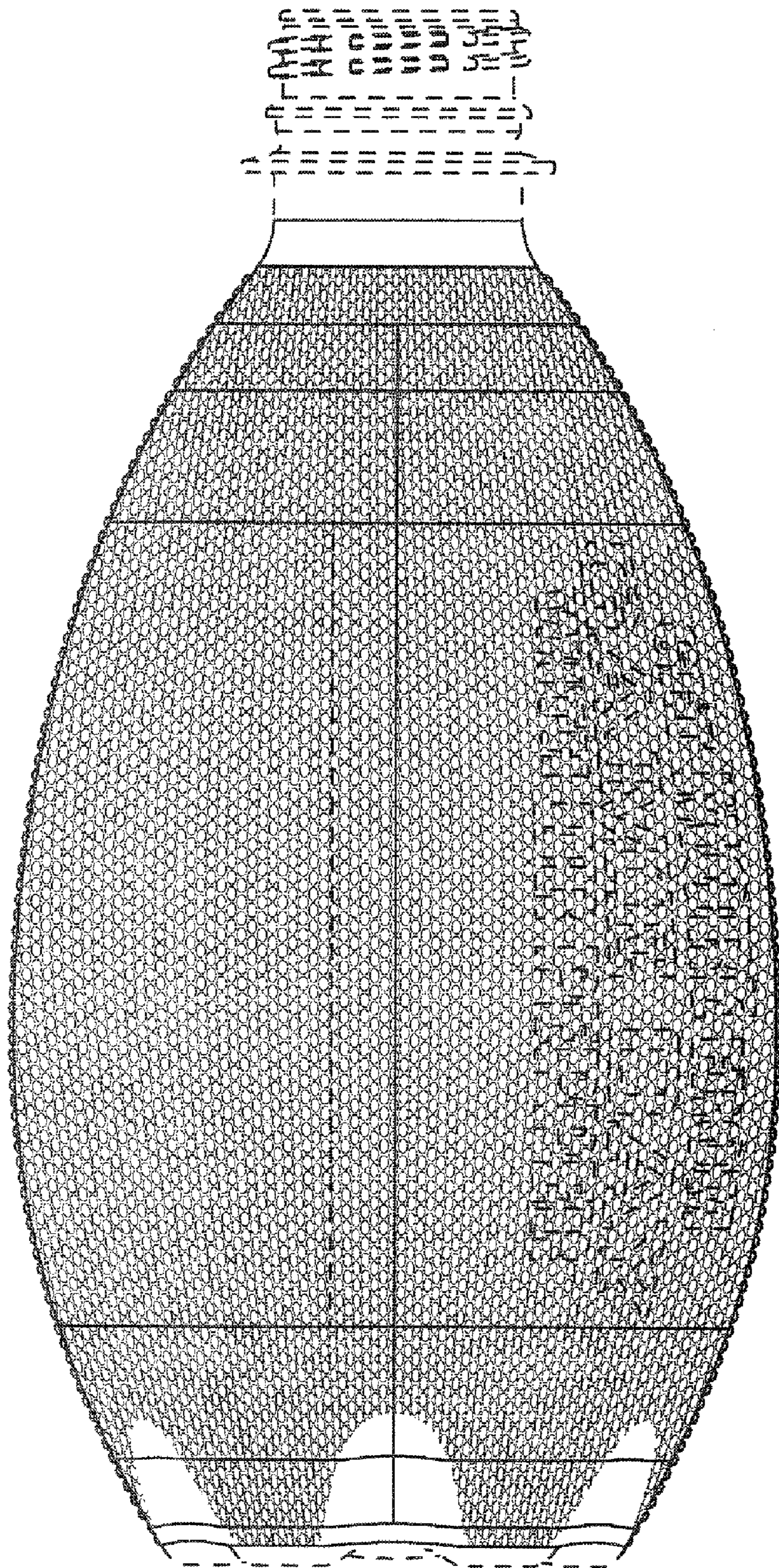


FIG. 11

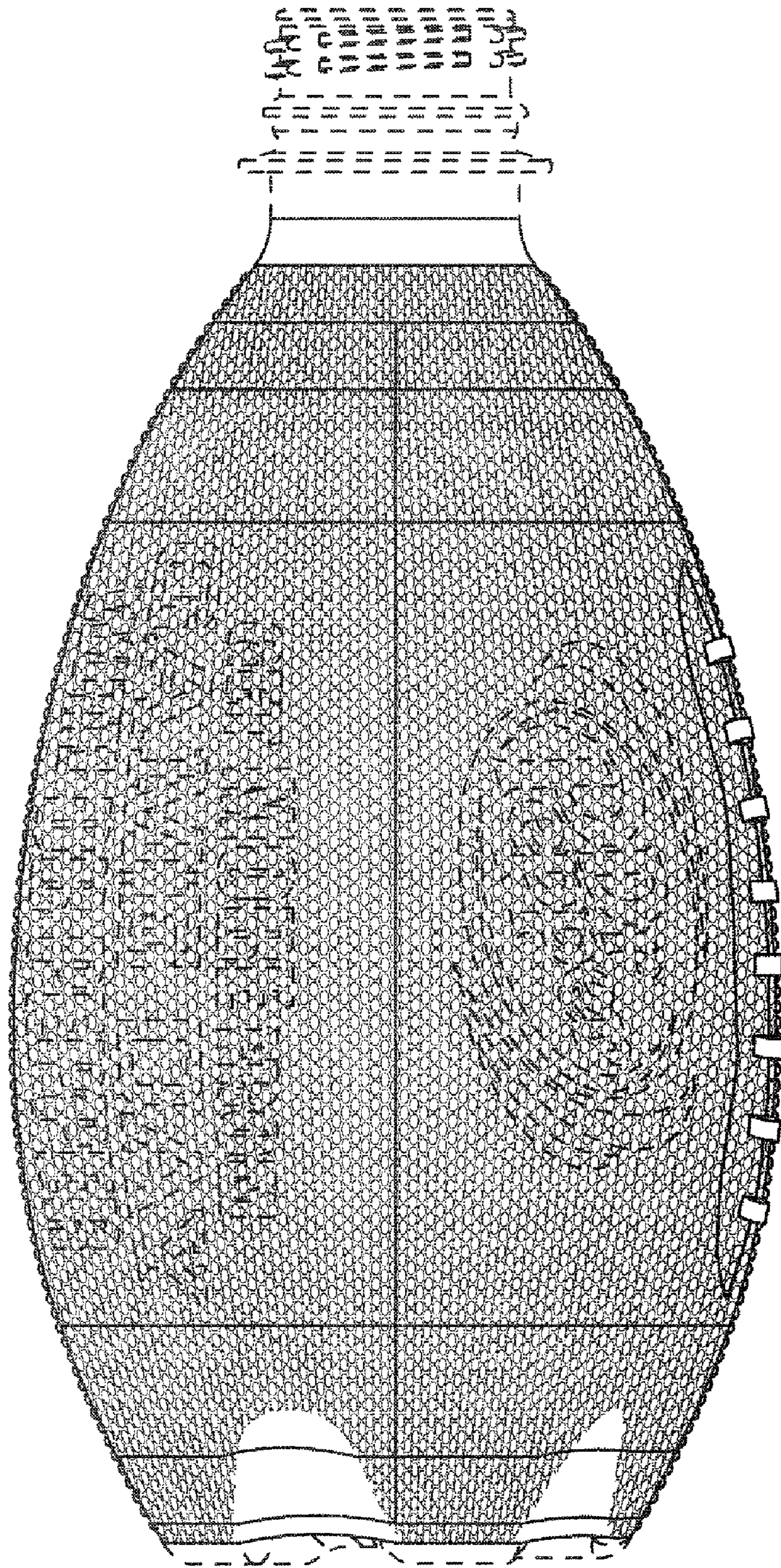


FIG. 12

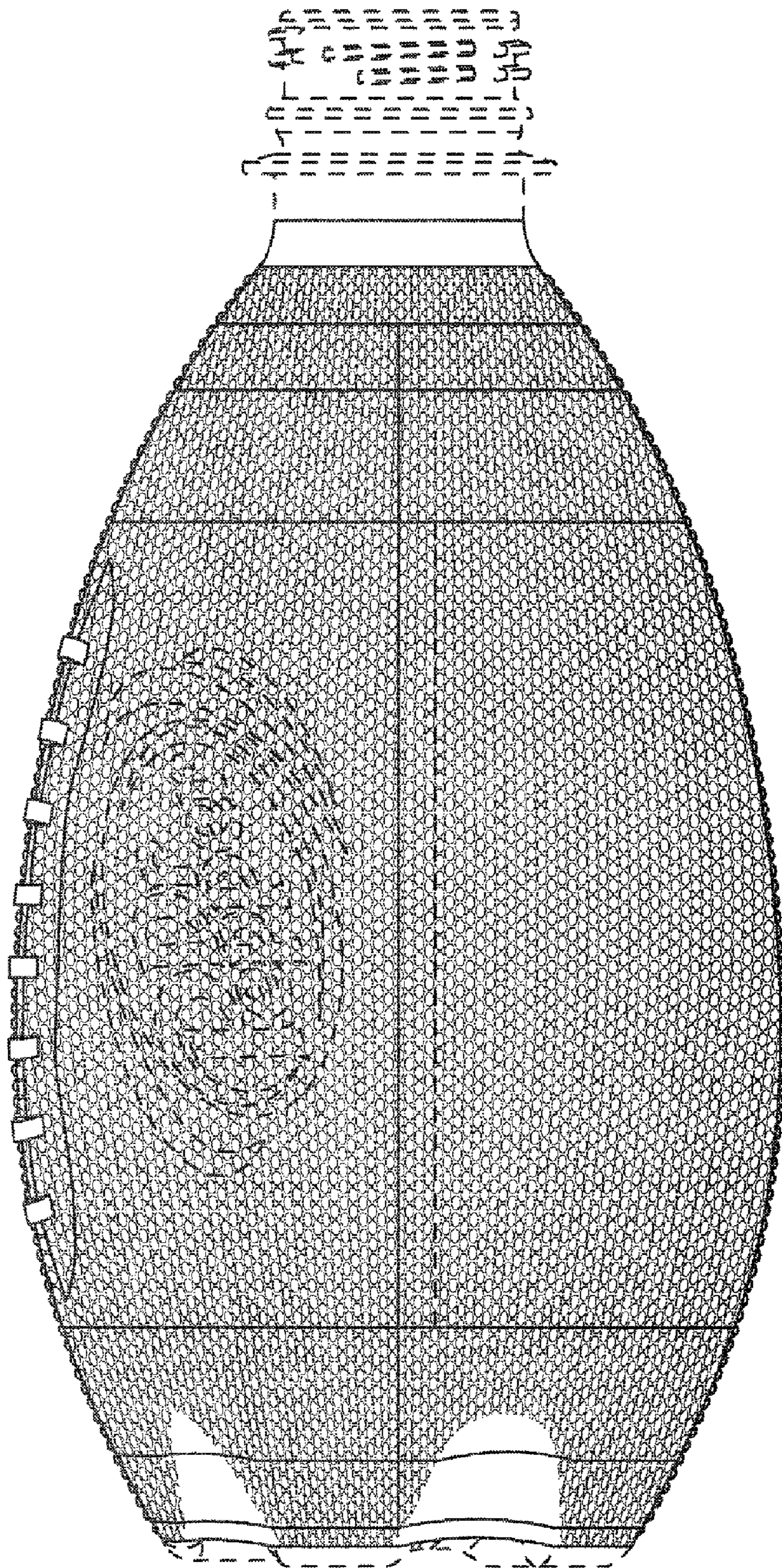


FIG. 13

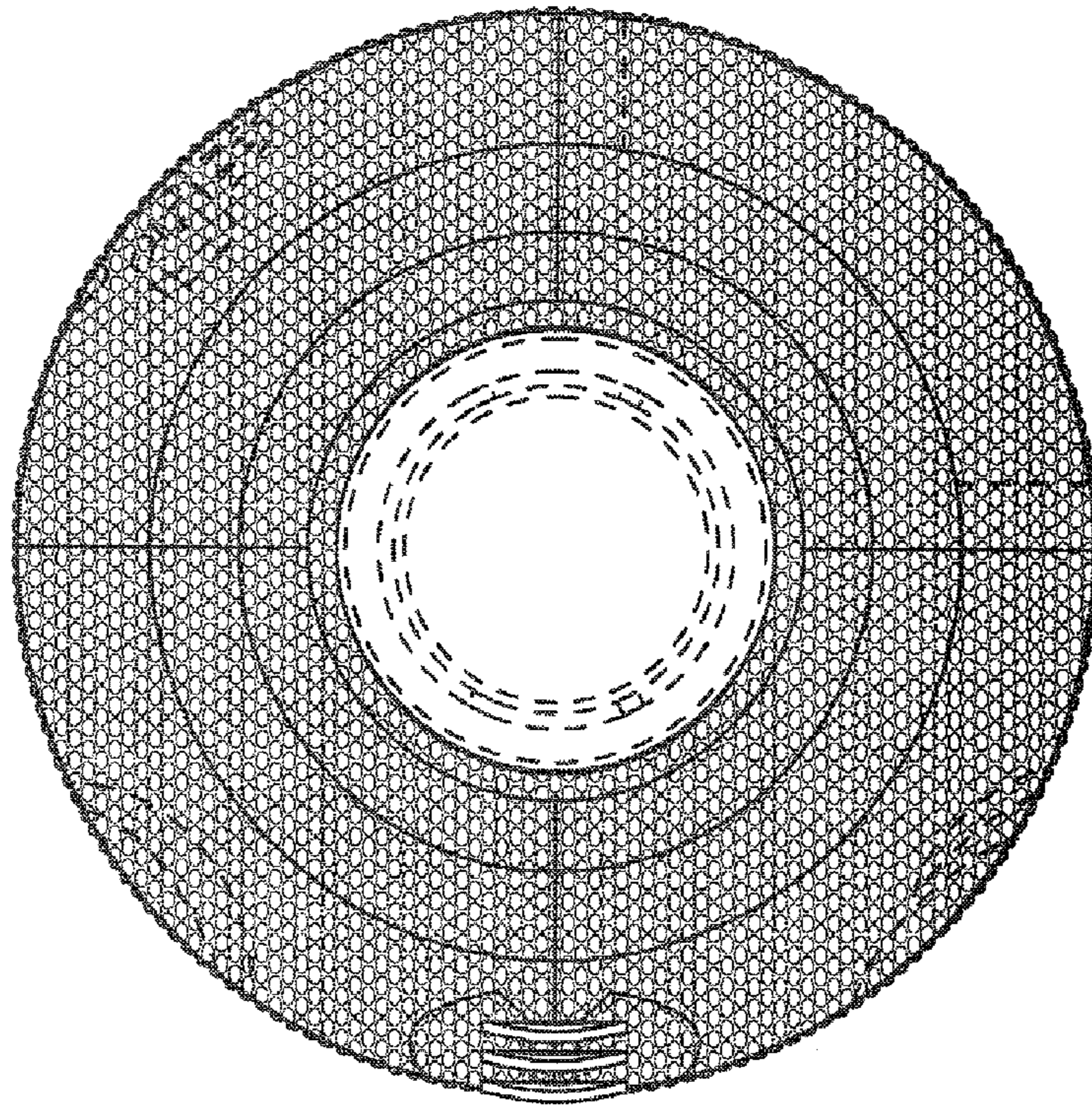
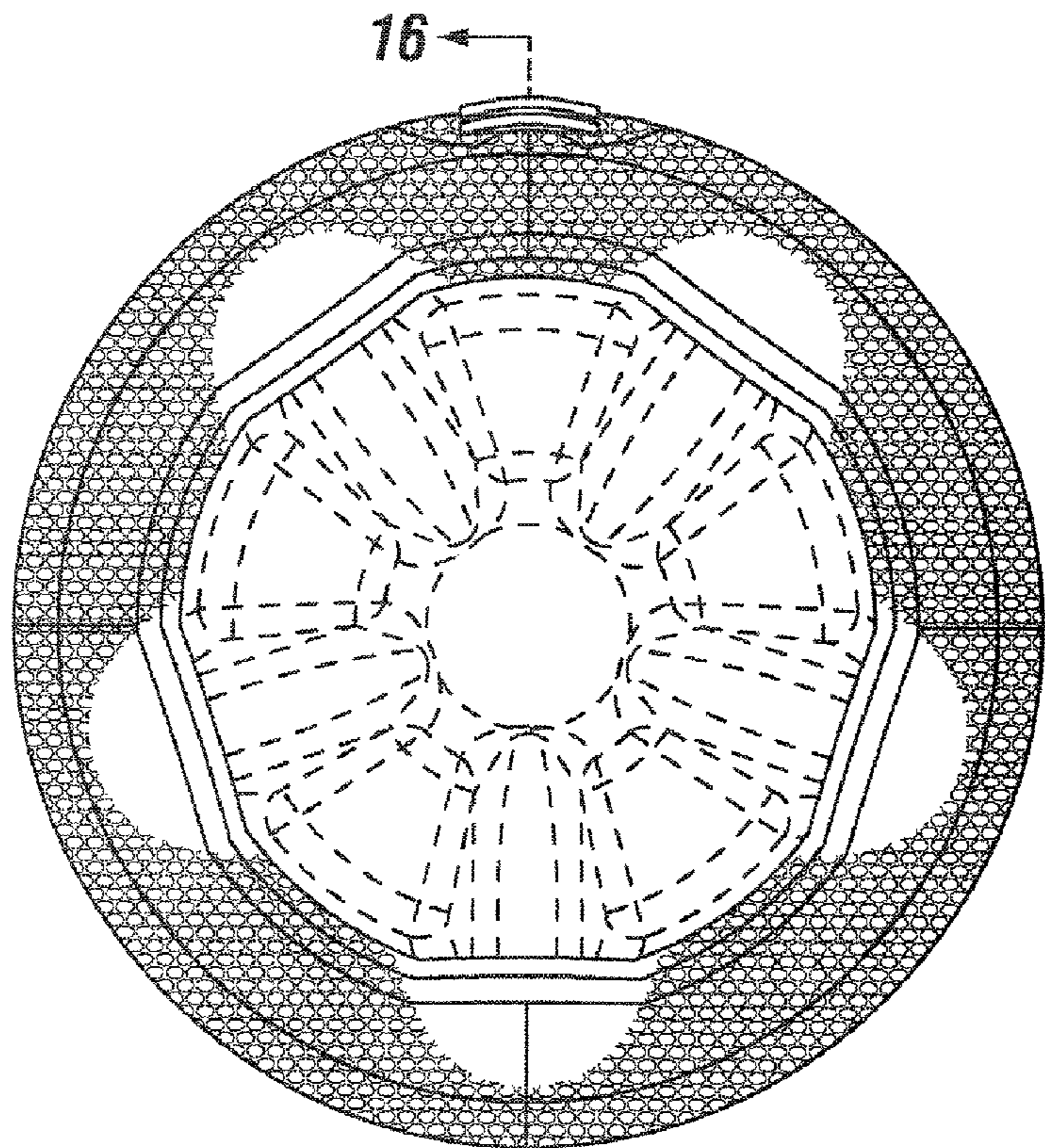


FIG. 14



16 ←

FIG. 15

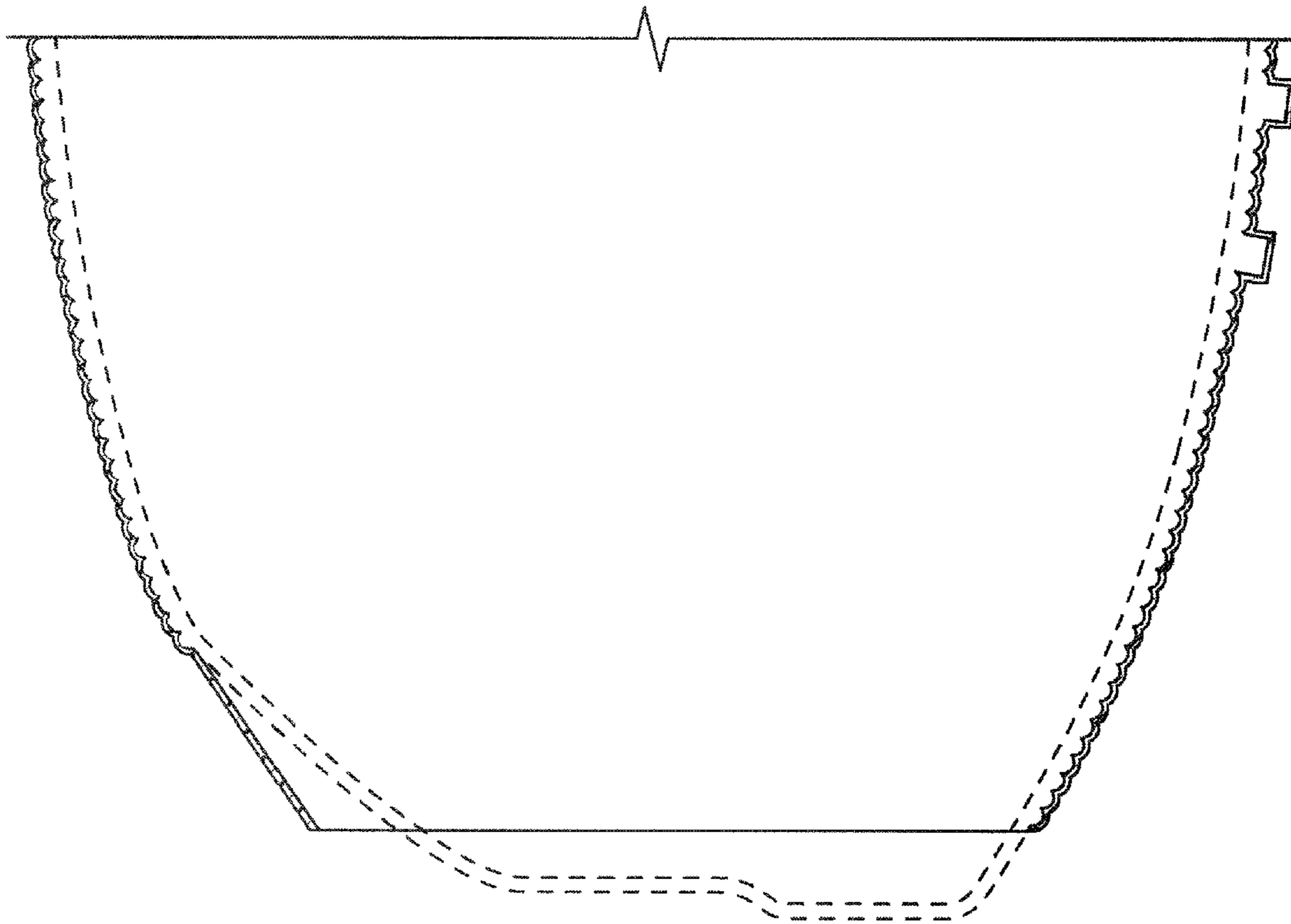


FIG. 16