



US00D609110S

(12) **United States Design Patent**
Moretti

(10) **Patent No.:** **US D609,110 S**

(45) **Date of Patent:** **** Feb. 2, 2010**

(54) **BOTTLE**

(75) Inventor: **Francesco Moretti**, Paris (FR)

(73) Assignee: **Noms de Code** (FR)

(**) Term: **14 Years**

(21) Appl. No.: **29/322,384**

(22) Filed: **Aug. 4, 2008**

(30) **Foreign Application Priority Data**

Feb. 7, 2008 (EP) 000874029-00001

(51) **LOC (9) Cl.** **09-01**

(52) **U.S. Cl.** **D9/627; D9/694**

(58) **Field of Classification Search** D9/600,
D9/614, 621, 622, 624, 625, 682, 685, 694,
D9/572-574; 206/457, 458, 527; 215/400;
220/890

See application file for complete search history.

(56) **References Cited**

U.S. PATENT DOCUMENTS

D338,618 S * 8/1993 Berkeley D9/621
D383,384 S * 9/1997 Gaultier D9/621
D399,132 S * 10/1998 Vola D9/625

D532,699 S * 11/2006 Mouquet D9/694
D589,816 S * 4/2009 Takahashi D9/621

* cited by examiner

Primary Examiner—Sandra Morris

(74) *Attorney, Agent, or Firm*—Hiscock & Barclay, LLP

(57) **CLAIM**

I claim the ornamental design for a bottle, as shown and described.

DESCRIPTION

FIG. 1 is a perspective view from the right side of an embodiment of a bottle, suitable for containing perfume, cosmetics or other products, showing my new design,

FIG. 2 is perspective view from the left side of the bottle shown in FIG. 1.

FIG. 3 is a front view of the bottle shown in FIG. 1;

FIG. 4 is a rear view of the bottle shown in FIG. 1;

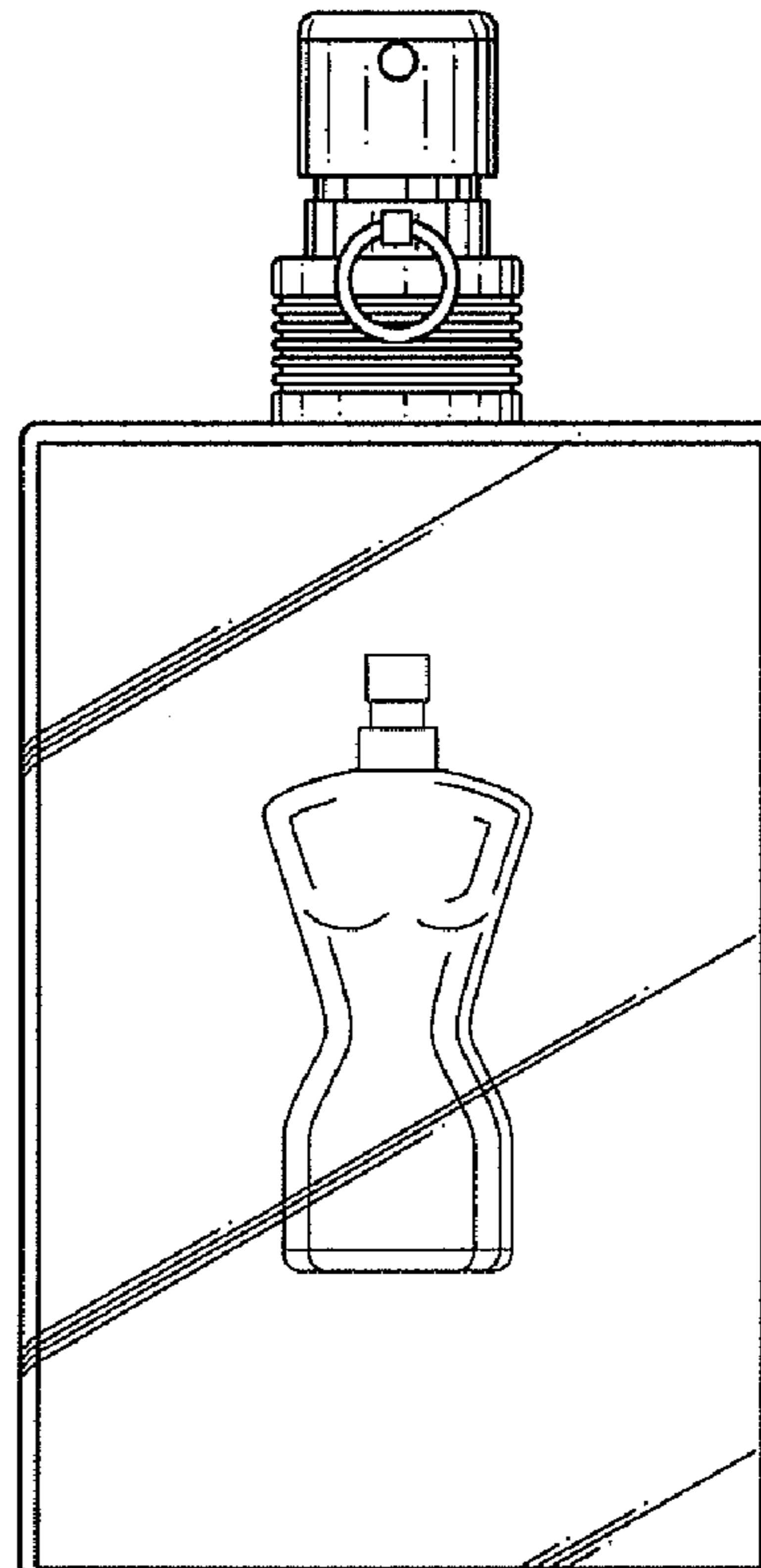
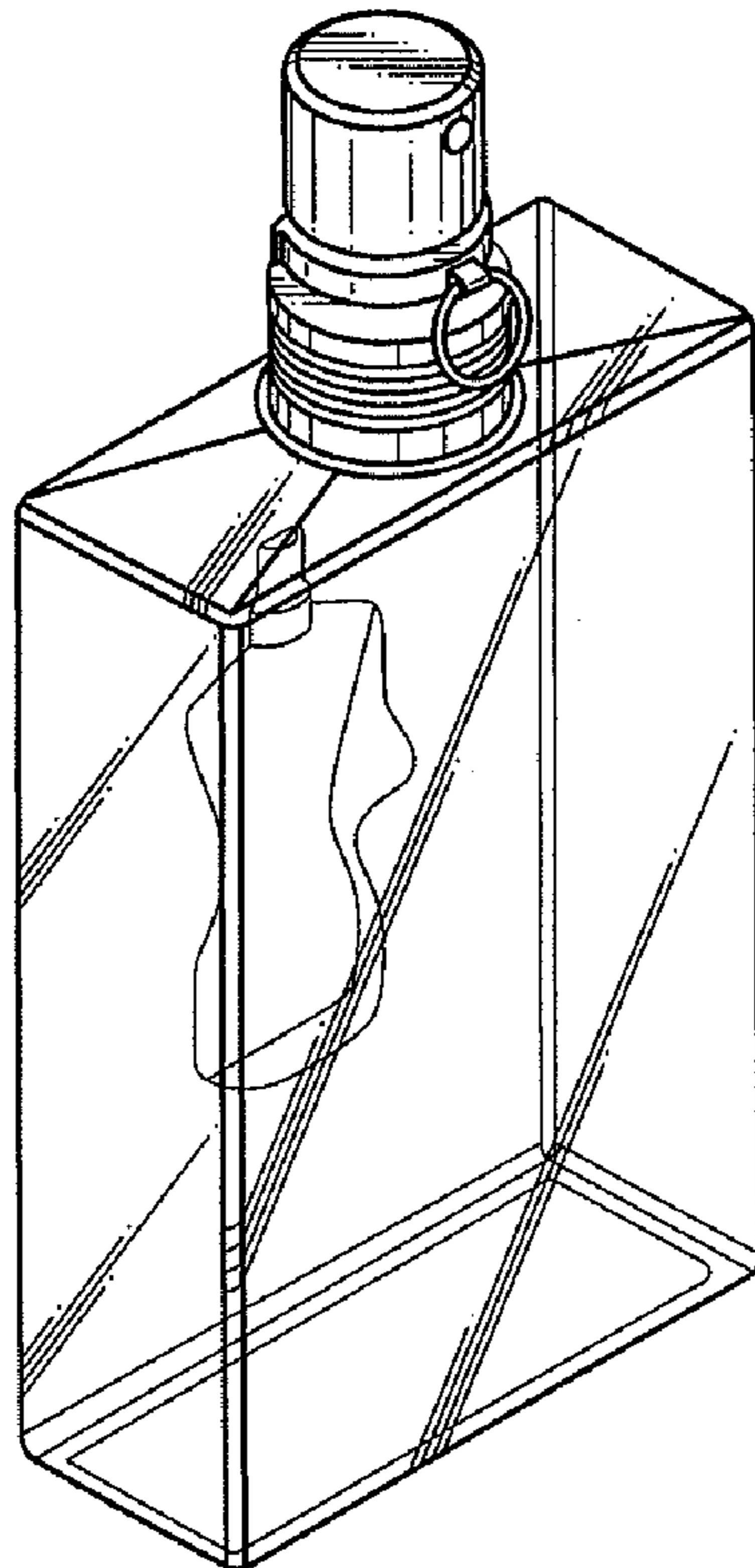
FIG. 5 is a righthand side view of the bottle shown in FIG. 1;

FIG. 6 is a lefthand side view of the bottle shown in FIG. 1

FIG. 7 is a top view of the bottle shown in FIG. 1; and,

FIG. 8 is a bottom view of the bottle shown in FIG. 1.

1 Claim, 2 Drawing Sheets



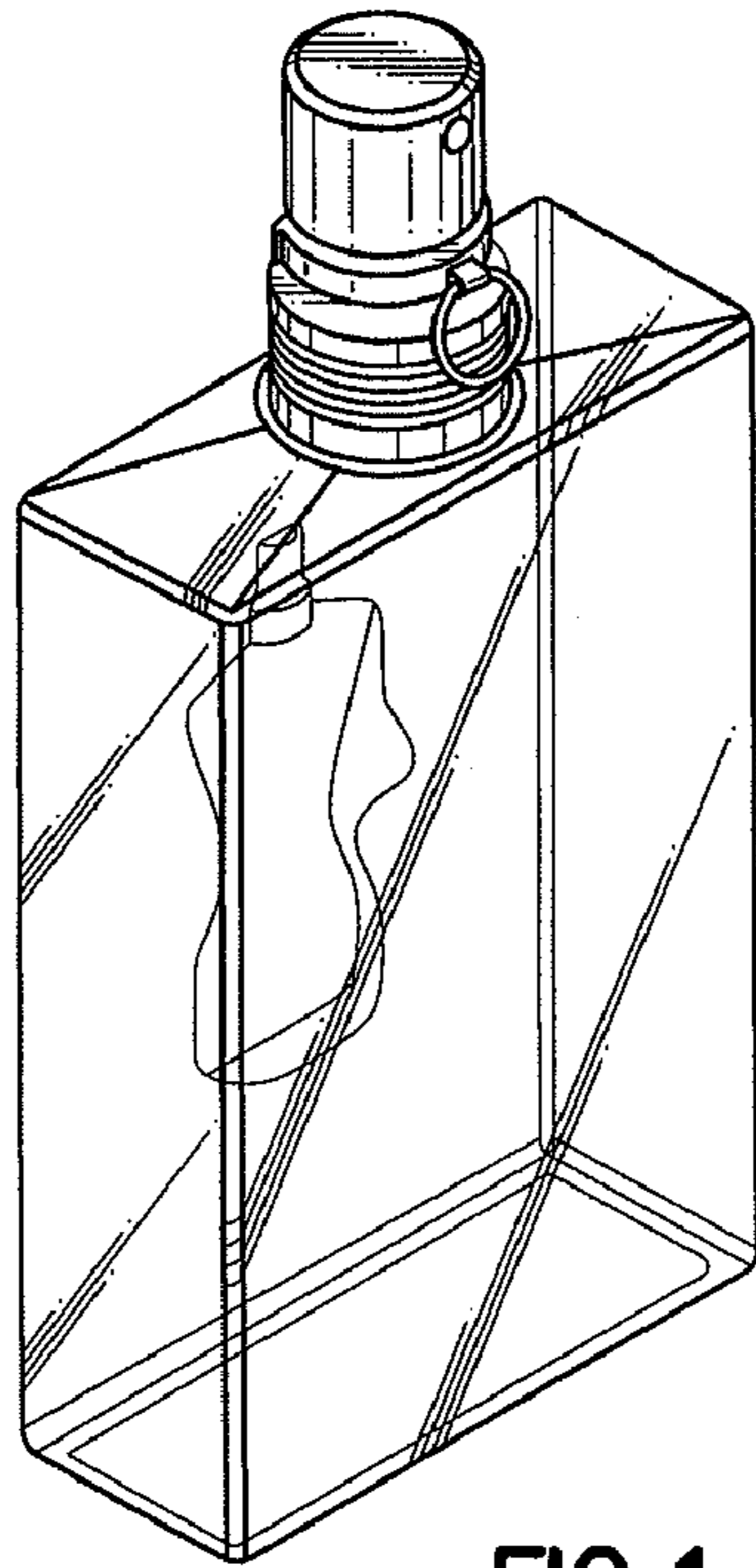


FIG. 1

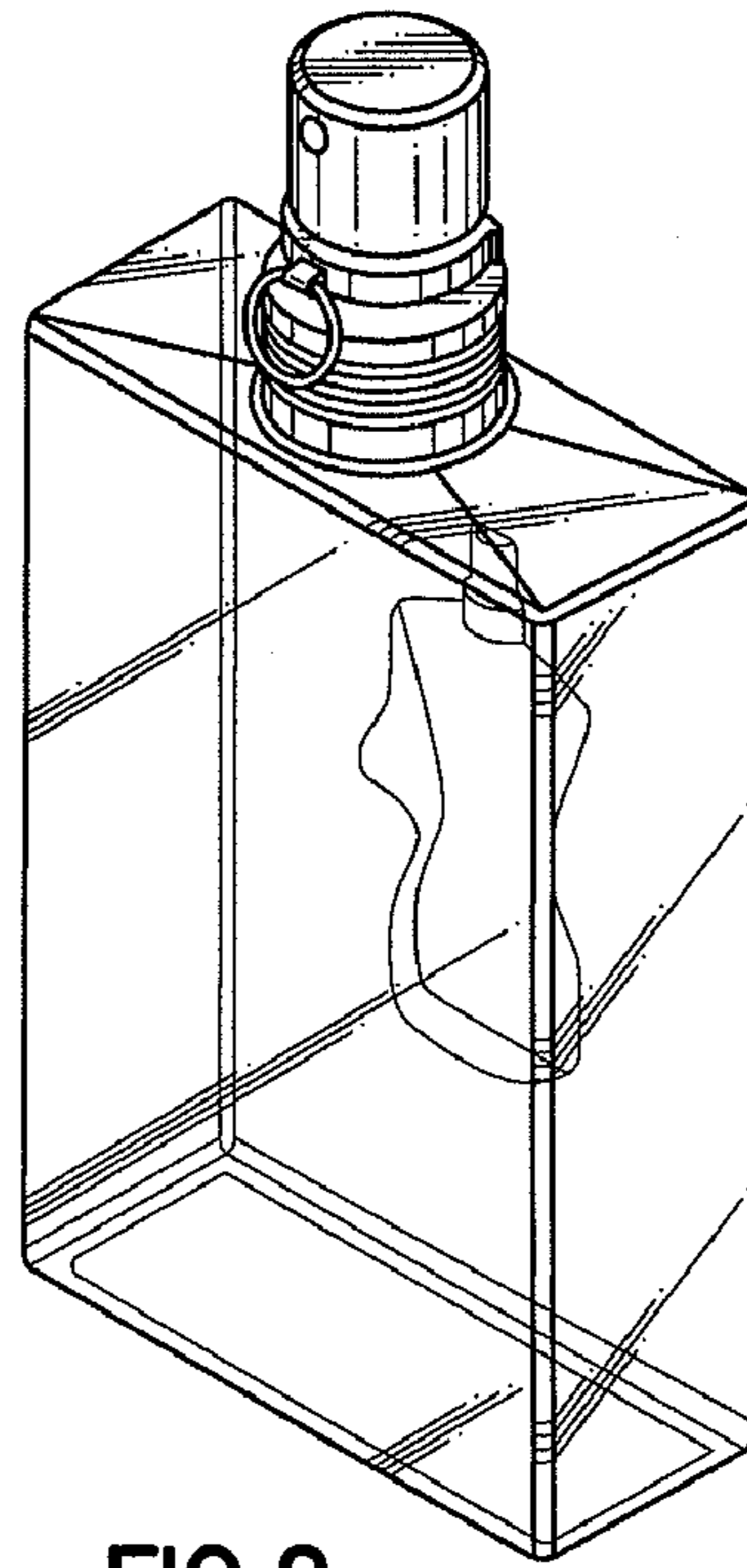


FIG. 2

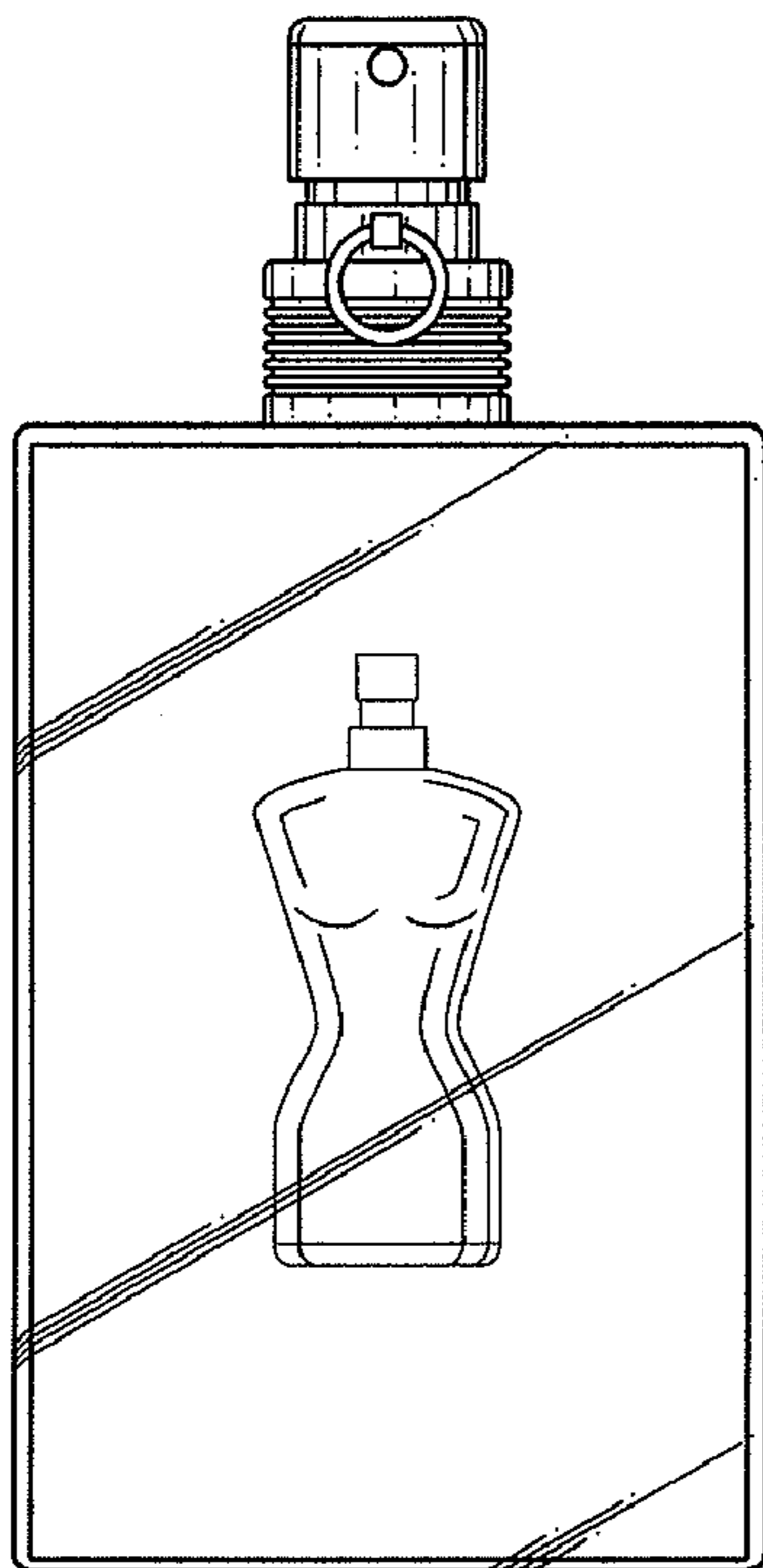


FIG. 3

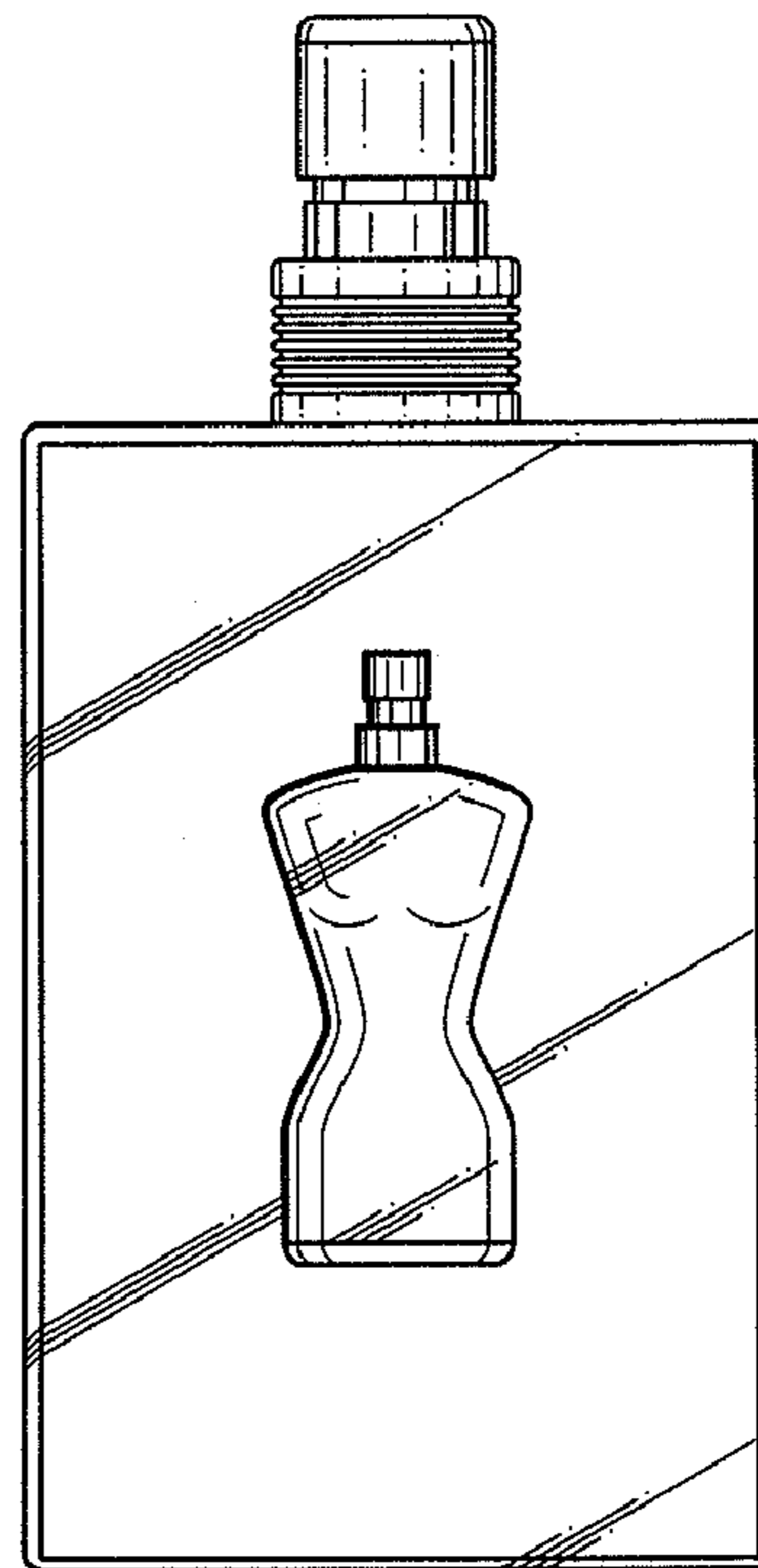


FIG. 4

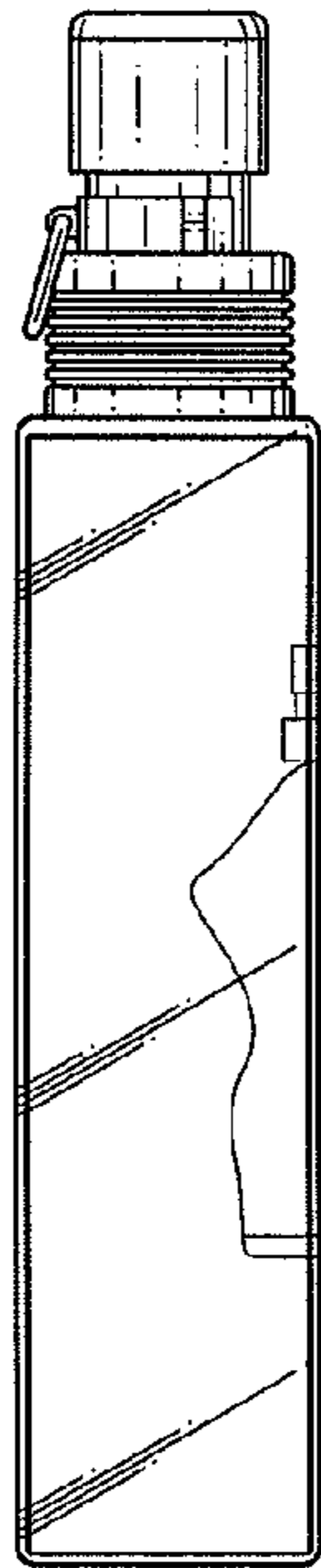


FIG. 5

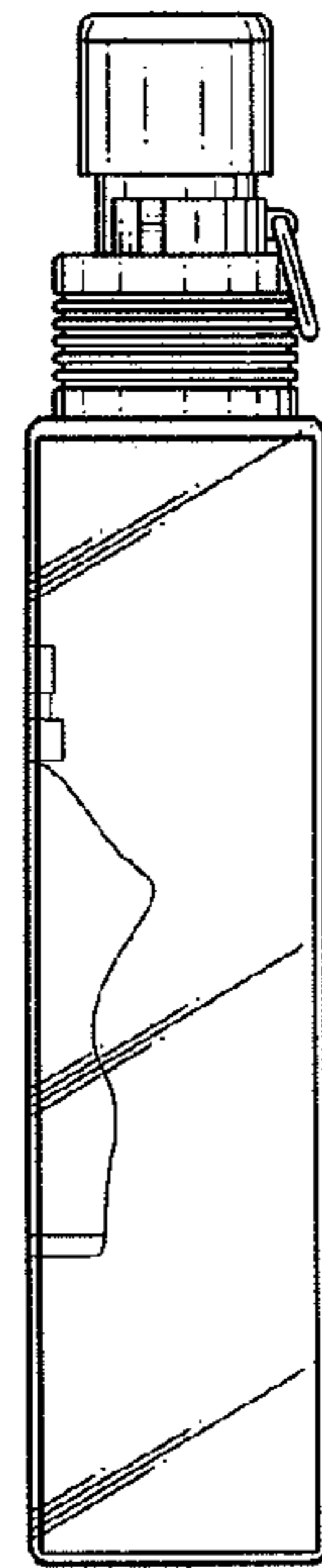


FIG. 6

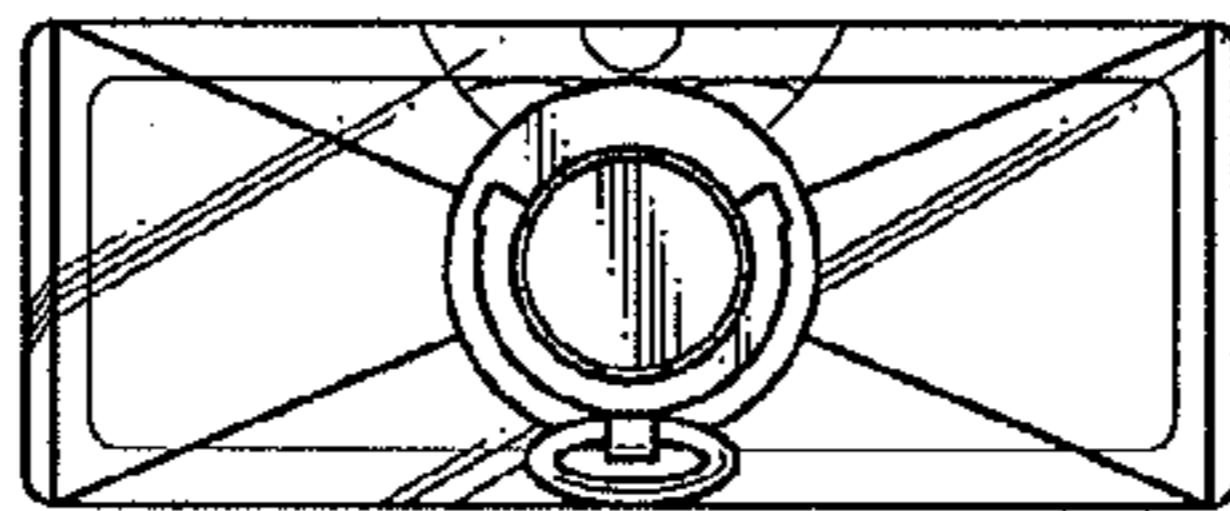


FIG. 8

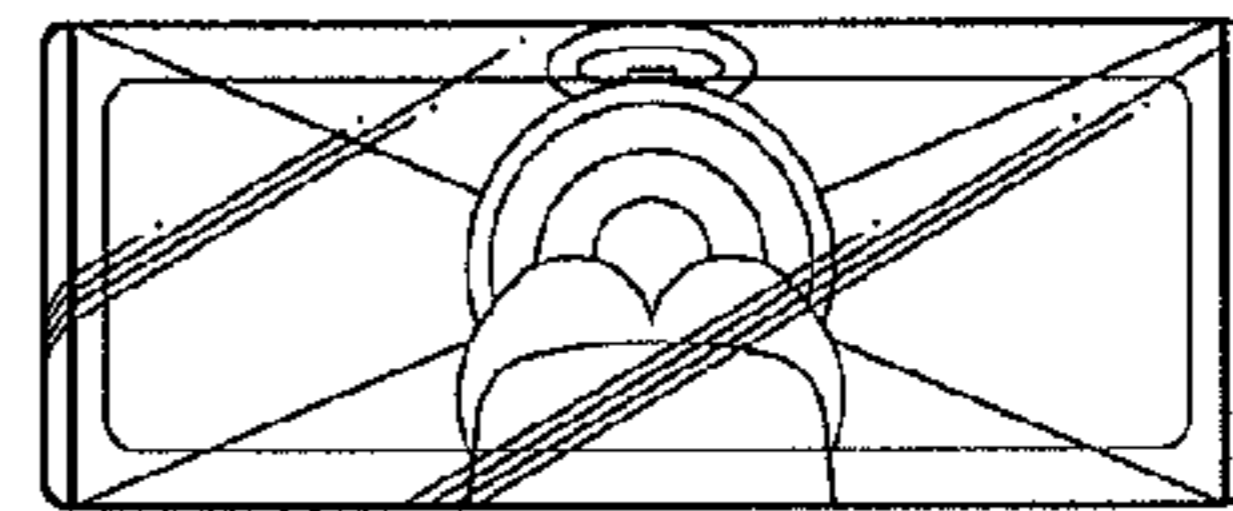


FIG. 7