



US00D609108S

(12) **United States Design Patent**
George et al.

(10) **Patent No.:** **US D609,108 S**
(45) **Date of Patent:** **** Feb. 2, 2010**

(54) **BOTTLE**

(75) Inventors: **Patrick T. George**, Plano, TX (US);
Nicholas J. Caporin, Little Elm, TX
(US); **Christopher Thompson**
Caldwell, Monroe, MI (US)

(73) Assignee: **Snapple Beverage Corporation**, Rye
Brook, NY (US)

(**) Term: **14 Years**

(21) Appl. No.: **29/317,518**

(22) Filed: **Apr. 30, 2008**

(51) **LOC (9) Cl.** **09-01**

(52) **U.S. Cl.** **D9/552; D9/520; D9/558**

(58) **Field of Classification Search** D9/682-694,
D9/516, 529-530, 537-546, 549-550, 552,
D9/554, 556-558, 565, 567, 574-575; 215/375,
215/379, 381-385; 220/660, 662, 665, 669,
220/675

See application file for complete search history.

(56) **References Cited**

U.S. PATENT DOCUMENTS

5,064,080 A	11/1991	Young et al.
D358,547 S	5/1995	Darr
5,507,402 A	4/1996	Clark
5,549,210 A	8/1996	Cheng
D379,154 S	5/1997	Cox
D381,272 S	7/1997	Coons
D383,677 S	9/1997	Darr
D385,796 S	11/1997	Richardson
5,732,838 A	3/1998	Young
D395,604 S	6/1998	Lecoule
5,772,056 A	6/1998	Slat
D395,828 S	7/1998	Lecoule
D398,855 S	9/1998	Ito
5,803,290 A	9/1998	Bongiorno
D401,860 S	12/1998	Mentasti Granelli
D409,904 S	5/1999	Clements et al.
5,906,285 A	5/1999	Slat
5,906,286 A *	5/1999	Matsuno et al. 215/375

D411,457 S	6/1999	Ruda et al.
D414,112 S	9/1999	Waggaman et al.
5,988,416 A	11/1999	Cheng et al.
D420,594 S	2/2000	Weinstein et al.
D423,939 S	5/2000	Ogg
D424,948 S	5/2000	Ullmo
D427,071 S	6/2000	Williams et al.
D427,518 S	7/2000	Steward
D429,166 S	8/2000	Ogg
D430,036 S	8/2000	Steward et al.
D431,780 S	10/2000	DeSwarte et al.
D432,018 S	10/2000	Steward
D432,020 S	10/2000	Steward et al.
D432,430 S	10/2000	Steward et al.
D447,061 S	8/2001	Peek
D453,686 S	2/2002	Petursdottir
D455,964 S	4/2002	Patterson
D466,023 S	11/2002	Eickmeier
D466,415 S	12/2002	Reis
6,666,001 B2	12/2003	Mero
D491,071 S	6/2004	Degeyter et al.
D496,280 S	9/2004	Mero et al.

(Continued)

Primary Examiner—Carol Rademaker

(74) *Attorney, Agent, or Firm*—Cox Smith Matthews Incorporated

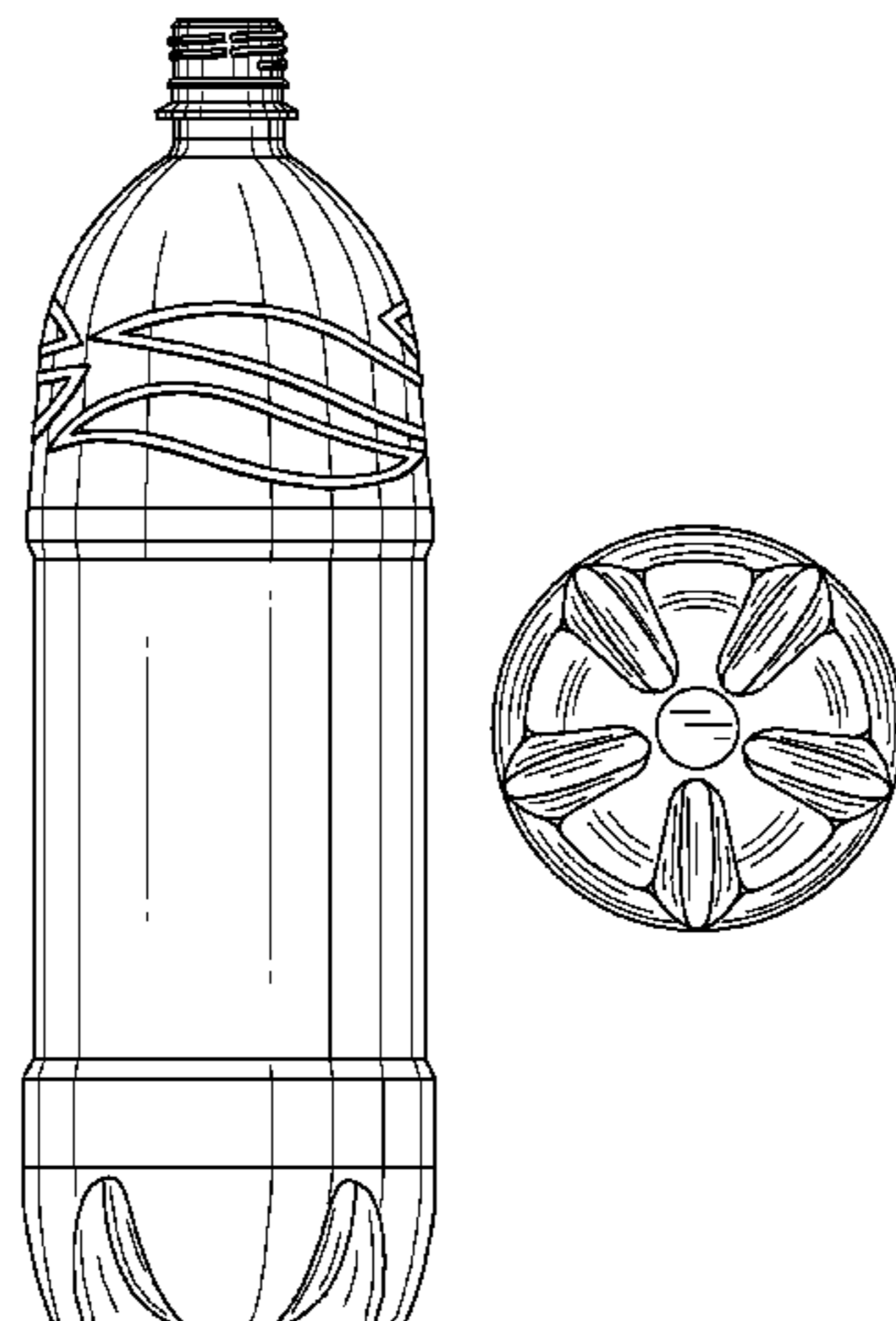
(57) **CLAIM**

The ornamental design for a bottle, as shown and described.

DESCRIPTION

FIG. 1 is a perspective view showing our new design;
FIG. 2 is a front elevational view thereof;
FIG. 3 is a right elevational view thereof;
FIG. 4 is a rear elevational view thereof;
FIG. 5 is a left elevational view thereof;
FIG. 6 is a top plan view thereof; and,
FIG. 7 is a bottom plan view thereof.

1 Claim, 4 Drawing Sheets



US D609,108 S

Page 2

U.S. PATENT DOCUMENTS

D497,312 S	10/2004	Anderson et al.	D559,699 S	1/2008	Dellevigne
D500,672 S	1/2005	Fleck	D560,500 S	1/2008	Venkataraman et al.
6,857,531 B2	2/2005	Slat et al.	D561,598 S	2/2008	Dellevigne
D503,341 S	3/2005	Delmotte	D564,359 S	3/2008	Trollope et al.
D503,625 S	4/2005	Nelson et al.	D564,896 S	3/2008	Trollope et al.
D509,436 S	9/2005	Mero et al.	D564,897 S	3/2008	Trollope et al.
D509,740 S	9/2005	Collins et al.	D565,961 S	4/2008	Dellevigne
D509,741 S	9/2005	Collins et al.	D568,159 S	5/2008	Dellevigne
D509,746 S	9/2005	Mero et al.	D568,166 S *	5/2008	Dellevigne D9/552 X
D510,025 S	9/2005	Venkataraman et al.	D570,219 S	6/2008	Blasko
D510,026 S	9/2005	Nelson et al.	D570,224 S *	6/2008	Dellevigne D9/550
D512,322 S	12/2005	Collins et al.	D570,693 S	6/2008	Venkataraman et al.
D512,323 S	12/2005	Collins et al.	D571,667 S	6/2008	Bourne
D515,933 S	2/2006	Mero et al.	D571,668 S *	6/2008	Dellevigne D9/550
D519,384 S	4/2006	Voss et al.	D576,042 S	9/2008	Dellevigne
D548,599 S	8/2007	Blasko	D576,049 S *	9/2008	Trollope et al. D9/552 X
D549,104 S	8/2007	Dimmel et al.	D587,119 S *	2/2009	Meillerais D9/520
D556,044 S	11/2007	Hirata	D587,120 S *	2/2009	Meillerais D9/538 X
D556,592 S	12/2007	Gage et al.	D591,156 S *	4/2009	George et al. D9/516
D558,582 S	1/2008	Venkataraman et al.	2007/0257003 A1	11/2007	Colloud
			2008/0093329 A1 *	4/2008	Mooney 215/379

* cited by examiner

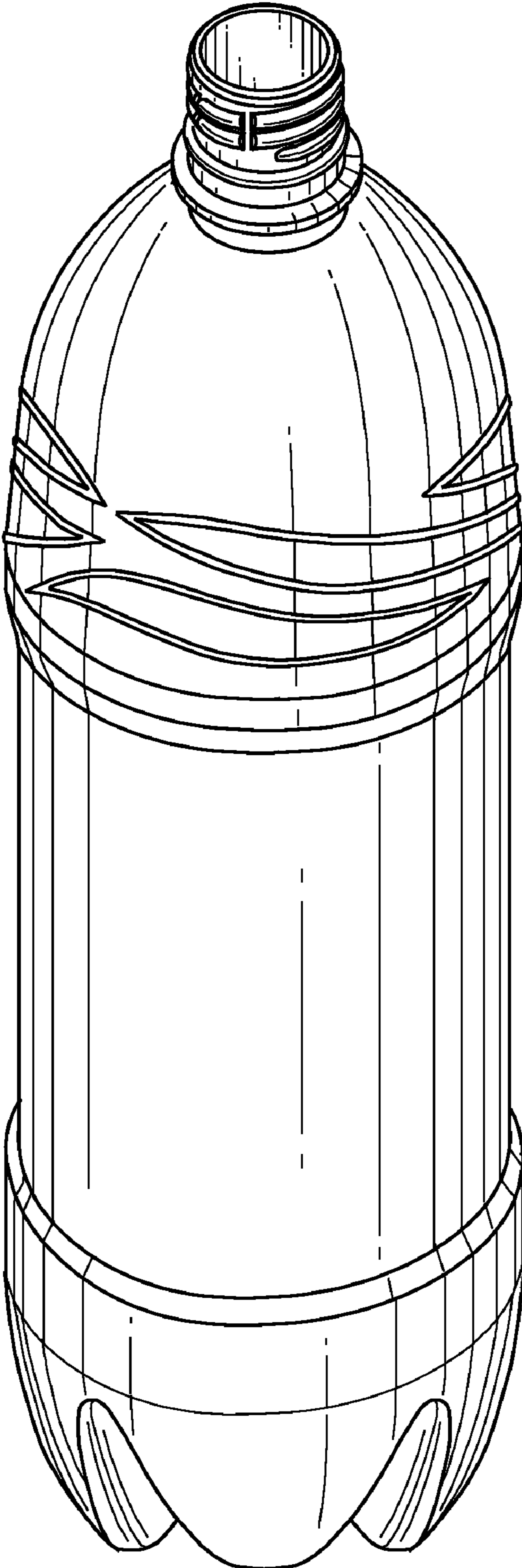


Fig. 1

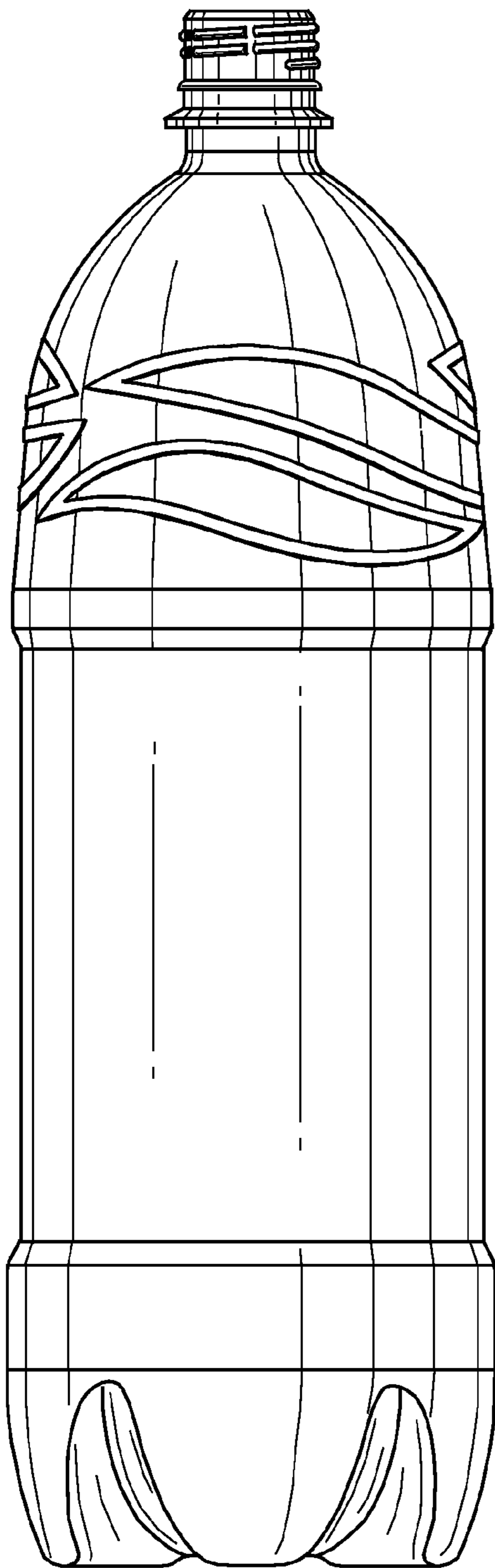


Fig. 2

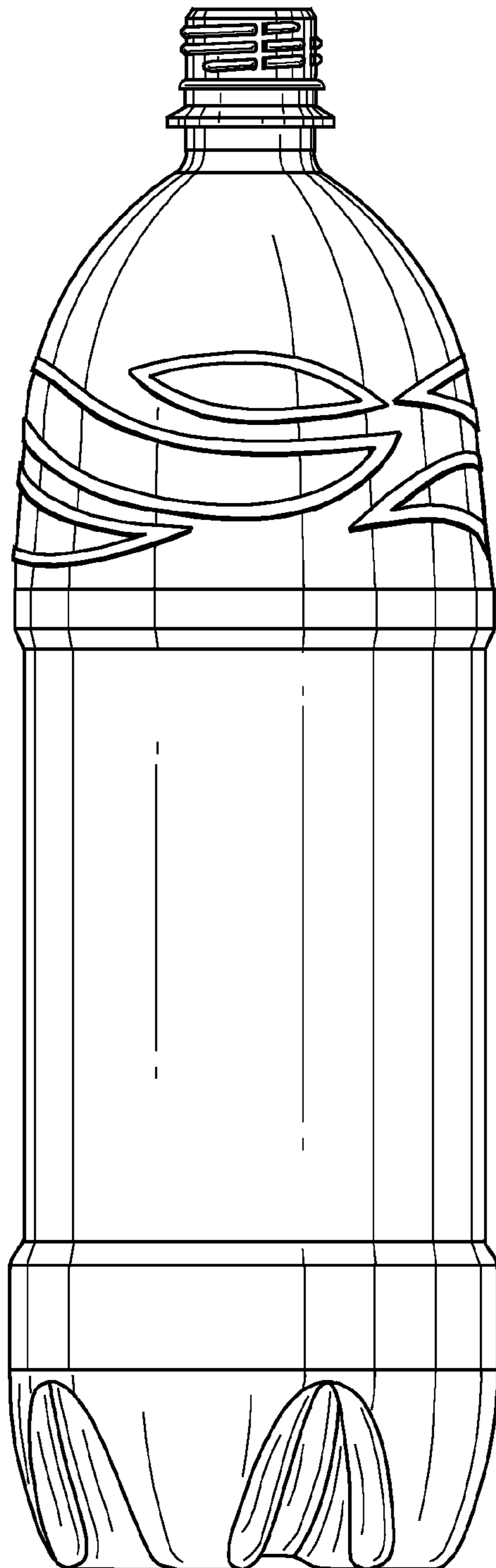


Fig. 3

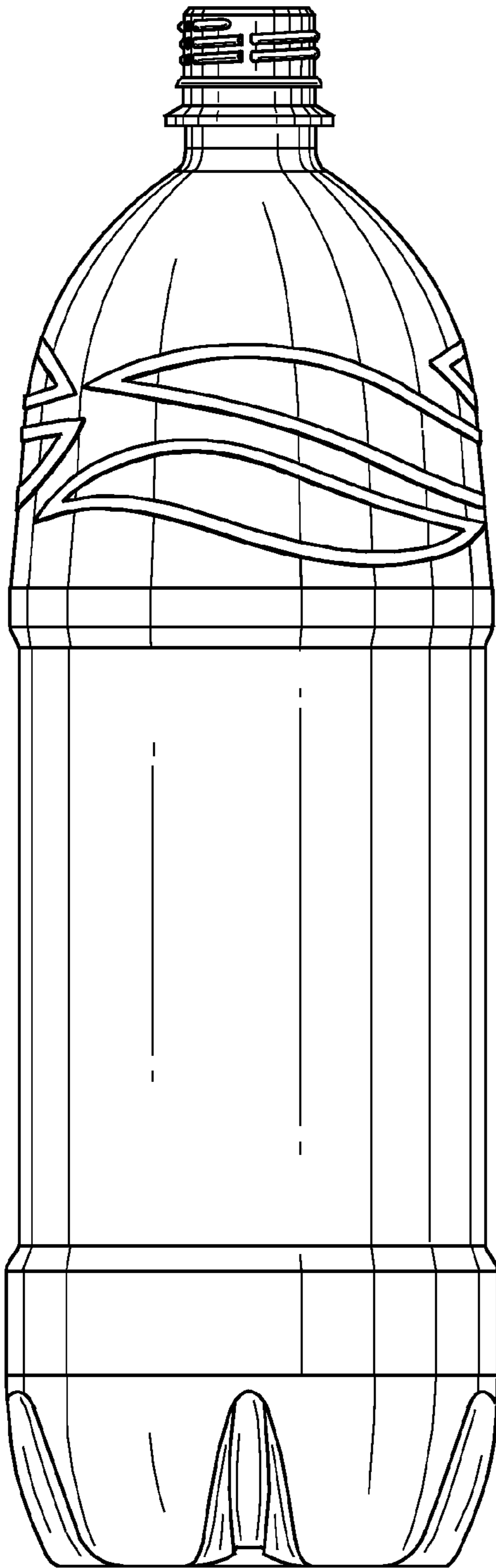


Fig. 4

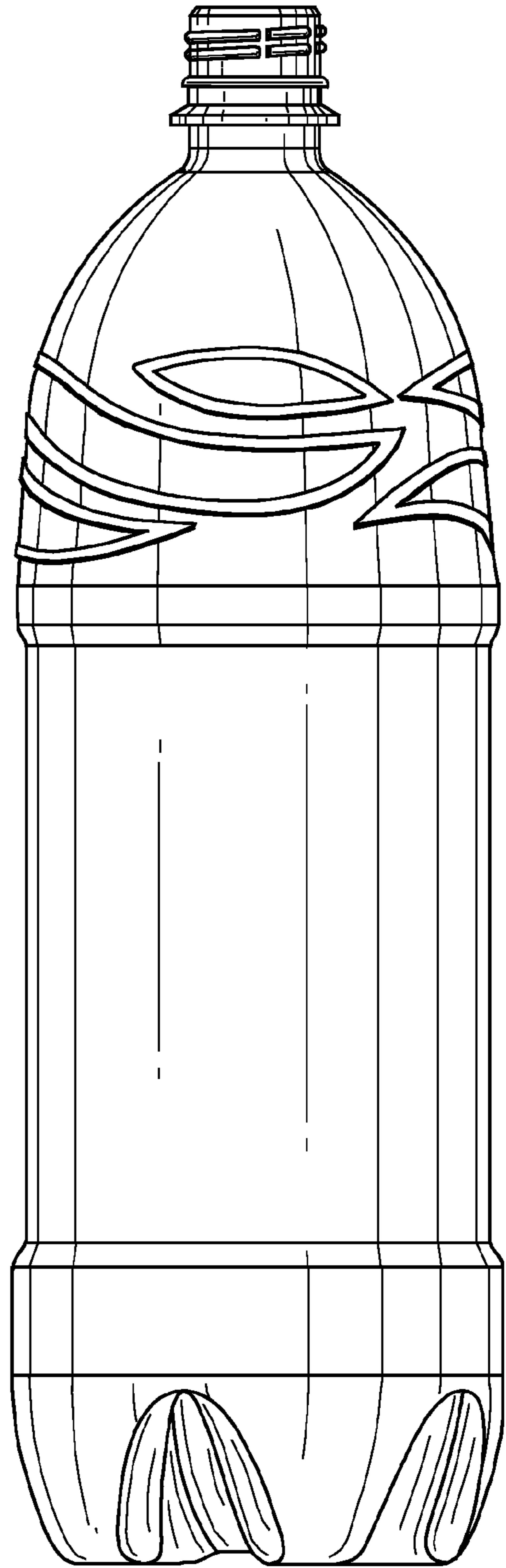


Fig. 5

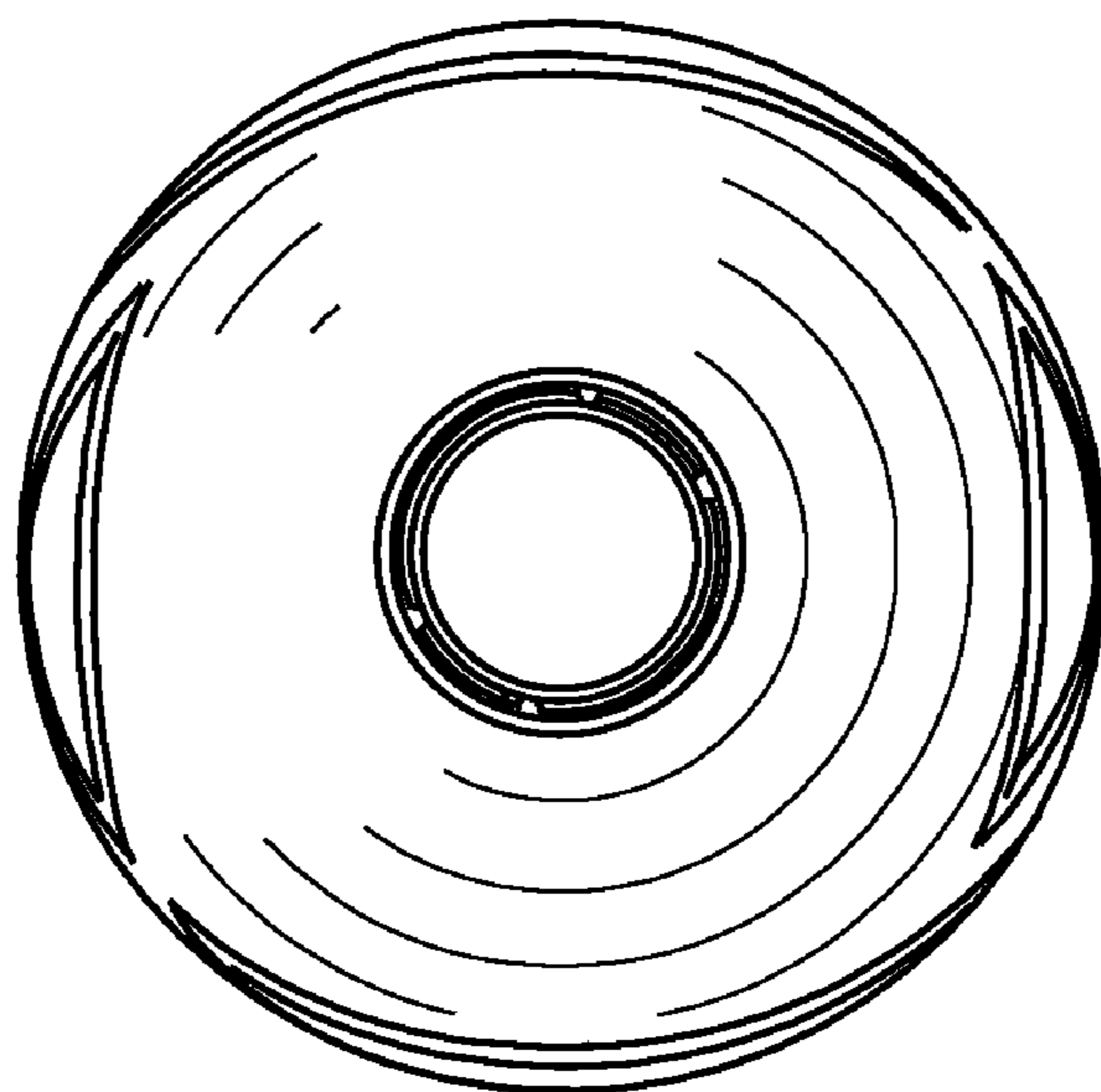


Fig. 6

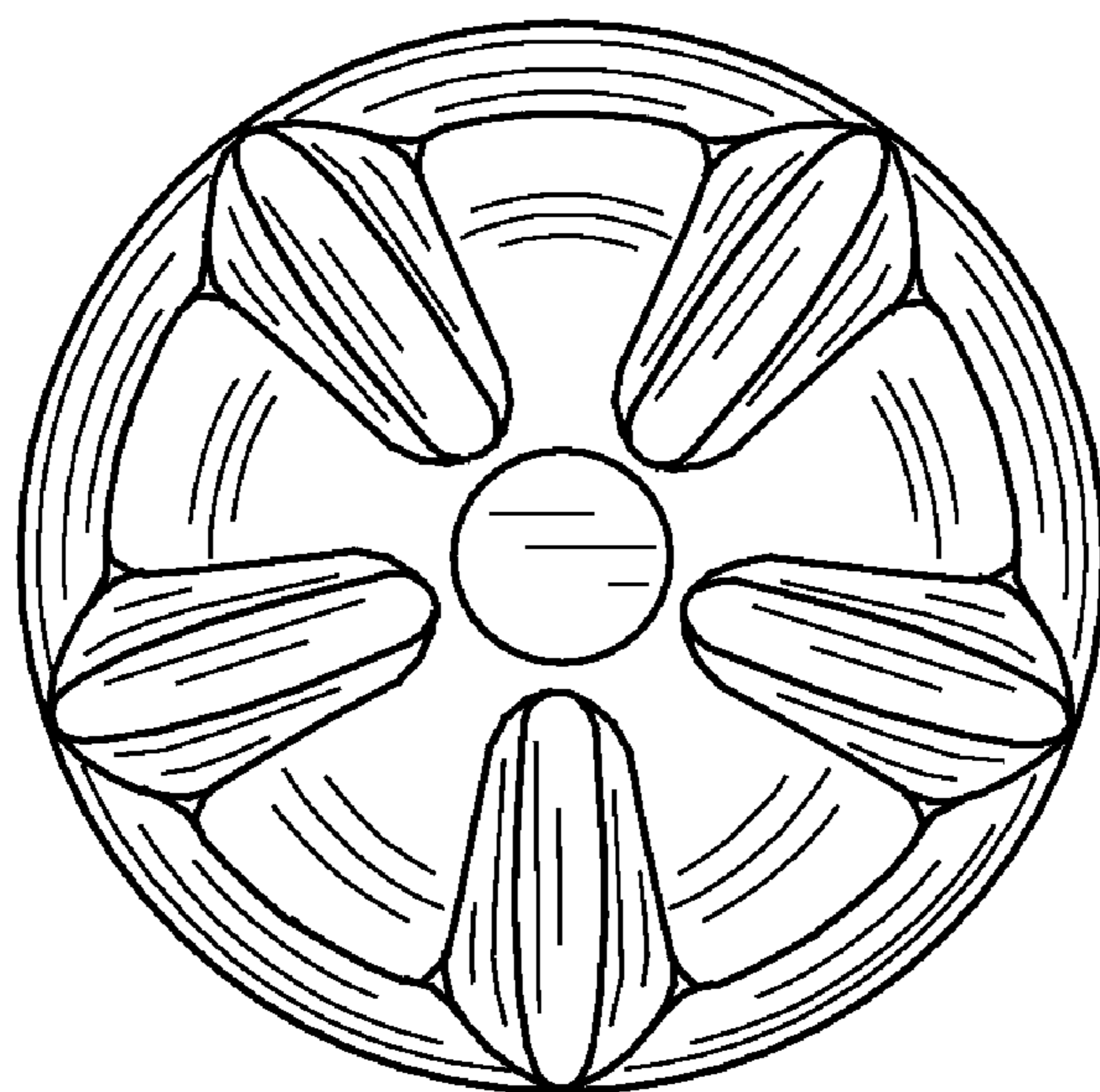


Fig. 7