



US00D609102S

(12) **United States Design Patent**
Matlin

(10) **Patent No.:** **US D609,102 S**
(45) **Date of Patent:** **** Feb. 2, 2010**

(54) **SHREDDER LUBRICANT CONTAINER**

(75) Inventor: **Tai Hoon K. Matlin**, Round Lake Beach, IL (US)

(73) Assignee: **Fellowes Inc.**, Itasca, IL (US)

(**) Term: **14 Years**

(21) Appl. No.: **29/329,693**

(22) Filed: **Dec. 19, 2008**

(51) **LOC (9) Cl.** **09-01**

(52) **U.S. Cl.** **D9/531; D9/530; D9/527**

(58) **Field of Classification Search** D9/516,
D9/520, 522, 523, 525, 526, 527, 528, 530,
D9/531, 536, 542, 560, 571, 572, 575; 215/381-385,
215/396, 398

See application file for complete search history.

(56) **References Cited**

U.S. PATENT DOCUMENTS

D205,166 S *	6/1966	Price	D9/527
D205,479 S *	8/1966	Carto	D9/527
D211,928 S *	8/1968	Burnett	D9/523
D222,434 S *	10/1971	Finkel	D9/527
D224,616 S *	8/1972	Schieser et al.	D9/527
D224,639 S *	8/1972	Schieser et al.	D9/527
D234,019 S *	12/1974	D'Alo	D9/523
D248,830 S *	8/1978	Anderson	D9/523
D296,668 S *	7/1988	Stavish	D9/520
4,757,949 A	7/1988	Horton		

(Continued)

FOREIGN PATENT DOCUMENTS

WO 2006036370 A2 4/2006

Primary Examiner—Stella M Reid

Assistant Examiner—Elizabeth J Oswecki

(74) *Attorney, Agent, or Firm*—Pillsbury Winthrop Shaw Pittman LLP

(57) **CLAIM**

The ornamental design for a shredder lubricant container, as shown and described.

DESCRIPTION

FIG. 1 is a right side perspective view of a shredder lubricant container embodying a first aspect of our new design;

FIG. 2 is a front elevation view of the shredder lubricant container of FIG. 1;

FIG. 3 is rear elevation view of the shredder lubricant container of FIG. 1;

FIG. 4 is a right profile view of the shredder lubricant container of FIG. 1;

FIG. 5 is a left profile view of the shredder lubricant container of FIG. 1;

FIG. 6 is a top plan view of the shredder lubricant container of FIG. 1;

FIG. 7 is a bottom plan view of the shredder lubricant container of FIG. 1;

FIG. 8 is a right side perspective view of a shredder lubricant container embodying a second aspect of our new design;

FIG. 9 is a front elevation view of the shredder lubricant container of FIG. 8;

FIG. 10 is rear elevation view of the shredder lubricant container of FIG. 8;

FIG. 11 is a right profile view of the shredder lubricant container of FIG. 8;

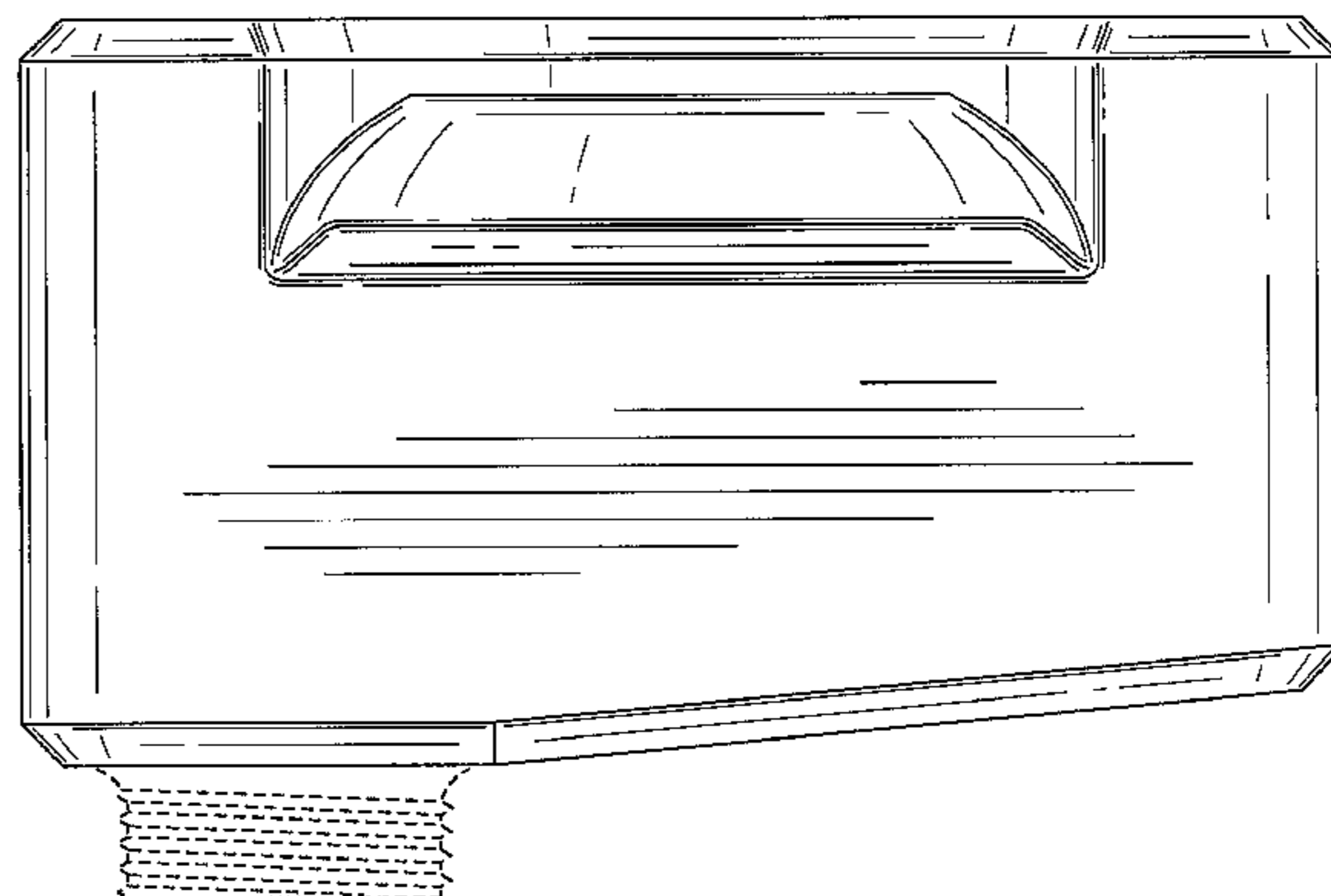
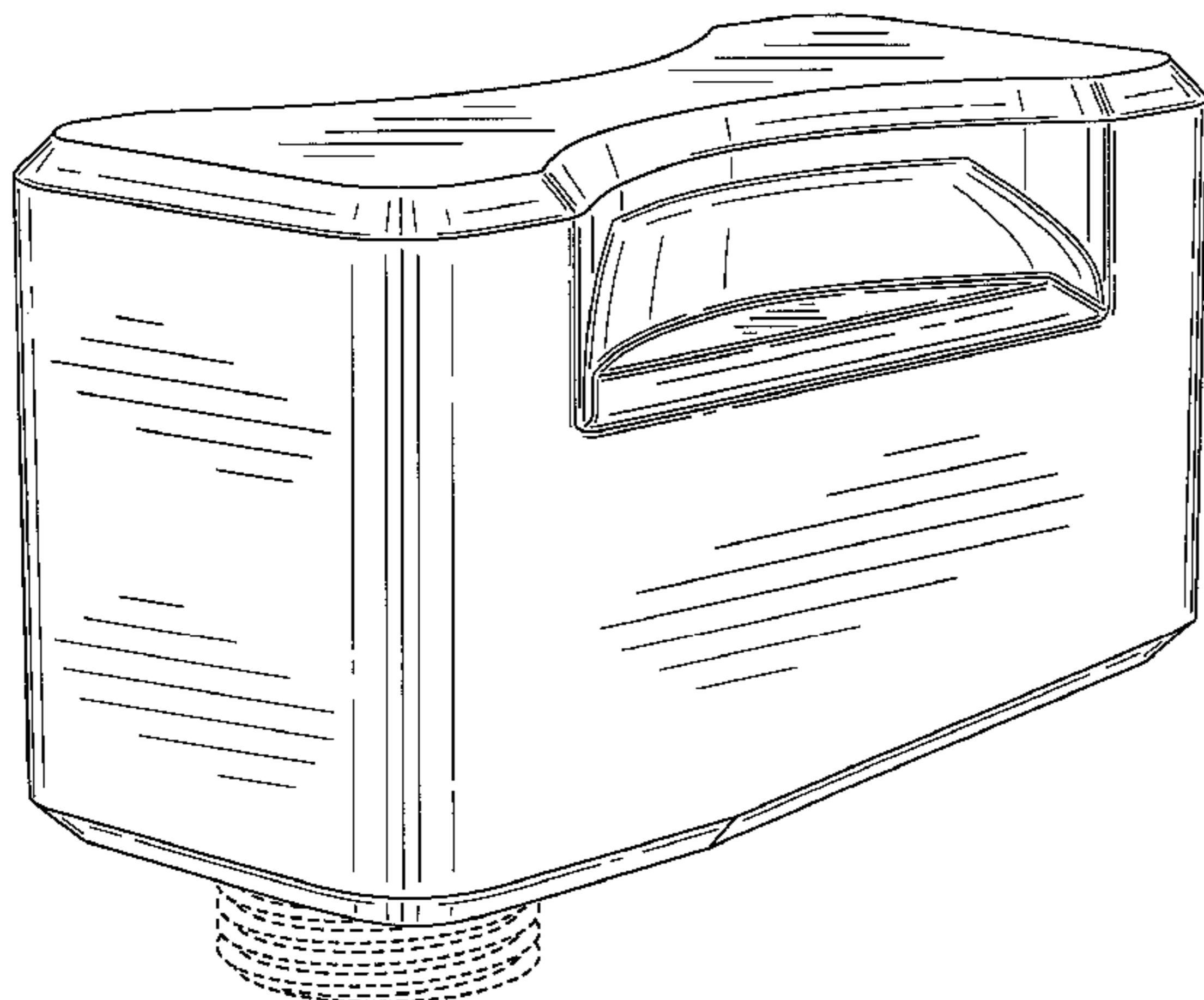
FIG. 12 is a left profile view of the shredder lubricant container of FIG. 8;

FIG. 13 is a top plan view of the shredder lubricant container of FIG. 8; and,

FIG. 14 is a bottom plan view of the shredder lubricant container of FIG. 8.

The subject matter shown in broken lines forms no part of the claim.

1 Claim, 14 Drawing Sheets



US D609,102 S

Page 2

U.S. PATENT DOCUMENTS

D304,296 S *	10/1989	Wilson et al.	D9/526	D514,940 S *	2/2006	Darr et al.	D9/527
D305,504 S *	1/1990	Fischer et al.	D9/520	D528,425 S *	9/2006	Van Dorin et al.	D9/527
D331,516 S *	12/1992	Waring	D6/545	7,166,561 B2	1/2007	Allen	
D332,544 S *	1/1993	Steiner et al.	D6/545	D539,653 S *	4/2007	James et al.	D9/526
5,186,398 A	2/1993	Vigneaux, Jr.		D540,686 S *	4/2007	James et al.	D9/526
D358,548 S *	5/1995	Platte	D9/527	D547,662 S *	7/2007	Hankins et al.	D9/530
D358,660 S *	5/1995	Swift	D24/224	D559,111 S *	1/2008	Reimann et al.	D9/531
D360,943 S *	8/1995	Lafond	D24/122	2006/0016919 A1	1/2006	Castronovo	
5,494,229 A	2/1996	Rokos et al.		2006/0243631 A1	11/2006	Duke	
D376,208 S *	12/1996	Rasmussen et al.	D24/224	2007/0080252 A1	4/2007	Pierce et al.	
D451,394 S *	12/2001	Studer	D9/521	2007/0164138 A1	7/2007	Allen	
D454,789 S *	3/2002	Harvey et al.	D9/527	2007/0221767 A1	9/2007	Matlin	
D462,621 S *	9/2002	DeKoning et al.	D9/560	2007/0246580 A1	10/2007	Matlin et al.	

* cited by examiner

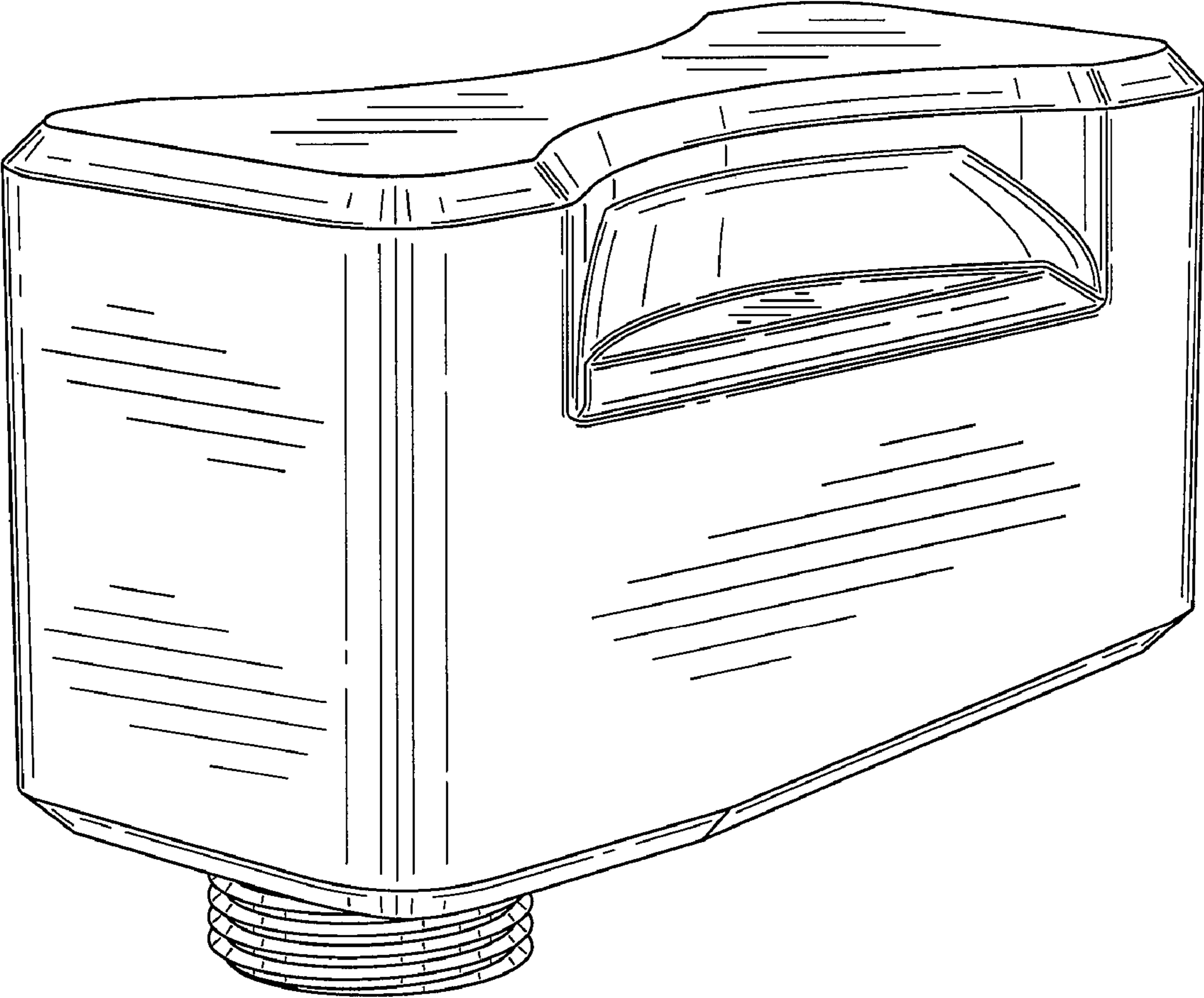


FIG. 1

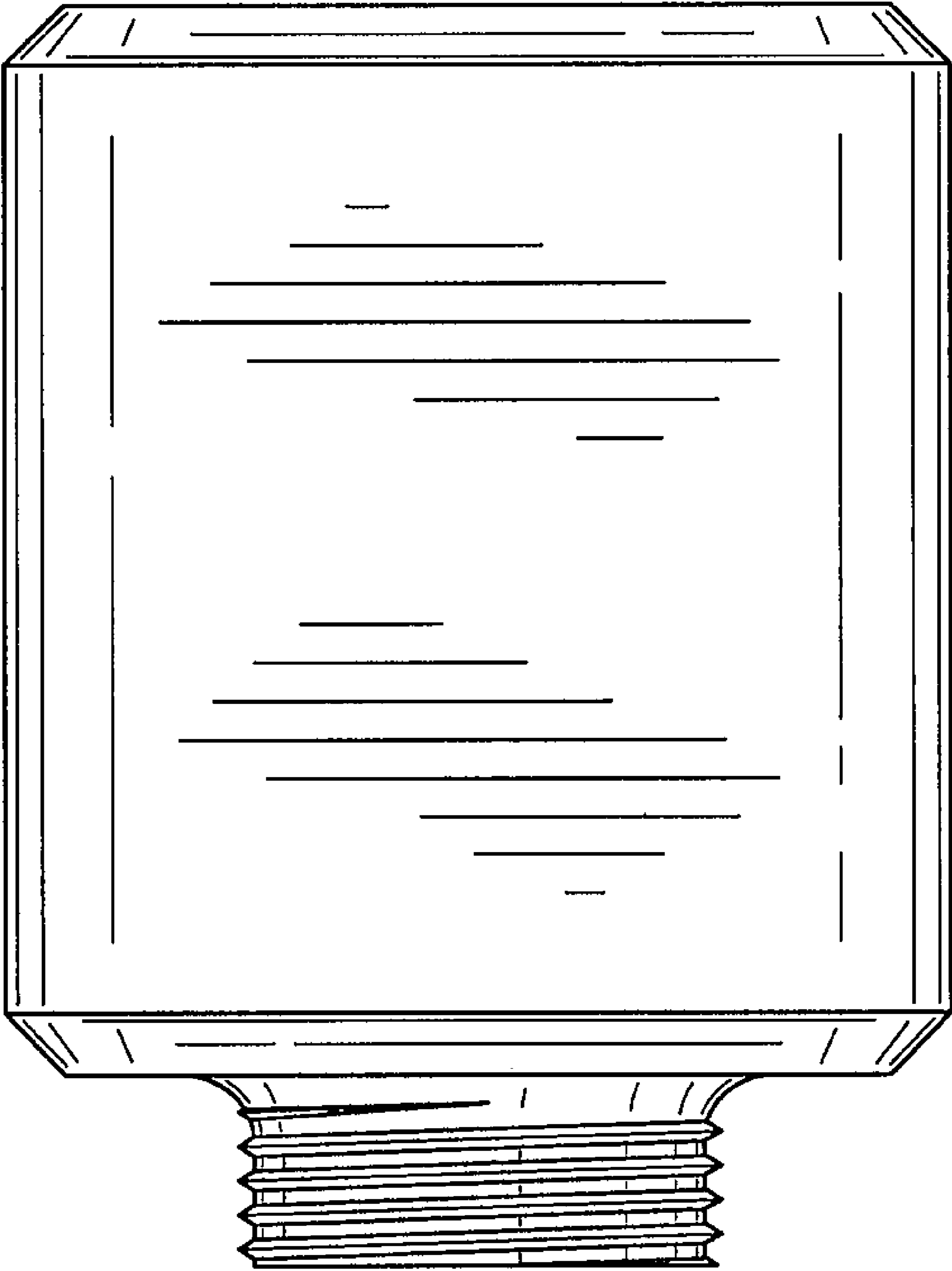


FIG. 2

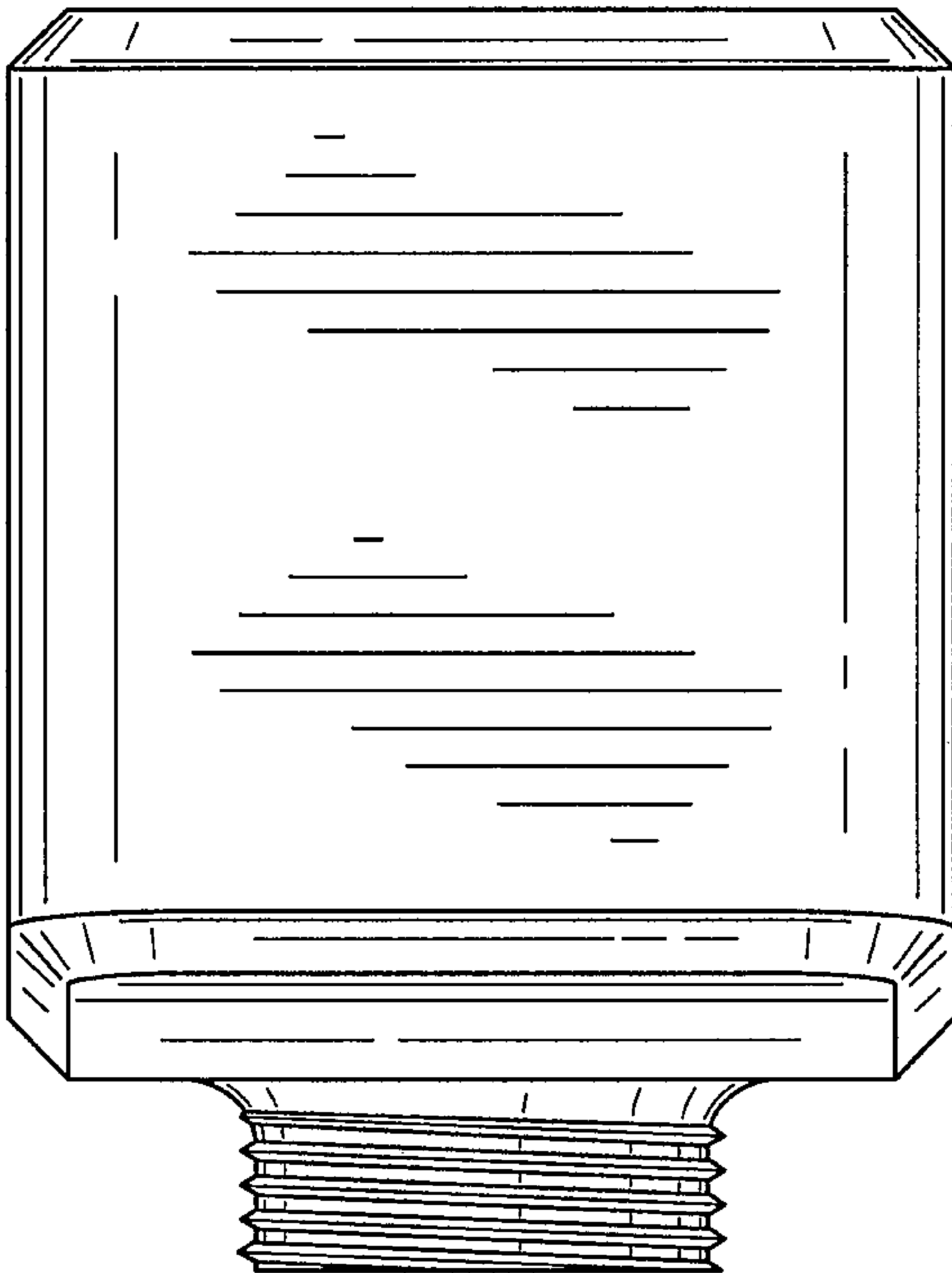


FIG. 3

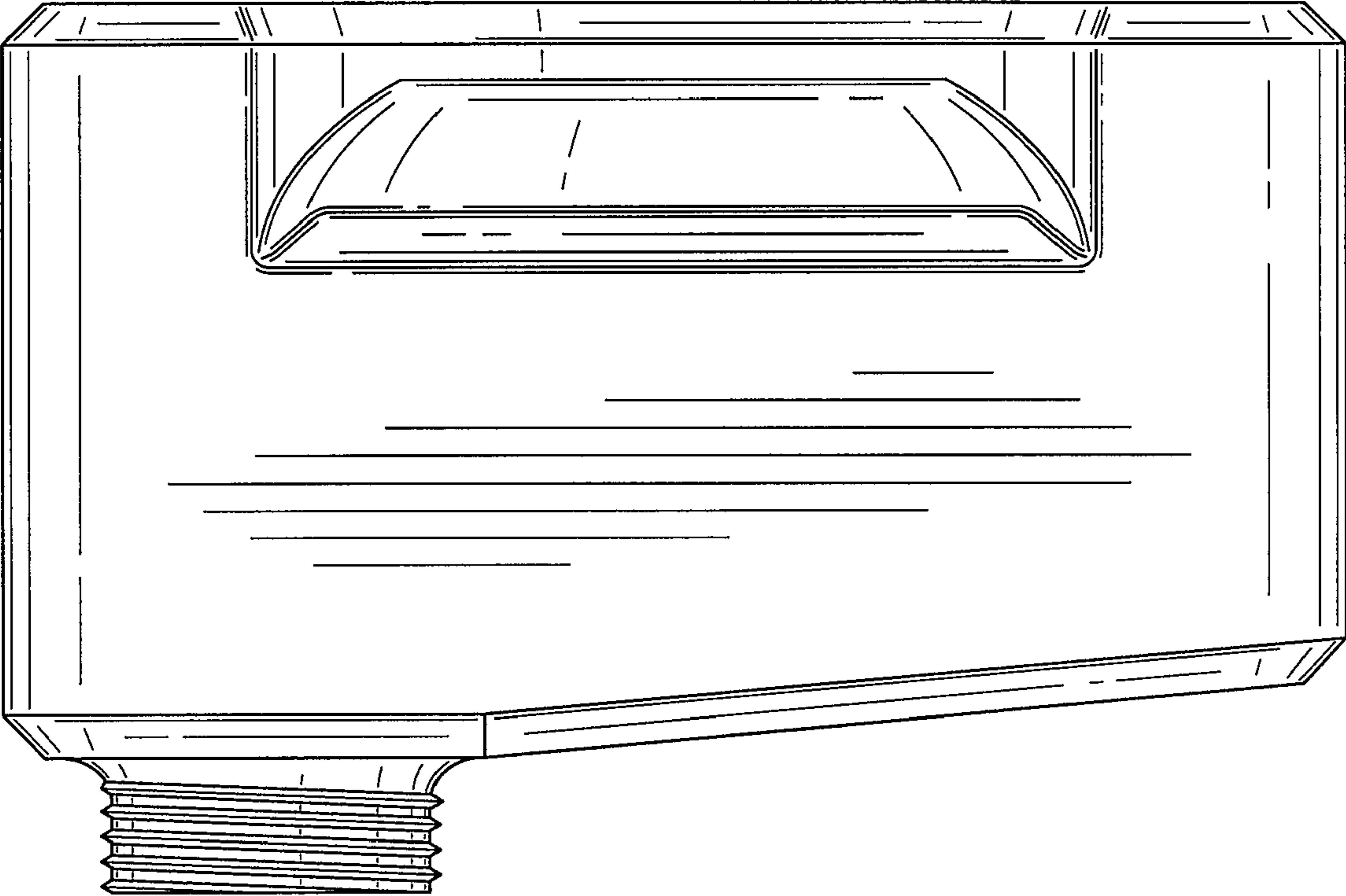


FIG. 4

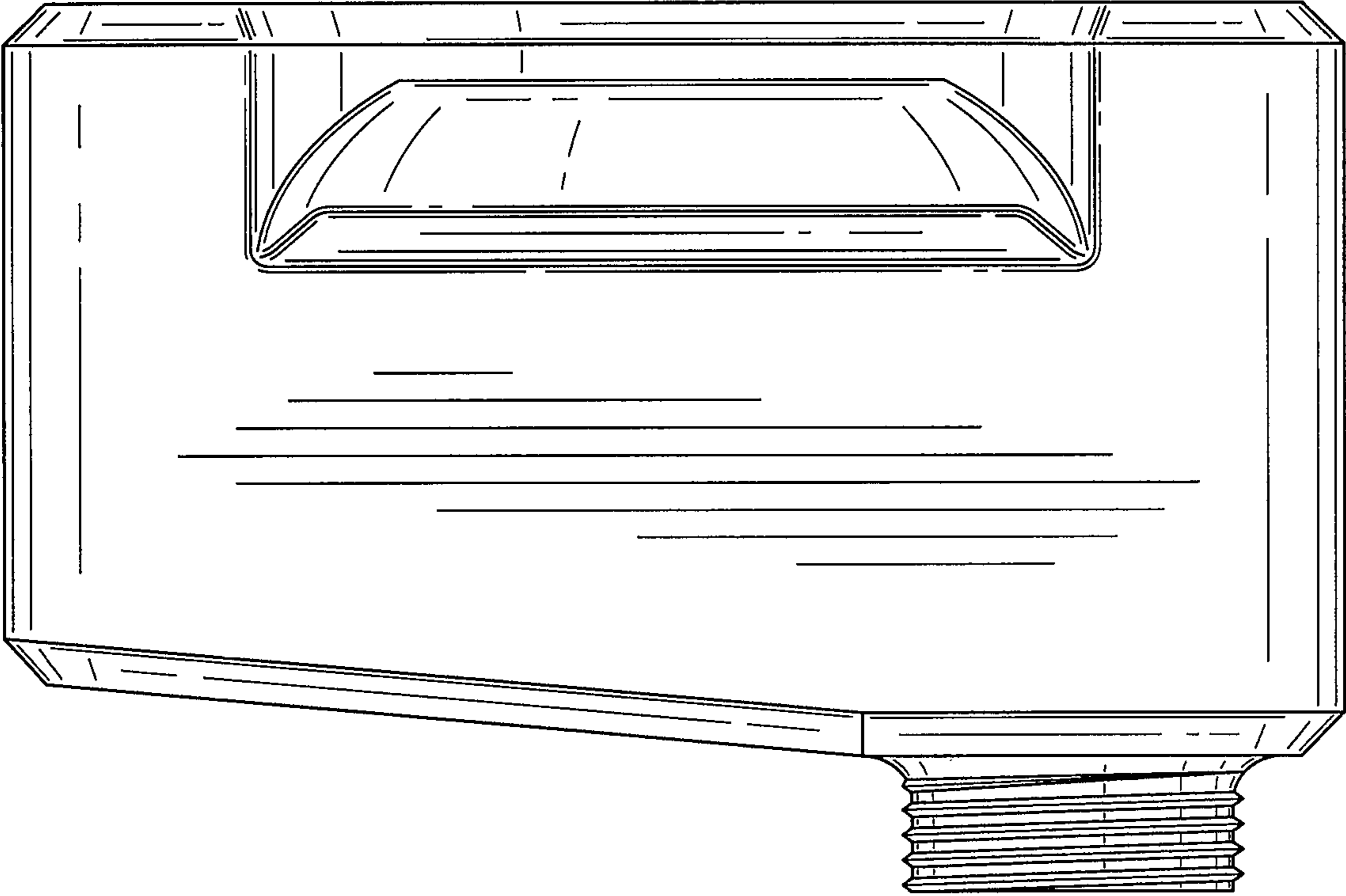


FIG. 5

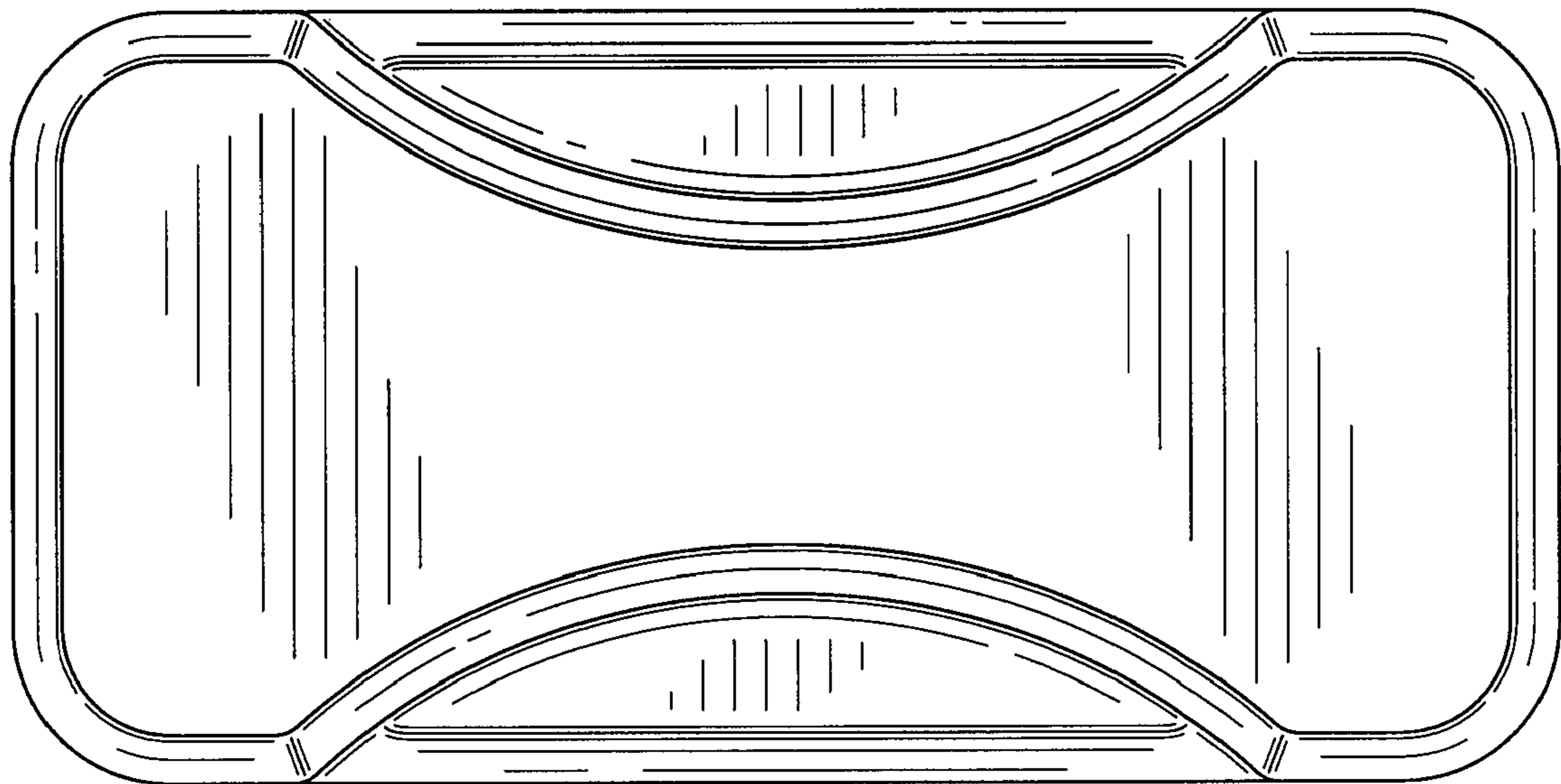


FIG. 6

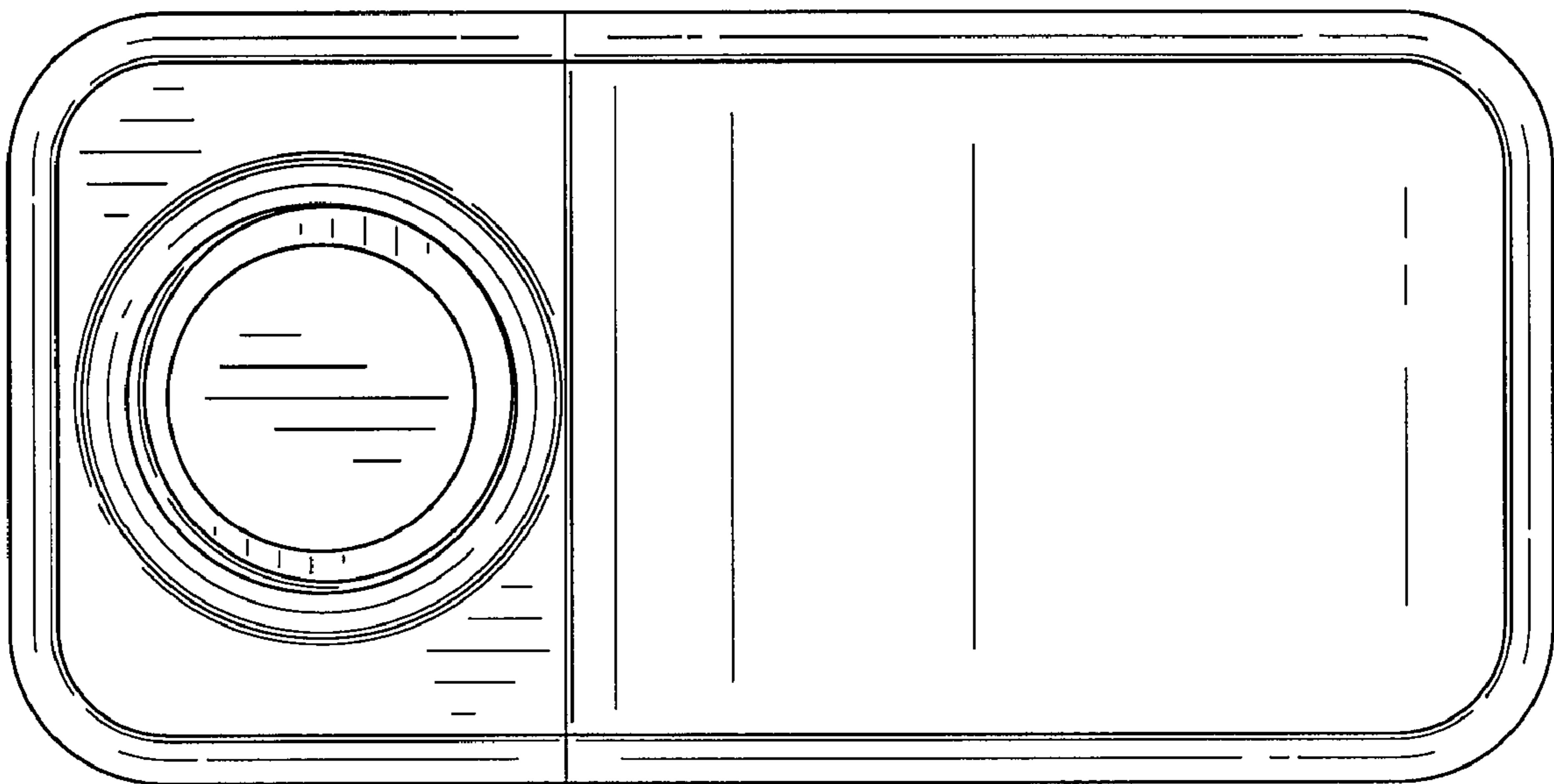


FIG. 7

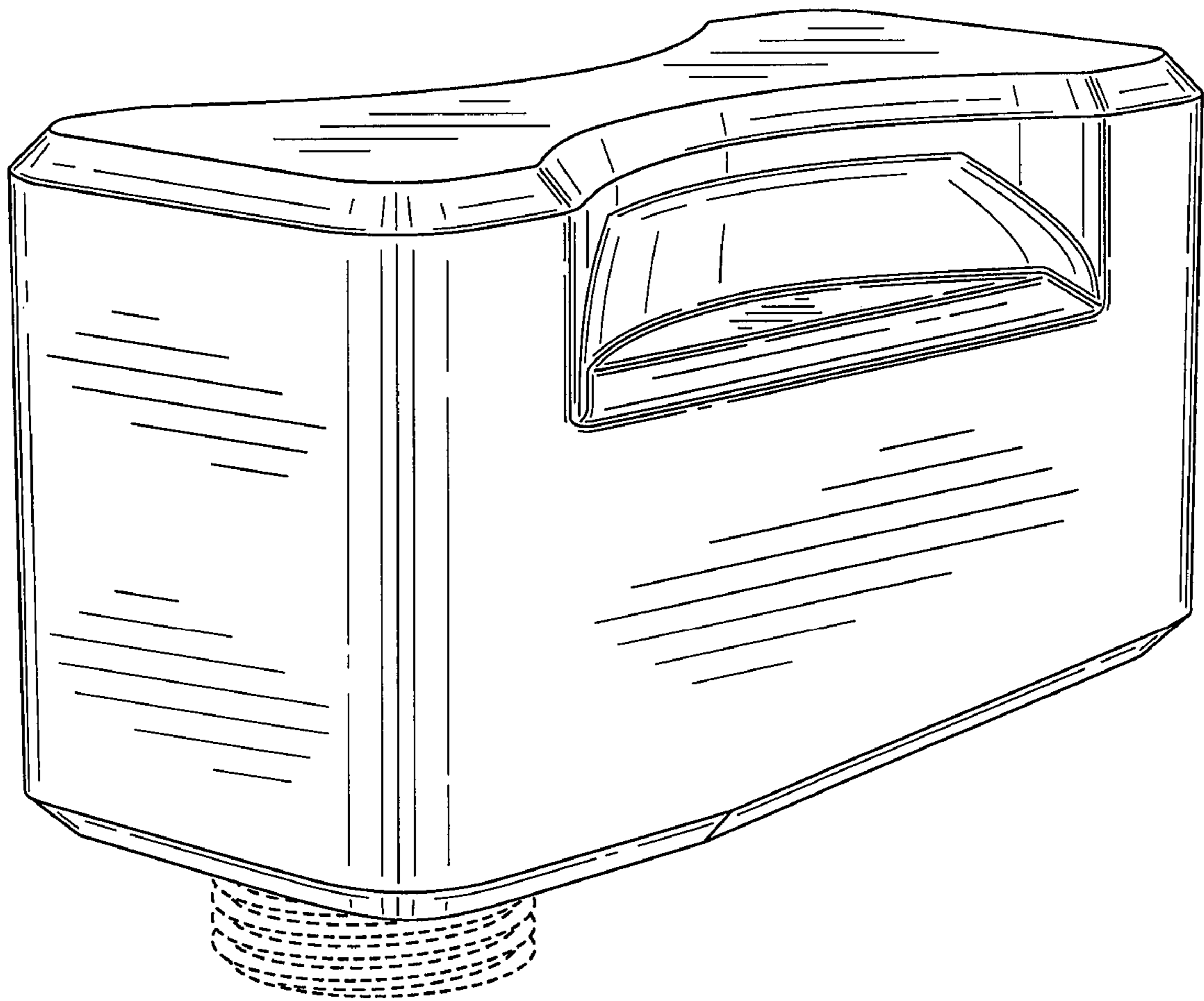


FIG. 8

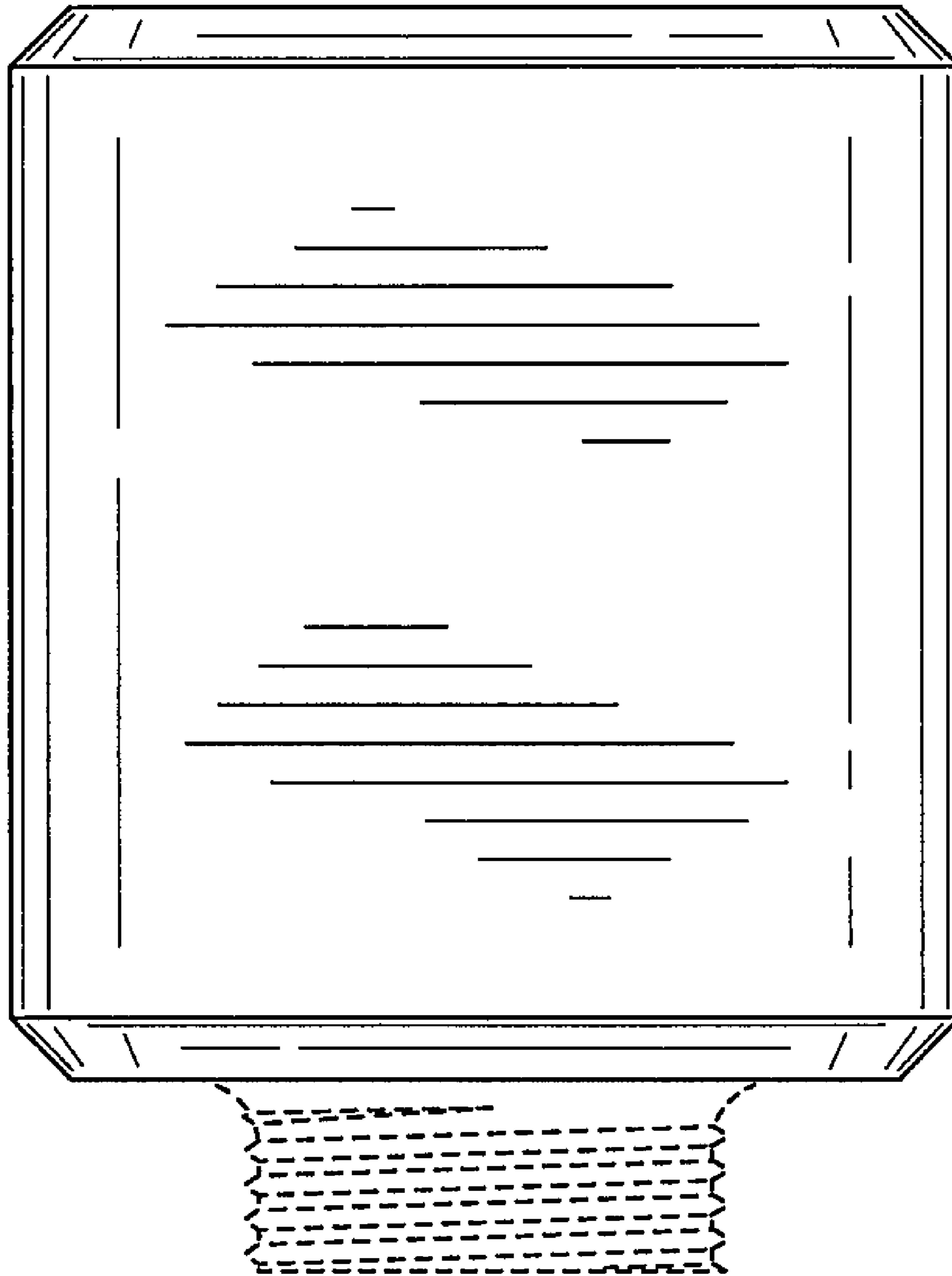


FIG. 9

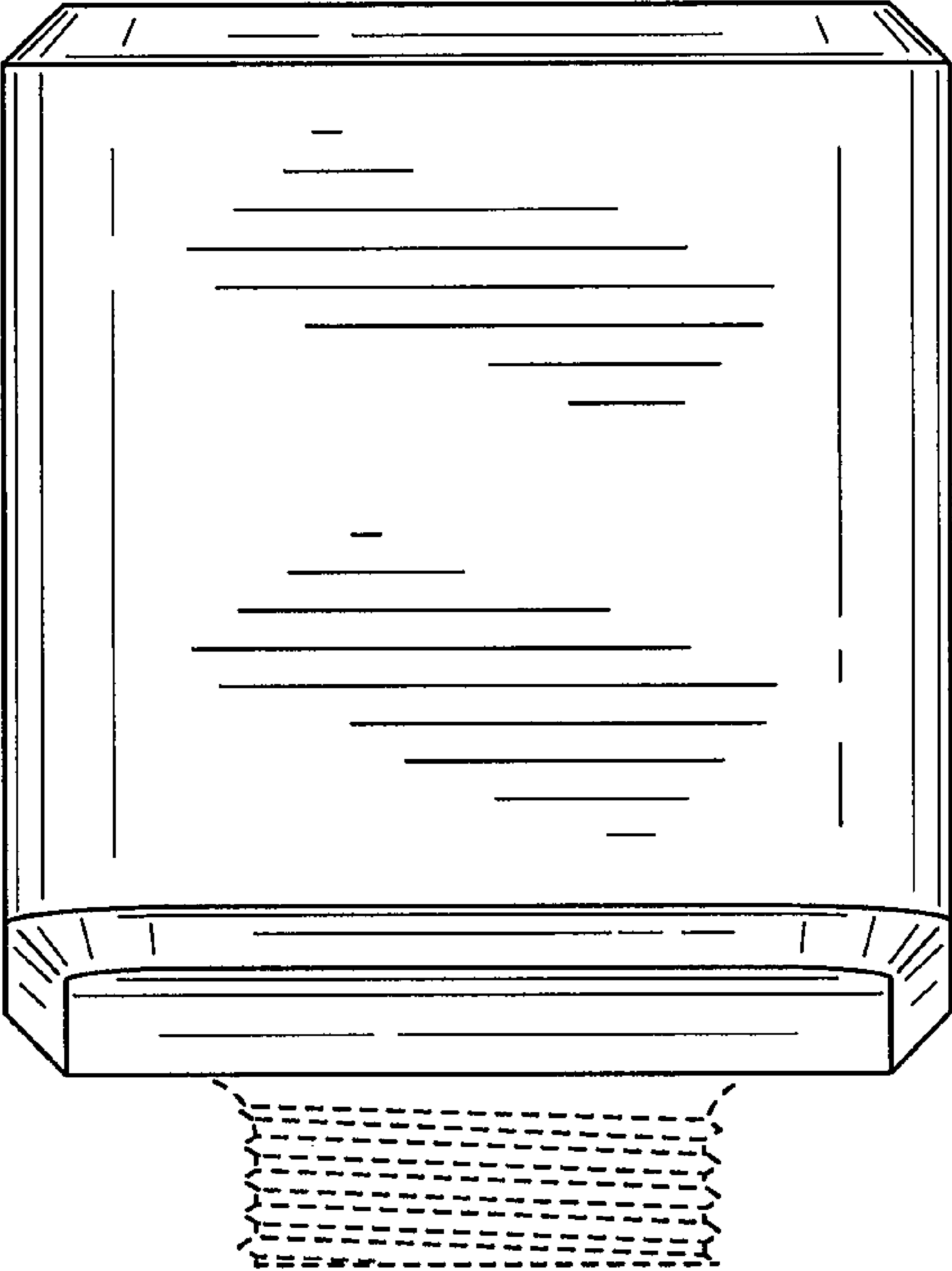


FIG. 10

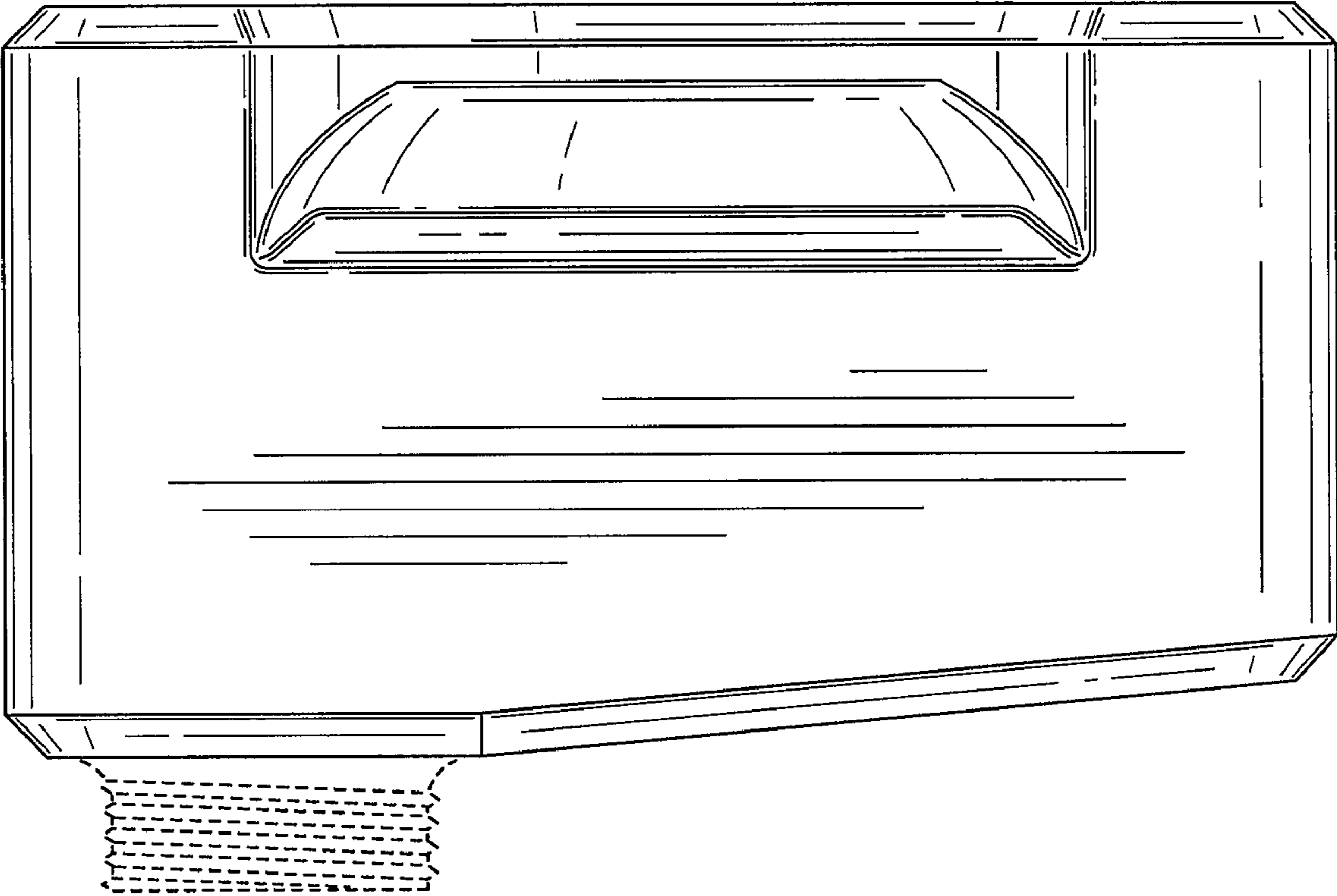


FIG. 11

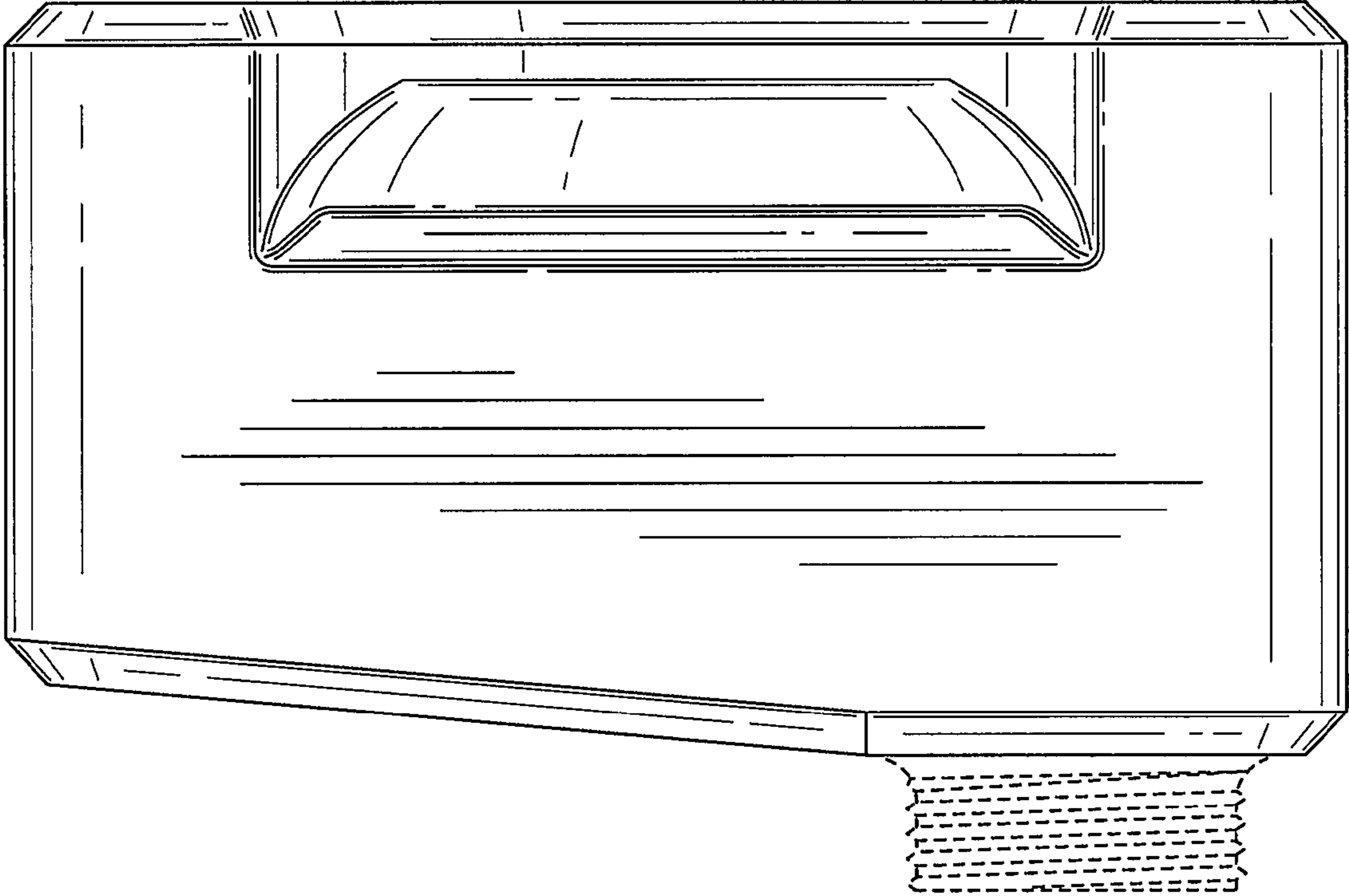


FIG. 12

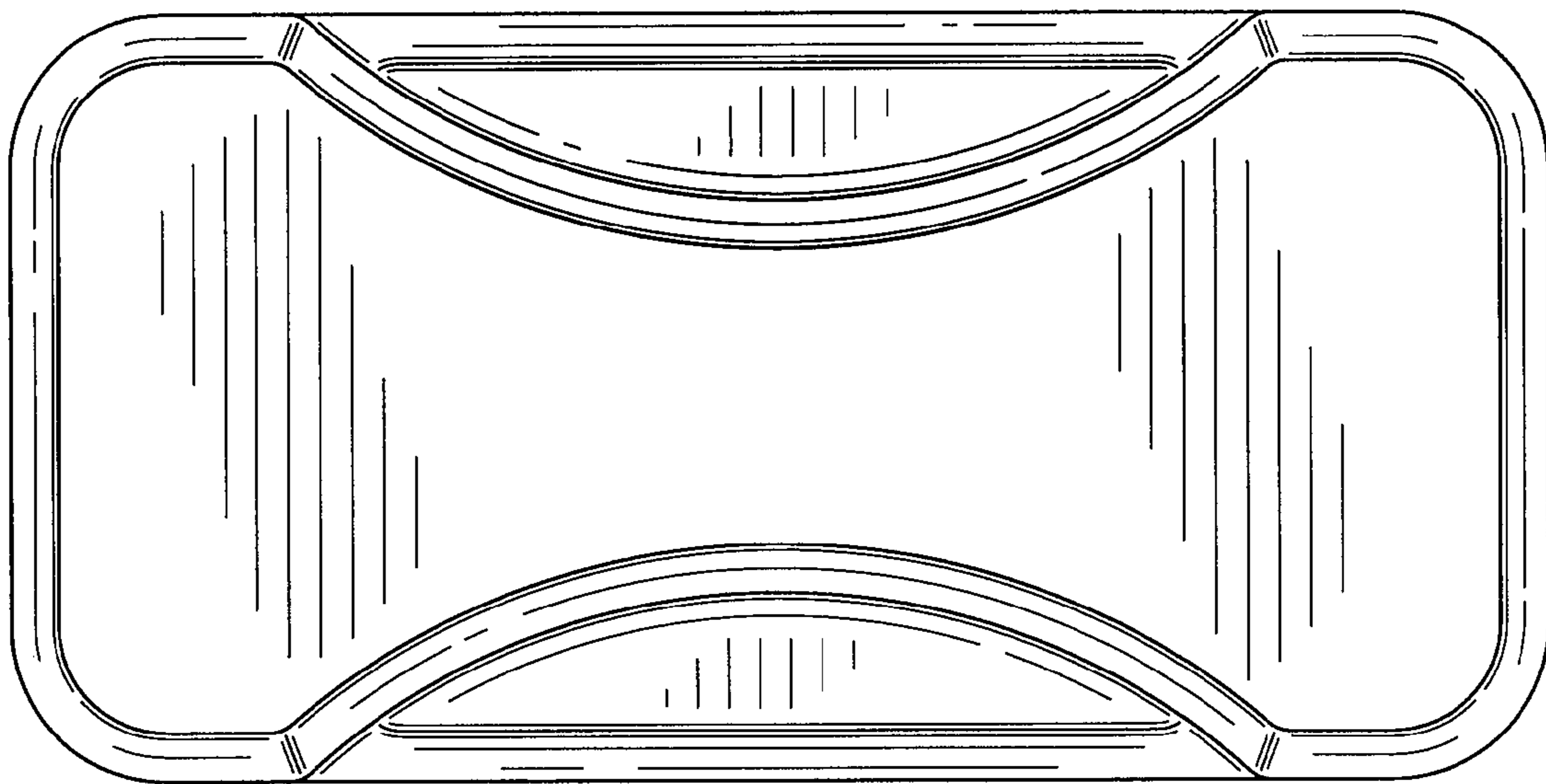


FIG. 13

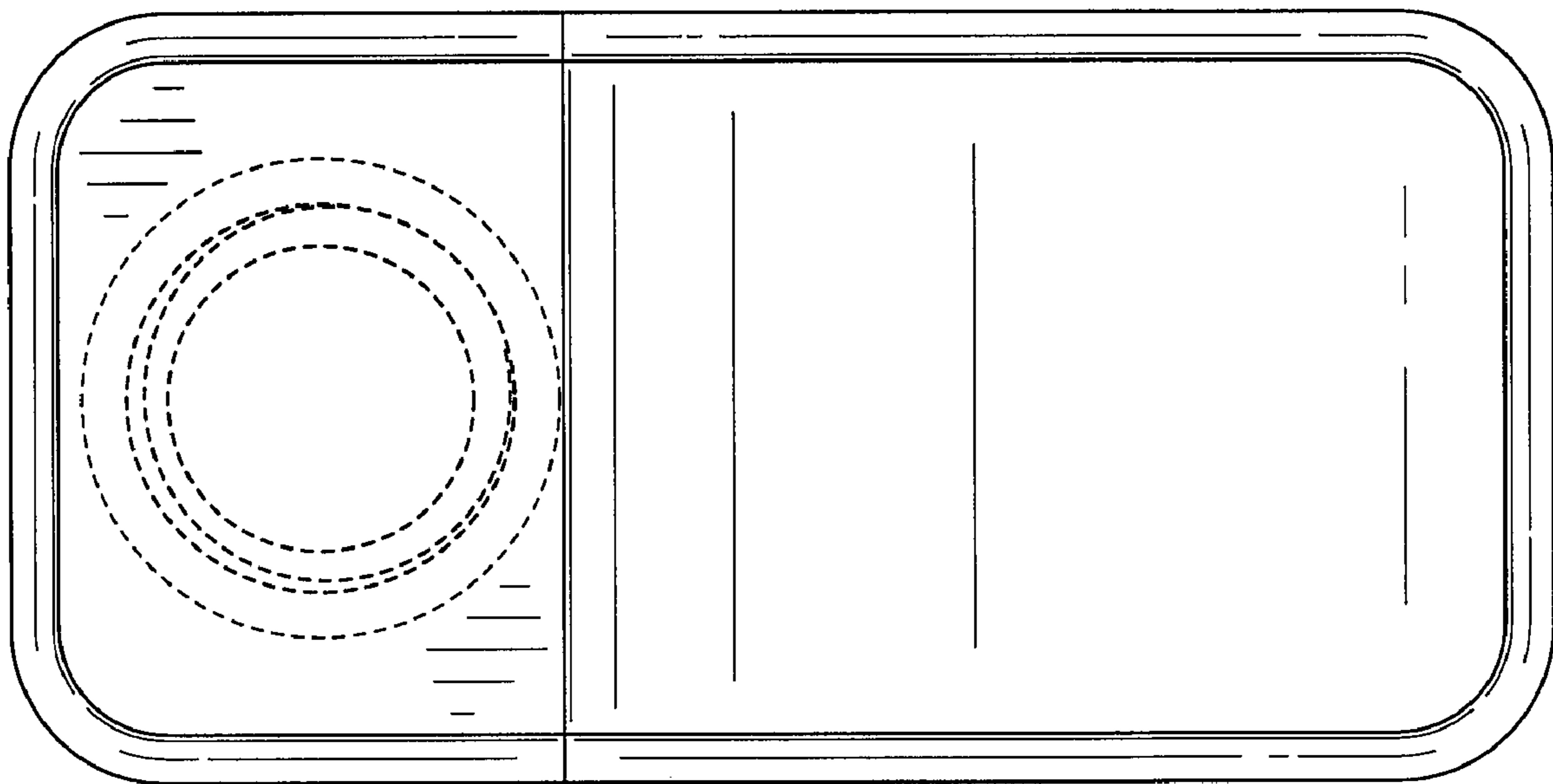


FIG. 14