

US00D609093S

(12) **United States Design Patent**  
**Wisniewski et al.**

(10) **Patent No.:** **US D609,093 S**

(45) **Date of Patent:** **\*\* Feb. 2, 2010**

(54) **DISPENSING CLOSURE**

(75) Inventors: **John M. Wisniewski**, Wauwatosa, WI (US); **Anne F. Stecker**, Lake Geneva, WI (US)

(73) Assignee: **Seaquist Closures L.L.C.**, Mukwonago, WI (US)

(\*\*) Term: **14 Years**

(21) Appl. No.: **29/315,742**

(22) Filed: **Jul. 20, 2009**

(51) **LOC (9) Cl.** ..... **09-07**

(52) **U.S. Cl.** ..... **D9/449; D9/454**

(58) **Field of Classification Search** ..... D9/556, D9/529, 454, 453, 452, 449, 443, 439, 504, D9/450, 447, 446, 730-732, 435; D8/312; D7/392.1; D23/261; D14/217; D12/197; 229/123.1; 222/541.2, 575, 566, 556, 552, 222/519, 494, 480, 479, 212, 565; 220/288, 220/810, 781; 215/350, 344, 295, 270, 256, 215/252, 218, 216, 209, 206, 235, 236, 331, 215/220; 206/534; 116/308-315  
See application file for complete search history.

(56) **References Cited**

**U.S. PATENT DOCUMENTS**

D417,583	S	*	12/1999	Demore	.....	D7/392.1
D468,639	S	*	1/2003	Wennerstrom et al.	.....	D9/449
D513,585	S	*	1/2006	Biesecker et al.	.....	D9/449
D548,081	S	*	8/2007	Noonan	.....	D9/453
D578,000	S	*	10/2008	Zoppas	.....	D9/453
D587,587	S	*	3/2009	Schwartz et al.	.....	D9/529
D591,153	S	*	4/2009	Strepkoff	.....	D9/449

\* cited by examiner

*Primary Examiner*—Susan Bennett Hattan

(74) *Attorney, Agent, or Firm*—Wood, Phillips, Katz, Clark & Mortimer

(57) **CLAIM**

The ornamental design for a dispensing closure, as shown and described.

**DESCRIPTION**

FIG. 1 is a front isometric view of a first embodiment of a dispensing closure which is adapted for installation on a container (not shown), and FIG. 1 shows our new design of the dispensing closure in the closed condition as the dispensing closure would be initially configured for installation on a container (not shown) for initial purchase by a consumer;

FIG. 2 is a rear isometric view thereof;

FIG. 3 is a top plan view thereof;

FIG. 4 is a right side elevational view thereof, the left side elevational view thereof being a mirror image;

FIG. 5 is a front elevational view thereof;

FIG. 6 is a rear elevational view thereof;

FIG. 7 is a front isometric view of a second embodiment of a dispensing closure which is adapted for installation on a container (not shown), and FIG. 7 shows our new design of the second embodiment of the dispensing closure in the closed condition as the dispensing closure would be initially configured for installation on a container (not shown) for initial purchase by a consumer;

FIG. 8 is a rear isometric view of the second embodiment;

FIG. 9 is a top plan view of the second embodiment;

FIG. 10 is a right side elevational view of the second embodiment, the left side elevational view of the second embodiment being a mirror image;

FIG. 11 is a front elevational view of the second embodiment; and,

FIG. 12 is a rear elevational view of the second embodiment.

The broken line showing of a hinge in some of the figures depicts environment only and forms no part of the claimed design.

**1 Claim, 6 Drawing Sheets**

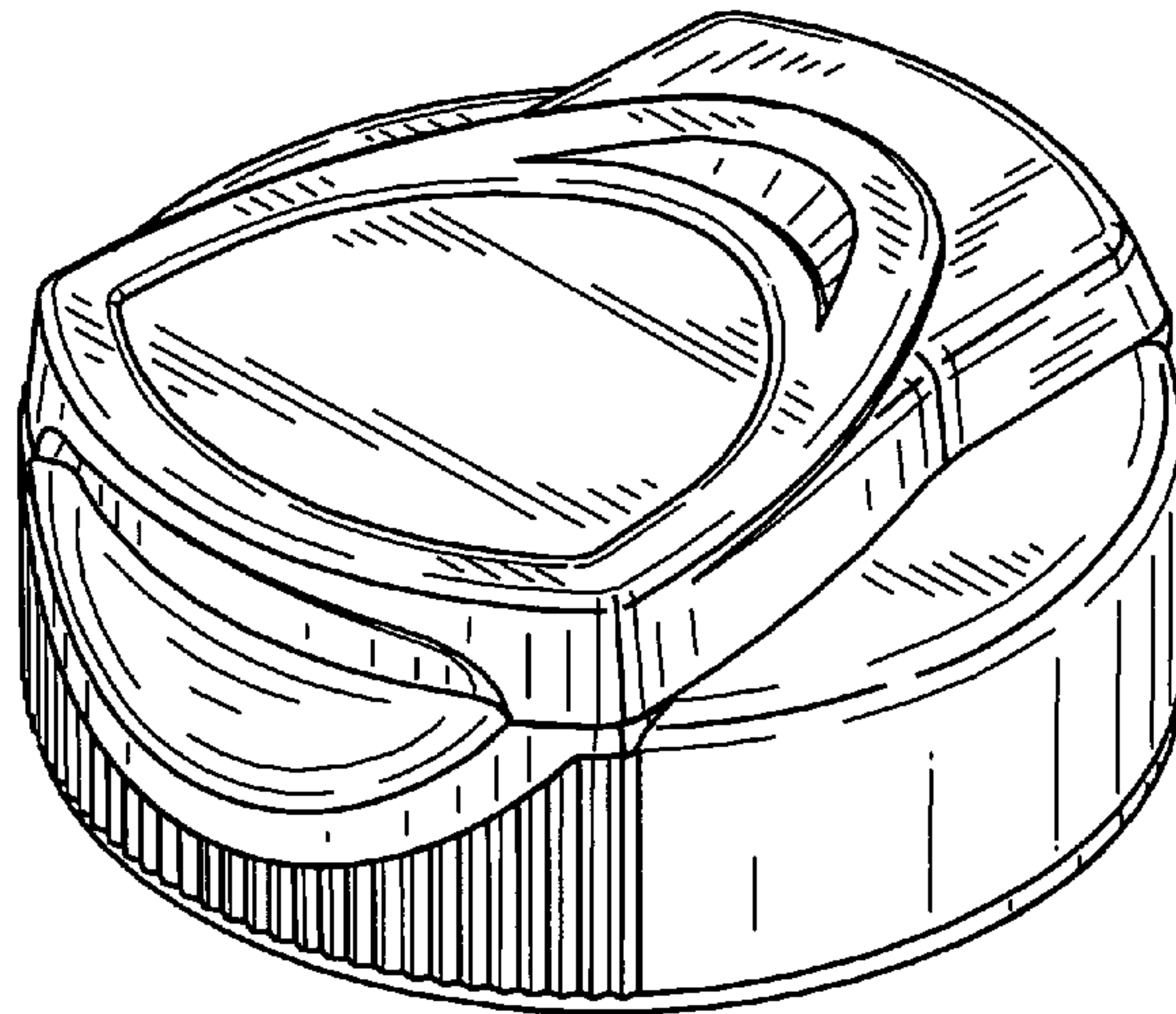
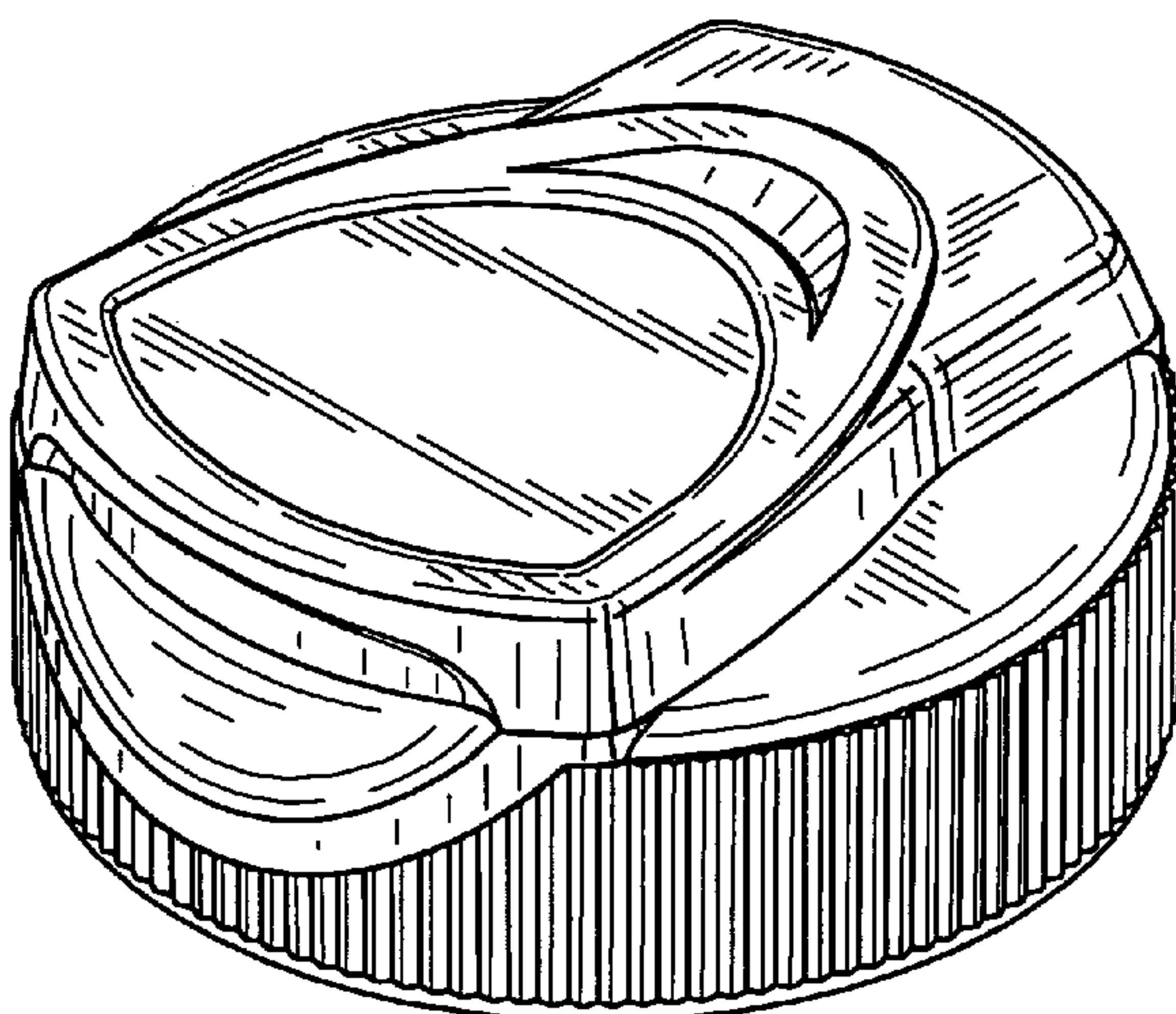


FIG. 1

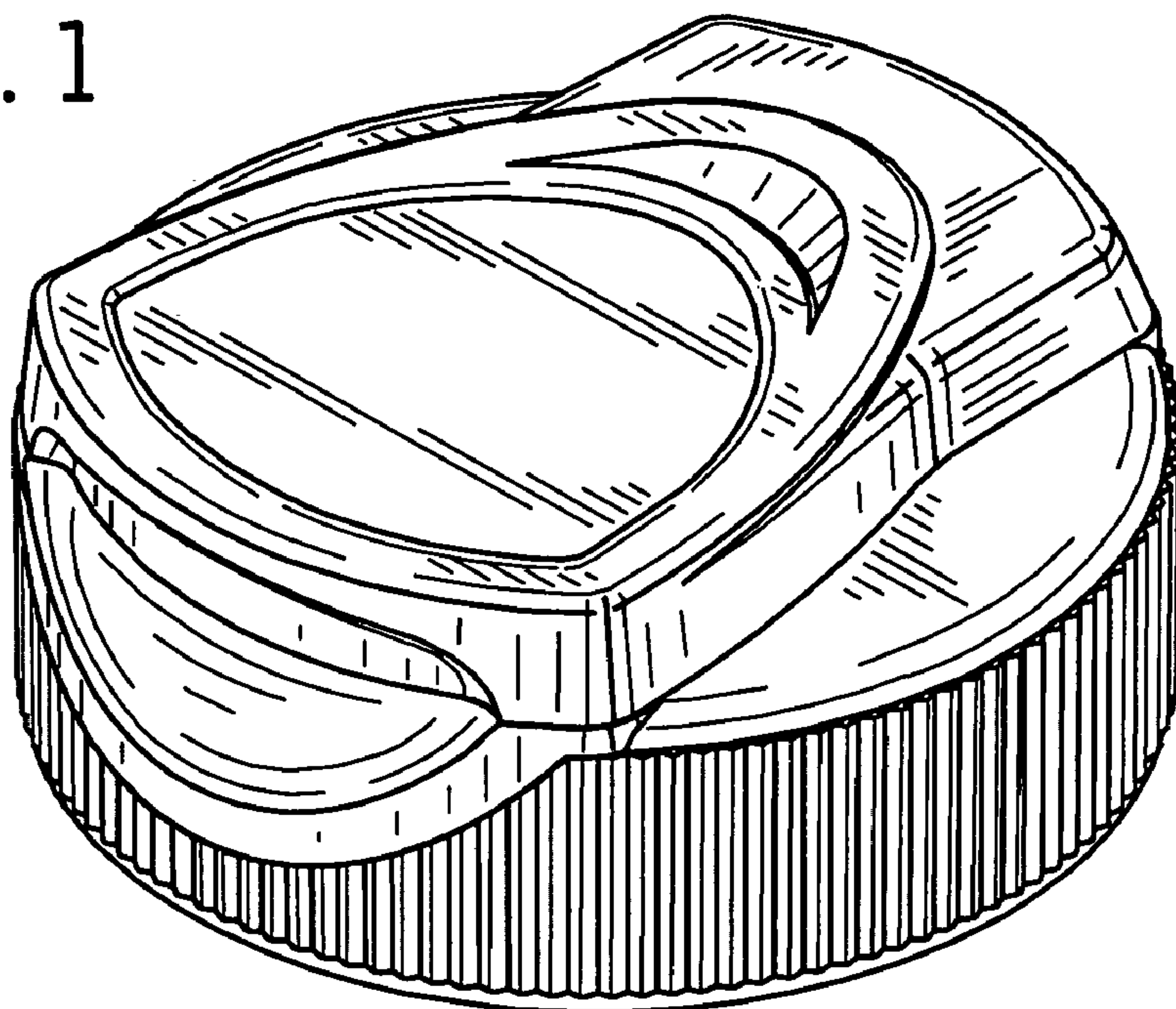
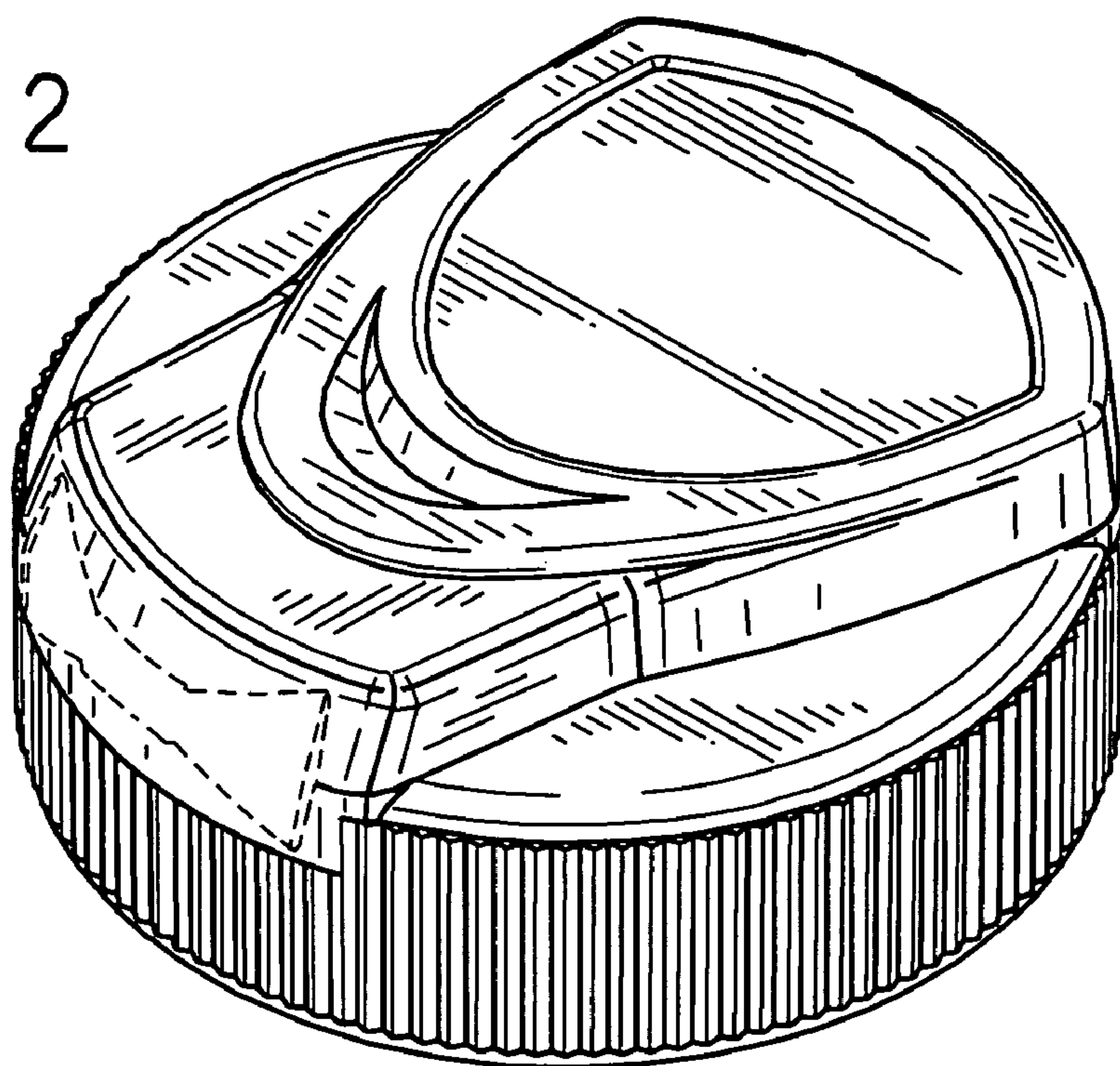


FIG. 2





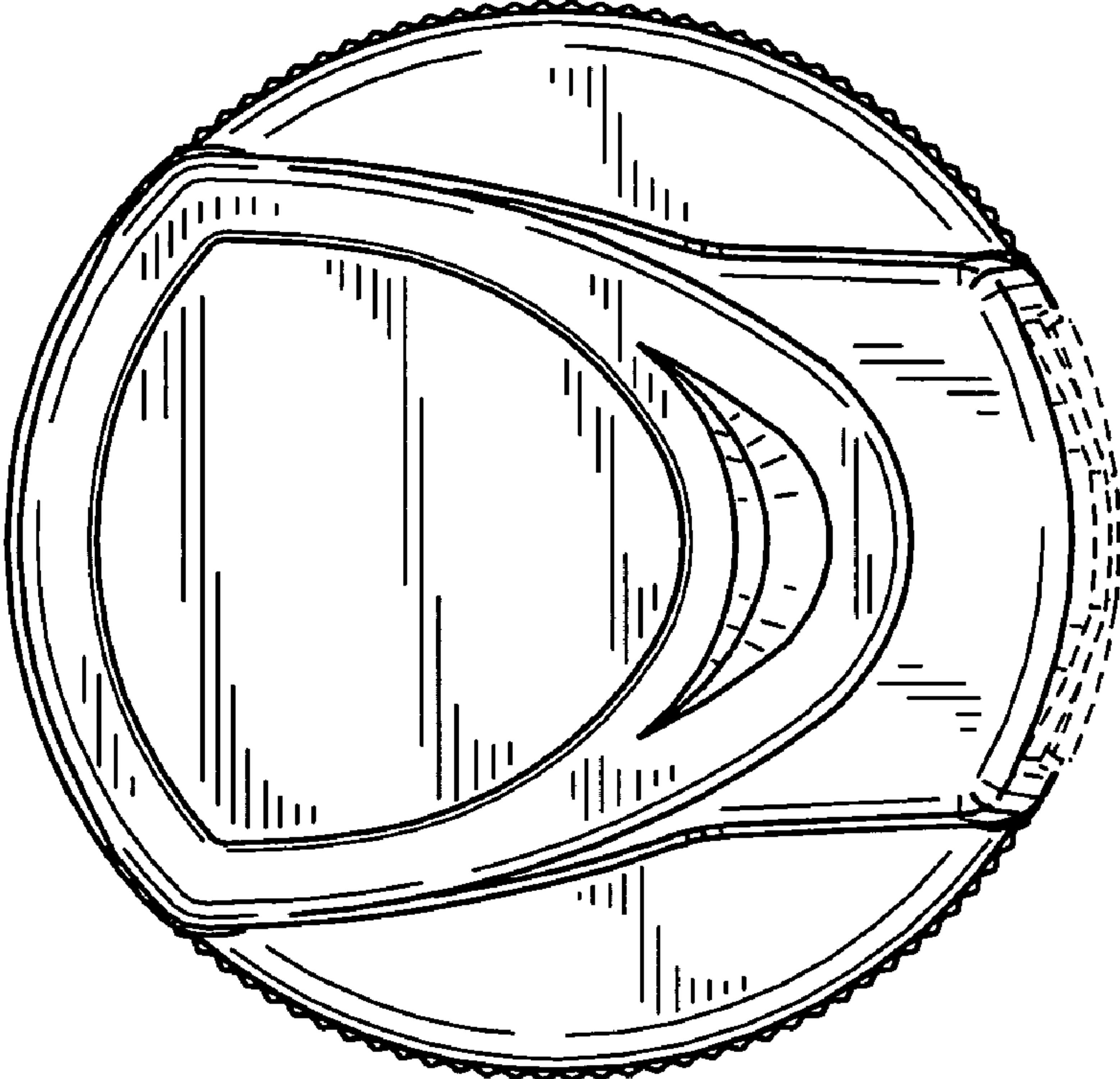


FIG. 3

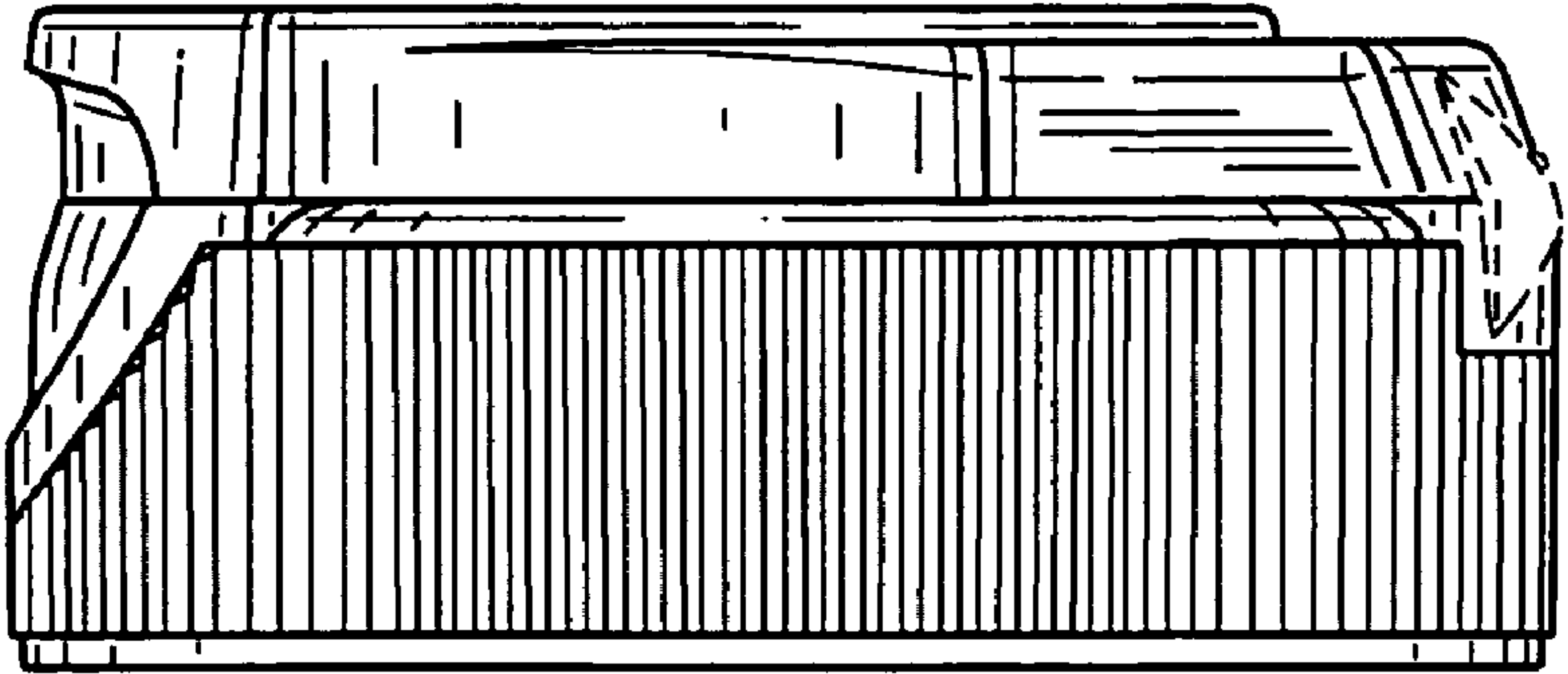


FIG. 4

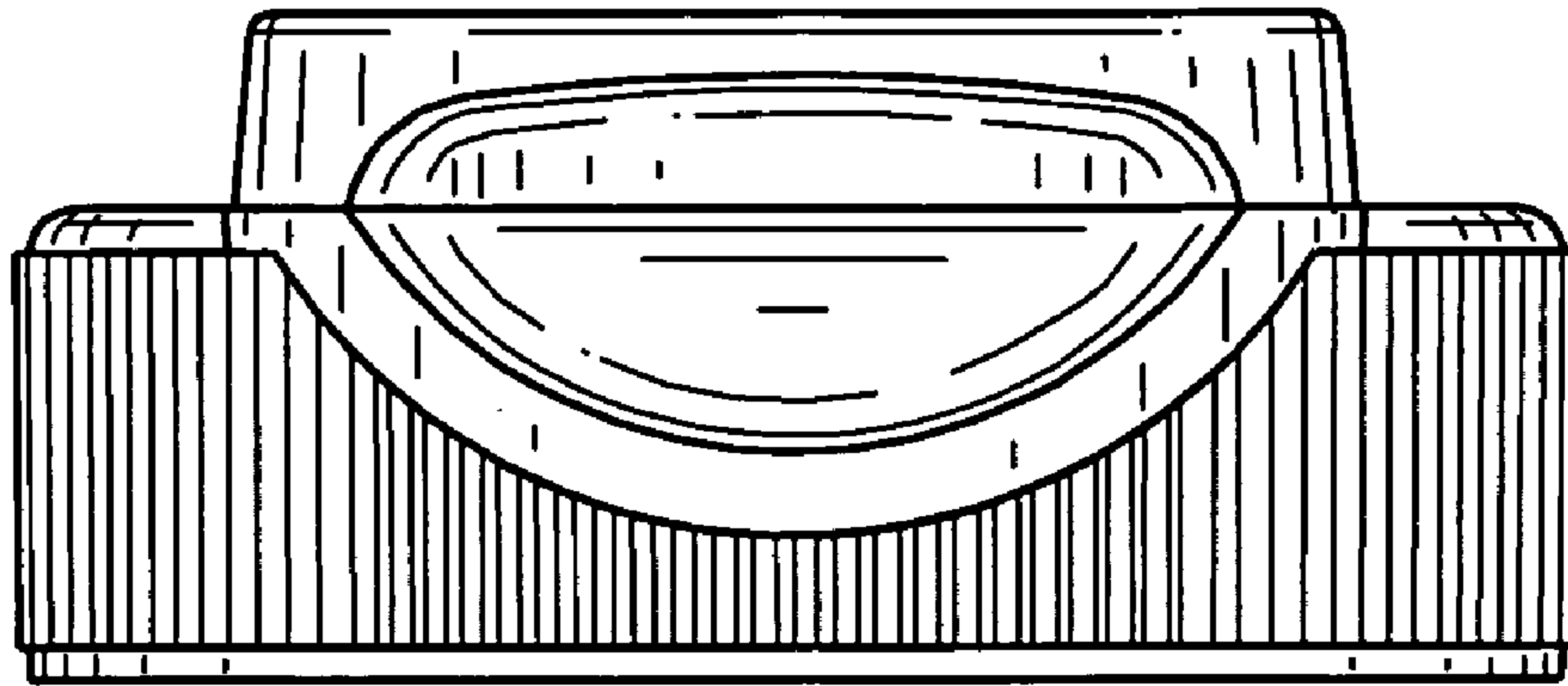


FIG. 5

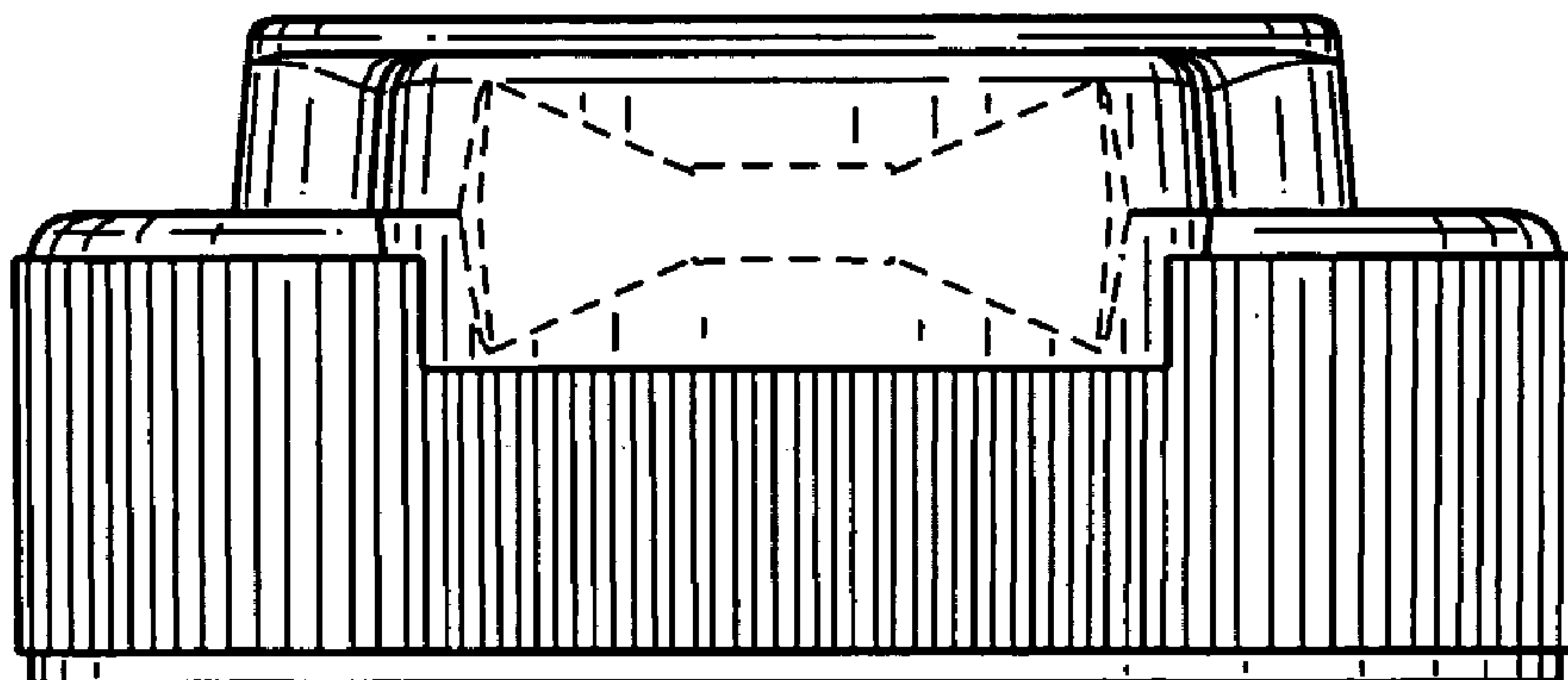


FIG. 6

FIG. 7

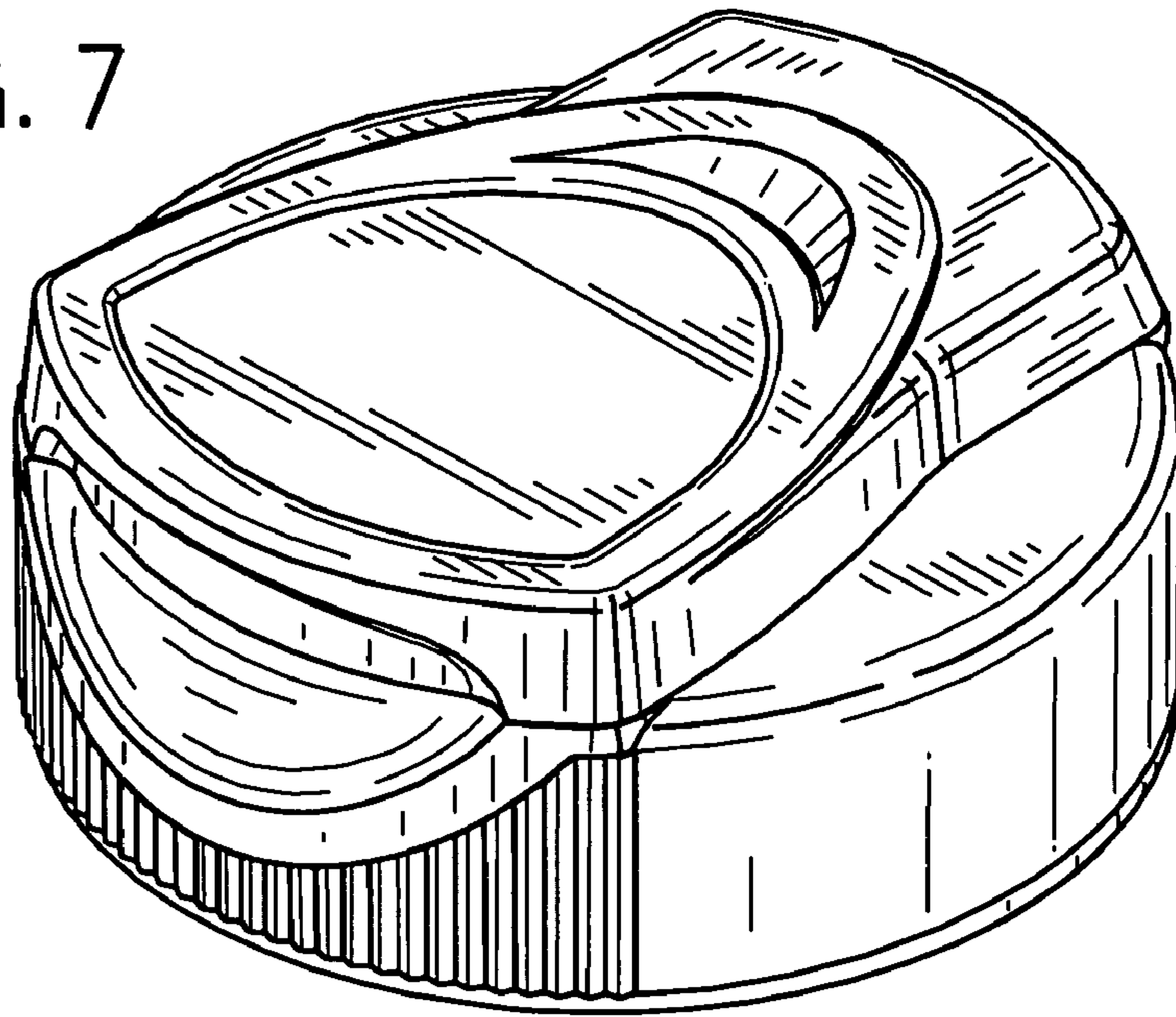
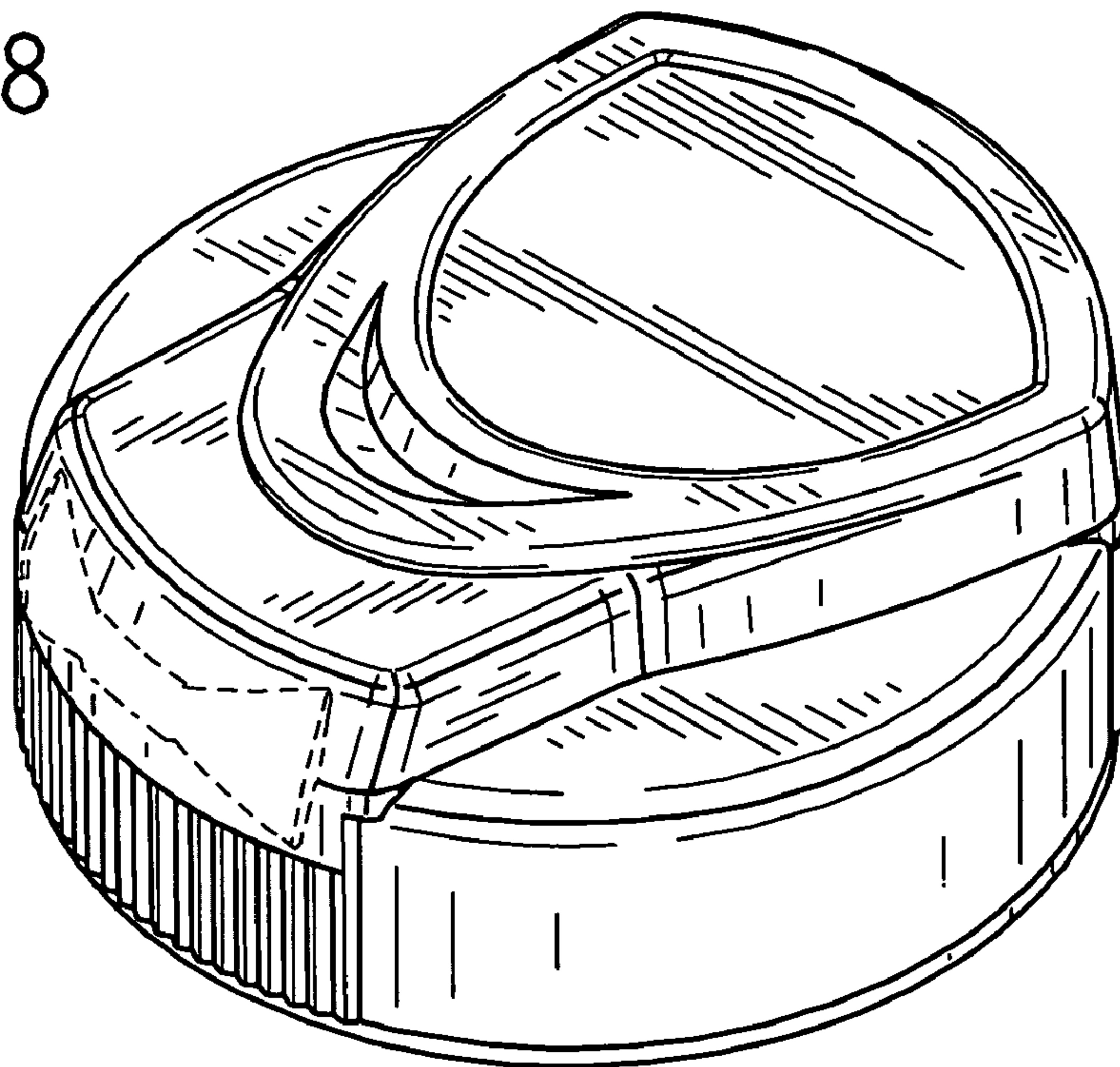


FIG. 8



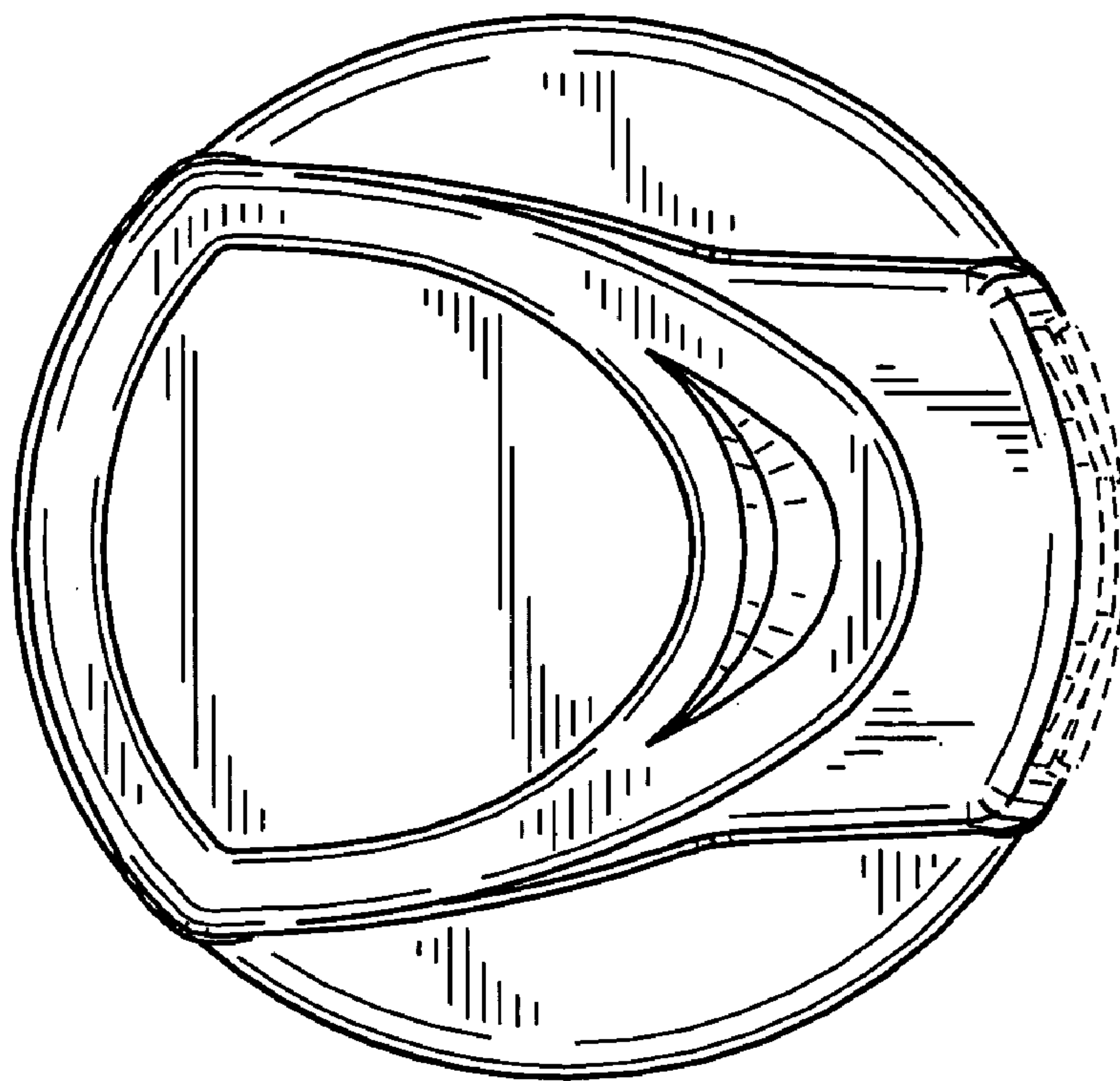


FIG. 9

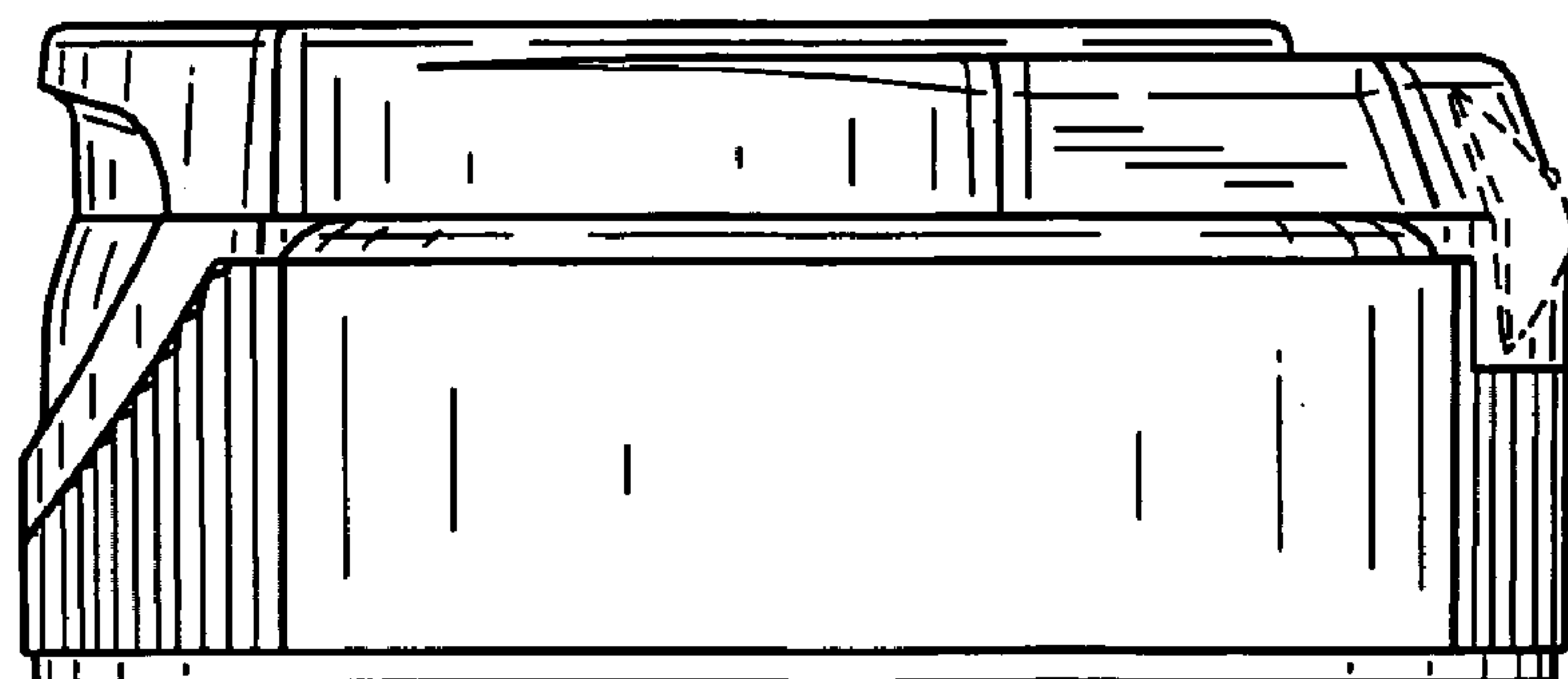


FIG. 10

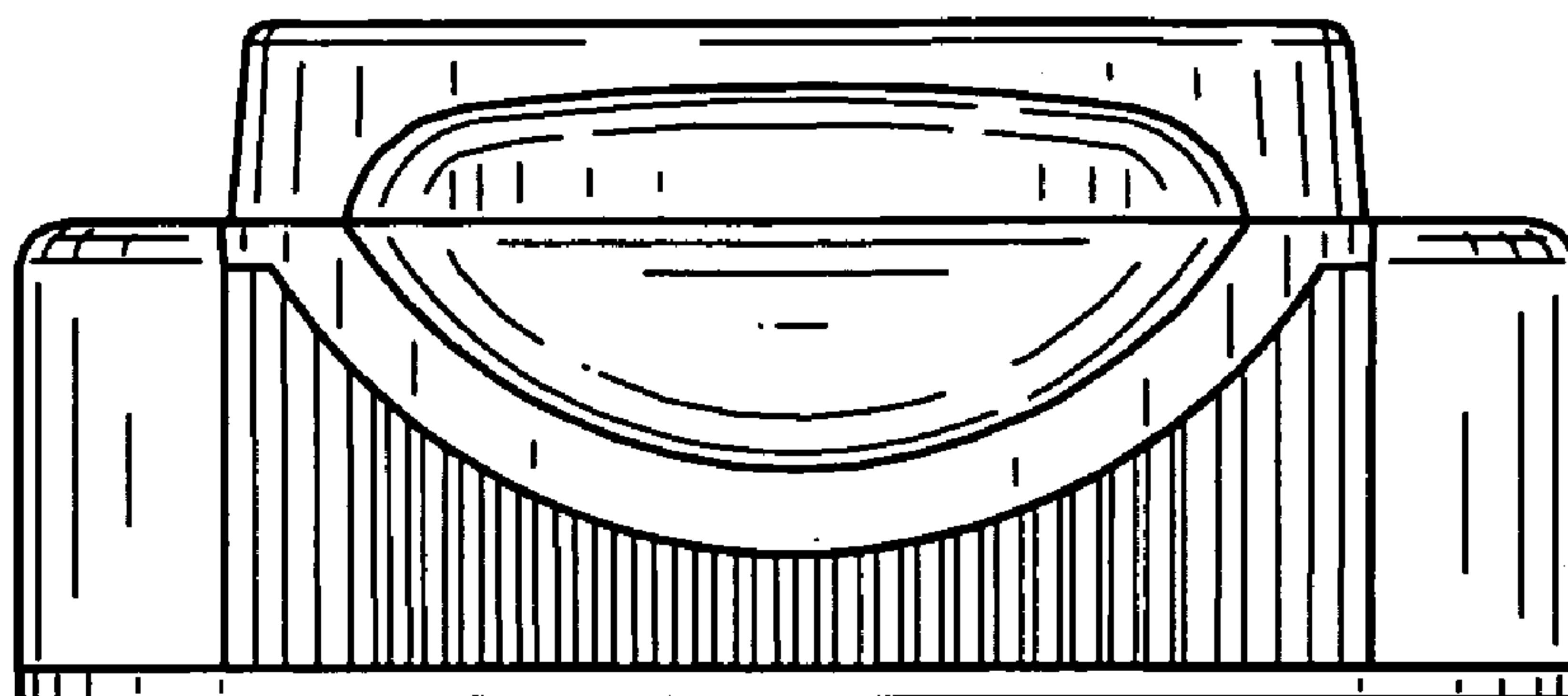


FIG. 11

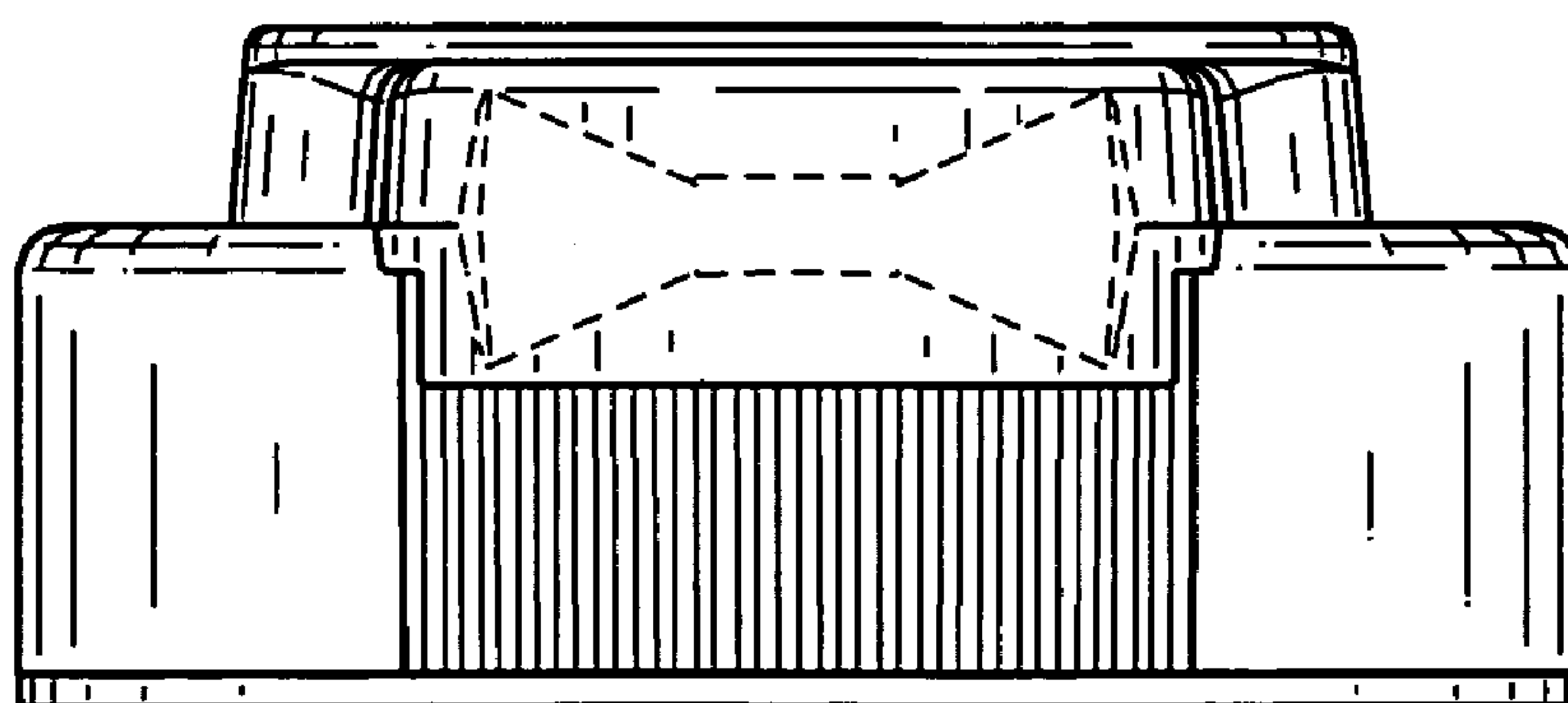


FIG. 12