

US00D609092S

(12) **United States Design Patent**
Laib et al.

(10) **Patent No.:** **US D609,092 S**
(45) **Date of Patent:** **** Feb. 2, 2010**

(54) **CONTAINER LID**

(75) Inventors: **Douglas M. Laib**, Orlando, FL (US);
Tom Van Vaerenbergh, Erembodegem (BE)

(73) Assignee: **Dart Industries Inc.**, Orlando, FL (US)

(**) Term: **14 Years**

(21) Appl. No.: **29/300,404**

(22) Filed: **Mar. 21, 2008**

(51) **LOC (9) Cl.** **09-07**

(52) **U.S. Cl.** **D9/449; D9/454**

(58) **Field of Classification Search** D9/556,
D9/529, 454, 453, 452, 449, 443, 439, 504,
D9/450, 447, 446, 730-732, 435; D8/312;
D7/392.1; D23/261; D14/217; D12/197;
229/123.1; 222/541.2, 575, 566, 556, 552,
222/519, 494, 480, 479, 212, 565; 220/288,
220/810, 781; 215/350, 344, 295, 270, 256,
215/252, 218, 216, 209, 206, 235, 236, 331,
215/220; 206/534; 116/308-315

See application file for complete search history.

(56) **References Cited**

U.S. PATENT DOCUMENTS

D217,711 S	6/1970	Hazard	
D231,083 S	4/1974	Campbell	
D232,809 S	9/1974	Pardo	
D236,429 S	8/1975	Strand	
4,047,648 A	9/1977	Croyle	
D247,611 S	3/1978	Giles	
D266,311 S	9/1982	Mattheis	
D269,316 S	6/1983	Conti	
D314,708 S	2/1991	DeCoster	
D329,608 S	9/1992	Bech	
5,201,440 A *	4/1993	Gross	222/153.07
5,415,309 A	5/1995	Wang	
D360,576 S	7/1995	Bech	

D363,671 S *	10/1995	Mueller	D9/447
5,632,420 A *	5/1997	Lohrman et al.	222/212
5,699,841 A	12/1997	Takagawa	
5,740,914 A	4/1998	Herzog	
5,762,228 A	6/1998	Morgan et al.	
5,769,229 A	6/1998	Andress et al.	
D398,533 S	9/1998	Kotyuk, Jr. et al.	
D411,408 S	6/1999	Ahern, Jr. et al.	
D415,420 S	10/1999	Chen	
D417,583 S	12/1999	Demore	
D418,364 S	1/2000	Demore	
D427,909 S	7/2000	Doritty et al.	

(Continued)

Primary Examiner—Susan Bennett Hattan
(74) *Attorney, Agent, or Firm*—John A. Doninger

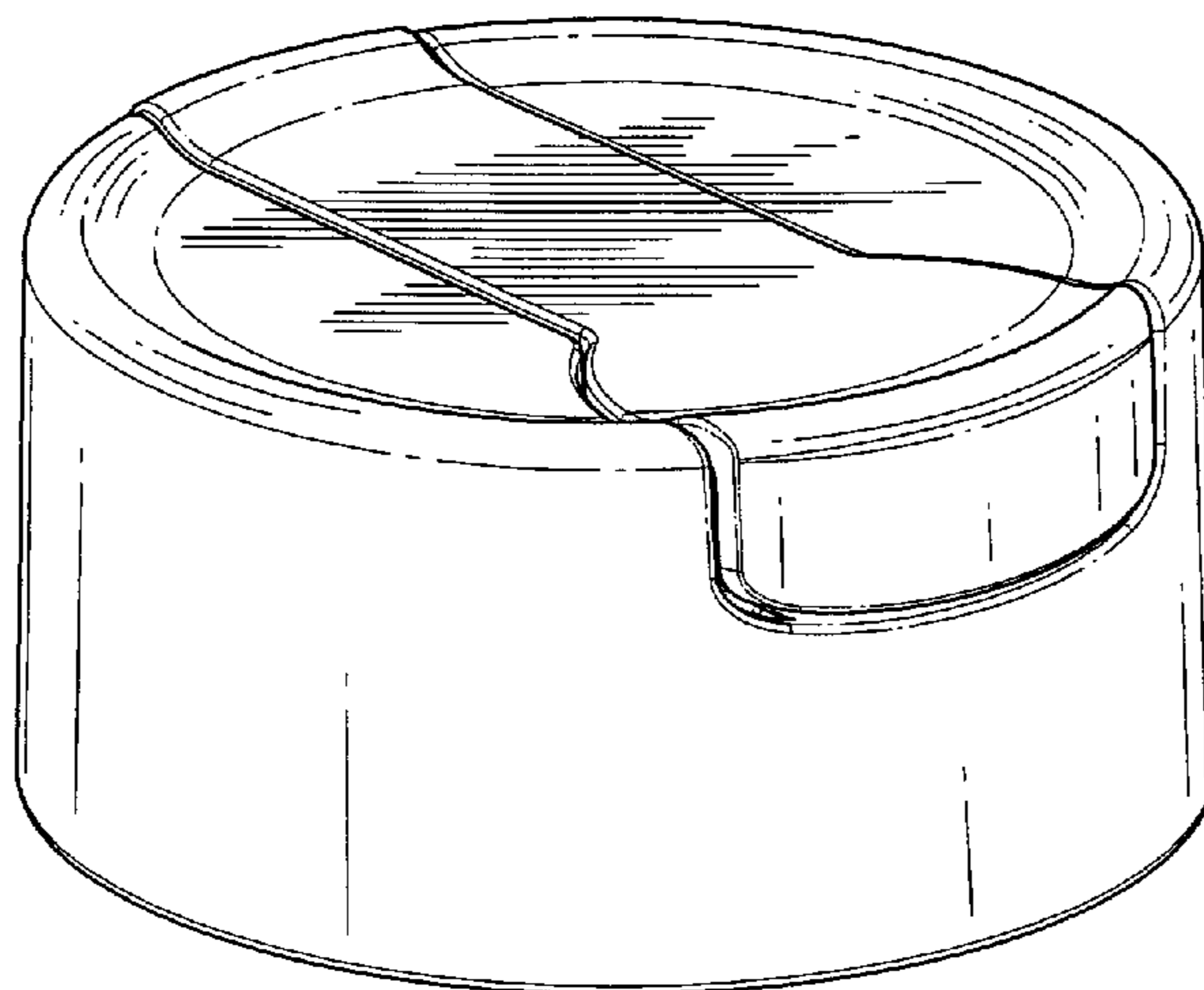
(57) **CLAIM**

The ornamental design for a container lid, as shown and described.

DESCRIPTION

FIG. 1 is a top perspective view of the container lid showing my new design;
FIG. 2 is a bottom perspective view of FIG. 1;
FIG. 3 is a front elevation view of FIG. 1;
FIG. 4 is a right side elevation view of FIG. 1;
FIG. 5 is a rear elevation view of FIG. 1;
FIG. 6 is a left side elevation view of FIG. 1;
FIG. 7 is a top plan view of FIG. 1; and,
FIG. 8 is a bottom plan view of FIG. 1.

1 Claim, 4 Drawing Sheets



US D609,092 S

Page 2

U.S. PATENT DOCUMENTS

6,273,291 B1	8/2001	Conti		D539,657 S	4/2007	Webb et al.
D451,807 S	12/2001	Goettner		D545,619 S	7/2007	Jalet
D456,265 S	4/2002	Spear		D546,188 S	7/2007	Penfold et al.
D475,621 S	6/2003	Buchalski et al.		D546,694 S	7/2007	Penfold et al.
D511,685 S *	11/2005	Choi	D9/449	D547,661 S	7/2007	Blasko et al.
D516,425 S *	3/2006	Haffner et al.	D9/449	7,264,135 B2	9/2007	Savicki et al.
D520,371 S	5/2006	Clamage		D556,576 S	12/2007	Webb
D539,655 S	4/2007	Kipperman et al.		2003/0136783 A1	7/2003	Hatsumoto et al.
				2004/0182860 A1	9/2004	Wu et al.

* cited by examiner

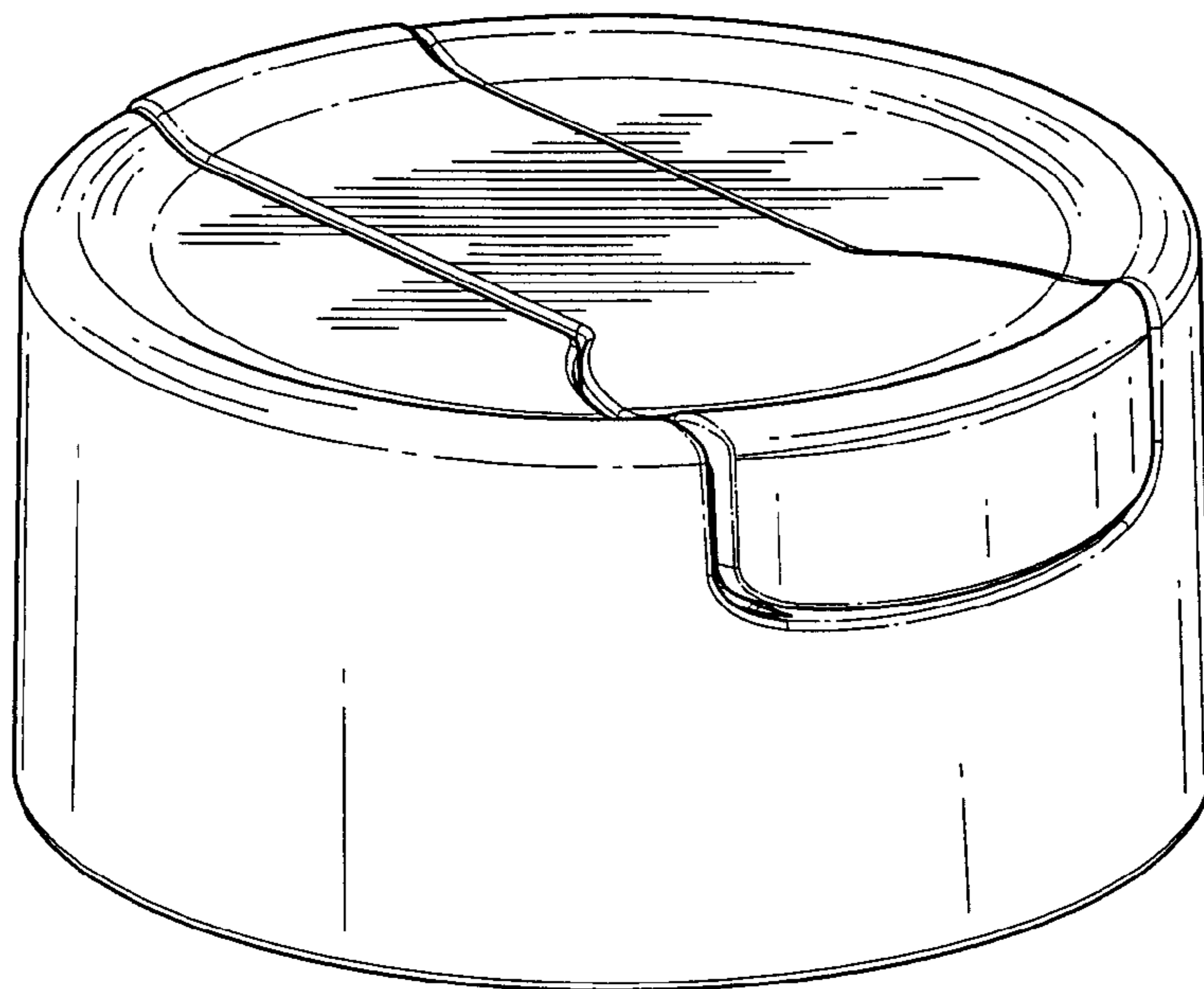


FIG. 1

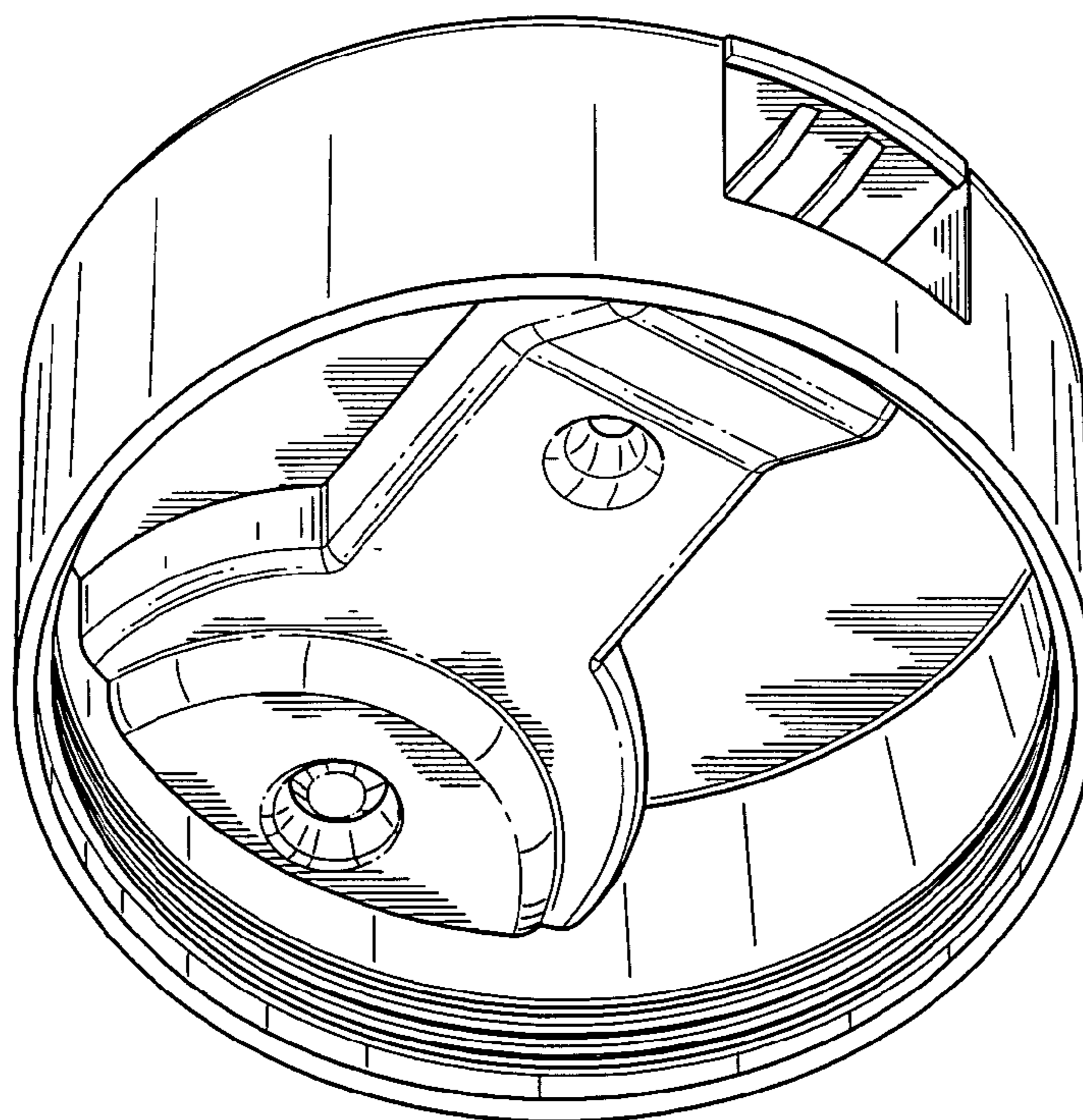


FIG. 2

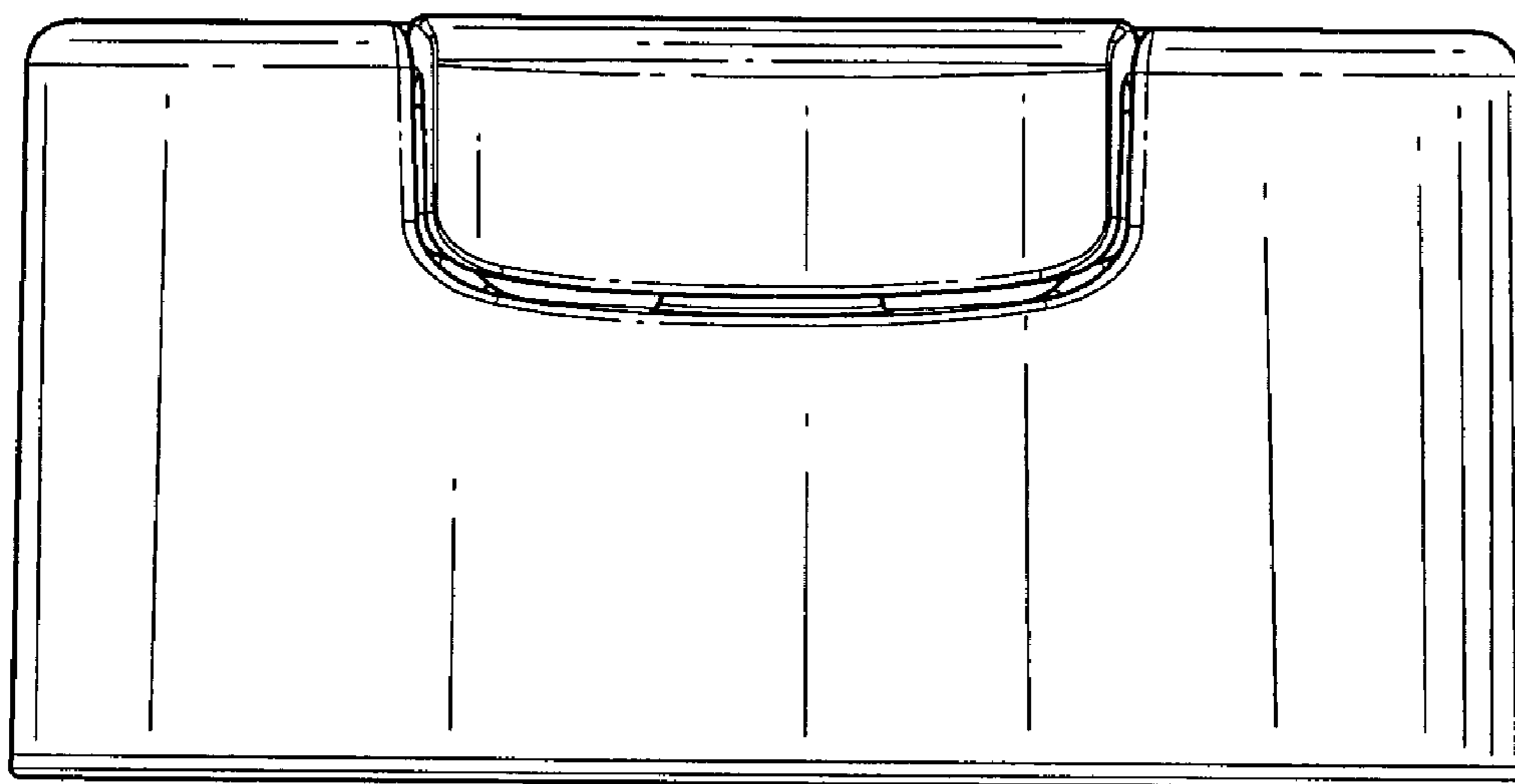


FIG. 3

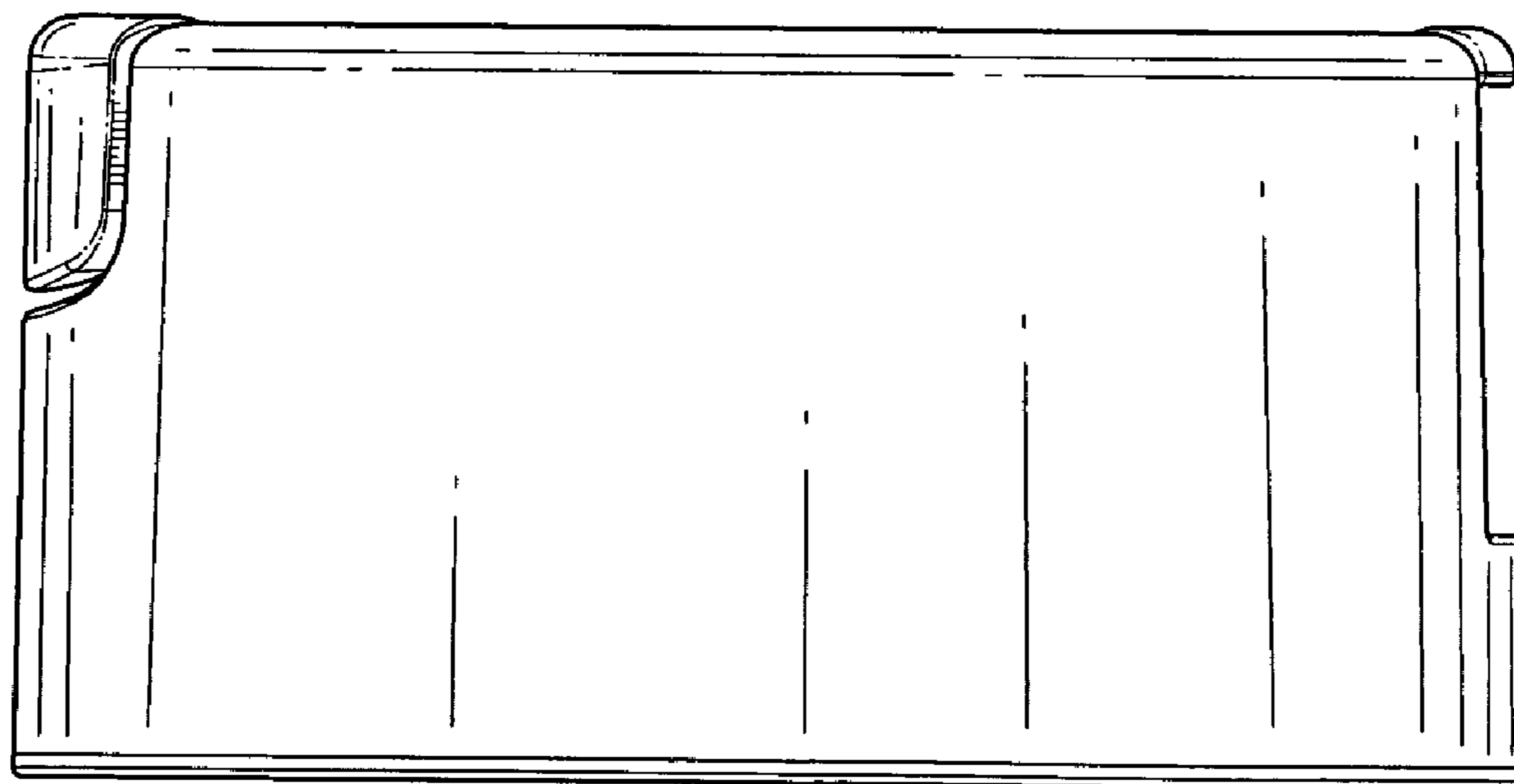


FIG. 4

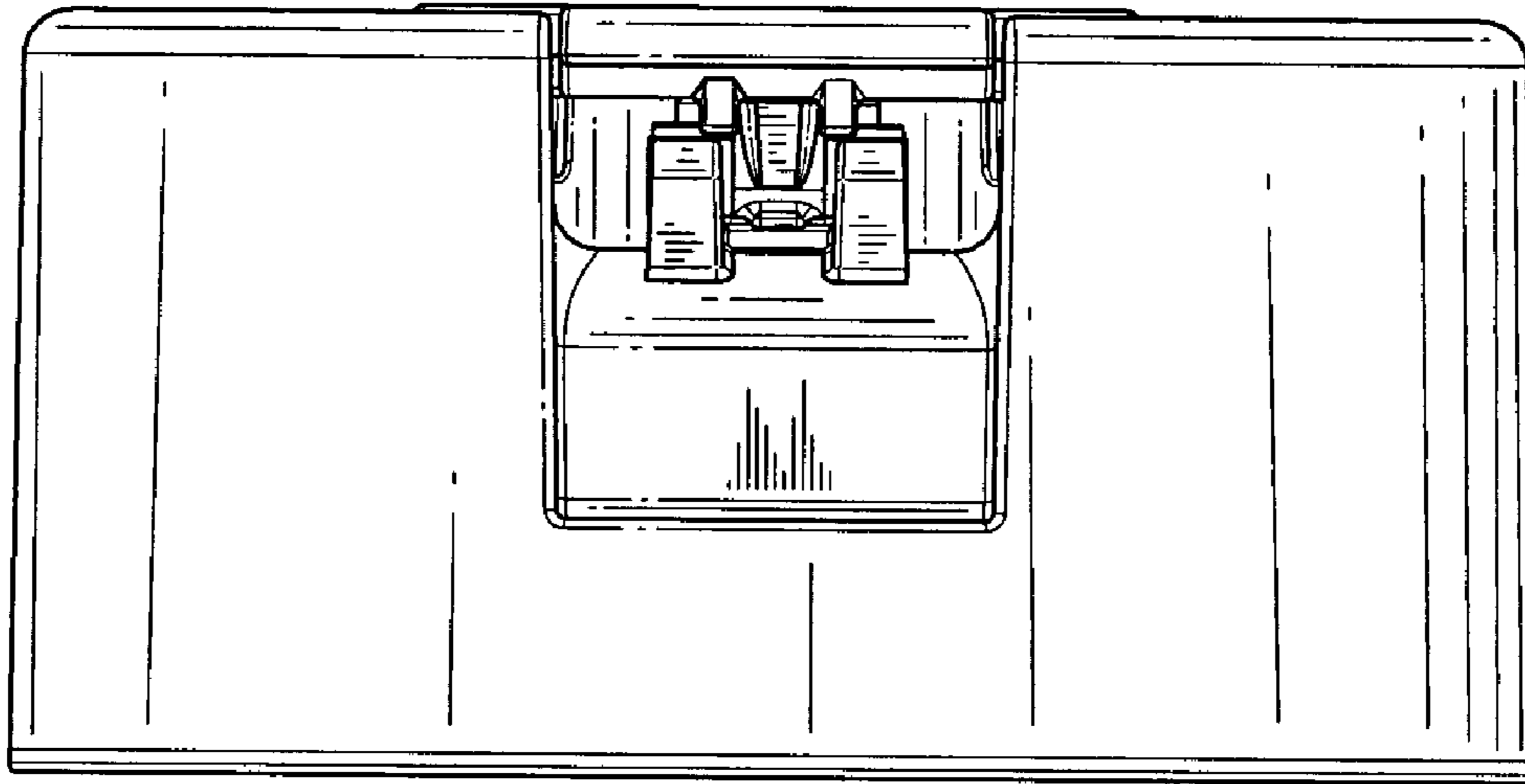


FIG. 5

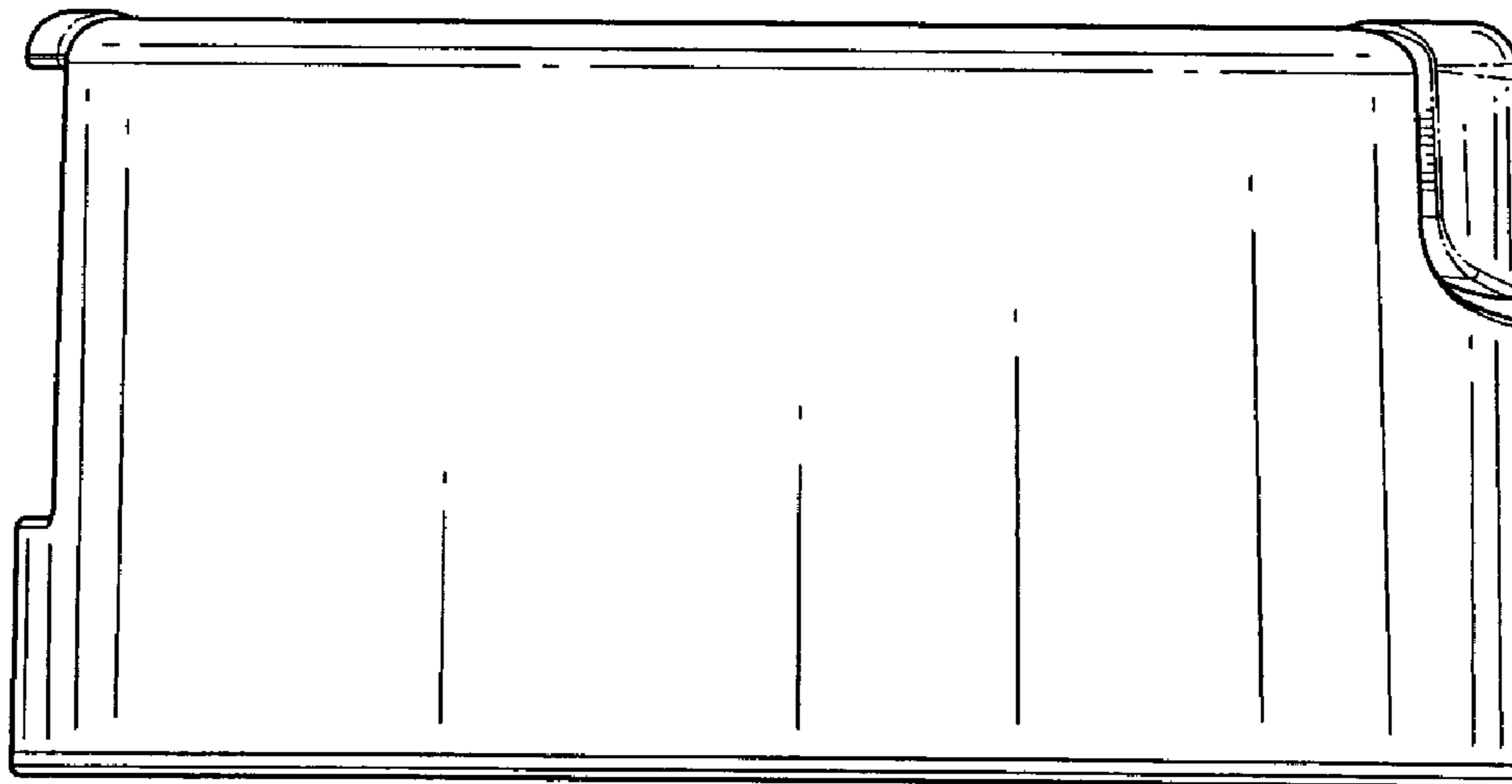


FIG. 6

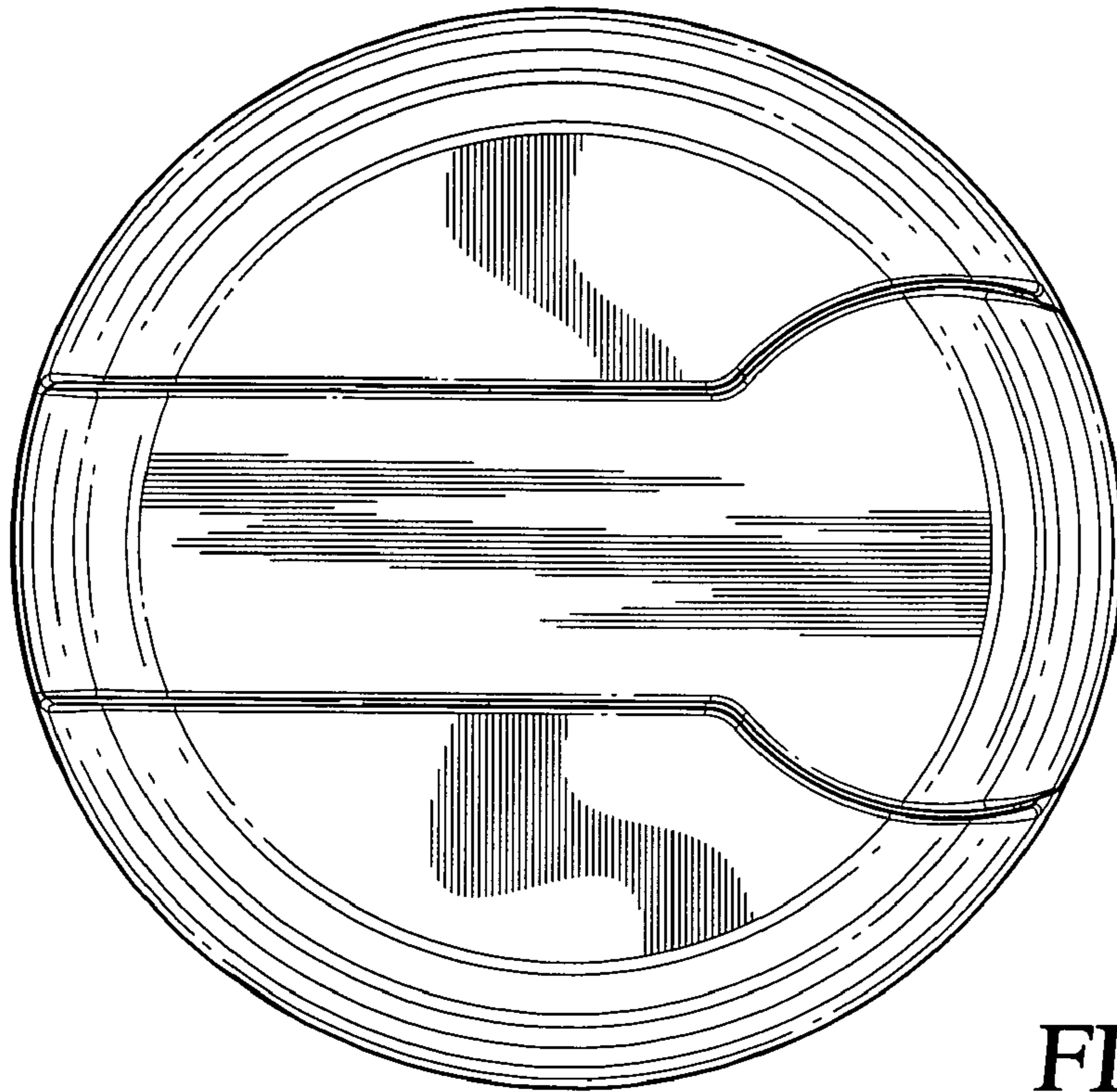


FIG. 7

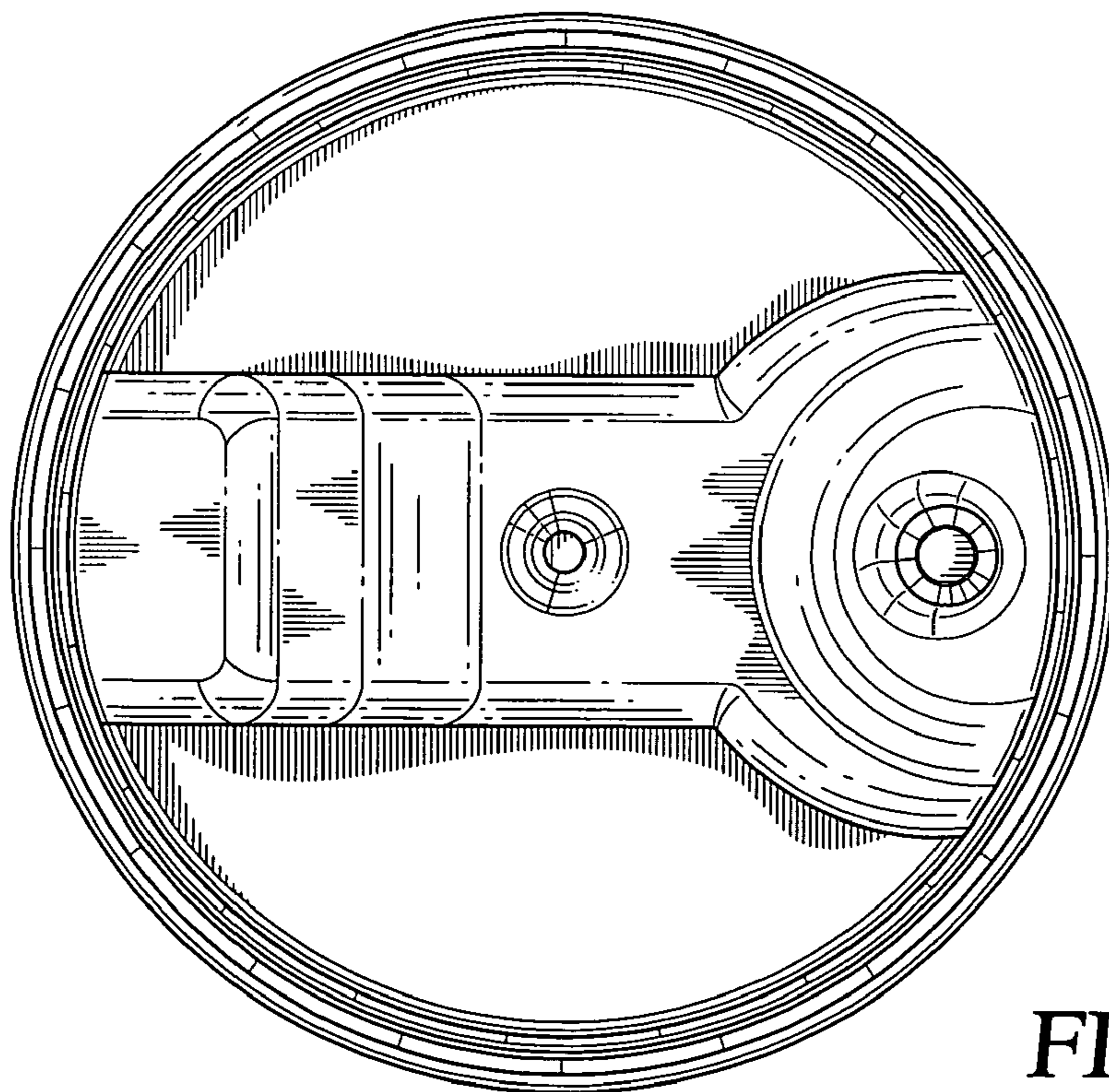


FIG. 8