



US00D609091S

(12) **United States Design Patent**  
**Dubach**

(10) **Patent No.:** **US D609,091 S**

(45) **Date of Patent:** **\*\* Feb. 2, 2010**

(54) **CLOSING DEVICE**

(75) Inventor: **Werner F. Dubach**, Maur (CH)

(73) Assignee: **Kisling AG**, Tagelswangen (CH)

(\*\*) Term: **14 Years**

(21) Appl. No.: **29/331,085**

(22) Filed: **Jan. 20, 2009**

(30) **Foreign Application Priority Data**

Jul. 21, 2008 (EM) ..... 000974381-0001

(51) **LOC (9) Cl.** ..... **09-07**

(52) **U.S. Cl.** ..... **D9/438; D9/447; D9/453**

(58) **Field of Classification Search** ..... D9/902,  
D9/763, 516, 453, 447, 438, 435, 440, 436,  
D9/434; D7/510, 396.2; D28/7; D24/224,  
D24/130, 112; D23/206; D10/101; 604/228;  
222/82, 566, 539, 529, 526, 521, 478, 321.6,  
222/153.13, 158; 221/63, 45; 220/716, 270;  
215/257; 206/219

See application file for complete search history.

(56) **References Cited**

**U.S. PATENT DOCUMENTS**

2,917,197 A \* 12/1959 Glover et al. .... 215/12.2  
3,019,936 A \* 2/1962 Maulaz ..... 220/270

D226,555 S \* 3/1973 Weber ..... D9/446  
D317,203 S \* 5/1991 Walsh ..... D24/112  
D327,016 S \* 6/1992 Leuenberger ..... D9/447  
D358,295 S \* 5/1995 Moench ..... D7/398  
D377,031 S \* 12/1996 Didier ..... D15/150  
D426,068 S \* 6/2000 An ..... D4/116  
D470,052 S \* 2/2003 Klutts ..... D9/447  
D522,360 S \* 6/2006 Caserta et al. .... D9/447  
D531,900 S \* 11/2006 Mavin et al. .... D9/447

\* cited by examiner

*Primary Examiner*—Susan Bennett Hattan

(74) *Attorney, Agent, or Firm*—Weingarten, Schurgin,  
Gagnebin & Lebovici LLP

(57) **CLAIM**

The ornamental design for a closing device, as shown.

**DESCRIPTION**

FIG. 1 is a front view of the closing device;

FIG. 2 is a side view of the closing device;

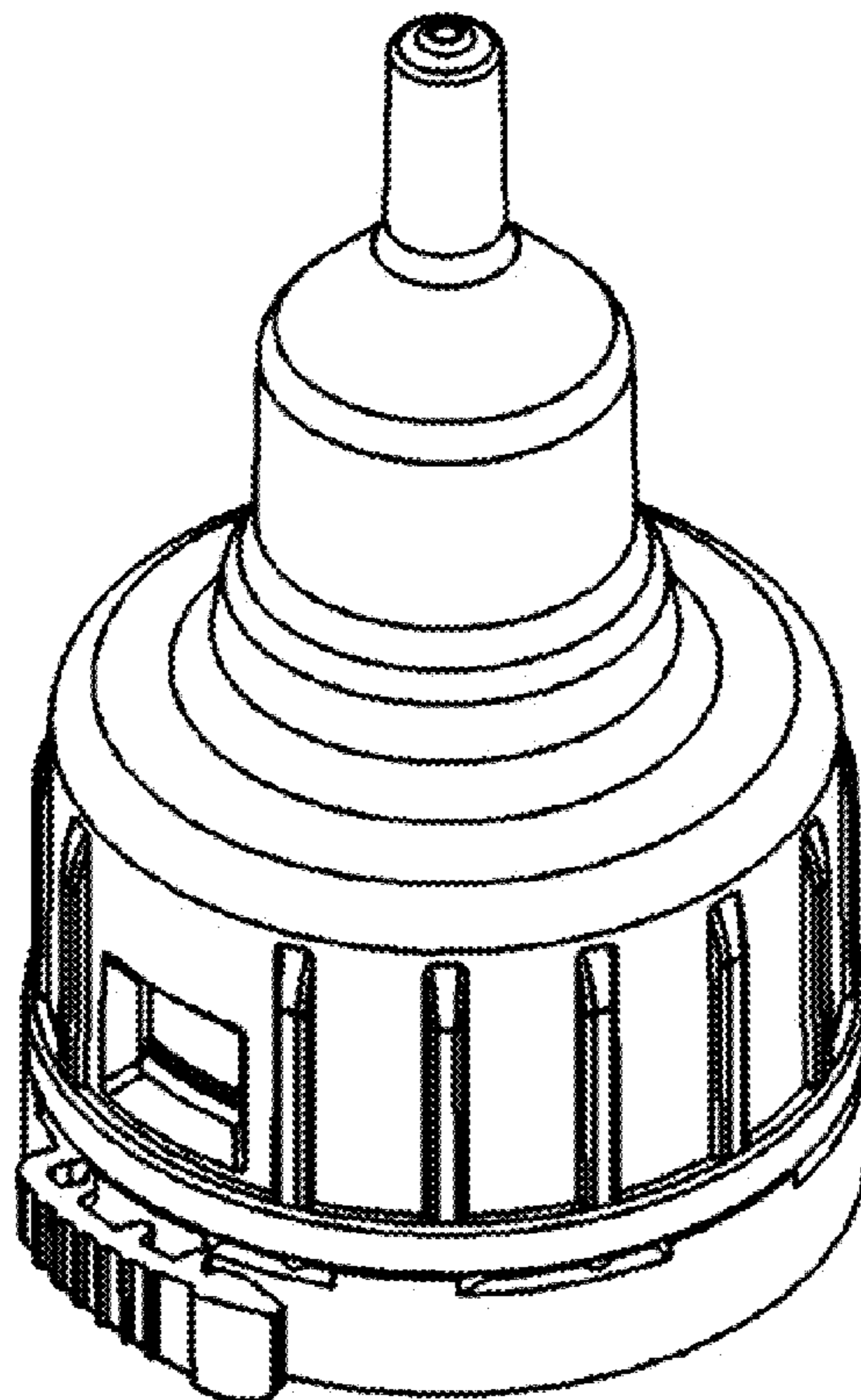
FIG. 3 is a side view of the closing device;

FIG. 4 is a rear view of the closing device;

FIG. 5 is a top view of the closing device; and,

FIG. 6 is a perspective view of the closing device.

**1 Claim, 6 Drawing Sheets**



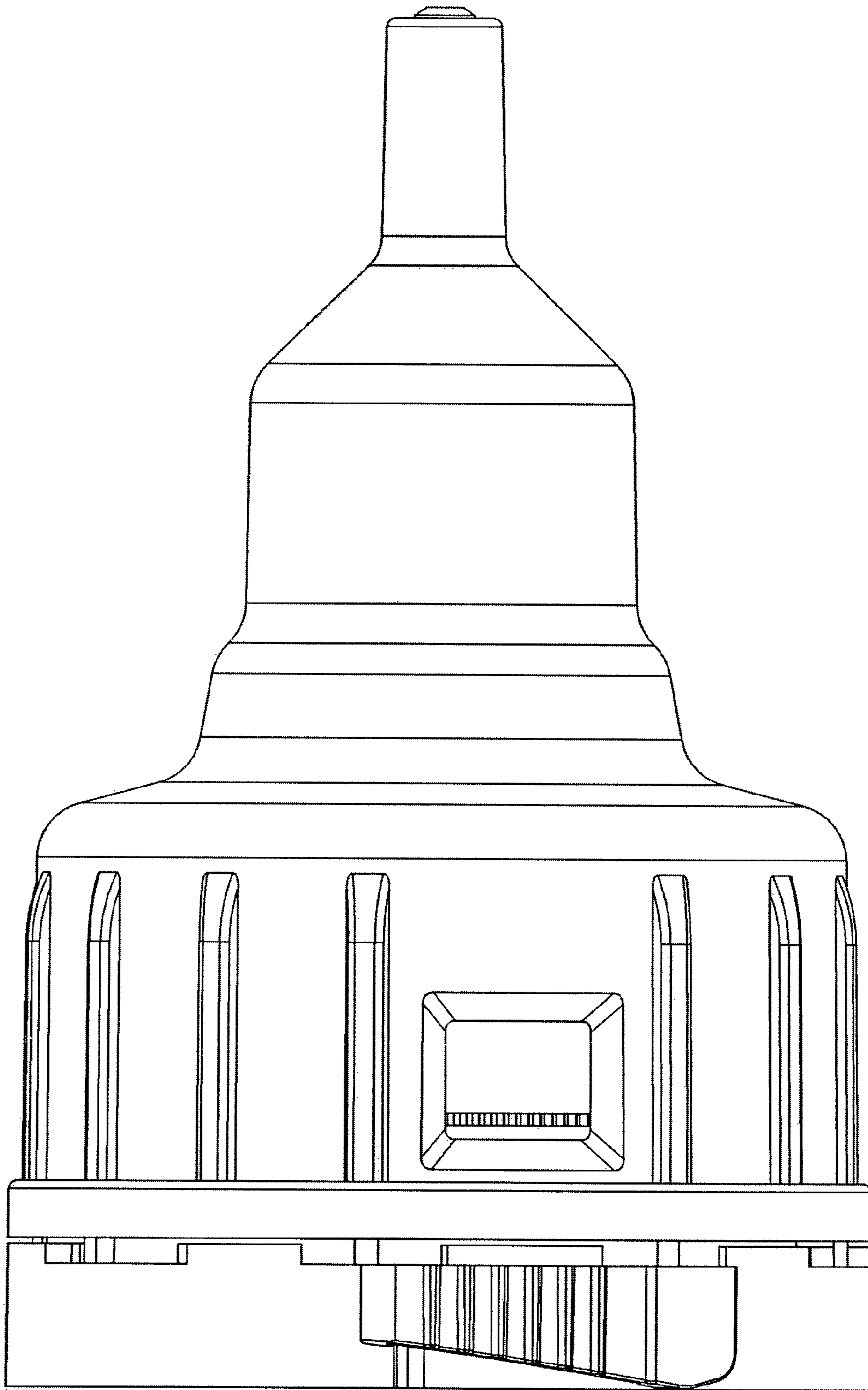


FIG. 1

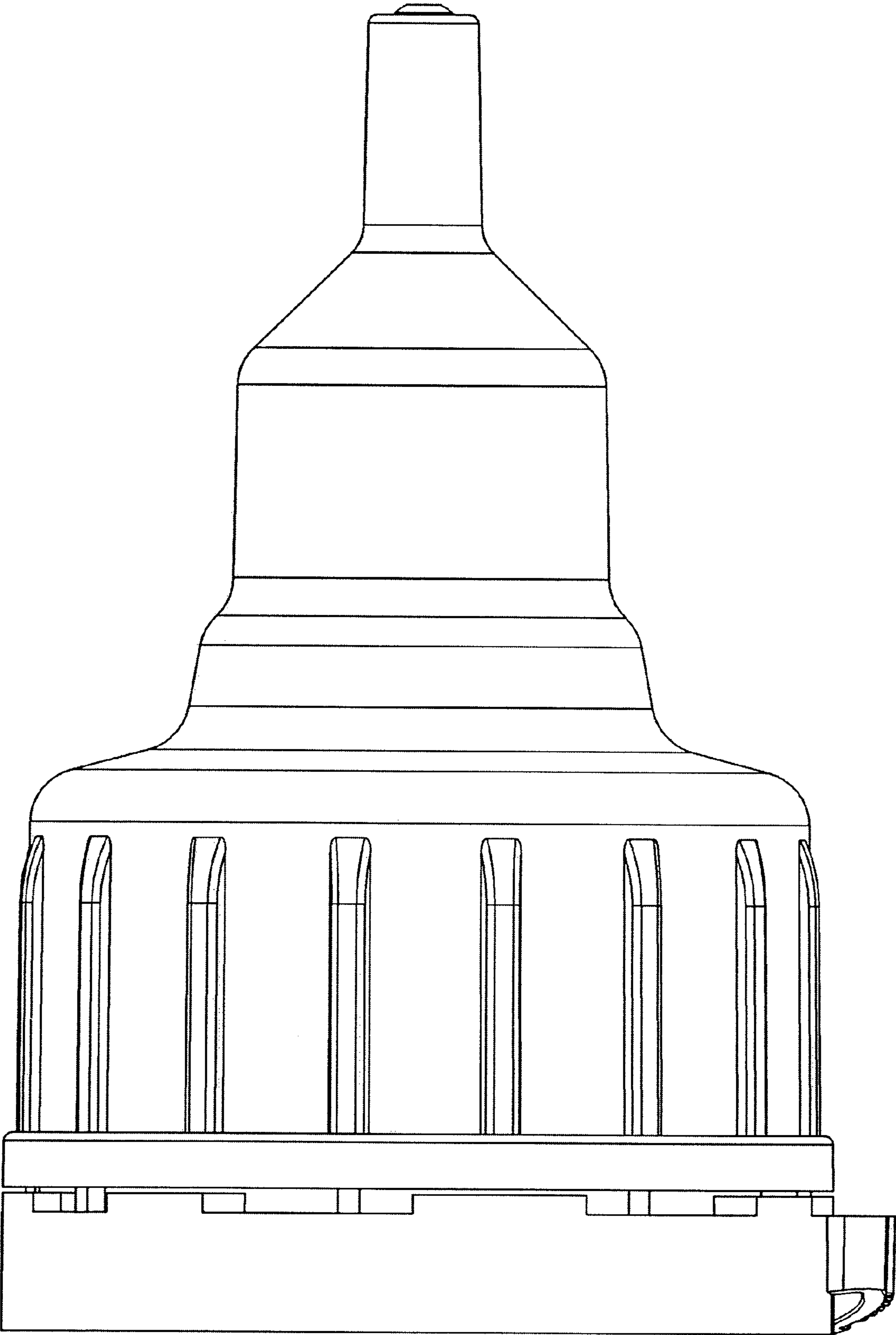


FIG. 2

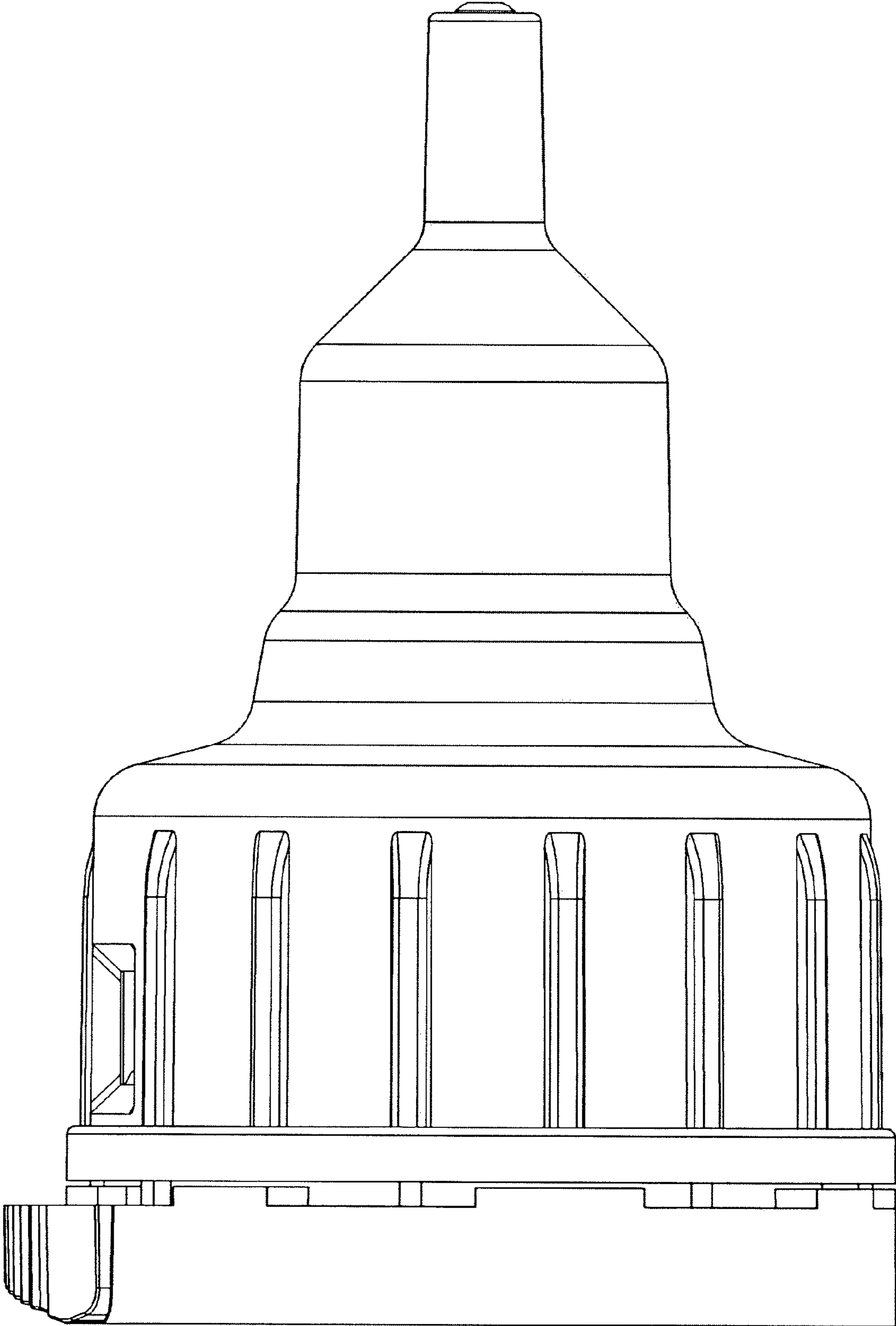


FIG. 3

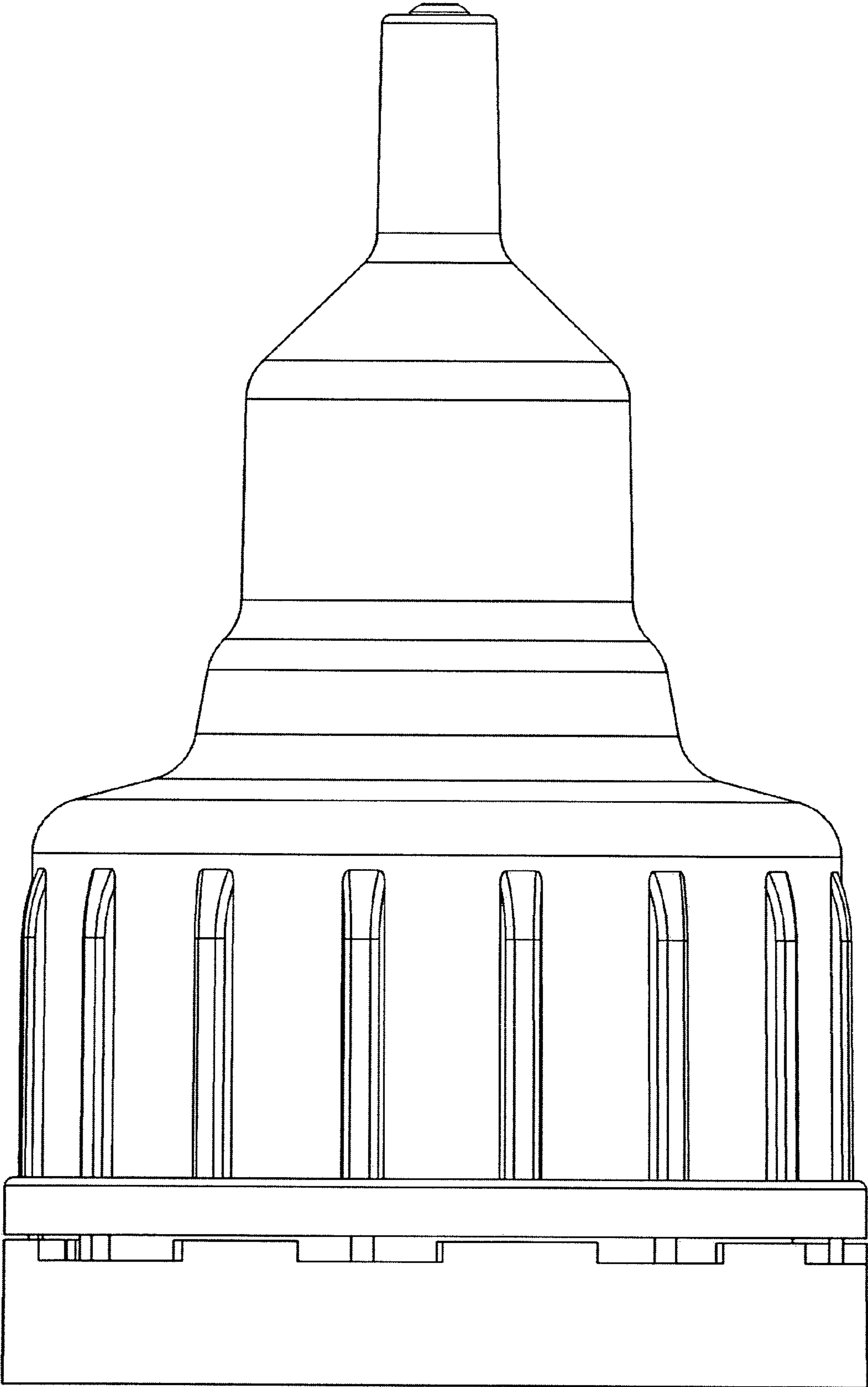


FIG. 4

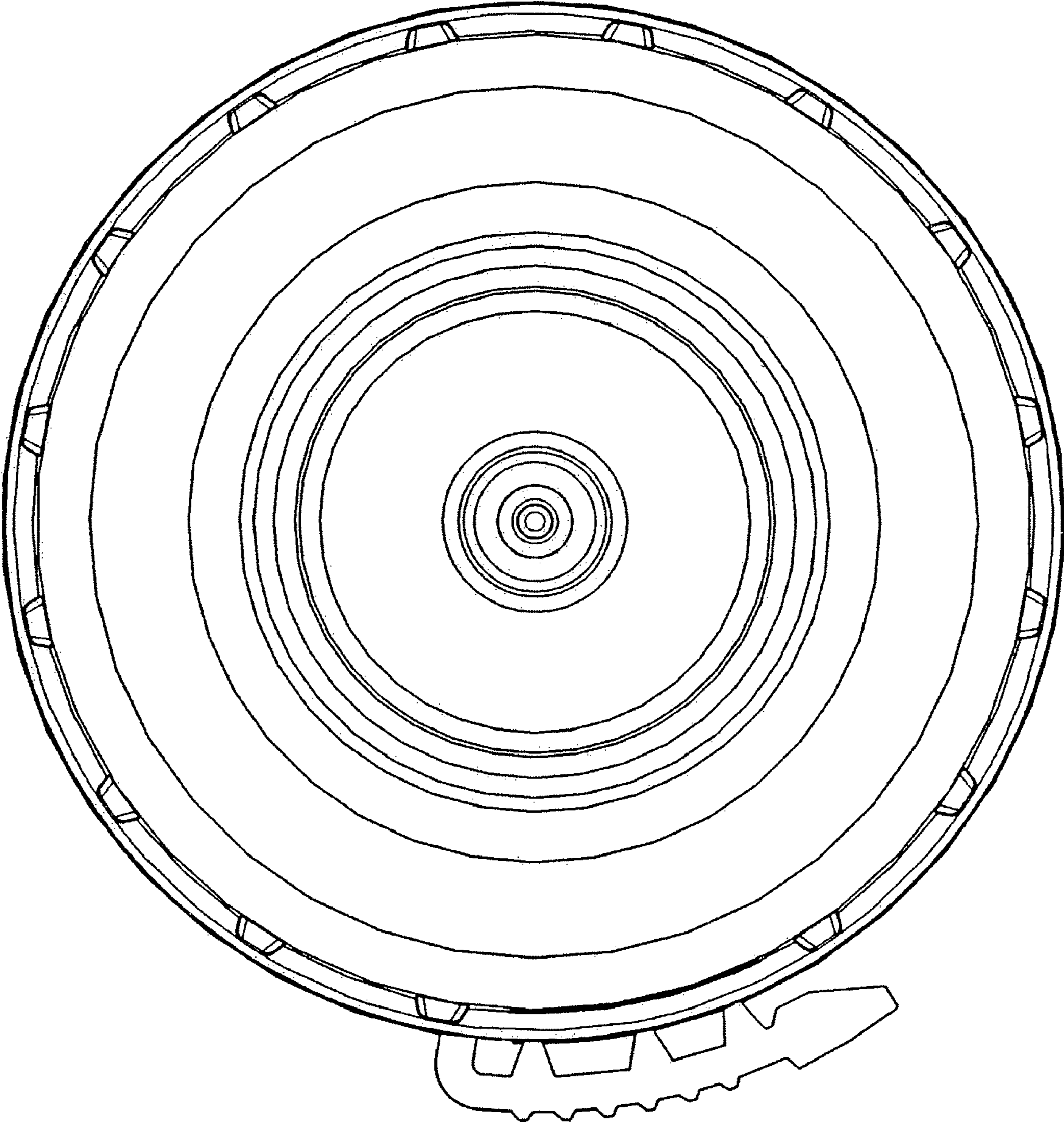


FIG. 5

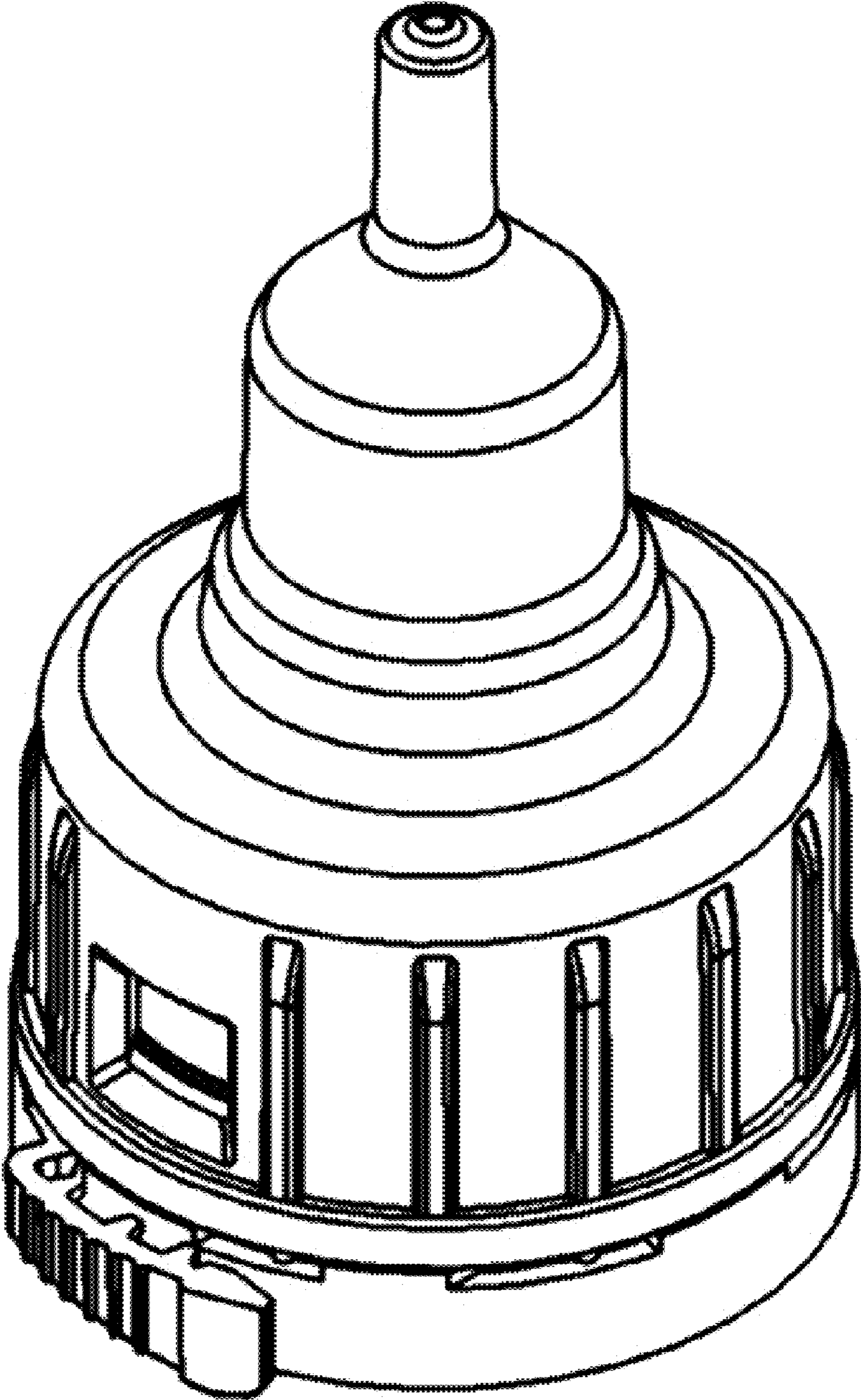


FIG. 6

UNITED STATES PATENT AND TRADEMARK OFFICE  
**CERTIFICATE OF CORRECTION**

PATENT NO. : D609,091 S  
APPLICATION NO. : 29/331085  
DATED : February 2, 2010  
INVENTOR(S) : Werner F. Dubach

Page 1 of 1

It is certified that error appears in the above-identified patent and that said Letters Patent is hereby corrected as shown below:

Title page, item (30) Foreign Application Priority Data, “(EM)” should read -- (EU) --; and

Title page, item (57) CLAIM, “closing device” should read -- CLOSING DEVICE --.

Signed and Sealed this  
Eighteenth Day of January, 2011

A handwritten signature in black ink that reads "David J. Kappos". The signature is written in a cursive style with a large initial 'D' and 'K'.

David J. Kappos  
*Director of the United States Patent and Trademark Office*