



US00D609089S

(12) **United States Design Patent**
Knox, Jr.

(10) **Patent No.:** **US D609,089 S**
(45) **Date of Patent:** **** Feb. 2, 2010**

- (54) **GIFT HOLDER PUZZLE BOX**
- (75) Inventor: **William Knox, Jr.**, Painesville, OH (US)
- (73) Assignee: **Mag-Nif Incorporated**, Mentor, OH (US)
- (**) Term: **14 Years**
- (21) Appl. No.: **29/307,324**
- (22) Filed: **Apr. 14, 2008**

D250,286 S *	11/1978	Zelenko	D21/340
D261,911 S *	11/1981	Mayuzumi	D21/340
D265,867 S *	8/1982	Margulis	D3/294
D272,842 S *	2/1984	Matsumoto	D21/478
4,763,831 A *	8/1988	Huang et al.	229/101
4,861,036 A *	8/1989	Watanabe	273/113

(Continued)

- (51) **LOC (9) Cl.** **09-03**
- (52) **U.S. Cl.** **D9/432**
- (58) **Field of Classification Search** D9/430-433, D9/414, 418, 420-423, 529, 560; 206/278, 206/297, 299, 433, 457, 770, 737, 769, 776, 206/777, 778; 229/100, 101, 103.3, 106, 229/107, 108, 108.1, 109, 110, 112, 116, 229/116.5, 117, 117.01, 117.03-117.08, 229/121, 122, 122.24, 122.29, 125.015, 126, 229/152, 181.1, 185.1, 186, 201, 917, 922, 229/923, 930-933, 935, 937, 939, 942; D21/340
See application file for complete search history.

OTHER PUBLICATIONS

Movie Maze Puzzle Gift Box set #H12888, four views, video demo+evals dating to Nov. 2008 found at: http://www.qvc.com/qic/qvcapp.aspx/view.2/app.detail/params.aol_refer.false.tpl.detail.msn_refer.false.item.H12888.ref.CJ4? Movie Maze Gift Holder #28486 found at: <http://www.taylorgifts.com/prodetail-itemno~28486~src~TGSHOP09.asp> Search dated Mar. 11, 2009.*

(Continued)

Primary Examiner—Robert M Spear
Assistant Examiner—Karen Acker
(74) *Attorney, Agent, or Firm*—Fay Sharpe LLP

(56) **References Cited**

U.S. PATENT DOCUMENTS

D29,400 S *	9/1898	Schieffelin	D21/340
1,527,167 A *	2/1925	Birdseye	229/103.11
D67,843 S *	7/1925	Miller	D9/103.11
1,895,090 A *	1/1933	Stokes	229/122.24
1,936,951 A *	11/1933	Peterson	206/6.1
2,011,266 A *	8/1935	Boynton	273/153 R
D114,891 S *	5/1939	Fogel	D9/418
2,164,506 A *	7/1939	Enrich	229/117.02
2,174,157 A *	9/1939	Hanselmann	229/120.24
2,194,669 A *	3/1940	Mumford	206/454
2,448,679 A *	9/1948	Meinhardt	229/117.02
2,525,738 A *	10/1950	Tormey	273/126 A
2,655,260 A *	10/1953	Clerc	206/232
3,218,754 A *	11/1965	Hunter	446/8
D242,157 S *	11/1976	Missinich	D21/336
D245,436 S *	8/1977	Zelenko	D21/340
4,066,265 A *	1/1978	Bredlau	273/153 R

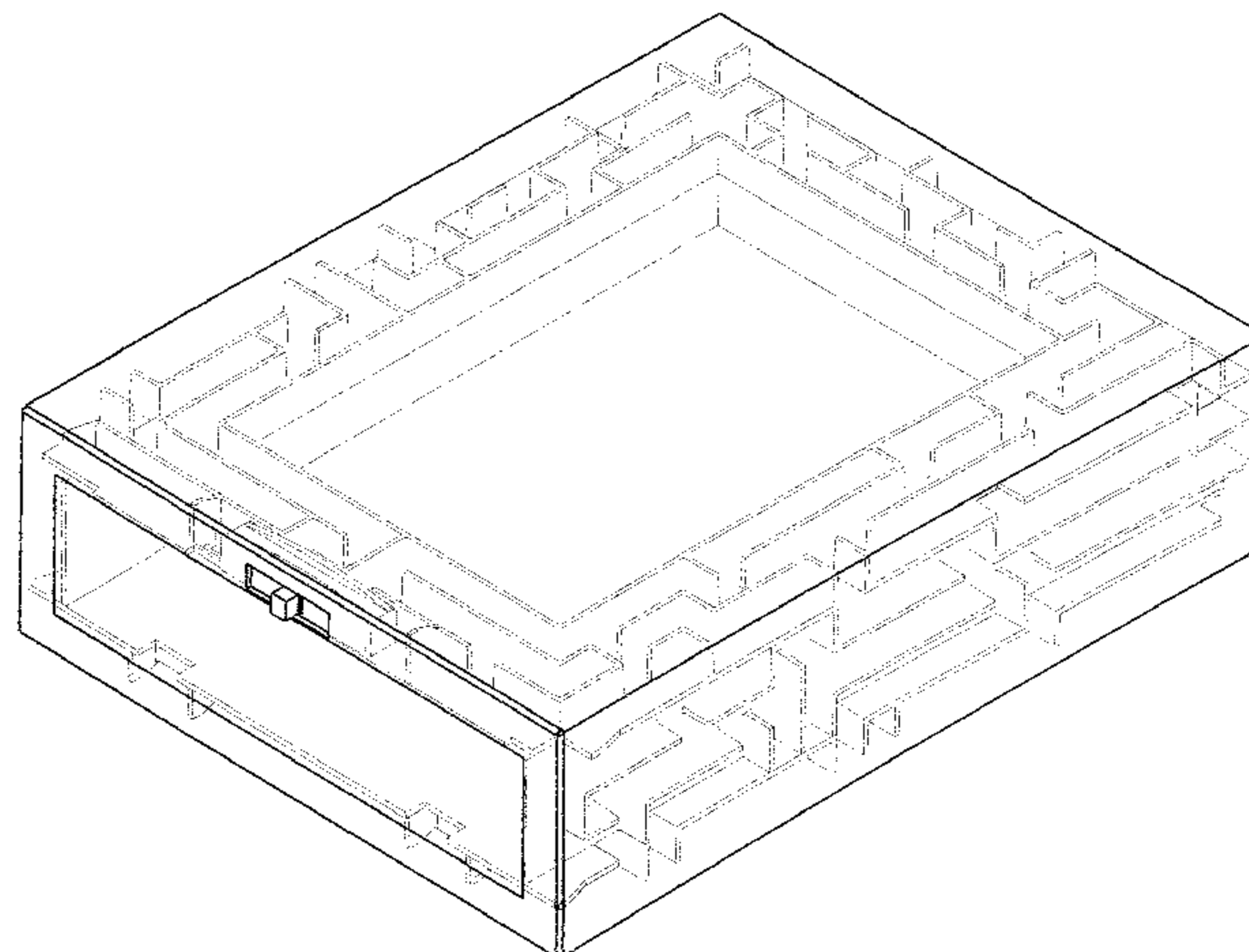
(57) **CLAIM**

The ornamental design for a gift holder puzzle box, as shown and described.

DESCRIPTION

FIG. 1 is a top plan view of a gift holder puzzle box showing my new design;
FIG. 2 is a right side elevational view thereof;
FIG. 3 is left side elevational view thereof;
FIG. 4 is a bottom plan view thereof;
FIG. 5 is a rear elevational view thereof;
FIG. 6 is a front elevational view thereof;
FIG. 7 is a perspective view of a rear side thereof; and,
FIG. 8 is a perspective view of a front side thereof.

1 Claim, 5 Drawing Sheets



US D609,089 S

Page 2

U.S. PATENT DOCUMENTS

5,145,174 A * 9/1992 Caramanoff 273/109
D345,383 S * 3/1994 Lehoux D21/340
5,310,184 A 5/1994 Grist
5,456,352 A * 10/1995 McQueeney 206/223
5,499,815 A * 3/1996 Attaya 273/109
5,520,322 A * 5/1996 Conviser 229/110
D379,381 S * 5/1997 Hermes D21/478
5,664,779 A 9/1997 Soovajian, Jr.
5,769,418 A 6/1998 Gilbert et al.
D421,357 S * 3/2000 Inda D6/518
D511,091 S * 11/2005 Liwag D9/418

7,249,674 B2 * 7/2007 Mu et al. 206/278.1
7,264,155 B2 * 9/2007 Halbur et al. 235/380
7,475,782 B2 * 1/2009 Lombardi 206/524.8
2005/0000854 A1 * 1/2005 Madigan 206/776
2005/0211601 A1 * 9/2005 Ferris 206/775
2007/0215495 A1 * 9/2007 O'Hara et al. 206/141

OTHER PUBLICATIONS

Printout from Website, <http://www.magnif.com/1200.htm>, of Money Maze Bank Product, Jan. 18, 2008.

* cited by examiner

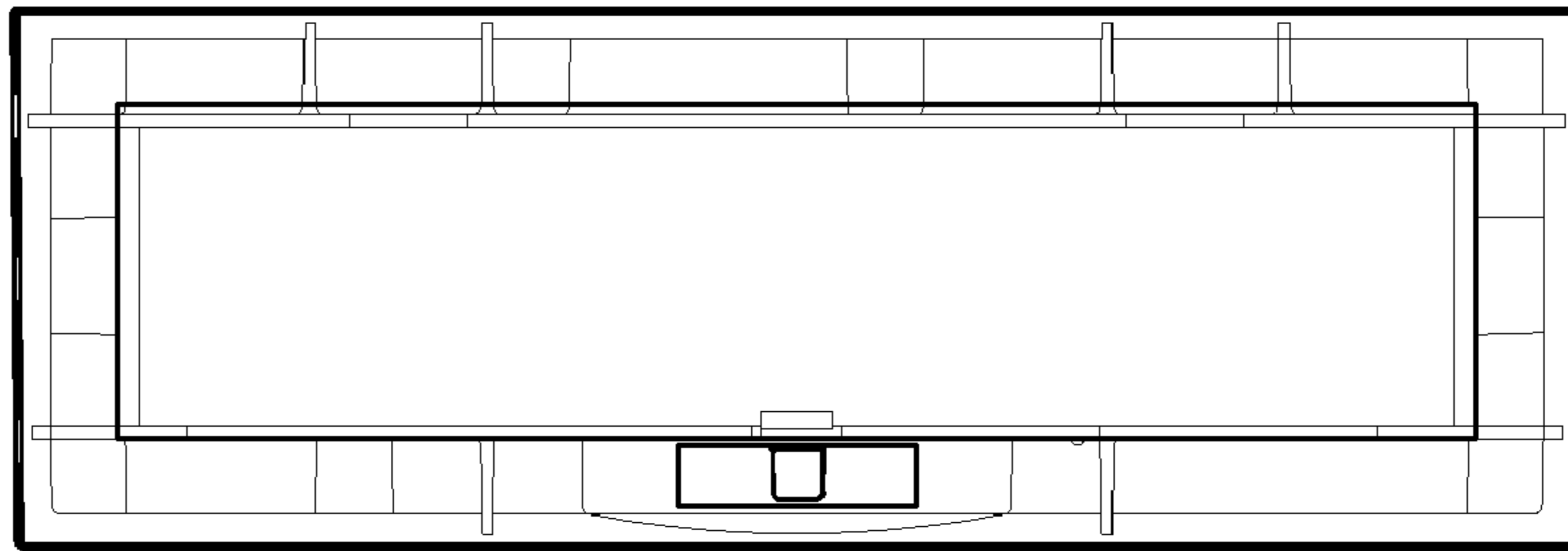


FIG. 1

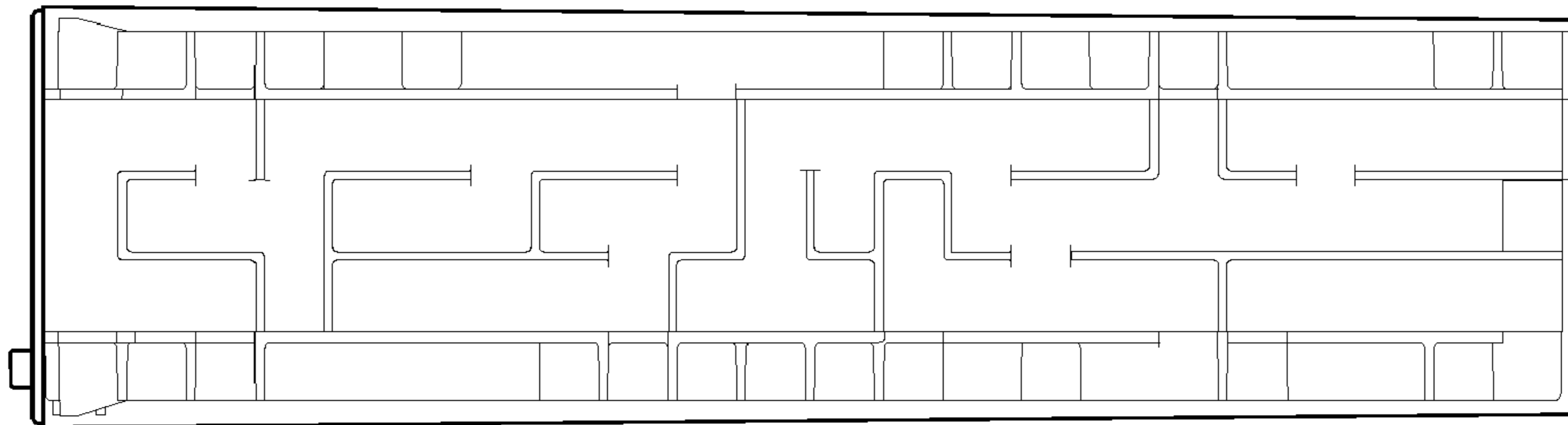


FIG. 2

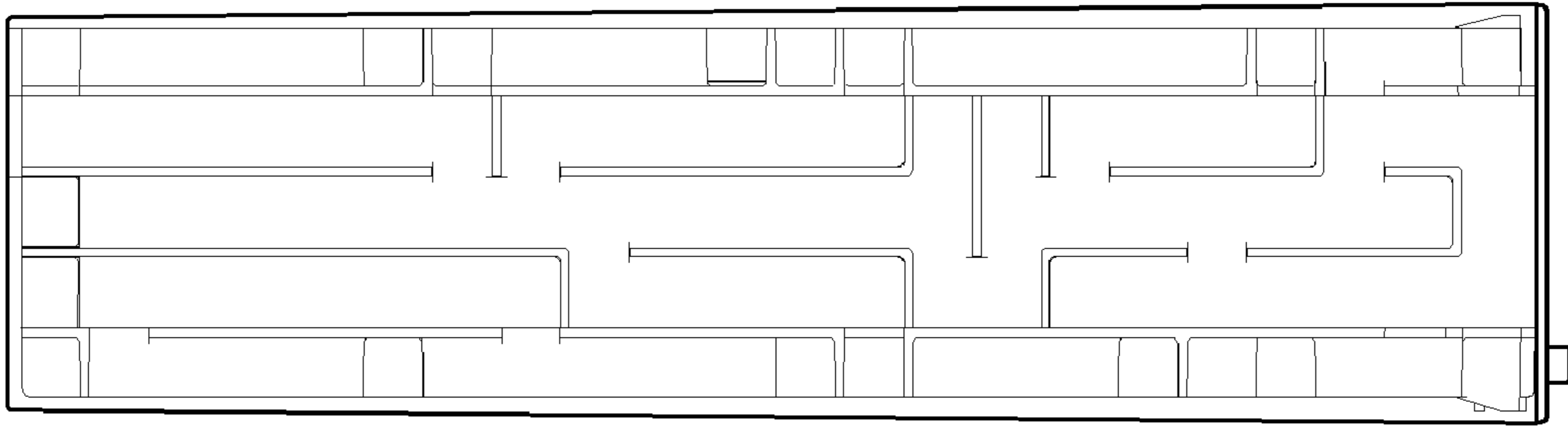


FIG. 3

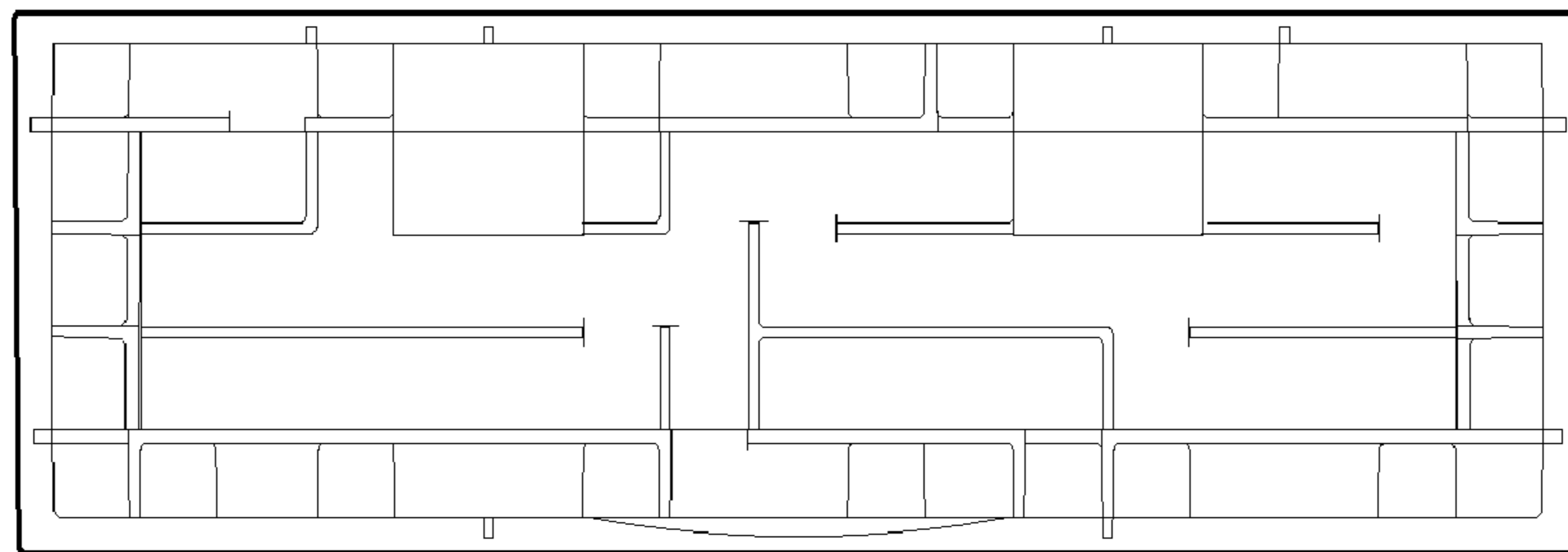


FIG. 4

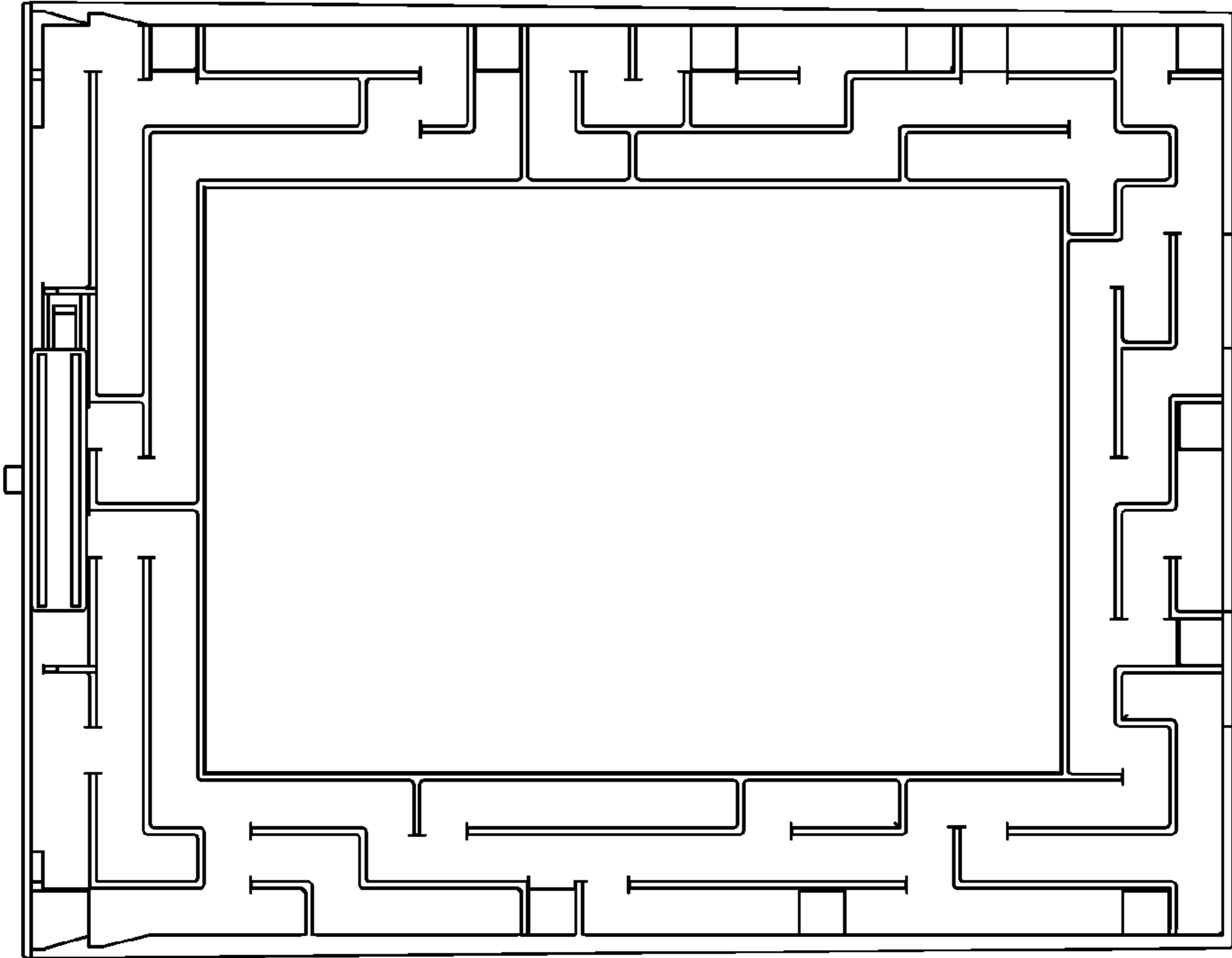


FIG. 6

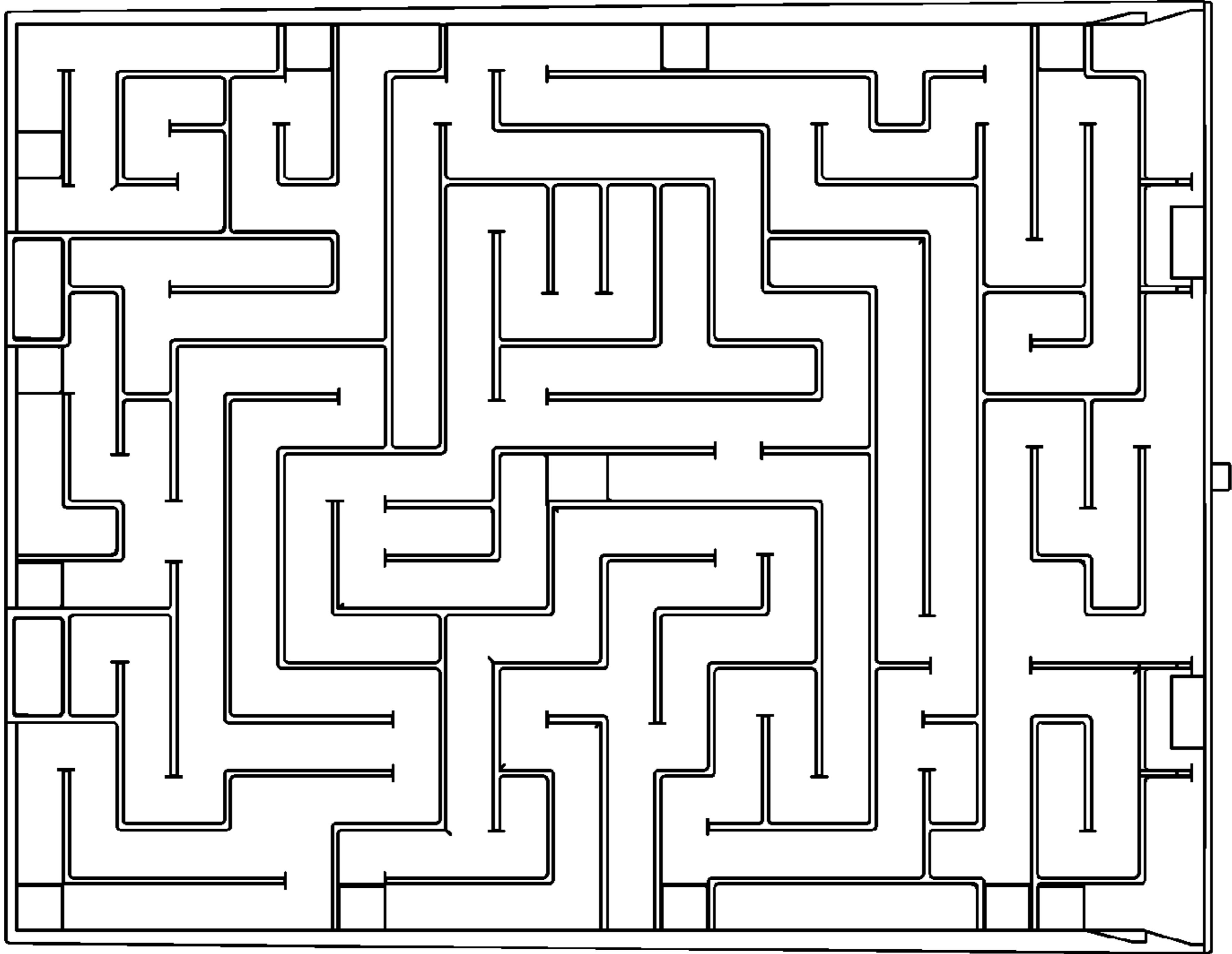


FIG. 5

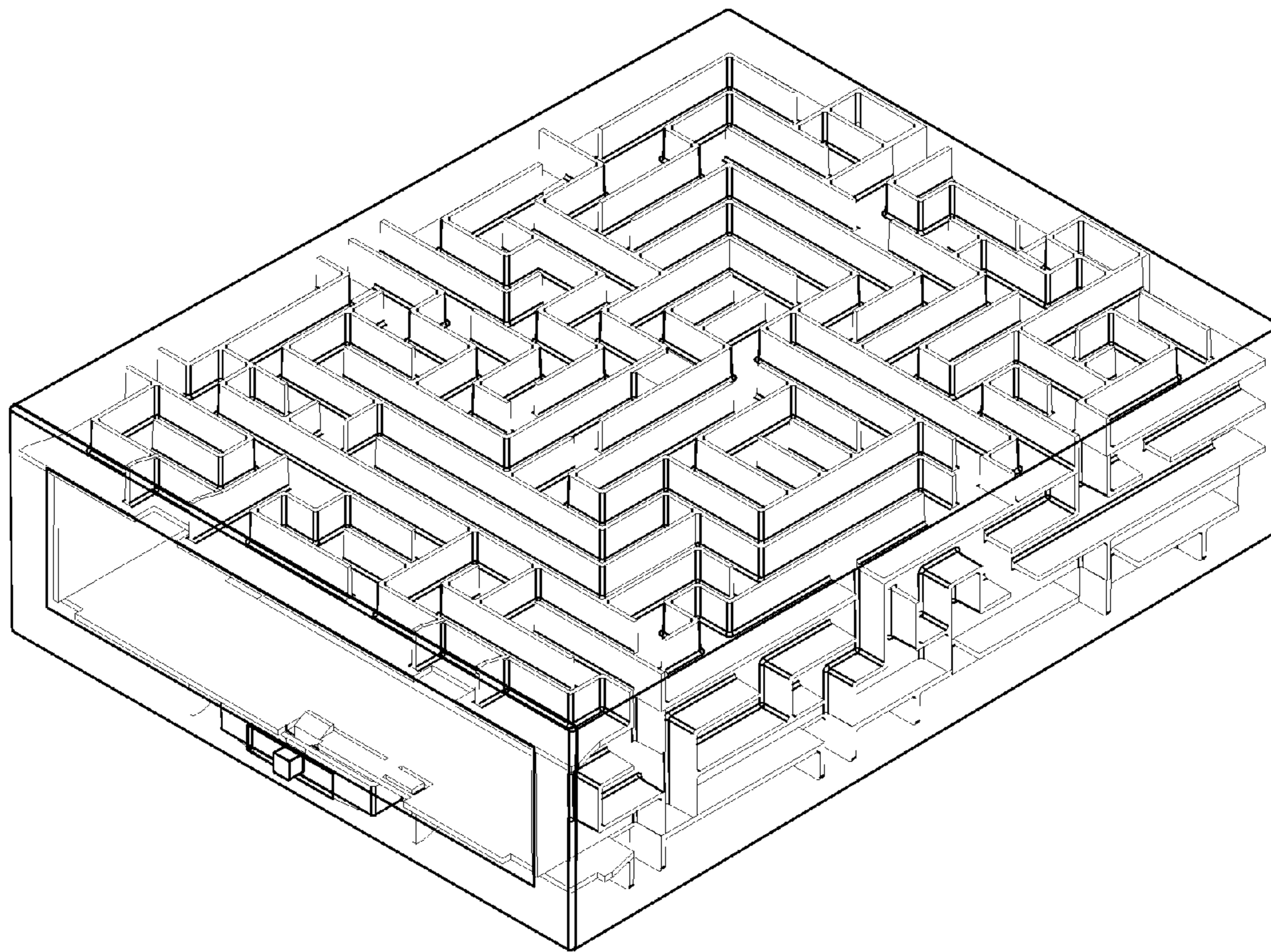


FIG. 7

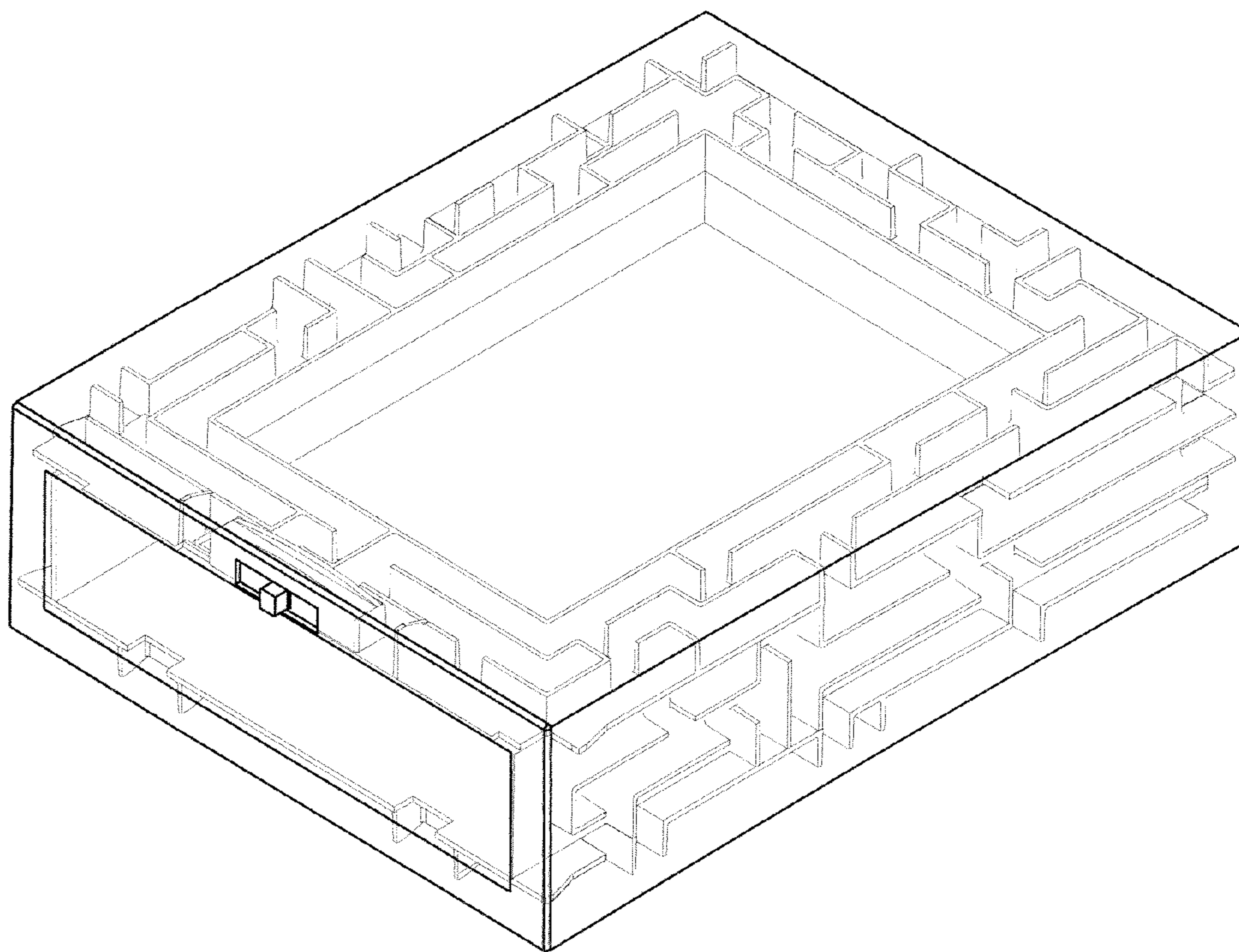


FIG. 8