



US00D609087S

(12) **United States Design Patent**  
**Dreier et al.**

(10) **Patent No.:** **US D609,087 S**

(45) **Date of Patent:** **\*\* \*Feb. 2, 2010**

(54) **SLEEVE**

(75) Inventors: **Joachim Alfred Dreier**, Weisenbach (DE); **Luciene Pierin**, Heilbronn (DE); **Stefano Trombetta**, Roletto (IT)

(73) Assignee: **Conopco, Inc.**, Englewood Cliffs, NJ (US)

(\*) Notice: This patent is subject to a terminal disclaimer.

(\*\*) Term: **14 Years**

(21) Appl. No.: **29/310,891**

(22) Filed: **Sep. 17, 2008**

(30) **Foreign Application Priority Data**

Mar. 20, 2008 (GB) ..... 4006918

(51) **LOC (9) Cl.** ..... **09-03**

(52) **U.S. Cl.** ..... **D9/430**

(58) **Field of Classification Search** ..... D9/430-433, D9/414, 418, 420-423, 711; D3/272; 206/278, 206/297, 299, 457, 770, 737, 822; 229/100, 229/101, 101.3, 106, 108, 108.1, 116.1, 116.3, 229/116.5, 121, 122, 201, 213, 221, 222, 229/227, 922, 939, 942, 87.08, 101.2, 193, 229/195, 197

See application file for complete search history.

(56) **References Cited**

**U.S. PATENT DOCUMENTS**

D56,306 S \* 9/1920 Philips ..... D9/414  
3,121,525 A \* 2/1964 Hayes ..... 206/523  
3,443,681 A \* 5/1969 Wysocki ..... 206/508  
D215,414 S \* 9/1969 Roccaforte ..... D9/416  
D222,669 S \* 11/1971 Freiman ..... D9/433  
3,784,000 A \* 1/1974 Brown ..... 426/115  
4,130,237 A \* 12/1978 Struble ..... 229/121

4,667,872 A \* 5/1987 Desmond et al. .... 229/106  
4,751,536 A \* 6/1988 Ohmura et al. .... 396/6  
4,756,419 A \* 7/1988 Le Bras ..... 206/430  
D304,017 S \* 10/1989 Oliff ..... D9/433  
D321,134 S \* 10/1991 Toinet ..... D9/415  
D337,048 S \* 7/1993 Detert et al. .... D9/418  
D343,357 S \* 1/1994 Masunaga ..... D9/422  
5,328,030 A \* 7/1994 Sutherland ..... 206/429  
5,360,113 A \* 11/1994 Harris ..... 206/427  
D379,905 S \* 6/1997 Cusanelli ..... D7/619.1  
D390,103 S \* 2/1998 Gerson ..... D9/600  
D395,601 S \* 6/1998 Miller et al. .... D9/433  
5,855,275 A \* 1/1999 Hunter et al. .... 206/429  
D415,418 S \* 10/1999 You et al. .... D9/422  
D417,617 S \* 12/1999 Jensen et al. .... D9/433  
6,202,920 B1 \* 3/2001 Auclair ..... 229/103.2  
D502,097 S \* 2/2005 Holthaus et al. .... D9/430  
D532,685 S \* 11/2006 Reussner ..... D9/416  
D587,997 S \* 3/2009 Gross ..... D9/432

\* cited by examiner

*Primary Examiner*—Robert M Spear

*Assistant Examiner*—Karen Acker

(74) *Attorney, Agent, or Firm*—Ellen Plotkin

(57) **CLAIM**

The ornamental design for a sleeve, as shown and described.

**DESCRIPTION**

FIG. 1 is a perspective view from above and one side and one end of our sleeve;

FIG. 2 is a side view of our sleeve;

FIG. 3 is a view from another side of our sleeve;

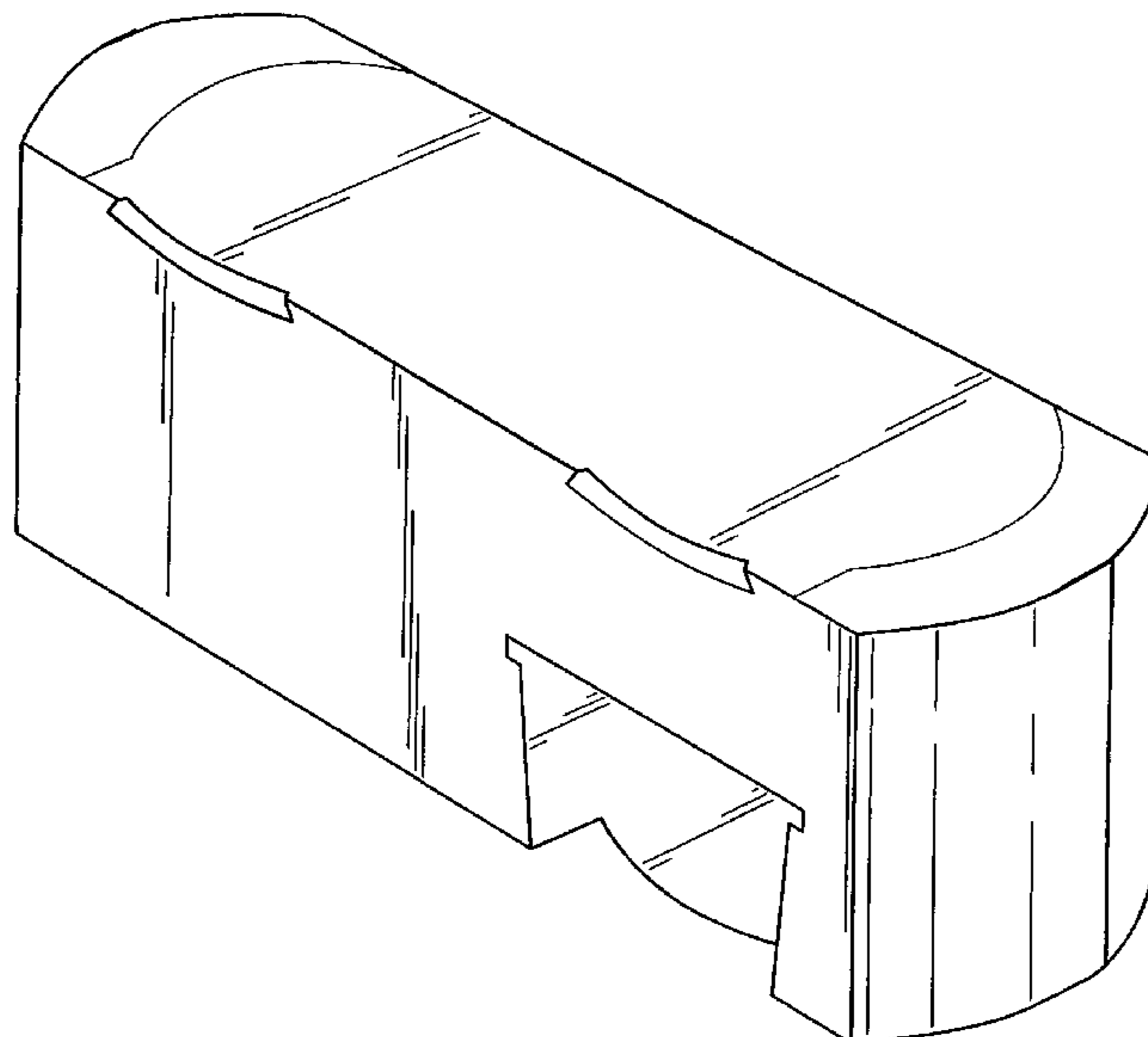
FIG. 4 is a plan view of our sleeve;

FIG. 5 is an underneath plan view of our sleeve;

FIG. 6 is an end view of our sleeve; and,

FIG. 7 is a view of the other end of our sleeve.

**1 Claim, 3 Drawing Sheets**



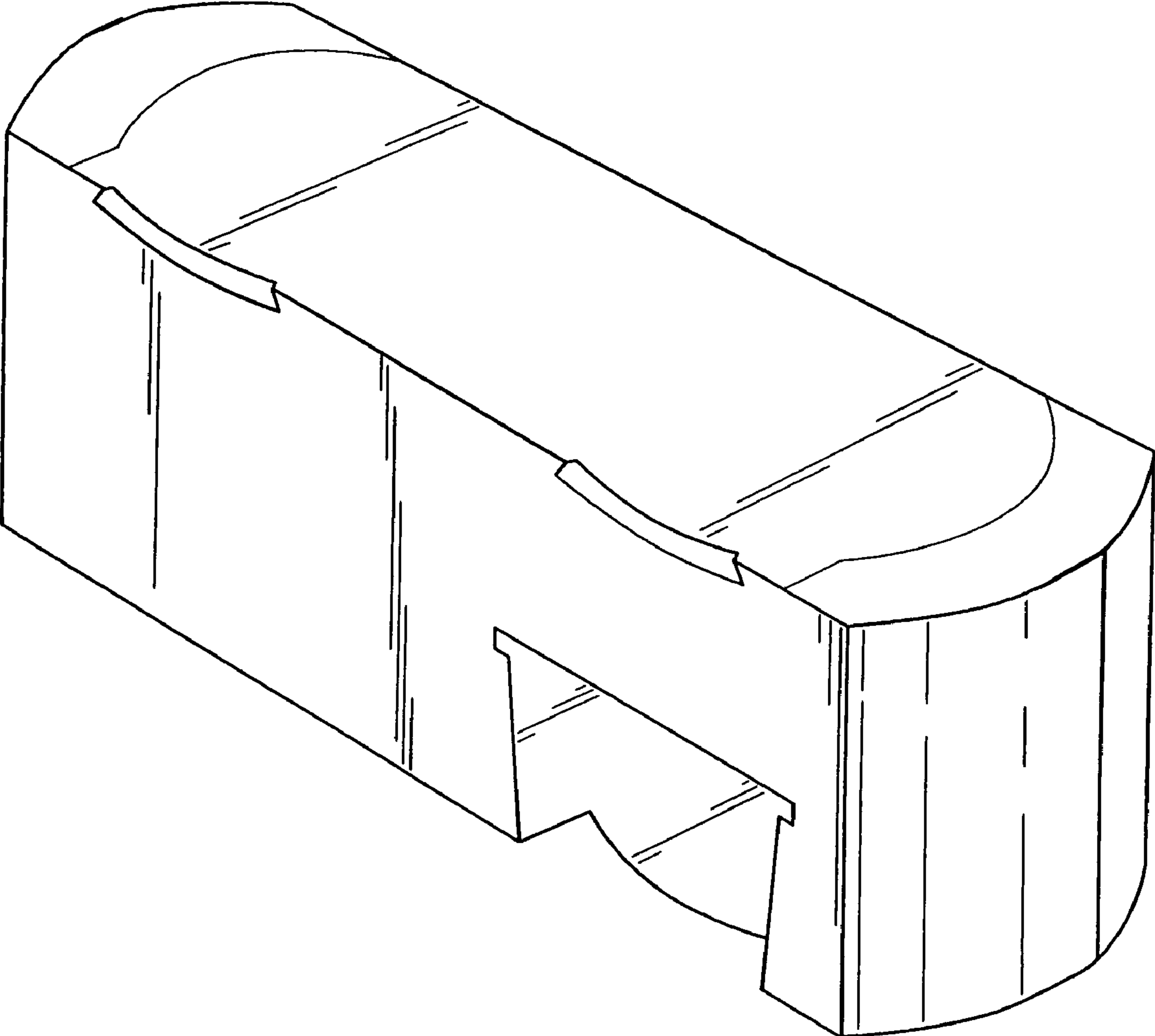


Fig. 1.

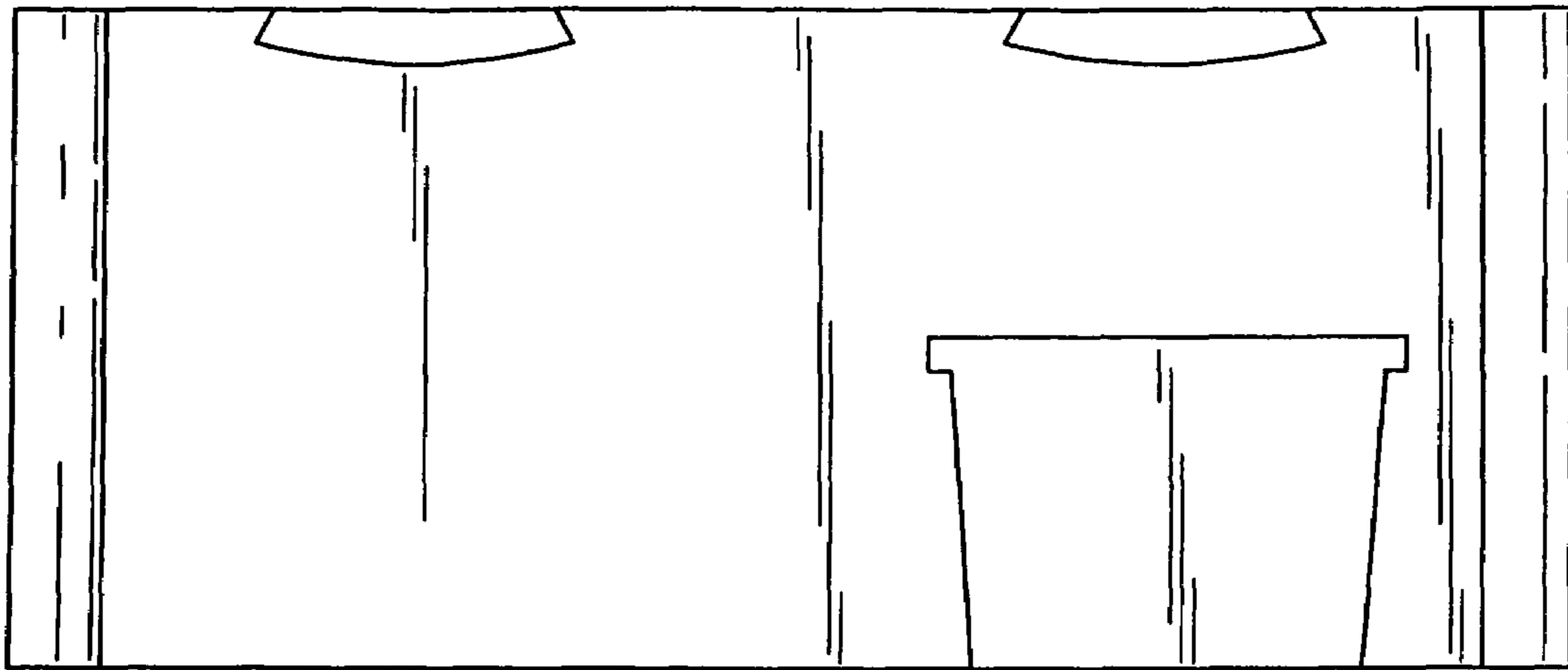


Fig.2.

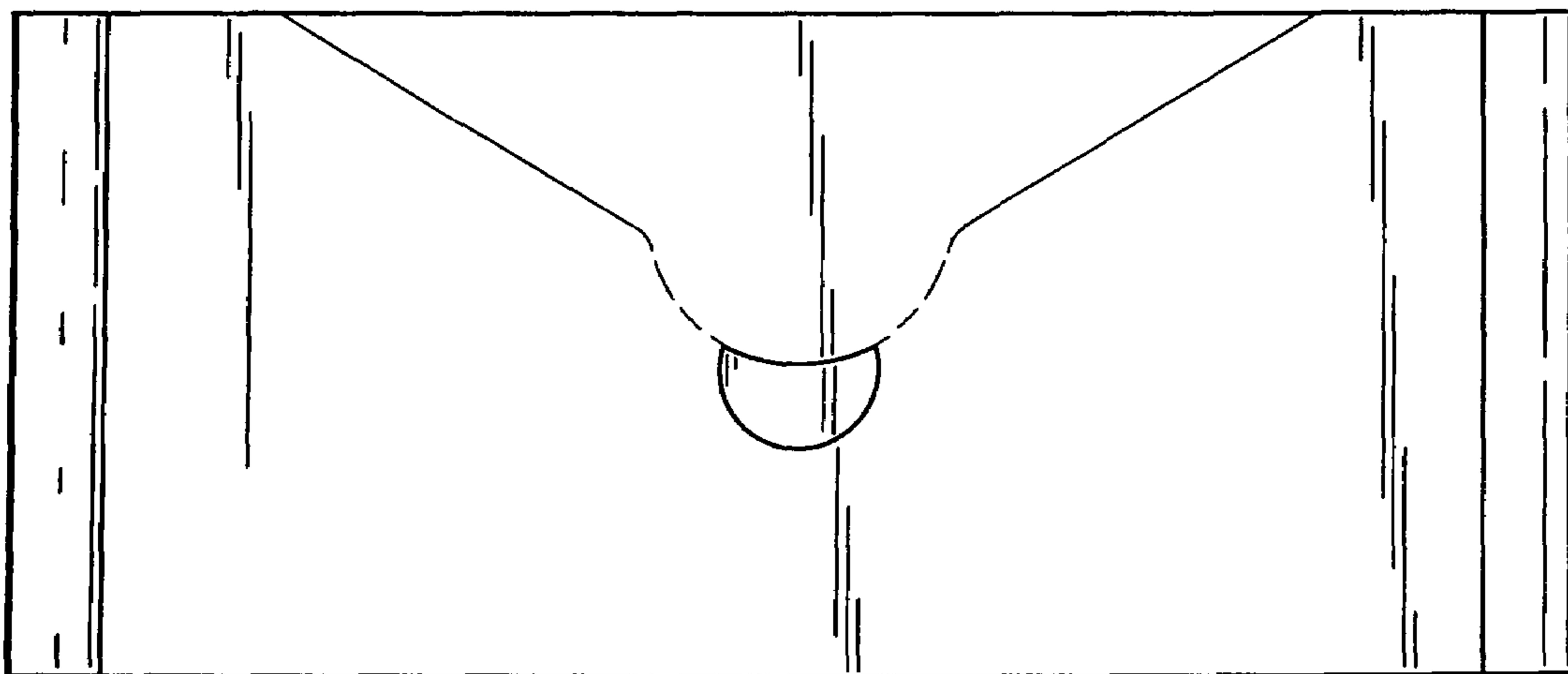


Fig.3.

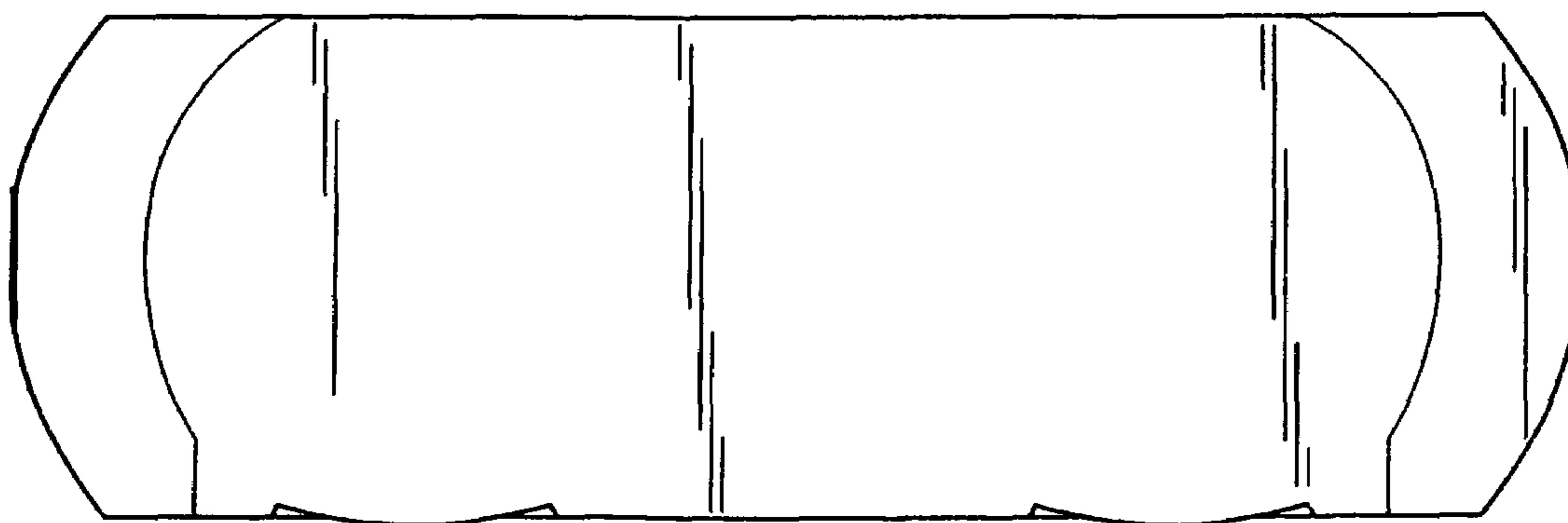


Fig.4.

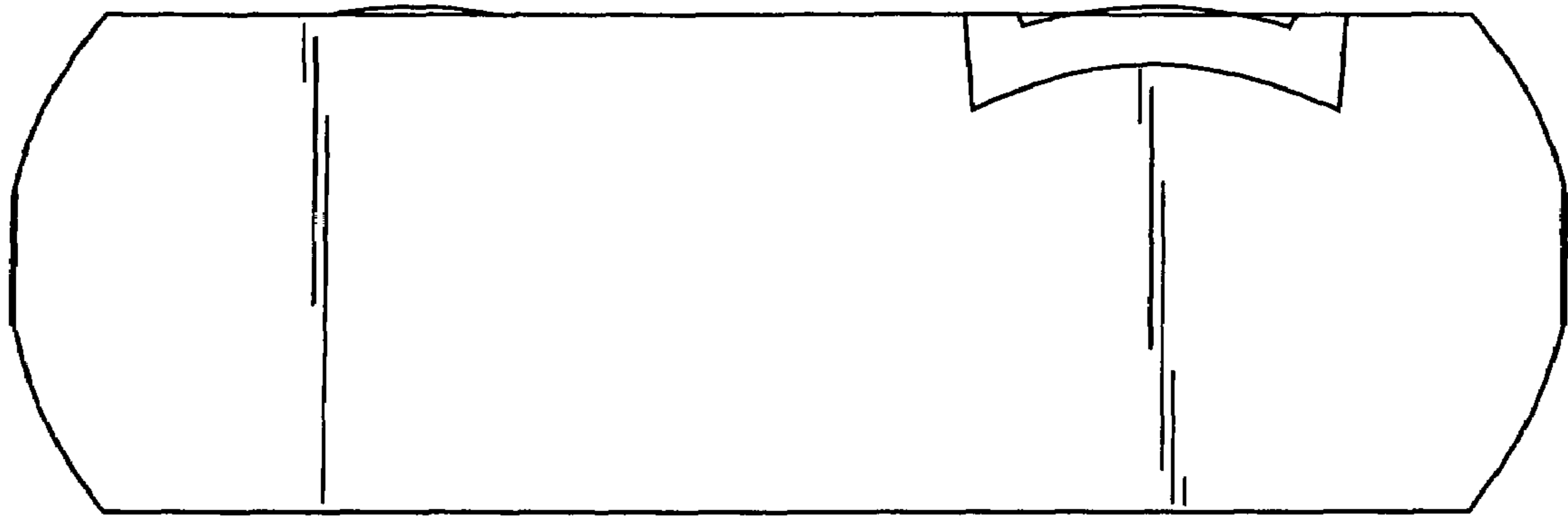


Fig. 5.

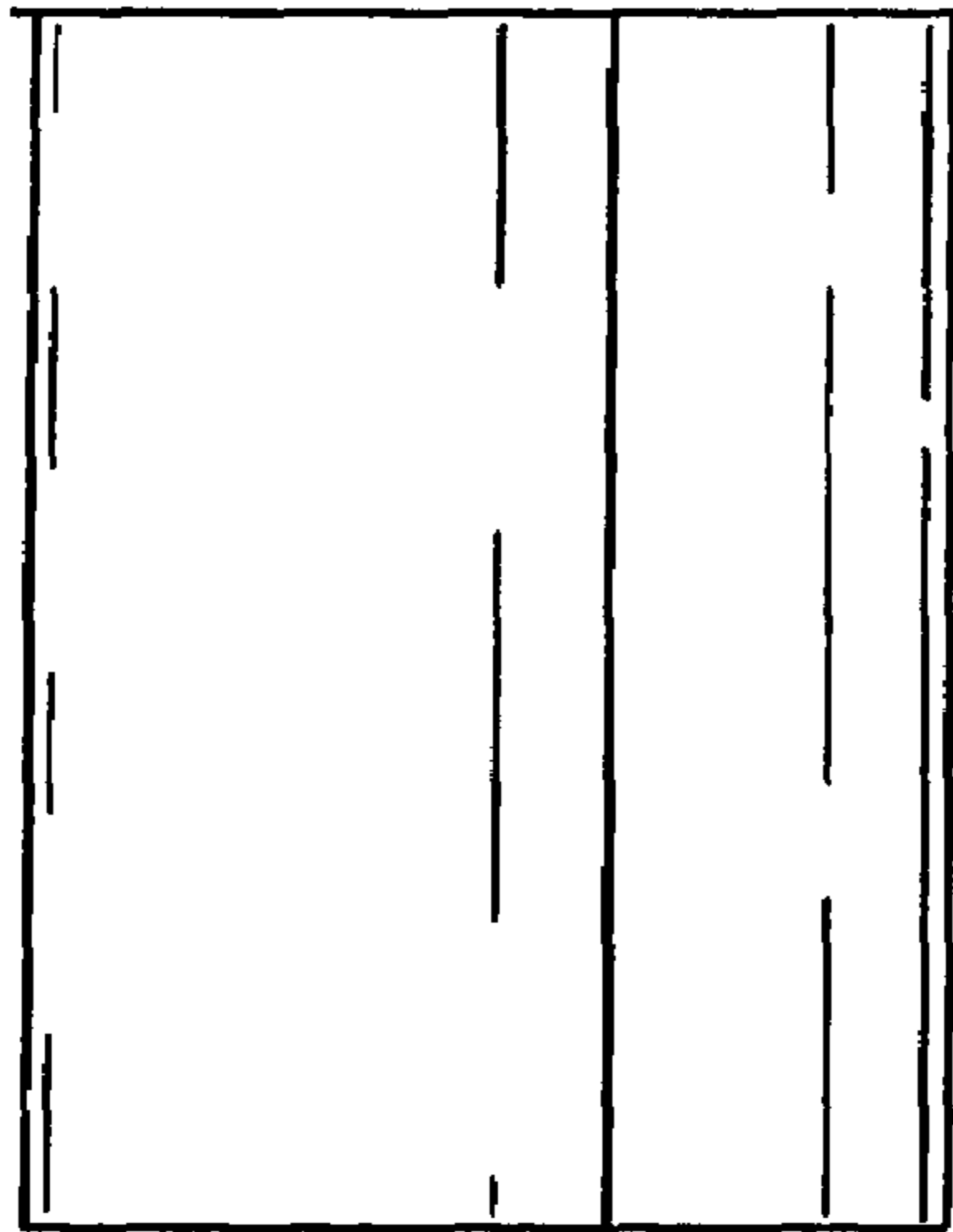


Fig. 6.

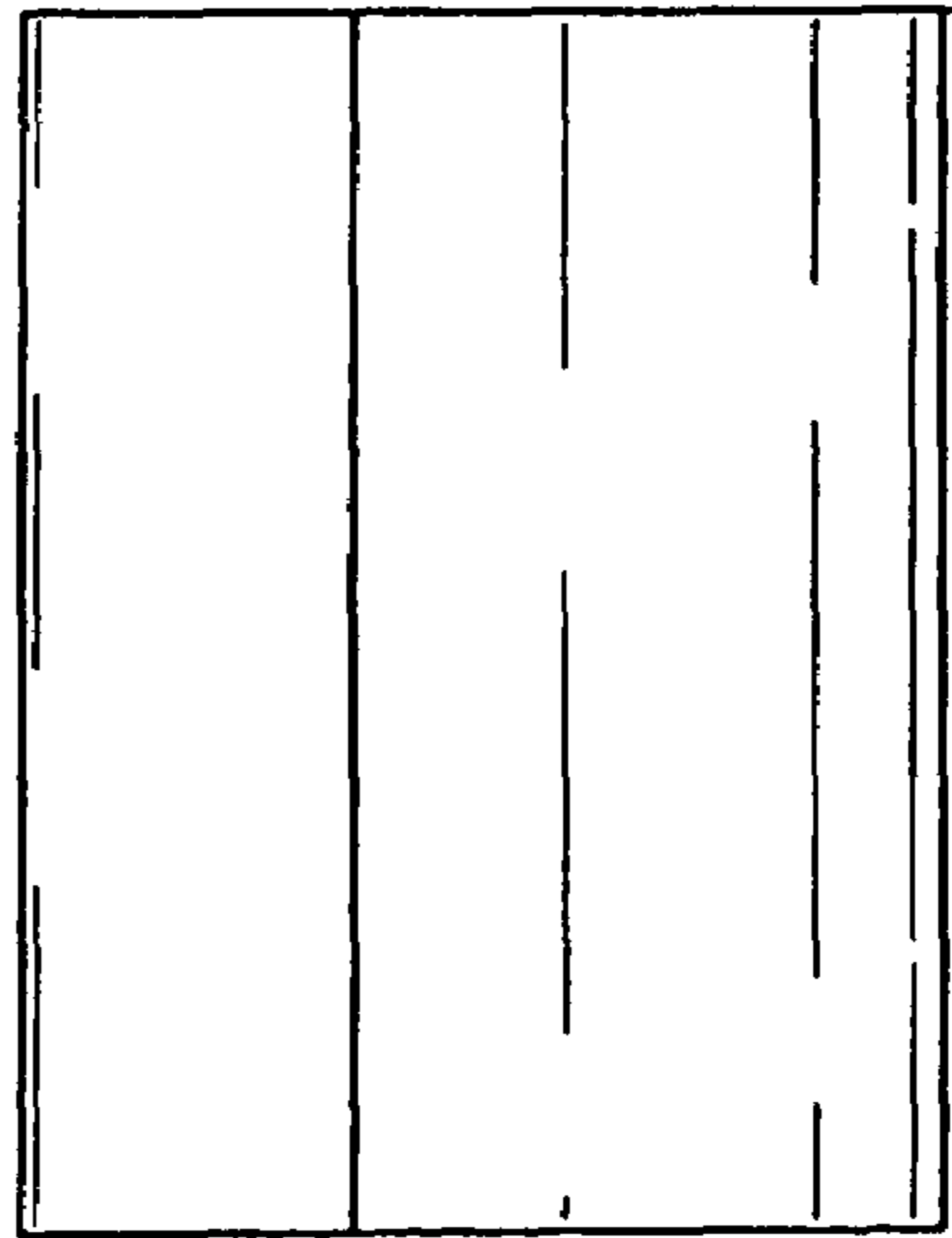


Fig. 7.