



US00D609083S

(12) **United States Design Patent**
Zemanek et al.

(10) **Patent No.:** **US D609,083 S**
(45) **Date of Patent:** **** Feb. 2, 2010**

(54) **ELONGATED-OBJECTS HOLDER**

D454,483 S * 3/2002 Wolf D8/394
D484,373 S * 12/2003 Ross D8/13
D531,889 S * 11/2006 Woltmann et al. D8/382

(75) Inventors: **Paul Zemanek**, 516 Orlando Way,
Vancouver, WA (US) 98664; **Ladislav
Rohm**, Bratislava (SK)

* cited by examiner

(73) Assignee: **Paul Zemanek**, Vancouver, WA (US)

Primary Examiner—T. Chase Nelson
Assistant Examiner—John Windmuller

(**) Term: **14 Years**

(57) **CLAIM**

(21) Appl. No.: **29/256,920**

The ornamental design for an elongated-objects holder, as shown and described.

(22) Filed: **Mar. 28, 2006**

(51) **LOC (9) Cl.** **08-08**

(52) **U.S. Cl.** **D8/395; D8/396**

(58) **Field of Classification Search** D8/356,
D8/371, 394–396; 24/570; 248/74.2, 215,
248/227.1, 49, 300, 301, 316.7, 51, 489;
D19/65, 56

See application file for complete search history.

DESCRIPTION

FIG. 1 is a front perspective view of an elongated-objects holder showing our new design;

FIG. 2 is a rear perspective view thereof;

FIG. 3 is a left side view thereof;

FIG. 4 is a front view thereof;

FIG. 5 is a rear view thereof;

FIG. 6 is a top view thereof;

FIG. 7 is a left side view thereof in use;

FIG. 8 is a front view thereof in use; and,

FIG. 9 is a top view thereof in use.

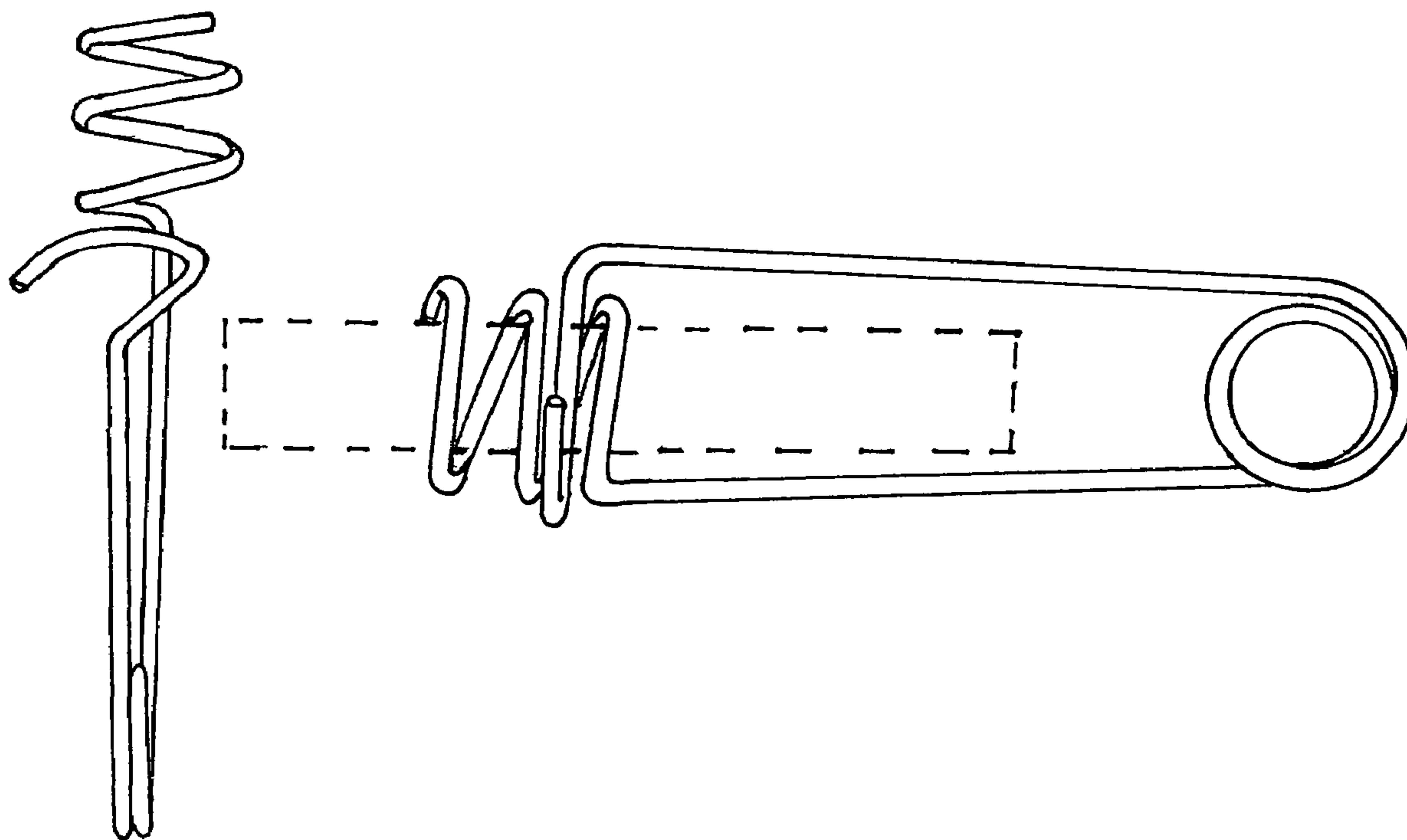
The broken lines showing an elongated object form no part of the claimed design.

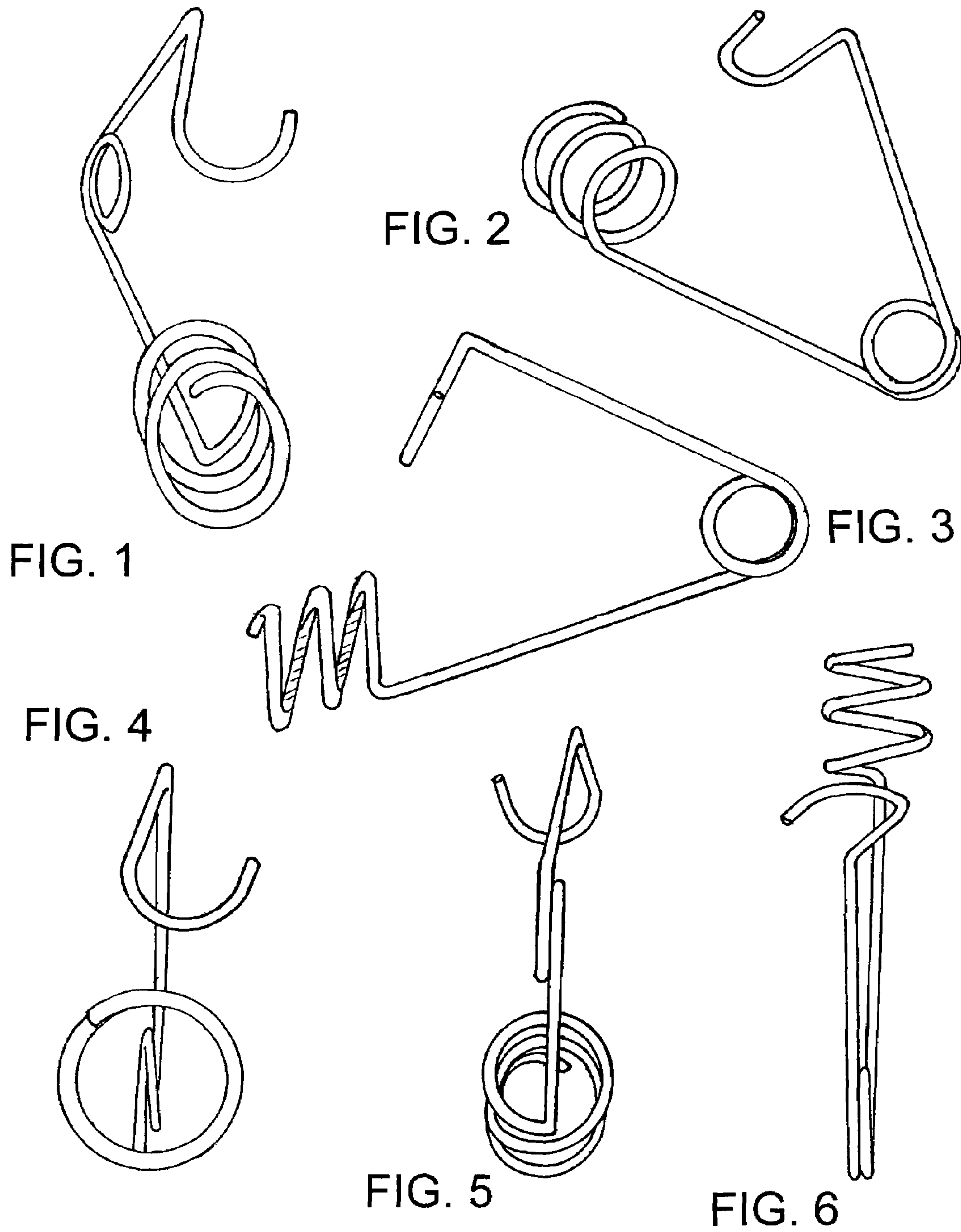
(56) **References Cited**

U.S. PATENT DOCUMENTS

D32,573 S * 4/1900 Storrs D26/141
D34,263 S * 3/1901 Bailey D8/395
3,323,772 A * 6/1967 Dupree et al. 248/499
D310,955 S * 10/1990 Platten D8/382
D312,037 S * 11/1990 Carlson D8/356
5,141,192 A * 8/1992 Adams 248/231.81
D385,303 S * 10/1997 Anders D19/65
D434,309 S * 11/2000 Kalat D8/395

1 Claim, 2 Drawing Sheets





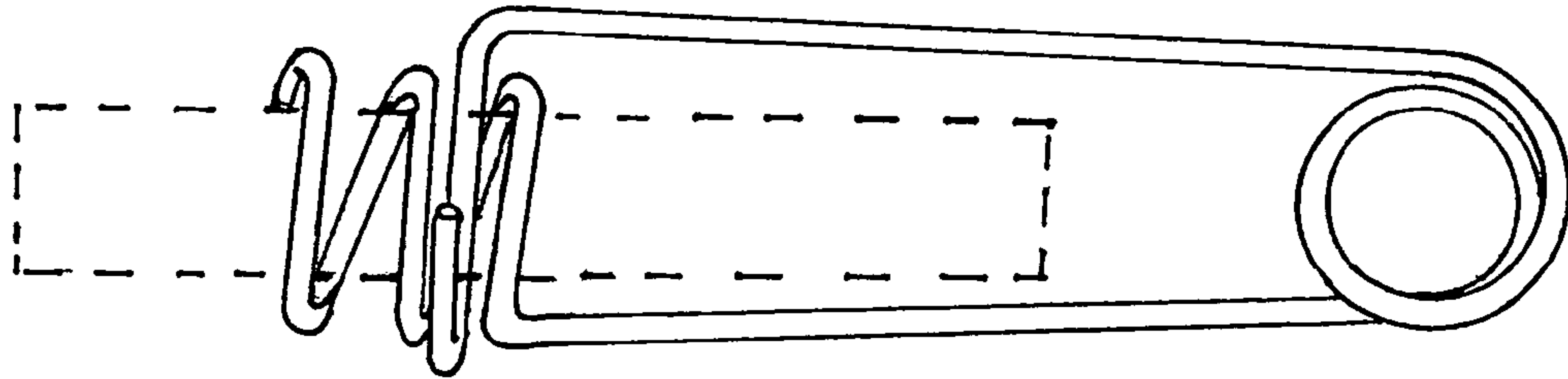


FIG. 7

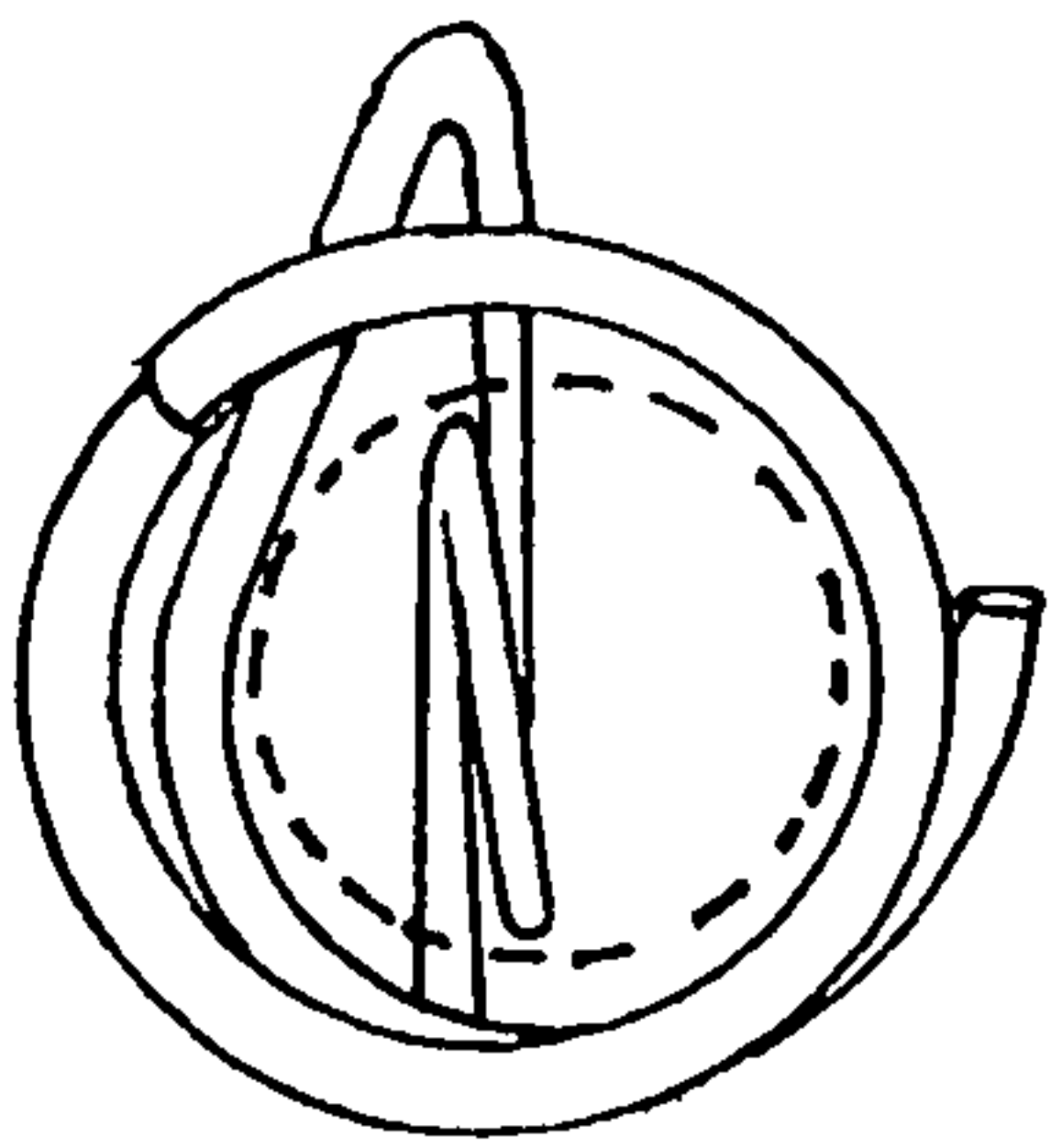


FIG. 8

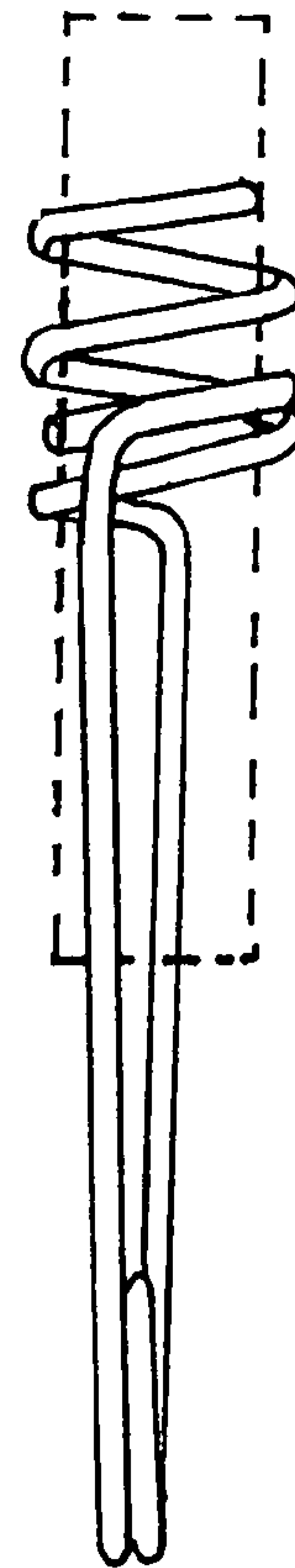


FIG. 9