



US00D609082S

(12) **United States Design Patent**
Camisasca et al.

(10) **Patent No.:** **US D609,082 S**
(45) **Date of Patent:** **** Feb. 2, 2010**

(54) **FLIP-TOP HARDWARE HIDER CAP**

(75) Inventors: **Henry P. Camisasca**, Irvine, CA (US);
John Van, Anaheim, CA (US)

(73) Assignee: **Camisasca Automotive Manufacturing, Inc.**, Lake Forest, CA (US)

(**) Term: **14 Years**

(21) Appl. No.: **29/331,186**

(22) Filed: **Jan. 21, 2009**

(51) **LOC (9) Cl.** **08-08**

(52) **U.S. Cl.** **D8/382**

(58) **Field of Classification Search** D8/387,
D8/382, 499; D11/226; 411/429, 373, 404,
411/431, 432

See application file for complete search history.

(56) **References Cited**

U.S. PATENT DOCUMENTS

1,152,960	A *	9/1915	Moloney	411/373
1,673,486	A *	6/1928	Berge	470/3
2,345,949	A	4/1944	Robbins		
4,214,505	A	7/1980	Aimar		
4,302,137	A	11/1981	Hart		
4,400,123	A	8/1983	Dunegan		
4,413,374	A	11/1983	Ferdinand et al.		
4,521,146	A	6/1985	Wharton		
4,582,462	A *	4/1986	Thiel	411/372.5
D284,265	S *	6/1986	Resan	D8/382
4,601,624	A	7/1986	Hill		
4,611,379	A	9/1986	Heitzman		
4,621,230	A	11/1986	Crouch et al.		
4,701,089	A	10/1987	Nettel		
4,726,723	A	2/1988	Bainbridge		
4,732,517	A	3/1988	Crouch et al.		
D359,294	S *	6/1995	Szabo	D15/199
D359,295	S *	6/1995	Szabo	D15/199
D359,970	S *	7/1995	Szabo	D15/199
5,517,730	A *	5/1996	Ho	24/92
D380,668	S *	7/1997	Nakamura	D8/387
5,653,564	A *	8/1997	Nakamura	411/373
D386,068	S *	11/1997	Nakamura	D8/387

5,752,795	A	5/1998	D'Adamo		
5,870,934	A	2/1999	Cullinan		
5,890,859	A	4/1999	Hasnik		
5,997,229	A *	12/1999	Akers	411/373
6,135,691	A	10/2000	Nadarajah et al.		
6,273,658	B1	8/2001	Patterson et al.		
6,494,658	B1	12/2002	Roy		
D483,252	S *	12/2003	Williamson	D8/387

(Continued)

Primary Examiner—Holly H Baynham

Assistant Examiner—Sheryl Lane

(74) *Attorney, Agent, or Firm*—Knobbe, Martens, Olson & Bear, LLP

(57) **CLAIM**

The ornamental design for a flip-top hardware hider cap, as shown and described.

DESCRIPTION

FIG. 1 is a front, top, and right side perspective view of a flip-top hardware hider cap embodying our new design;

FIG. 2 is a rear elevational view thereof;

FIG. 3 is a front elevational view thereof;

FIG. 4 is a top plan view thereof;

FIG. 5 is a bottom plan view thereof;

FIG. 6 is a right side elevational view thereof;

FIG. 7 is a left side elevational view thereof;

FIG. 8 is a cross-sectional view thereof taken along line 8—8 in the drawing of FIG. 6;

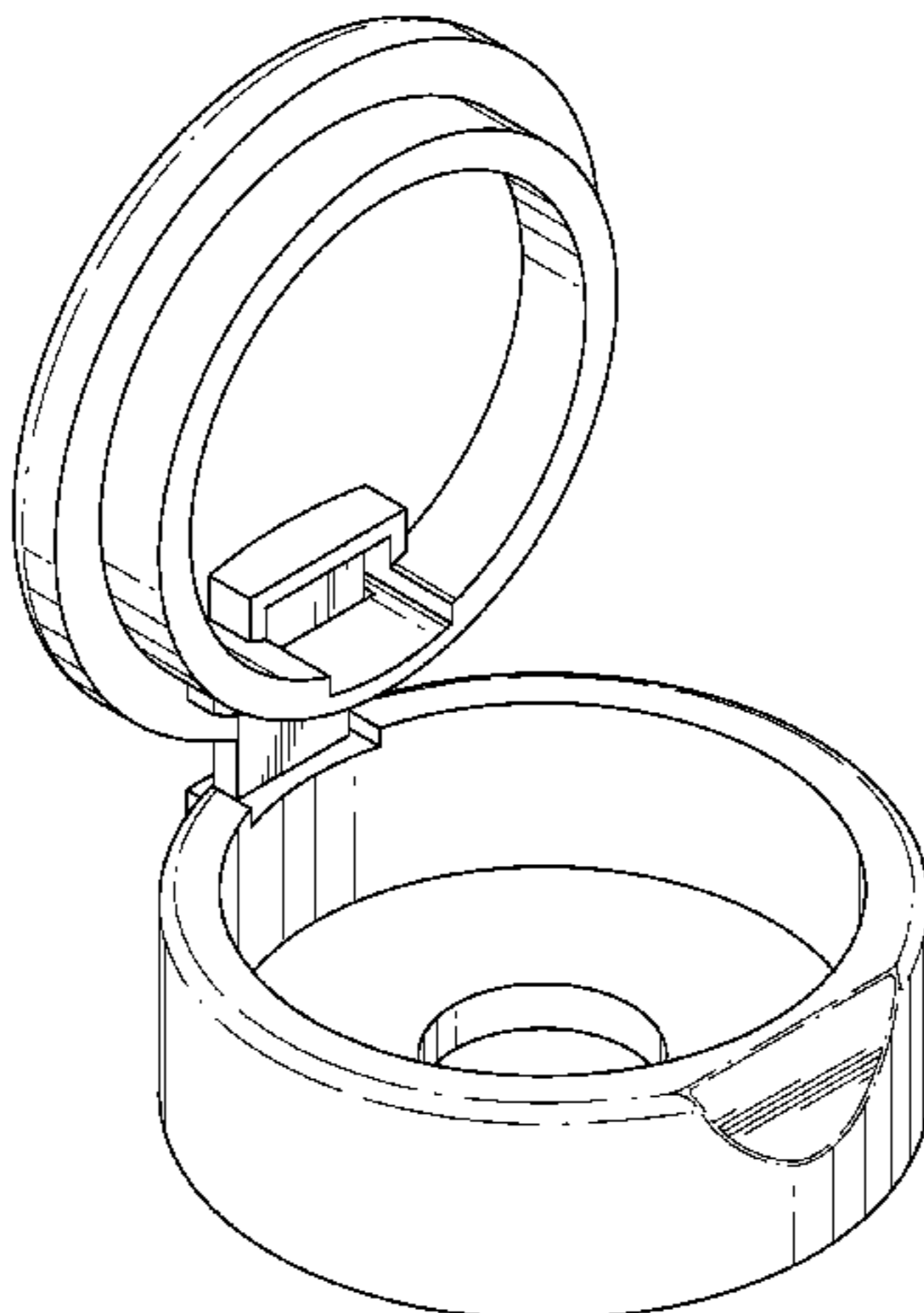
FIG. 9 is a front, top, and right side perspective view thereof, with the lid portion opened;

FIG. 10 is a rear, bottom, and right side perspective view thereof, with the lid portion opened; and,

FIG. 11 is a perspective view of four of the flip-top hardware hider caps as used, for example, on license plate hardware.

All features illustrated in phantom line are expressly disclaimed and form no part of the claimed design.

1 Claim, 8 Drawing Sheets



US D609,082 S

Page 2

U.S. PATENT DOCUMENTS

6,719,511 B2 4/2004 Notaro et al.
6,923,230 B2 8/2005 Airoidi et al.
7,004,701 B2 2/2006 Ross

7,351,020 B1 4/2008 Notaro et al.
7,445,414 B1 11/2008 Notaro et al.
2008/0044254 A1 2/2008 Wilson

* cited by examiner

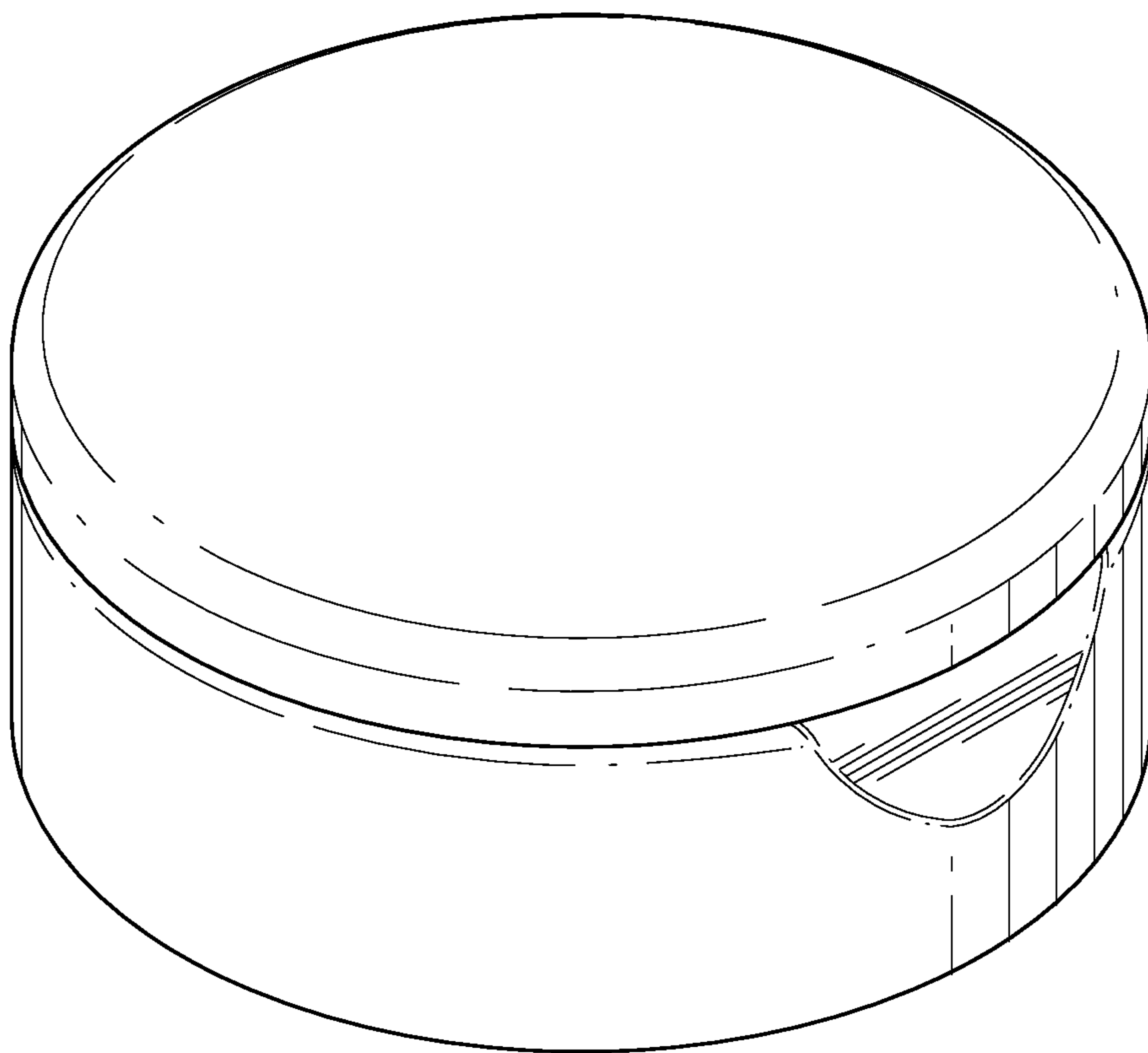


FIG. 1

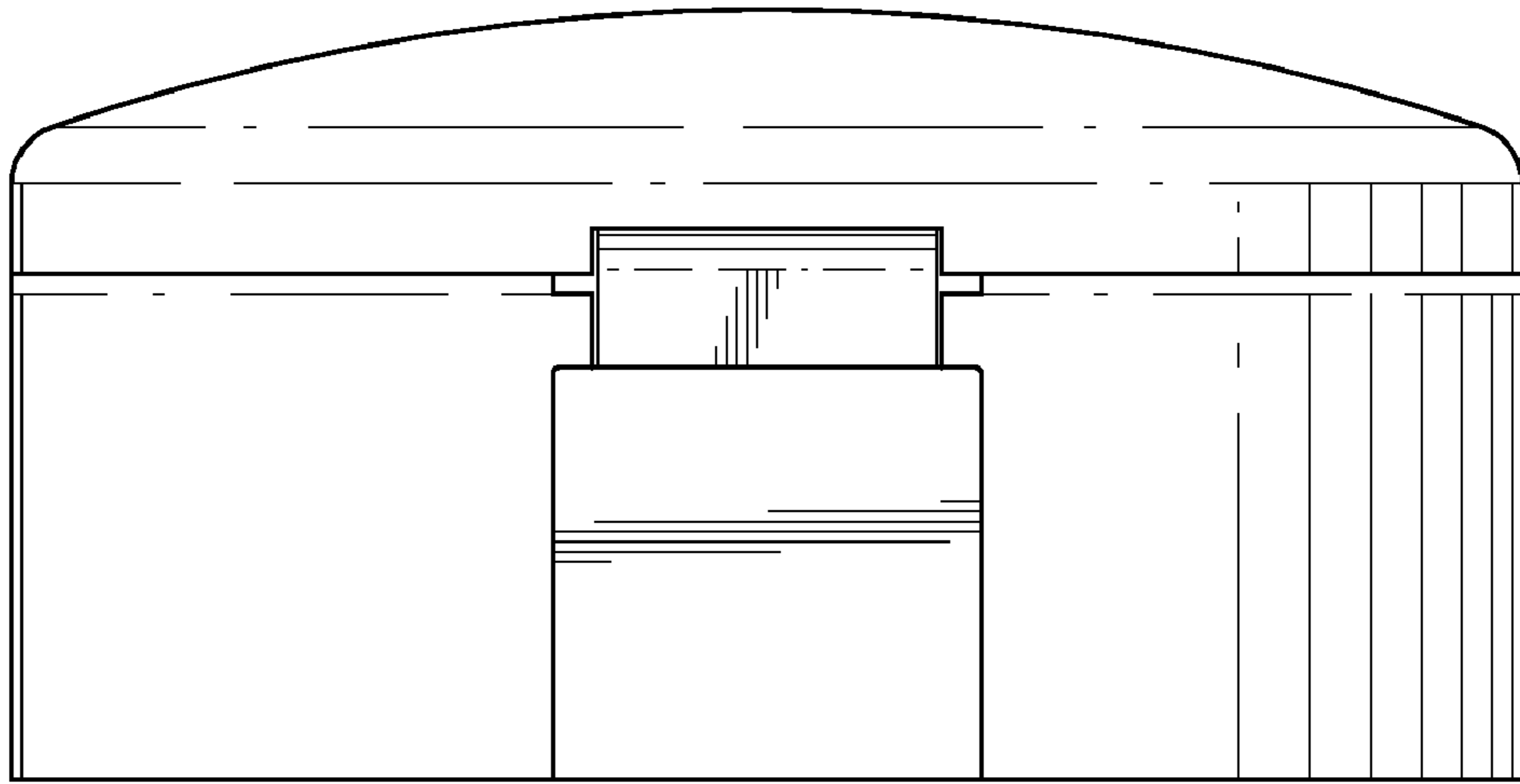


FIG. 2

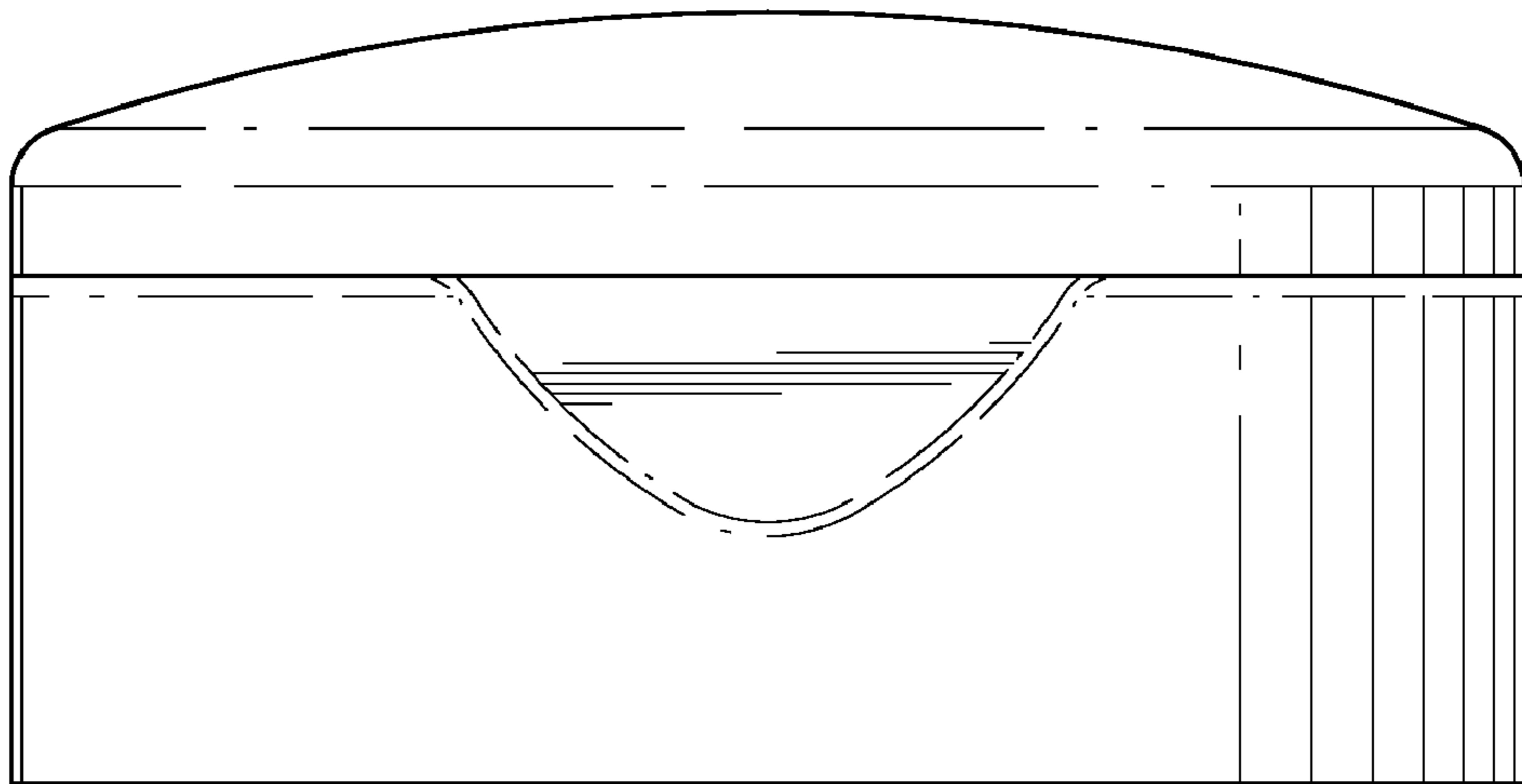


FIG. 3

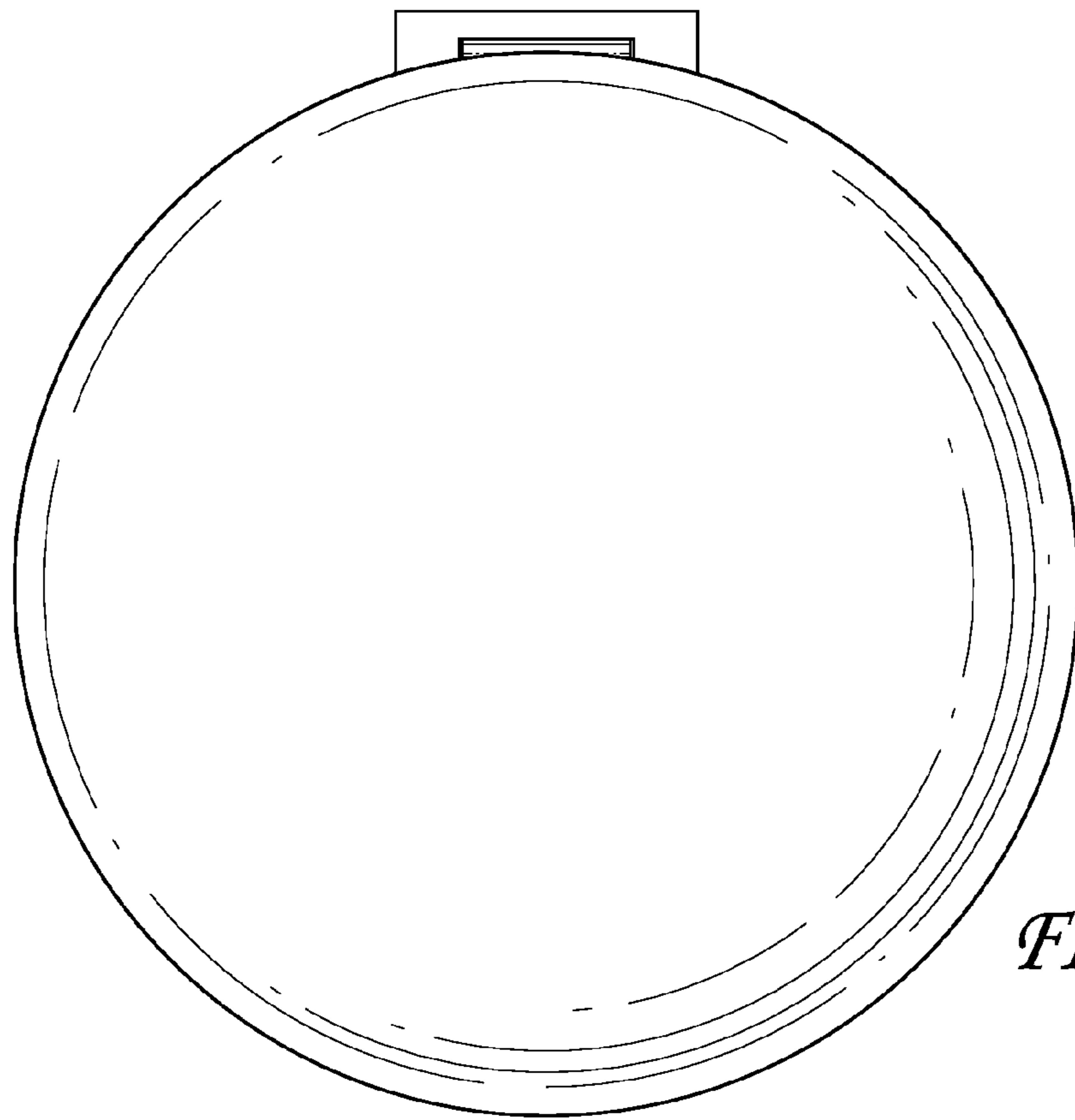


FIG. 4

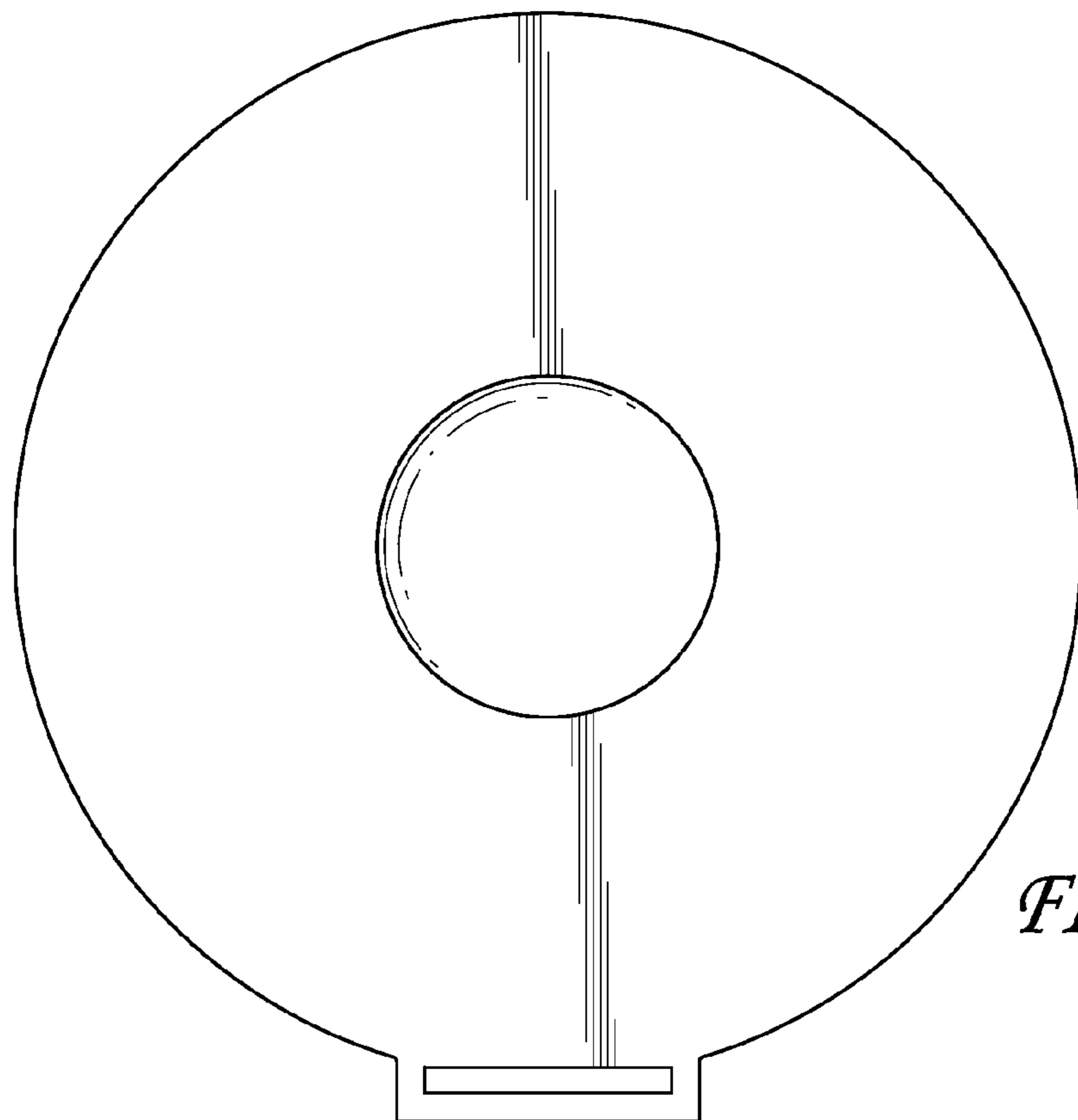


FIG. 5

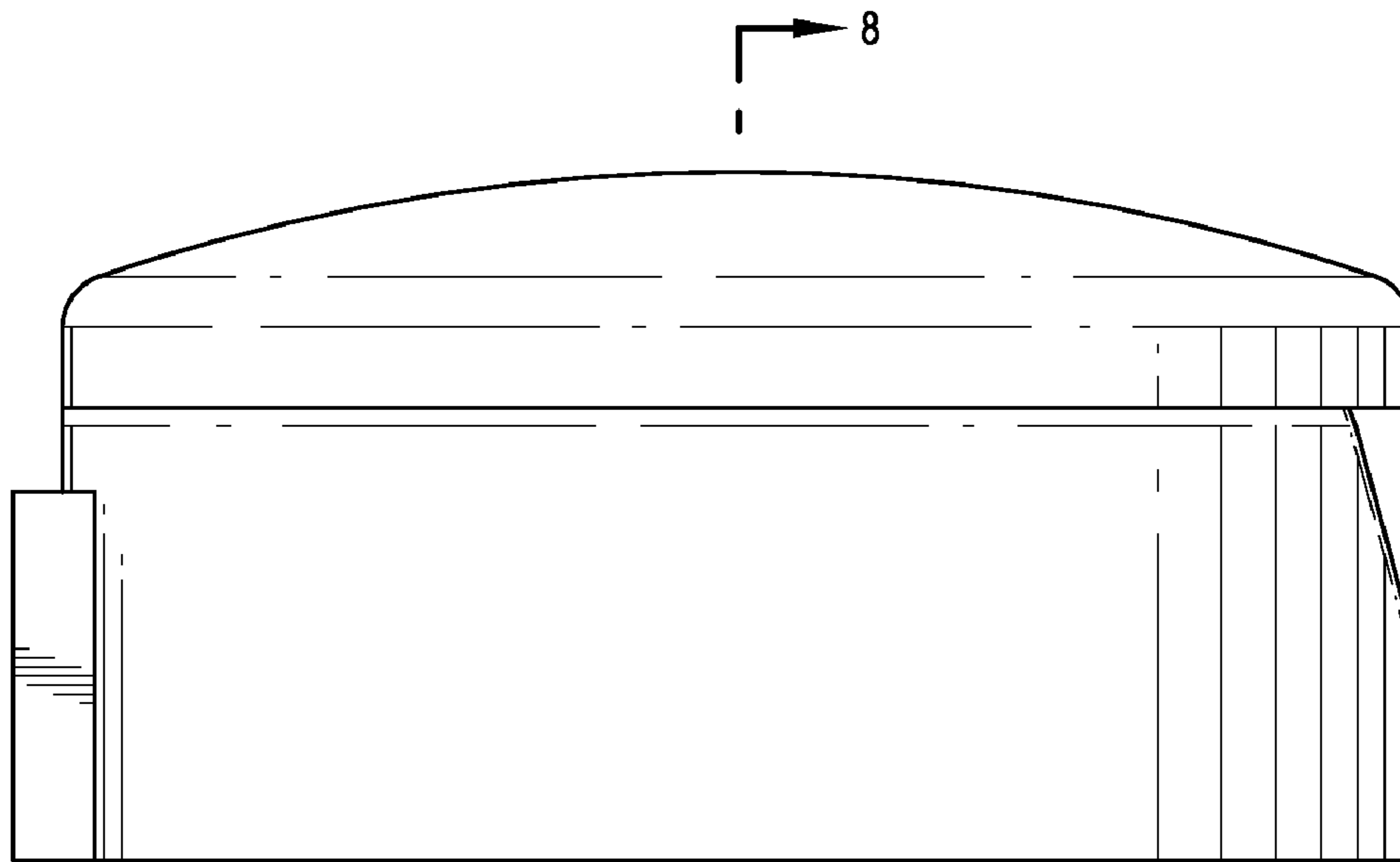


FIG. 6

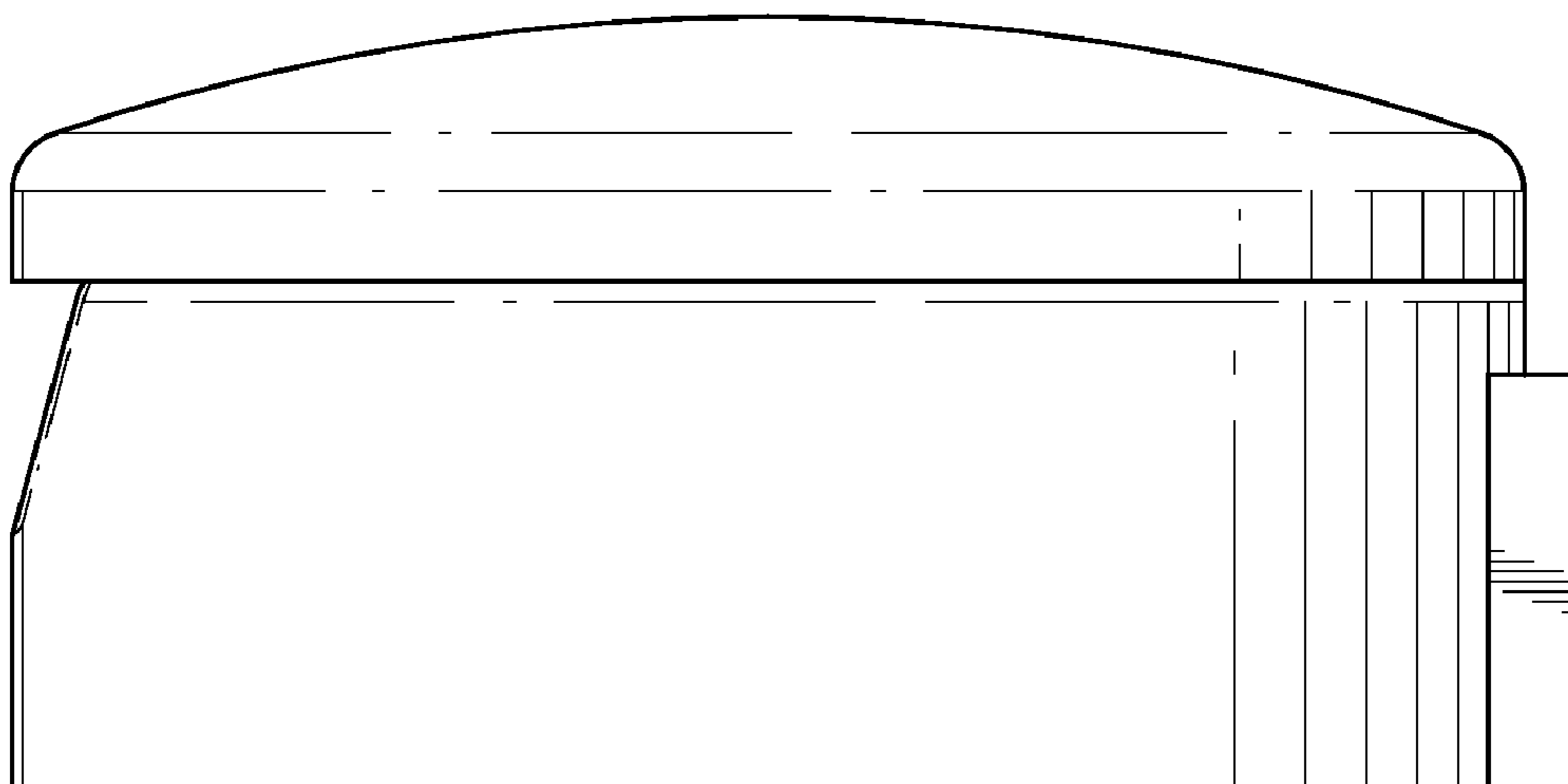


FIG. 7

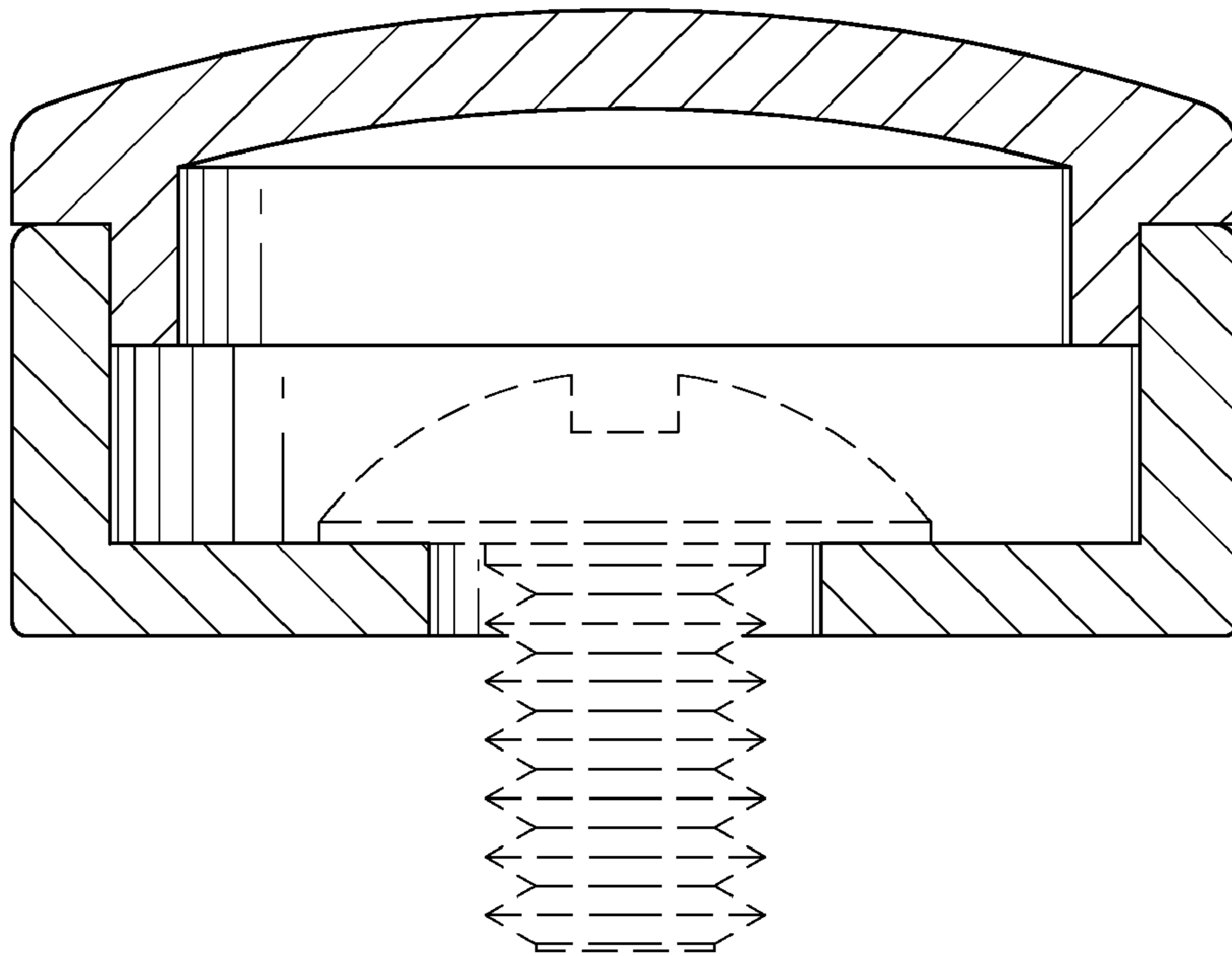


FIG. 8

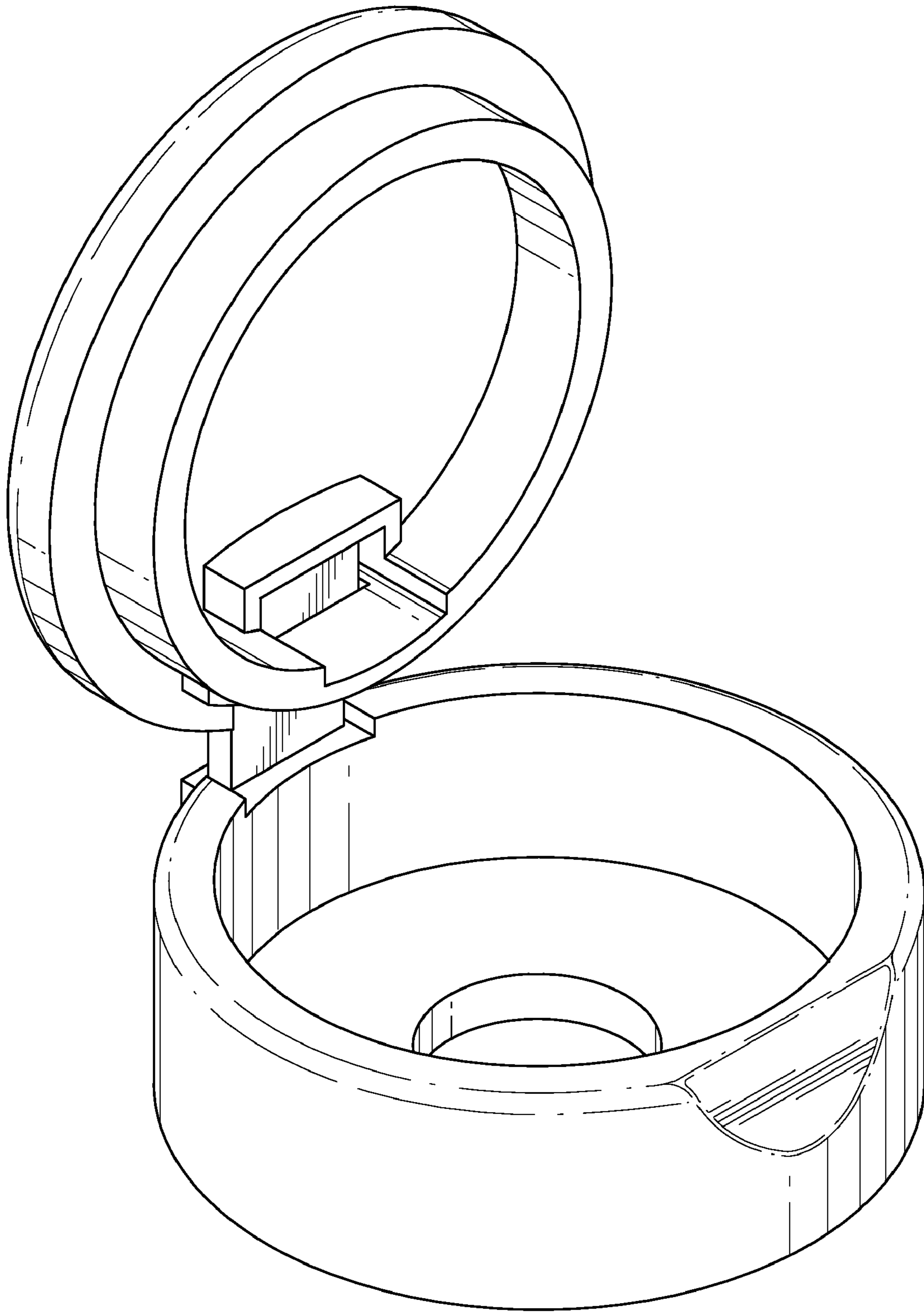


FIG. 9

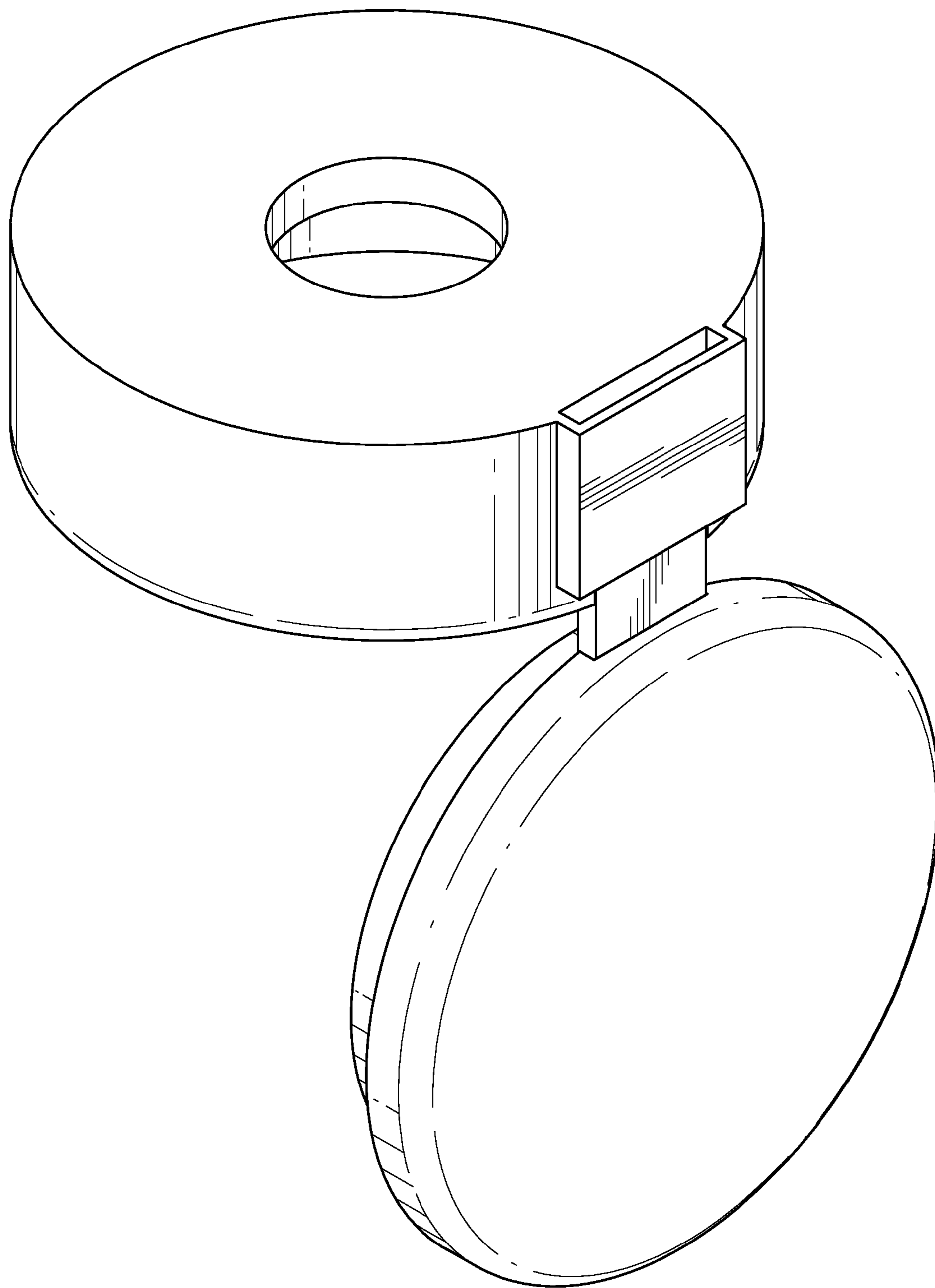


FIG. 10

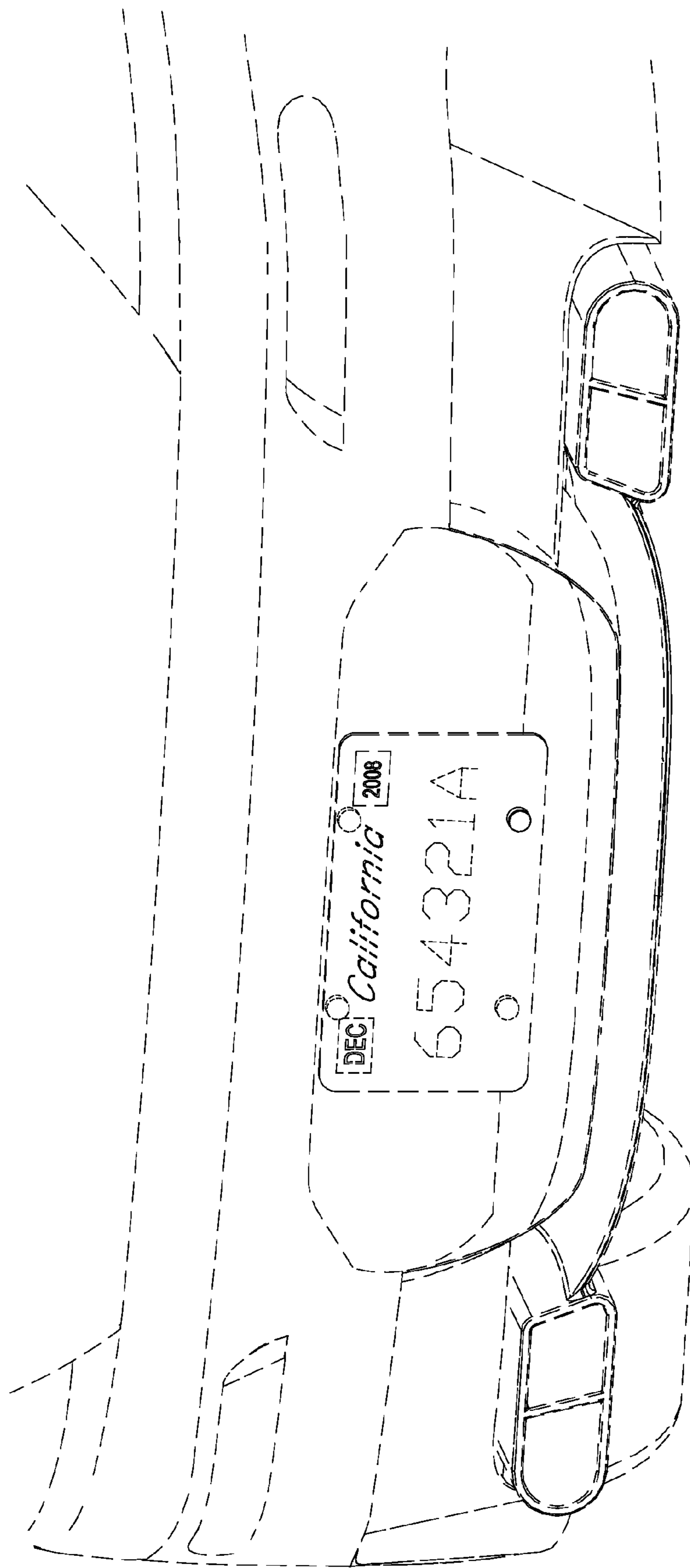


FIG. 11